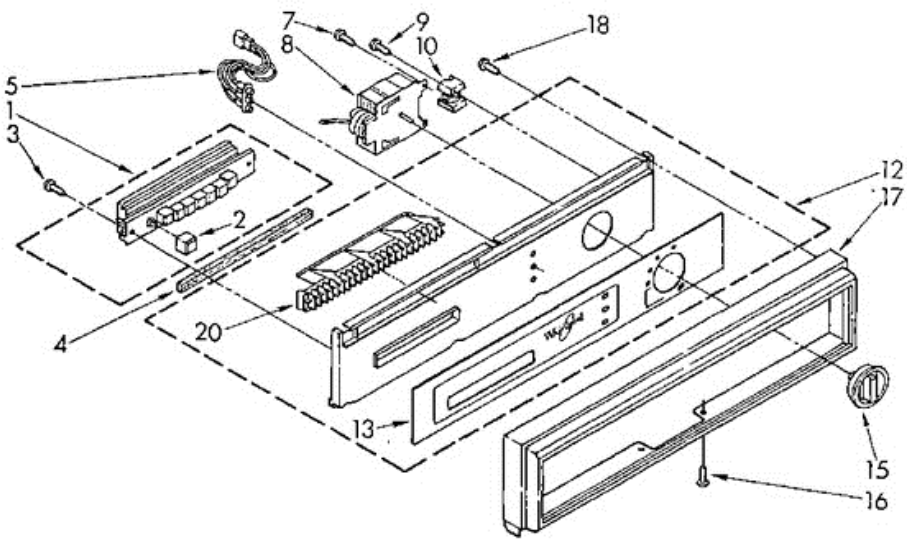


DU8000XR0 TABLERO





DU8000XR0 TABLERO

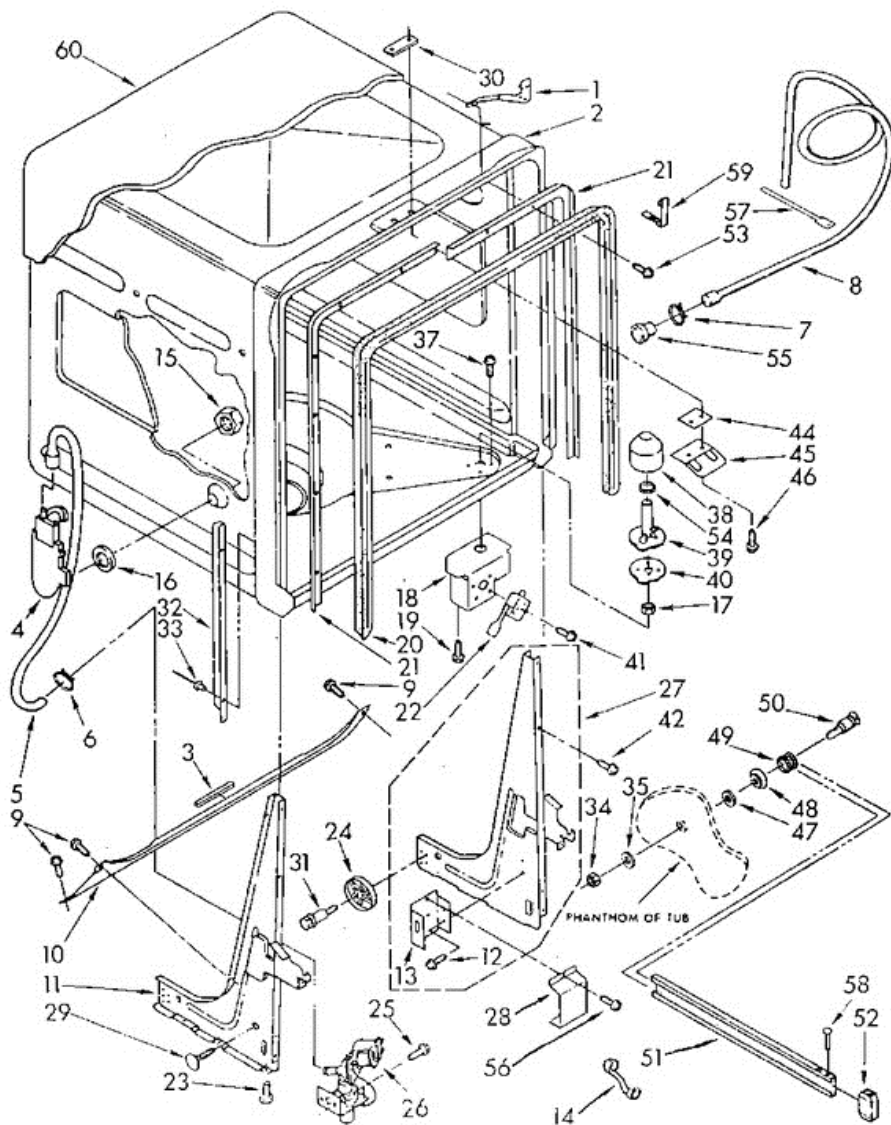
1	304453	SWITCH, PUSHBUTTON
2	304455	BUTTON (8)
3	304231	SCREW, 8-16 X 1/2 SLOT HEX WASH HD (2)
4	719860	BAFFLE
5	304423	LIGHT, INDICATOR
7	304231	SCREW, 8-16 X 1/2 SLOT HEX WASH HD (3)
8	304463	TIMER
9	304232	SCREW, 7-18 X 1-3/8 SLOT HEX WASH HD
10	304658	RELAY, START
12	304533	CONSOLE
13	304544	INSERT, DECORATIVE
15	304435	KNOB, TIMER
16	688983	SCREW, 8-18 X 5/8 PHLPS TRUSS HD HI-LO (2)
17	304396	BEZEL, CONSOLE
18	304651	SCREW, 8-18 X1/2 PHLPS, TRUSS HD (4)
20	304602	GRILL, VENT

Distribuidor Autorizado

SurteRápido.com

Venta de Refacciones
Electrodomesticas

DU8000XR0 GABINETE





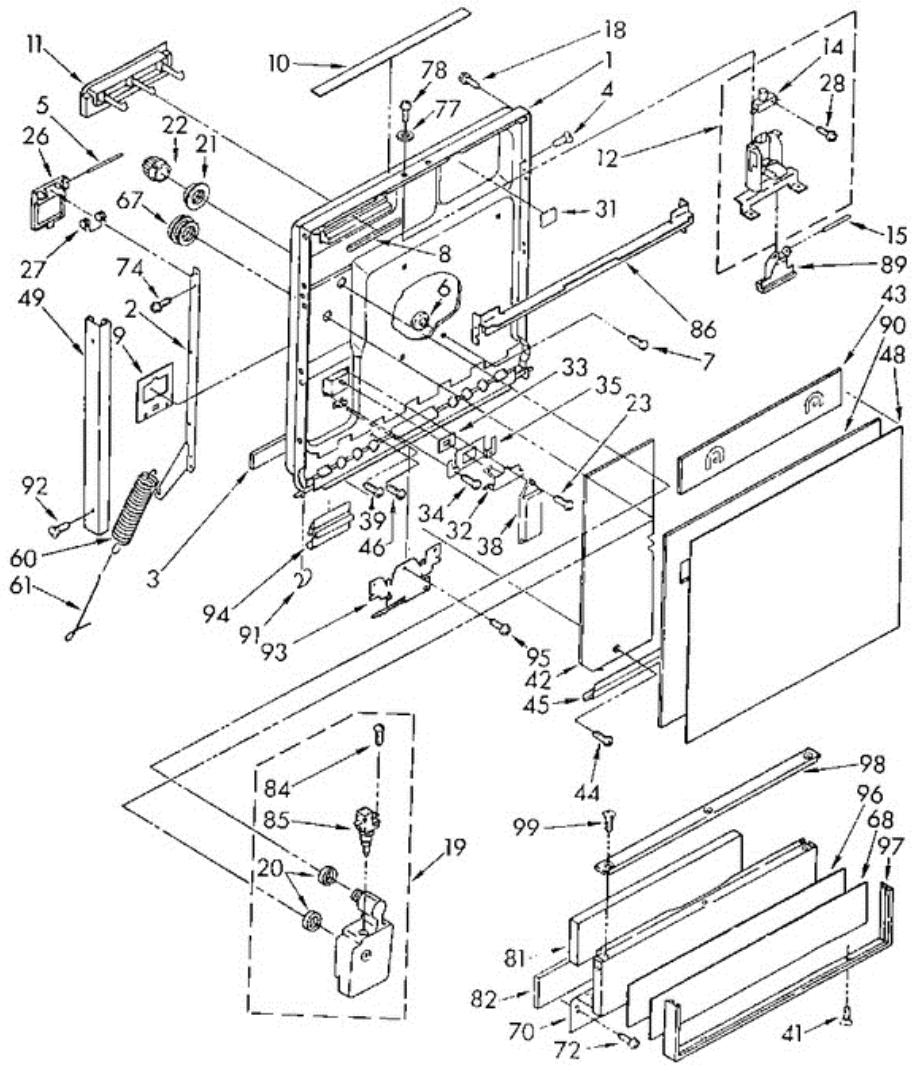
DU8000XR0 GABINETE

1	300796	BRACKET, MOUNTING (2)
2	303110	TUB ASSEMBLY
3	303294	EDGE PROTECTOR
4	300974	INLET, WATER
5	304670	HOSE, INLET
6	301958	CLAMP
7	356138	CLAMP, HOSE
8	719954	HOSE, DRAIN
9	302868	SCREW, 8A X 3/8 HEX HEAD TAPPING (4)
10	303111	BRACE
11	302822	LEG & HINGE ASSEMBLY, L.H.
12	718178	SCREW, 8-32 X 3/8
13	300067	BOX, TERMINAL
14	717563	RELIEF, STRAIN
15	713799	NUT, 7/8-16 POLYPROPYLENE (1)
16	713878	GASKET
17	717488	NUT, 1/8 SELF-THREADING (1)
18	719342	BRACKET, OVERFLOW
19	718250	SCREW, 8 X 1/2 HI-LO BLUNT POINT (3)
20	302090	GASKET (ALTERNATE)
20	302091	GASKET (ALTERNATE)
21	302093	RETAINER (R.H.)
21	302094	RETAINER (L.H.)
22	301671	SWITCH, PRESSURE (ALTERNATE)
22	301672	SWITCH, PRESSURE (ALTERNATE)
22	304589	SWITCH, PRESSURE (ALTERNATE)
23	302849	LEVELING LEG
24	302819	WHEEL, LEG
25	90767	SCREW, 8A X 3/8 HEX HEAD TAPPING (2)
26	300453	VALVE, WATER INLET (ALTERNATE)
26	303650	VALVE, WATER INLET (ALTERNATE)
27	302823	LEG & HINGE ASSEMBLY, R.H.
28	300068	COVER, TERMINAL BOX

29	304666	RETAINER
30	303080	NUT, TWIN SPRING
31	302818	SCREW, SHOULDER
32	304662	RETAINER, SOUND SHIELD
33	304665	RIVET
34	718829	LOCKNUT, 10-32 (8)
35	717624	WASHER (8)
37	717236	SCREW, 8-18 X 1/2 PAN HEAD TAPPING (1)
38	718035	FLOAT
39	719967	STANDPIPE, OVERFLOW
40	719966	GASKET, OVERFLOW
41	302203	SCREW, 4-40 X 5/8
42	90767	SCREW, 8A X 3/8 HEX HEAD TAPPING\ \GROUND (2)
44	712302	SHIM
45	300233	STRIKE
46	9416643	SCREW, 10-12 X 1/2 (2)
47	718750	WASHER (8)
48	718817	WASHER, CUP (8)
49	300844	WHEEL ASSEMBLY (8)
50	712499	SCREW, SHOULDER (8)
51	303297	TRACK (2)
52	303299	END CAP, TRACK (4)
53	719266	SCREW, 8-18 X 5/8 INDENTED HEX HEAD (10)
54	301662	GASKET (2)
55	301656	INSERT, CUP-HOSE
56	90767	SCREW, 8A X 3/8 HEX HEAD TAPPING (1)
57	596490	CLIP, STRAP
58	303298	PIN, TRACK (4)
59	301663	CLIP, GASKET
60	206922	PRIMER (WHITE)
60	261887	COFFEE (UNCUT)
60	261889	NEW AVOCADO (UNCUT)
60	261890	GOLDEN HARVEST
60	261891	GOLDEN HARVEST (UNCUT)
60	285006	PAINT, SPRAY 13 OZ. (BLACK)
60	285365	TOAST
60	285366	PAINT, SPRAY (13 OZ.) (PLATINUM)
60	285367	ENAMEL, TOAST (1 QT. UNCUT)

60	285368	PLATINUM (UNCUT)
60	304663	SHIELD, SOUND
60	350930	PAINT, PRESSURIZED SPRAY 12 OZ.) (WHITE)
60	350941	LEVELER (THINNER)
60	350956	PAINT, SPRAY 13 OZ. (ALMOND)
60	675476	VINYL TOUCH UP (BLUE)
60	675506	TINE TIP REPAIR KIT (
60	72017	PAINT, TOUCH-UP (1/2OZ.) (WHITE)
60	72107	PAINT, TOUCH-UP (1/2OZ.) (ALMOND)
60	72110	PAINT, TOUCH-UP 1/2 OZ. (HARVEST GOLD)
60	72112	PAINT, (TOUCH-UP 1/2 OZ.) (TOAST)
60	72113	PAINT, TOUCH-UP 1/2 OZ. (PLATINUM)
60	799344	PAINT, BULK (1 QT.) (WHITE (UNCUT))
60	799640	KIT, EPOXY PATCH (WHITE)
60	978883	ALMOND (UNCUT)

DU8000XR0 PUERTA



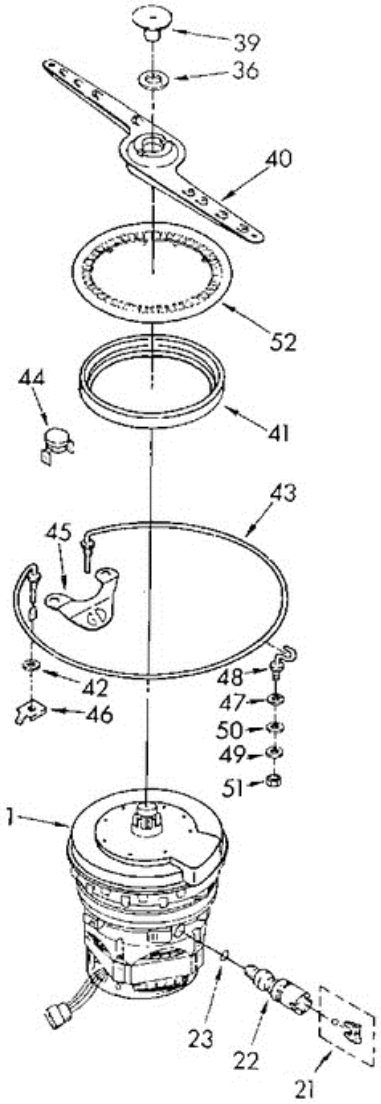


DU8000XR0 PUERTA

1	304375	DOOR, INNER
2	303196	SUPPORT DOOR (L.H.)
2	303197	SUPPORT, DOOR (R.H.)
3	717921	GASKET, DOOR
4	304392	SCREW, 8-18 X 1/2 HEX WASH HD TAPPING (2)
5	300115	PIN, LID HINGE
6	300239	BUTTON, RETAINER (5)
7	300250	SCREW, 8-18 X 3/8 HI-LO (5)
8	719860	BAFFLE
9	303978	BAFFLE
10	303498	LABEL, USERS GUIDE
11	300246	SCREEN, VENT
12	304395	LATCH ASSEMBLY
14	300232	SWITCH, INTERLOCK (ALTERNATE)
14	303075	SWITCH, INTERLOCK (ALTERNATE)
14	303885	SWITCH, INTERLOCK (ALTERNATE)
15	300234	PIN, PIVOT
18	304650	SCREW, 8-18 X 1-7/8 TRUSS HEAD TAPPING (2)
19	304442	DISPENSER, WETTING AGENT
20	713080	WASHER (2)
21	718575	NUT, 1-14 BUTTRESS THREAD (1)
22	718577	CAP
23	304231	SCREW, 8 X 1/2 HI-LO BLUNT POINT
26	300155	LID, DETERGENT DISPENSER ASSEMBLY
27	300106	SPRING, LID
28	301582	SCREW, 6-32 X 1 HEX-HEAD TAPPING (1)
31	302460	PAD, RUBBER
32	300119	LEVER, CATCH
33	300105	SEAL, LEVER
34	304231	SCREW, 8 X 1/2 HI-LO BLUNT POINT (2)
35	300104	RETAINER, SEAL
38	300109	ACTUATOR
39	304231	SCREW, 8 X 1/2 HI-LO BLUNT POINT (1)

41	302868	SCREW, 8-18 X 1/2 PHLPS HEX WASH HD TAPPING (2)
42	303906	BARRIER, DOOR
43	303908	BARRIER, CONSOLE
44	688983	SCREW, 8-18 X 5/8 (2)
45	304047	PANEL, EDGING (DOOR)
46	90767	SCREW, 8A X 3/8 GROUND (1)
48		XXPANEL, FRONT
49	304224	TRIM, DOOR (R.H.)
49	304225	TRIM, DOOR (L.H.)
60	304763	SPRING, DOOR
61	716401	RETAINER, SPRING
67	718576	CAP, DRIP
68		XXPANEL, ACCESS
70	303752	PLATE, TOE
72	302868	SCREW, 8-18 X 1/2 HEX-HEAD TAPPING (4)
74	300128	SCREW, 8-18 X 1/2 (4)
77	300237	WASHER
78	90767	SCREW, 8A X 3/8 HEX HEAD TAPPING (2)
81	304660	SHIELD, SOUND
82	304661	SHIELD, SOUND
84	304444	SCREW, 4-20 X 3/8 TORX PAN HD (2)
85	304443	ACTUATOR
86	304391	RAIL, SUPPORT
89	304407	LEVER, RELEASE
90	301957	SPACER, CORRUGATED
91	301857	CLIP, WIRE (2)
92	302251	SCREW, 8 X 1/2 (4)
93	303362	SHIELD, HARNESS
94	303121	RETAINER, CLIP
95	90767	SCREW, 8A X 3/8 HEX HEAD TAPPING
96	303755	SPACER, CORRUGATED
97	303753	TRIM, ACCESS PANEL
98	303754	TRIM, ACCESS PANEL TOP
99	302251	SCREW, 8 X 1/2 PHLPS. OVAL HD TAPPING (3)

DU8000XR0 ROCIADOR

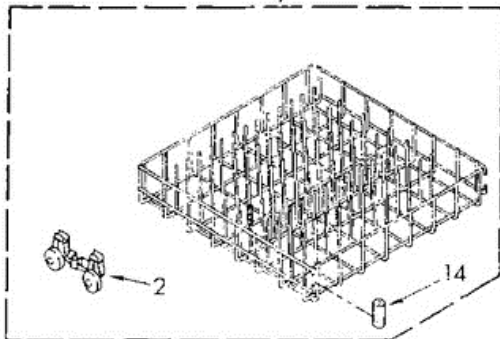
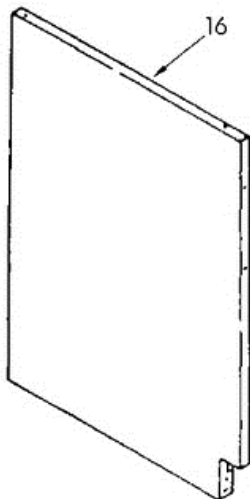
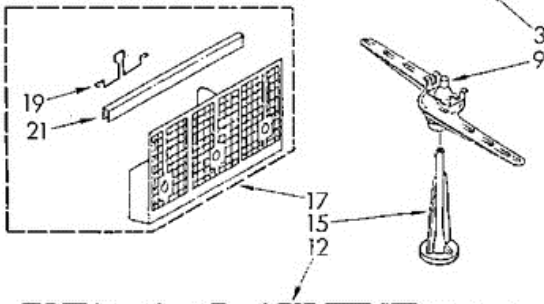
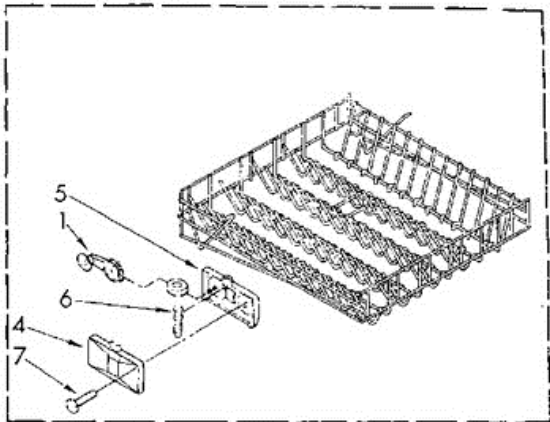




DU8000XR0 ROCIADOR

1	304599	PUMP & MOTOR ASSEMBLY (INCLUDES ILLUS. 41)
1	67548	CHECK BALL & RETAINER
22	300800	VALVE, CHECK (INCLUDES ILLUS. 21 & 23)
23	95080	``O`` RING
36	719576	BEARING, NOZZLE
39	303870	CAP, NOZZLE
40	302767	SPRAY ARM, LOWER
41	717000	GASKET, PUMP
42	717273	WASHER, RUBBER (2)
43	302113	HEATER (ALTERNATE)
43	302562	HEATER (ALTERNATE)
43	717141	HEATER (ALTERNATE)
43	719687	HEATER (ALTERNATE)
44	303282	THERMOSTAT (ALTERNATE)
44	303652	THERMOSTAT (ALTERNATE)
45	303808	BRACKET
46	718537	NUT, 7/16 X 20 (2)
47	717289	WASHER, RETAINER (2)
48	717096	SUPPORT, HEATER (2)
49	711284	WASHER (2)
50	14351	WASHER (2)
51	120614	NUT, 10-32 (2)
52	303469	GRATE

DU8000XR0 REJILLAS

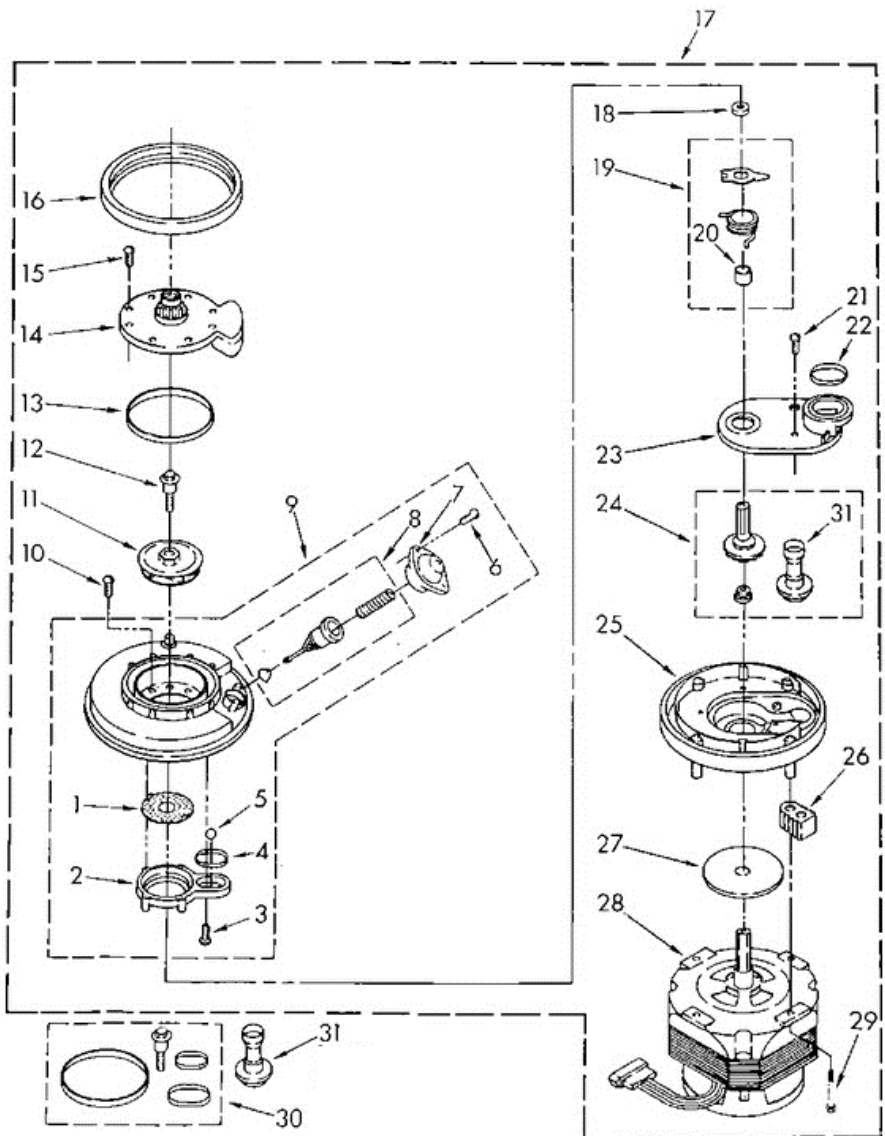




DU8000XR0 REJILLAS

1	304200	WHEEL & GEAR ASSEMBLY (4)
2	303991	WHEEL & CARRIER ASSEMBLY (4)
3	304197	DISHRACK, UPPER
4	304202	COVER, HOUSING (2)
5	304208	HOUSING, GEAR (2)
6	304203	WORM, DISHRACK (2)
7	301077	SCREW (8)
9	304204	SPRAY ARM
12	304182	DISHRACK, LOWER
14	717970	BUMPER (2)
15	304170	TOWER
16	N/A	PANEL, R.S.
17	304166	SILVERWARE BASKET
19	300086	HANDLE, BASKET
21	717528	TRIM, BASKET

DU8000XR0 MOTOR/BOMBA





DU8000XR0 MOTOR/BOMBA

1	302720	PLATE, PERFORATED (INCLUDES ILLUS. 5)
2	302726	BASE, INLET (INCLUDES ITEMS 1 & 5)
3	303573	SCREW, 8-18 X 5/8 ST. STL.
4	302710	SEAL, INLET BASE
5	302709	BALL, CHECK
6	303573	SCREW, 8-18 X 5/8 ST. STL. (2)
7	302721	COVER, VALVE
8	302738	VALVE STEM KIT (INCLUDES ITEMS 12, 13 & 22)
9	303883	SEPARATOR ASSEMBLY (INCLUDES 12, 13 & 22)
10	302717	SCREW, 8-18 X 1-5/8 ST. STL. (4)
11	303510	IMPELLER, WASH (INCLUDES ITEMS 12 & 13)
12	303516	SCREW & SEAL, 10-32 X 3/4
13	302711	SEAL, PUMP OUTLET
14	302730	OUTLET, PUMP (INCLUDES ILLUS. 13)
15	303573	SCREW, 8-18 X 5/8 ST. STL. (8)
16	717000	GASKET, PUMP
17	304599	PUMP & MOTOR ASSEMBLY
18	302707	BUSHING, GRIND
19	302718	CHOPPER KIT (ALSO ORDER ILLUS. NO. 30)
20	302705	SLEEVE, DRAIN IMPELLER
21	718258	SCREW, 8-18 X 5/8
22	302704	SEAL, DRAIN COVER
23	302723	COVER, DRAIN (ALSO ORDER ILLUS. NO. 30)
24	675514	IMPELLER, DRAIN KIT (INCLUDES ILLUS. 31)
25	675516	BASE, PUMP (INCLUDES ILLUS. 24 & 31)
26	718260	SUPPORT, PUMP MOUNTING (4)
27	303252	SLINGER (SEE NOTE A.)
28	675540	MOTOR (INCLUDES ILLUS. 24, 27 & 31) ILLUS. NO. 30)
29	301817	SCREW, 13-18 X 1-1/2
30	675505	PUMP SEAL KIT (INCLUDES ILLUS. 4, 13 & 22)
31	303918	TOOL, PUMP CENTERING (INCLUDED WITH ILLUS. 24)