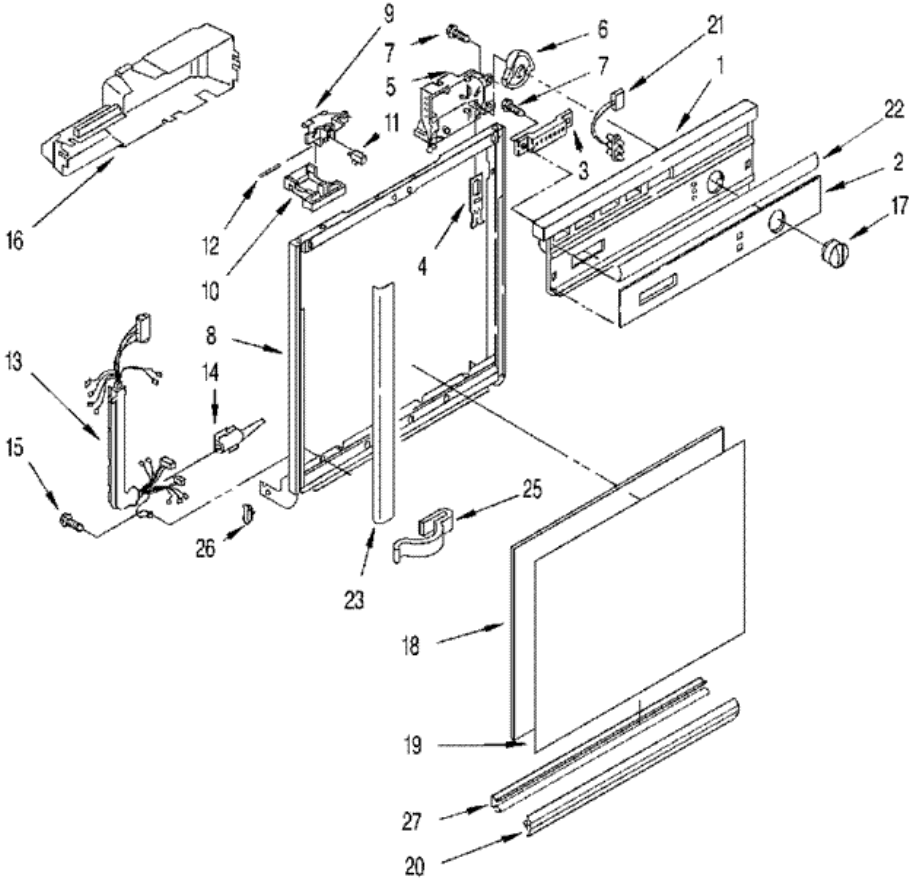


DU8700XB0 TABLERO

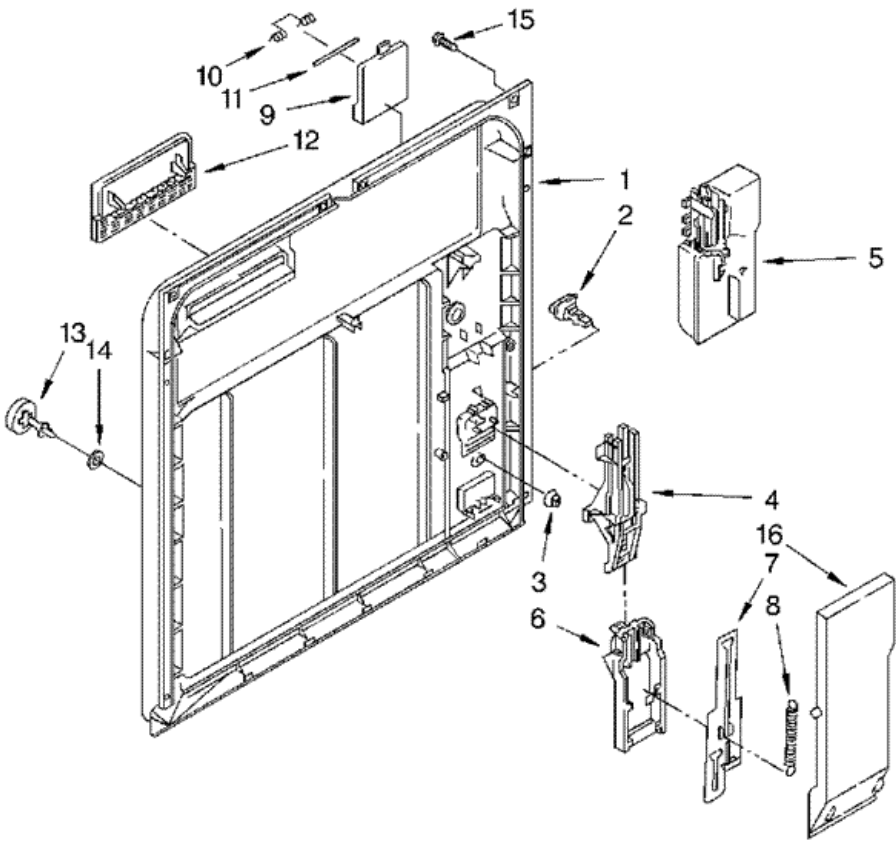




DU8700XB0 TABLERO

1	3373724	CONSOLE (INCLUDES ITEM 2) DESCONTINUADO
2	3373661	INSERT, CONSOLE (S/P)
3	3373606	SWITCH DESCONTINUADO
4	3368997	FOLLOWER, CAM (S/P)
5	3374502	TIMER DESCONTINUADO
6	3378124	CAM (S/P)
7	304231	SCREW (S/P)
8	3374711	DOOR FRAME (INCLUDES ITEM 27) (S/P)
9	3380854	BOLT, LATCH (S/P)
10	3368954	LEVER, LATCH
11	4318273	SWITCH, (2)
12	3368955	PIN, SWITCH (2) (S/P)
13	3373623	HARNESS AND PROTECTOR (S/P)
14	3376405	ELBOW, HARNESS (S/P)
15	9412221	SCREW (S/P)
16	3373367	COVER TIMER DESCONTINUADO
17	3368998	KNOB, TIMER (S/P)
18	3368979	SPACER, CORRUGATED (S/P)
19	3369516	+PANEL, FRONT ((ALMOND/BLACK)) (S/P)
20	3374010	RETAINER, PANEL (S/P)
21	3369318	LIGHT ASSEMBLY DESCONTINUADO
22	3369598	TRIM, CONSOLE DESCONTINUADO
23	3369592	TRIM (2) (S/P)
25	98997	CLIP, HARNESS (S/P)
26	3373234	BEARING, SPRING (2) (S/P)
27	4386883	CHANNEL, RETAINER (S/P)

DU8700XB0 PUERTA





DU8700XB0 PUERTA

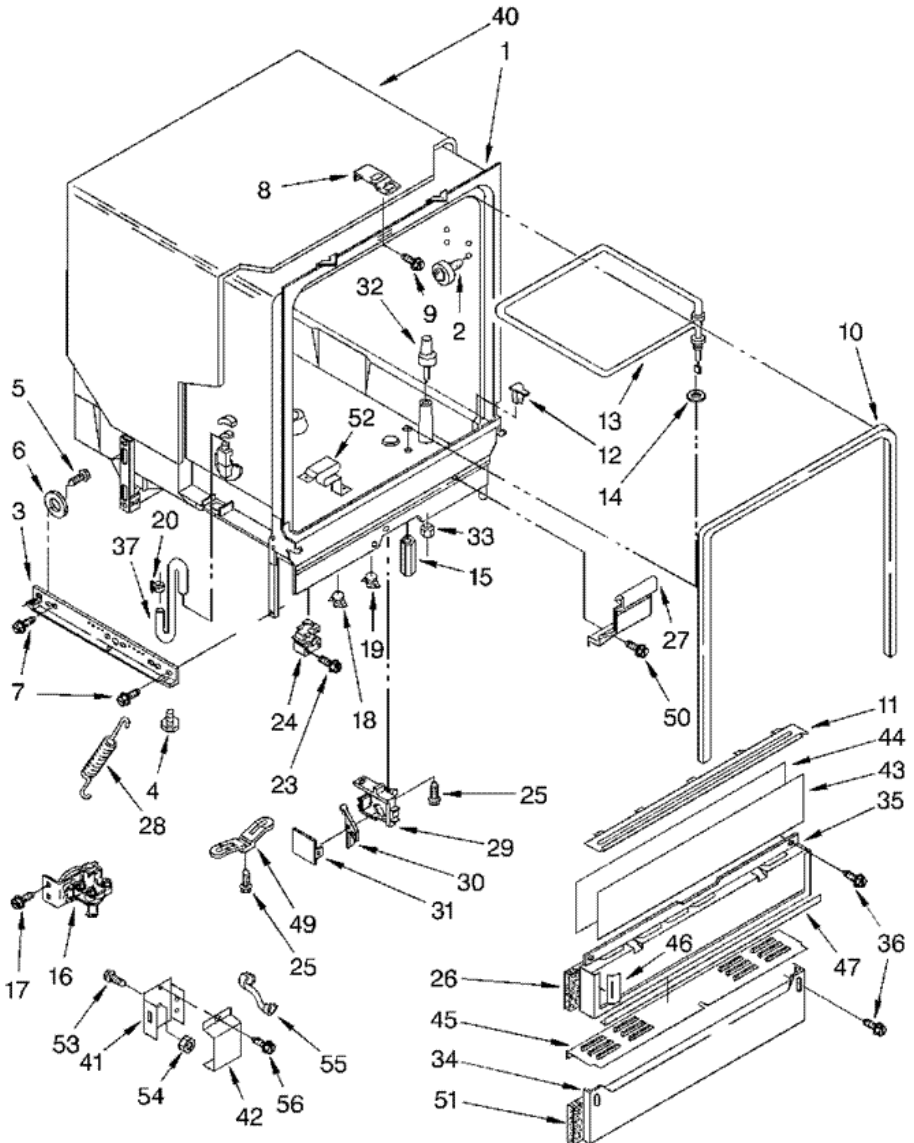
1	8051463	INNER DOOR (ALSO ORDER) (S/P)
1	676413	LATCH DOOR KIT (S/P)
2	4387043	LATCH, DETERGENT DISPENSER
3	676413	SNAP, DETERGENT DISPENSER (S/P)
4	8193646	ACTUATOR ASSEMBLY (S/P)
5	8052027	WET AGENT, DISPENSER (S/P)
6	3369000	DRAW BAR, (UPPER DISPENSER) (S/P)
7	8193646	DRAW BAR (LOWER DISPENSER) (S/P)
8	3368999	SPRING (DRAW BAR) (S/P)
9	4387043	LID ASSEMBLY
10	300106	SPRING, LID (S/P)
11	4387043	PIN, LID HINGE
12	3371710	SCREEN, VENT (S/P)
13	3378134	WET-AGENT CAP ASSEMBLY (S/P)
14	3378134	SEAL (WET-CAP) (S/P)
15	3369051	SCREW (S/P)
16	3371569	COVER, DRIP (S/P)

Distribuidor Autorizado

SurteRápido.com

Venta de Refacciones
Electrodomesticas

DU8700XB0 GABINETE





DU8700XB0 GABINETE

1	3378156	TUB ASSEMBLY DESCONTINUADO
2	3369078	TUB, WHEEL ASSEMBLY (8) (S/P)
3	3368933	RUNNER (2) (S/P)
4	8193716	LEVELER (2) (S/P)
5	3370389	SCREW, SHOULDER (S/P)
6	302819	WHEEL (2) (S/P)
7	343641	SCREW (S/P)
8	3378149	PLATE, LATCH (S/P)
9	3372029	SCREW (S/P)
10	W10082795	GASKET
11	3372412	RETAINER, ACCESS PANEL (S/P)
12	8528862	DEFLECTOR (2) (S/P)
13	3375558	HEATER DESCONTINUADO
14	717273	WASHER, RUBBER (2) (S/P)
15	3369073	NUT (2) (HEATER TERMINAL) (S/P)
16	3374621	WATER VALVE (S/P)
17	304392	SCREW (S/P)
18	3373359	THERMOSTAT, HI-LIMIT DESCONTINUADO
19	661566	THERMOSTAT (S/P)
20	596669	CLAMP (S/P)
23	3370225	SCREW (S/P)
24	3369447	RELAY (S/P)
25	304231	SCREW (S/P)
26	9743825	SOUND SHIELD (S/P)
27	3370220	SHIELD, HARNESS (S/P)
28	3374343	SPRING, DOOR (2) (S/P)
29	3369048	HOUSING, FLOAT SWITCH (S/P)
30	3369067	SWITCH, FLOAT (S/P)
31	3369049	COVER, SWITCH HOUSING (S/P)
32	3376397	FLOAT (S/P)
33	717488	NUT (S/P)
34	3379920	TOE PANEL (S/P)
35	3369193	PANEL, ACCESS (S/P)

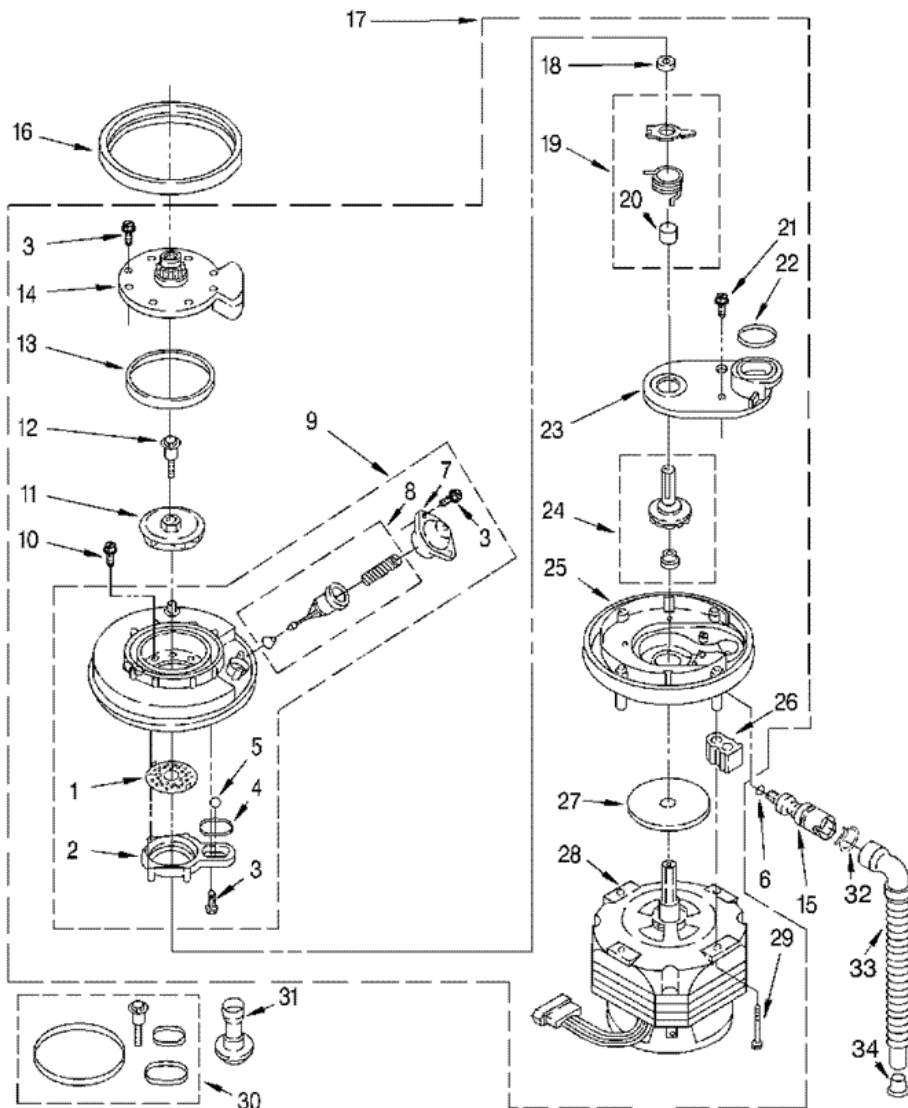
36	302868	SCREW (S/P)
37	304669	HOSE, INLET
40	4387097	SOUND SHIELD (S/P)
41	3378131	BOX, TERMINAL
42	300068	COVER ASSEMBLY, TERMINAL BOX (S/P)
43	3369527	+ACCESS PANEL ((ALMOND/BLACK)) (S/P)
44	3369526	SPACER, CORRUGATED (S/P)
45	3374728	EXTENSION (S/P)
46	3369592	TRIM, SIDE (2) (S/P)
47	3369586	TRIM, BOTTOM (S/P)
49	3370555	BRACKET, THERMOSTAT (S/P)
50	359625	SCREW (S/P)
51	9743825	SOUND SHIELD (S/P)
52	3368987	SUPPORT, HEATER (S/P)
53	3371578	SCREW (S/P)
54	488130	NUT (S/P)
55	3370307	RELIEF, STRAIN (S/P)
56	3369138	SCREW (S/P)

Distribuidor Autorizado

SurteRápido.com

Venta de Refacciones
Electrodomesticas

DU8700XB0 MOTOR-BOMBA





DU8700XB0 MOTOR-BOMBA

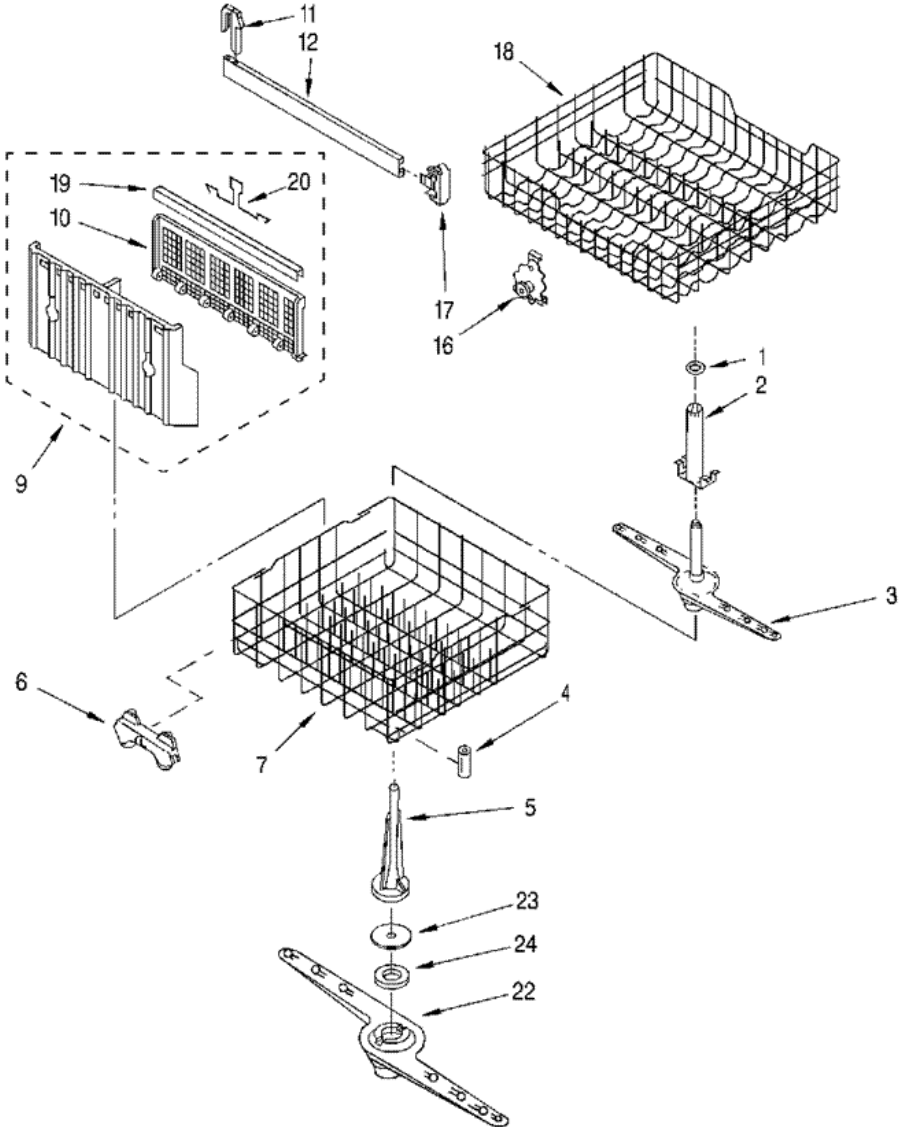
1	675497	PLATE, PERFORATED (INCLUDES ITEM 5)
2	675498	BASE, INLET (INCLUDES ITEMS 1 & 5) (S/P)
4	302710	SEAL, INLET BASE (S/P)
5	302709	BALL, CHECK (S/P)
6	357574	``O`` RING
7	302721	COVER, VALVE DESCONTINUADO
8	675496	VALVE STEM KIT (INCLUDES ITEMS 12, 13 & 22) (S/P)
9	675509	SEPARATOR ASSEMBLY DESCONTINUADO
10	9741258	SCREW (S/P)
11	675806	IMPELLER, WASH (INCLUDES ITEMS 12 & 13)
12	3371152	SCREW & SEAL, (S/P)
13	302711	SEAL, PUMP OUTLET (S/P)
14	3369478	OUTLET, PUMP DESCONTINUADO
15	675238	CHECK VALVE (INCLUDES ITEM 6) (S/P)
16	717000	GASKET, PUMP (S/P)
17	675748	PUMP & MOTOR ASSEMBLY (S/P)
18	302707	BUSHING, GRIND DESCONTINUADO
19	675806	CHOPPER KIT (ALSO ORDER ITEM 30)
20	3378139	SLEEVE, DRAIN IMPELLER DESCONTINUADO
21	9741321	SCREW (S/P)
22	302704	SEAL, DRAIN COVER (S/P)
23	675749	COVER, DRAIN DESCONTINUADO
24	675806	IMPELLER, DRAIN KIT (ALSO ORDER ITEM 30)
25	8193528	BASE, PUMP (INCLUDES ITEM 24) DESCONTINUADO
26	3367197	SUPPORT, PUMP MOUNTING (4) (S/P)
27	303252	SLINGER (SEE NOTE A.) (S/P)
28	3378053	MOTOR (INCLUDES ITEM 27)
29	3369331	SCREW (S/P)
30	675703	PUMP SEAL KIT (INCLUDES ITEMS 4, 12, 13 & 22)
31	303918	TOOL, PUMP CENTERING (S/P)
32	356138	CLAMP, HOSE (S/P)
33	3374077	HOSE, DRAIN (S/P)
34	3371748	CAP, DRAIN (S/P)

Distribuidor Autorizado

SurteRápido.com

Venta de Refacciones
Electrodomesticas

DU8700XB0 REJILLAS





DU8700XB0 REJILLAS

1	303722	CLIP (S/P)
2	3368290	SUPPORT, ARM (S/P)
3	8268829	SPRAY ARM, UPPER (S/P)
4	3385142	BUMPER (2) (S/P)
5	304170	TOWER, PRESSURE (S/P)
6	3376961	WHEEL & TRANSPORT ASSEMBLY (4) (S/P)
7	W10311986	DISHRACK, LOWER (INCLUDES ITEMS 4 & 6) (S/P)
9	3369488	SILVERWARE BASKET ASSEMBLY (S/P)
10	3369488	COVER, BASKET (S/P)
11	3374701	STOP, TRACK (2) DESCONTINUADO
12	3369071	TRACK DESCONTINUADO
16	W10204131	ADJUSTER ASSY. (S/P)
17	300845	END CAP (S/P)
18	3369903	DISHRACK, UPPER (S/P)
19	717528	TRIM, BASKET DESCONTINUADO
20	300086	HANDLE, BASKET DESCONTINUADO
22	3376848	SPRAYARM, LOWER (S/P)
23	3367910	CAP, NOZZLE
24	350942	PRIMER (WHITE) (S/P)
24	285006	SUPERIOR BLACK (S/P)
24	350941	LEVELER (THINNER) DESCONTINUADO
24	350956	ALMOND (S/P)
24	4317927	GOLD DESCONTINUADO
24	4317929	SIDE PANEL KIT (ALMOND) DESCONTINUADO
24	4317930	TOAST (S/P)
24	4318050	DOOR SPRING KIT (HEAVY DUTY) (S/P)
24	675679	TINE TIP REPAIR KIT (WHITE) (S/P)
24	676453	VINYL TOUCH-UP (WHITE) (S/P)
24	676458	TINE TIP REPAIR KIT (GREY) (S/P)
24	719576	BEARING, NOZZLE (S/P)
24	72107	ALMOND (S/P)
24	4317925	SIDE PANEL KIT: (WHITE) DESCONTINUADO
24	4317926	AVOCADO (S/P)

24	4317931	PLATINUM DESCONTINUADO
24	978883	ALMOND (UNCUT) (S/P)
24	72017	WHITE (S/P)
24	72032	BLACK (S/P)
24	786032	BLACK (UNCUT) DESCONTINUADO
24	675576	VINYL TOUCH-UP (BLUE) (S/P)
24	675677	TINE TIP REPAIR KIT (BLUE) DESCONTINUADO
24	676455	VINYL TOUCH-UP (GREY) (S/P)