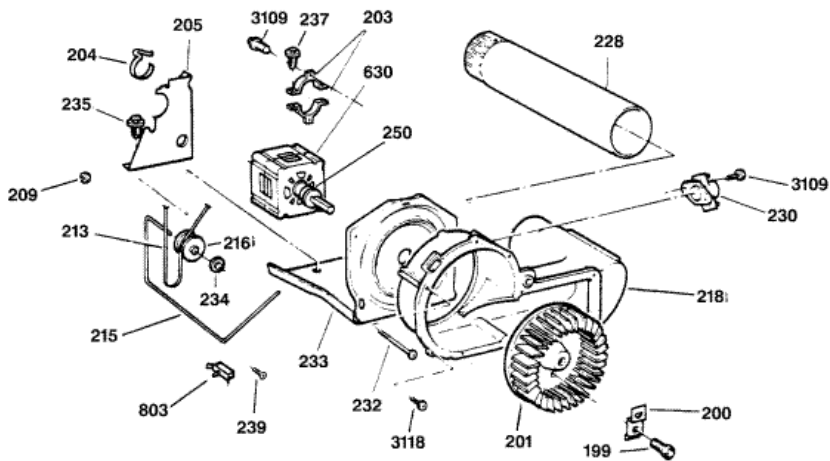
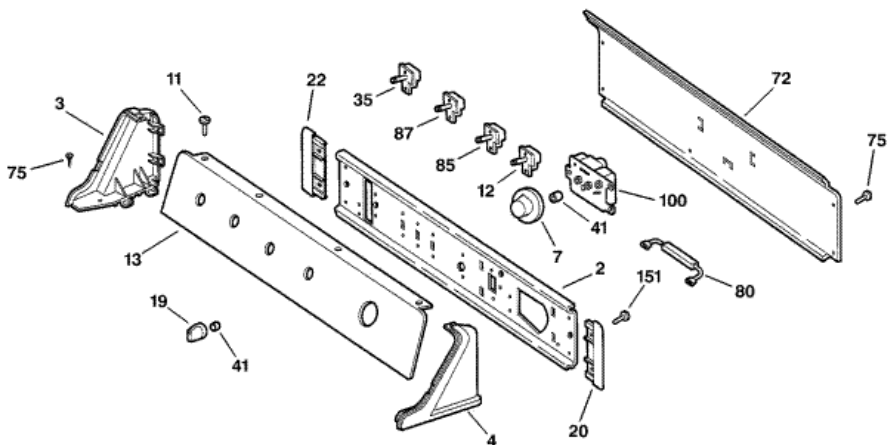


Distribuidor Autorizado

SurteRápido.com

Venta de Refacciones  
Electrodomesticas

## DWXR473ET3WW TABLERO



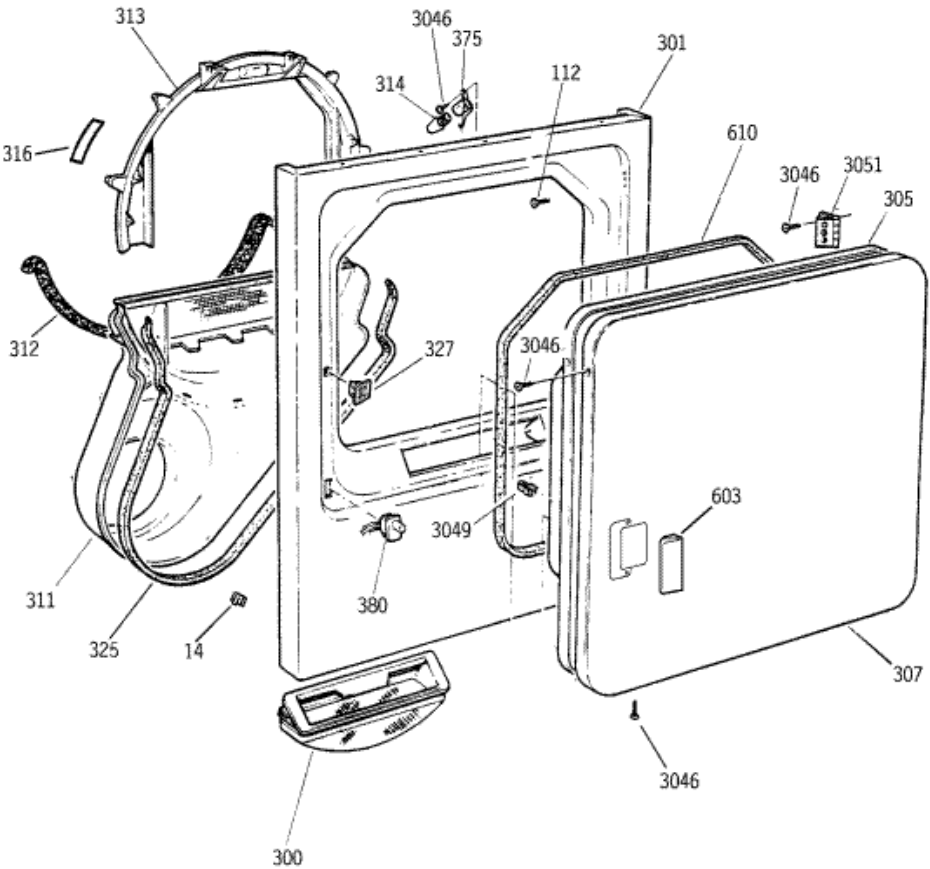


## DWXR473ET3WW TABLERO

2	WH46X10019	PLATE MOUNTING (S/P)
3	WE19M1418	END CAP LH WH (S/P)
3	WE19M984	END CAP LH AD (S/P)
4	WE19M985	END CAP RH AD (S/P)
4	WE19M1419	END CAP RH WH (S/P)
7	WE1X1263	KNOB, TIMER WH
7	WE1X1264	KNOB, TIMER AD (S/P)
11	WE1X1270	SCR 8-18 ABFLT 5/8 SN (S/P)
11	WH2X1206	SCR 8-18 AB FLT 5/8 SN (S/P)
12	WH12X1005	BUZZER (S/P)
13	WE19M915	SWITCH TRIM ASM (S/P)
13	WE19M916	SWITCH TRIM ASM (S/P)
13	WE19M923	SWITCH TRIM ASM (S/P)
19	WH1X2721	KNOB & CLIP ASM WH (S/P)
19	WE1X1208	KNOB & CLIP ASM AD (S/P)
20	WE19M988	END CAP SUPPORT RH (S/P)
22	WE19M987	END CAP SUPPORT LH (S/P)
35	WE4X881	SWITCH ROTARY START
41	WE1X980	U CLIP (S/P)
72	WE20X814	PANEL BACK (S/P)
75	WE2M173	SCREW (S/P)
80	WE4M186	RESISTOR (S/P)
85	WE4M177	SWITCH ROTARY
87	WE4M219	SWITCH ROTARY TEMP (S/P)
100	WE4M189	TIMER DRYER
151	WE2M175	SCREW (S/P)
199	WE2X280	SCR 14-10 A HX 1 S (S/P)
200	WE1X688	CLAMP
201	WE16X30	BLOWER WHEEL
203	WE13X200	STRAP MOTOR (S/P)
204	WE1X921	STRAP MOTOR (S/P)
205	WE13M39	BRACKET MOTOR (S/P)
209	WE2M165	<b>DESCONTINUADO</b>

213	134503900	BELT DRIVE
215	WE3M25	SPRING IDLER
216	WE12X83	PULLEY IDLER
218	WE14M93	HOUSING BLOWER (S/P)
228	WE14M90	ELBOW EXHAUST (S/P)
230	WE4M156	THERMOSTAT (POLY)
232	WE2M156	SCREW (S/P)
233	WE13M25	BRACKET MOTOR (S/P)
234	WE2X329	CAP NUT (S/P)
235	WE2M155	SCREW (S/P)
237	WE2M148	SCREW (S/P)
239	WE2M167	SCREW (S/P)
250	WE12X41	PULLEY DRIVE
630	WE17M22	MOTOR ASM
803	WD21X557	SWITCH INTERLOCK
3109	WE2M154	SCREW (S/P)
3118	WH2M342	<b>DESCONTINUADO</b>

**DWXR473ET3WW PUERTA**





## DWXR473ET3WW PUERTA

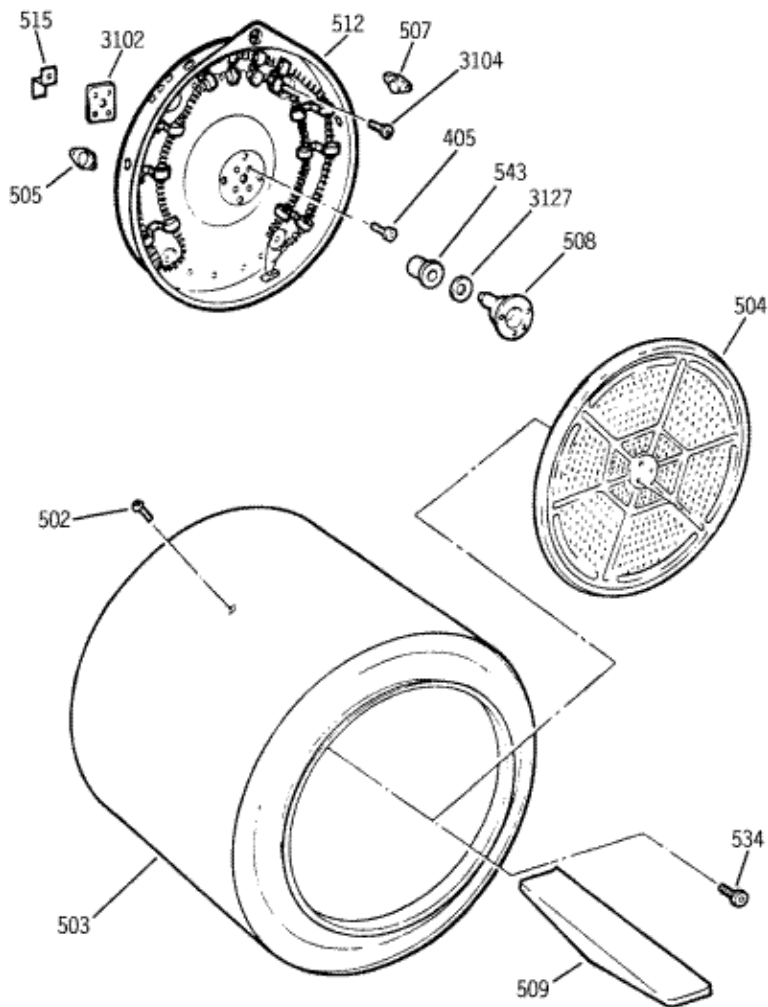
14	WE1X762	CLIP GROUNDING (S/P)
112	WR2X8693	PLUG DOOR RVSBL WH (S/P)
112	WR2X8697	PLUG DOOR RVSBL AD (S/P)
300	WE18M28	TRAP LINT
301	WE20M405	CABINET FRONT WH (S/P)
301	WE20M255	CABINET FRONT AD (S/P)
305	WE10M109	PANEL DOOR INNER WH (S/P)
307	WE10M96	PANEL OUTER WH (S/P)
307	WE10M106	PANEL OUTER AD (S/P)
311	WE14M92	DUCT AIR
312	WE9M15	FELT
313	WE3M26	BEARING DRUM
314	WE4M305	LAMP (S/P)
316	WE1M481	SLIDE DRUM (RED)
316	WE1M504	SLIDE DRUM (WH)
325	WE1M376	GASKET
327	WE1M536	LATCH (S/P)
375	WE5M48	SOCKET ASM (S/P)
380	WE4M126	SWITCH DOOR
603	WE1M482	HANDLE DOOR (S/P)
603	WE1M463	HANDLE DOOR WH
610	WE9M13	GASKET DOOR (S/P)
3046	WE2M153	SCREW (S/P)
3049	WE1X1192	STRIKE (S/P)
3051	WE1M505	HINGE DOOR (S/P)

Distribuidor Autorizado

**SurteRápido.com**

Venta de Refacciones  
Electrodomesticas

DWXR473ET3WW TAMBOR

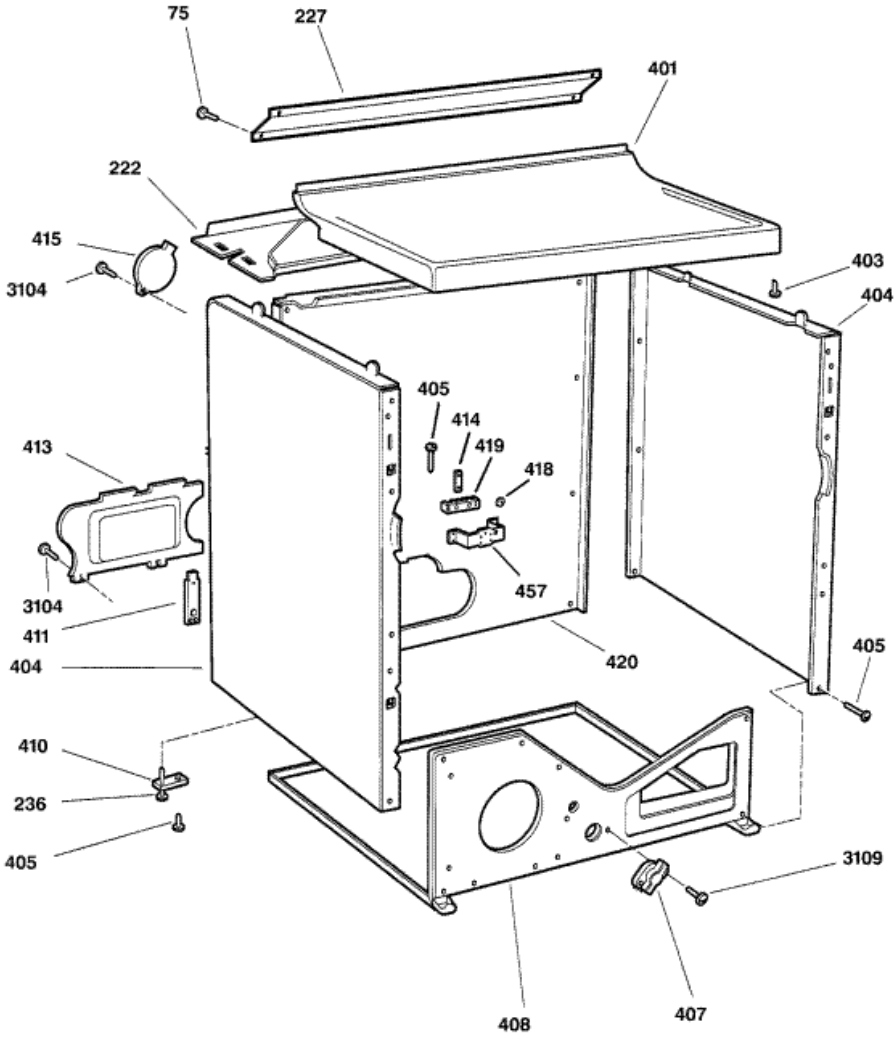




**DWXR473ET3WW TAMBOR**

405	WH2M388	SCREW (S/P)
502	WE2M174	SCREW (S/P)
503	WE21M14	DRUM (6'CU) (S/P)
503	WE21M13	DRUM (7'CU) (S/P)
504	WE14M77	DEFLECTOR HEAT (S/P)
505	WE4M0160	THERMOSTAT (S/P)
507	WE4M0137	THERMOSTAT SAFETY
508	WE25M40	SHAFT & BRACKET ASM
509	WE14M75	BAFFLE DRUM (S/P)
512	WE11M23	HEATER & HSNG ASM (S/P)
515	WE1X1172	GROUND STRAP ASM (S/P)
534	WE2M163	SCREW (S/P)
543	WE25M40	SLEEVE BEARING
3102	WE1M300	RETAINER BEARING (S/P)
3104	WE1M280	SCREW (S/P)
3127	WE25M40	WASHER

**DWXR473ET3WW GABINETE**







## DWXR473ET3WW GABINETE

75	WE2M173	SCREW (S/P)
222	WE20M253	COVER BOTTOM (S/P)
227	WE13M26	SHIELD (S/P)
236	WE1M368	LEVELLING SCREW (S/P)
401	WE20M286	TOP COVER WH (S/P)
401	WE20M287	<b>DESCONTINUADO</b>
403	WE2M160	SCREW (S/P)
404	WE20M260	PANEL SIDE WH (S/P)
404	WE20M261	PANEL SIDE AD (S/P)
405	WH2M388	SCREW (S/P)
407	WE4M127	THERMOSTAT (S/P)
408	WE20M398	BASE CABINET (S/P)
410	WE1M468	BRKT LVL SCREW REAR (S/P)
410	WE1M467	BRKT LVL SCREW FRNT (S/P)
411	WE1M341	<b>DESCONTINUADO</b>
413	WE1M392	PANEL ACCESS (S/P)
413	WE1M366	<b>DESCONTINUADO</b>
414	WE1X339	GROUND STRAP (S/P)
415	WE1M365	KNOCKOUT (S/P)
415	WE1M454	KNOCKOUT (S/P)
418	WZ7X31	<b>DESCONTINUADO</b>
419	WE4X168	BLOCK TERMINAL (S/P)
420	WE14M90	PANEL REAR (S/P)
420	WE20M259	<b>DESCONTINUADO</b>
457	WE1M340	BRACKET TERM BLOCK (S/P)
3104	WE1M280	SCREW (S/P)
3109	WE2M154	SCREW (S/P)