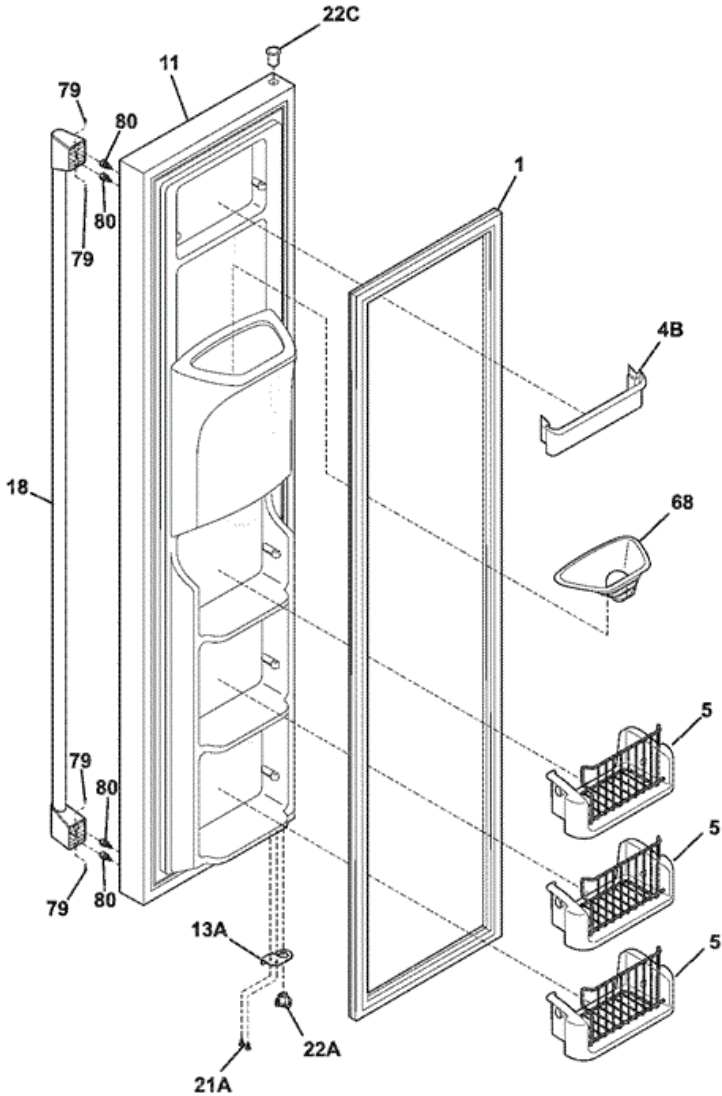


E23CS78GPS1 FREEZER DOOR

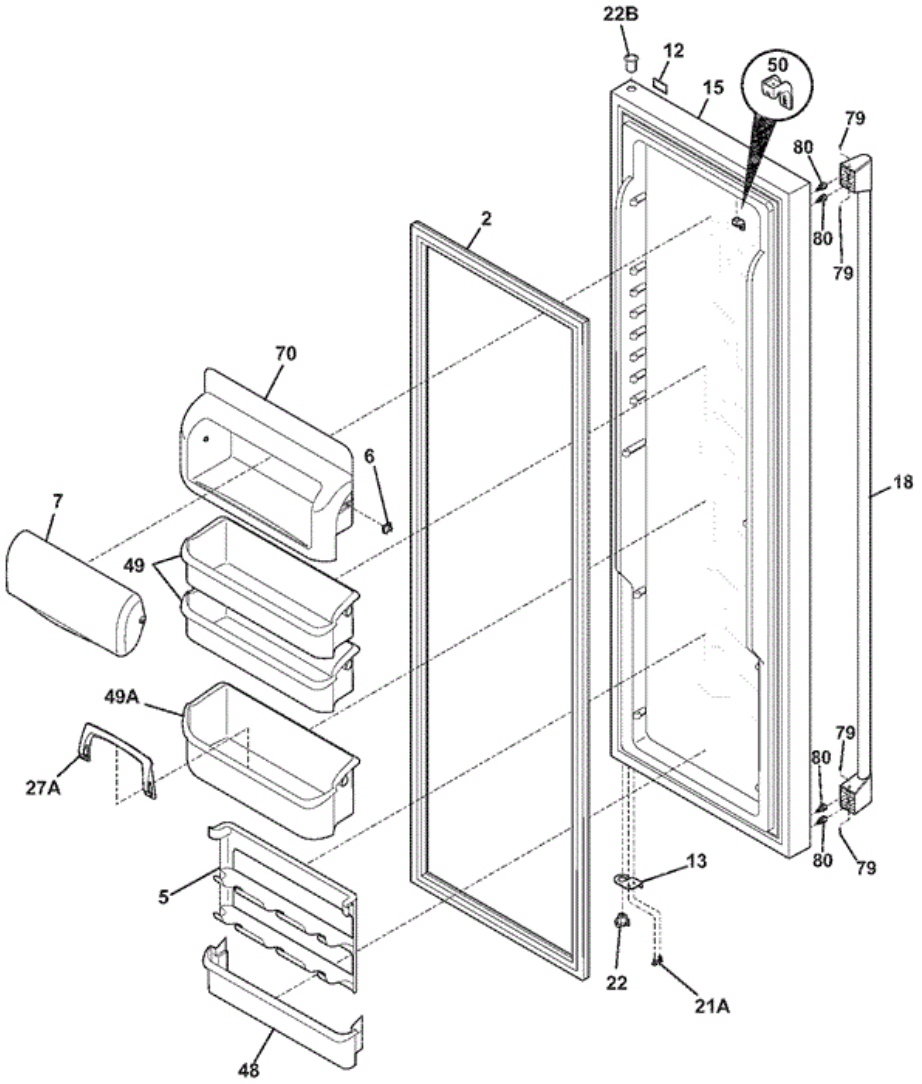




E23CS78GPS1 FREEZER DOOR

11	241615165	DOOR-FRZR,STAINLESS ,COMPLETE ASSY
13A	240581906	DOOR STOP,BLACK ,FRZR
18	241637921	HANDLE ASSEMBLY,STAINLESS ,W/ENDCAPS
21A	240598402	SCREW,10-32 X 1/2
22A	240328204	BEARING-HINGE(FRZ),BLACK ,CLOSER
22C	240328404	BEARING-HINGE,BLACK ,UPPER
4B	241511604	BIN-DOOR
5	241545006	BIN-TILT OUT,TILT-OUT
68	241525101	CHUTE-ICE
79	218755401	SCREW-SET,10-32 X 0.375
80	218755504	SCREW-SHOULDER,NO.10 AB ,HANDLE MOUNTING
F1	241510202	GASKET-FRZR DOOR,WHITE ,MAGNETIC
NI	240352102	CONNECTOR-WATER,STRAIGHT
NI	240552102	HARNESS-WIRING,DOOR
NI	241601001	WRENCH,ALLEN
NI	5303918256	DISPENSER HEATER KIT

E23CS78GPS1 REFRIGERATOR DOOR

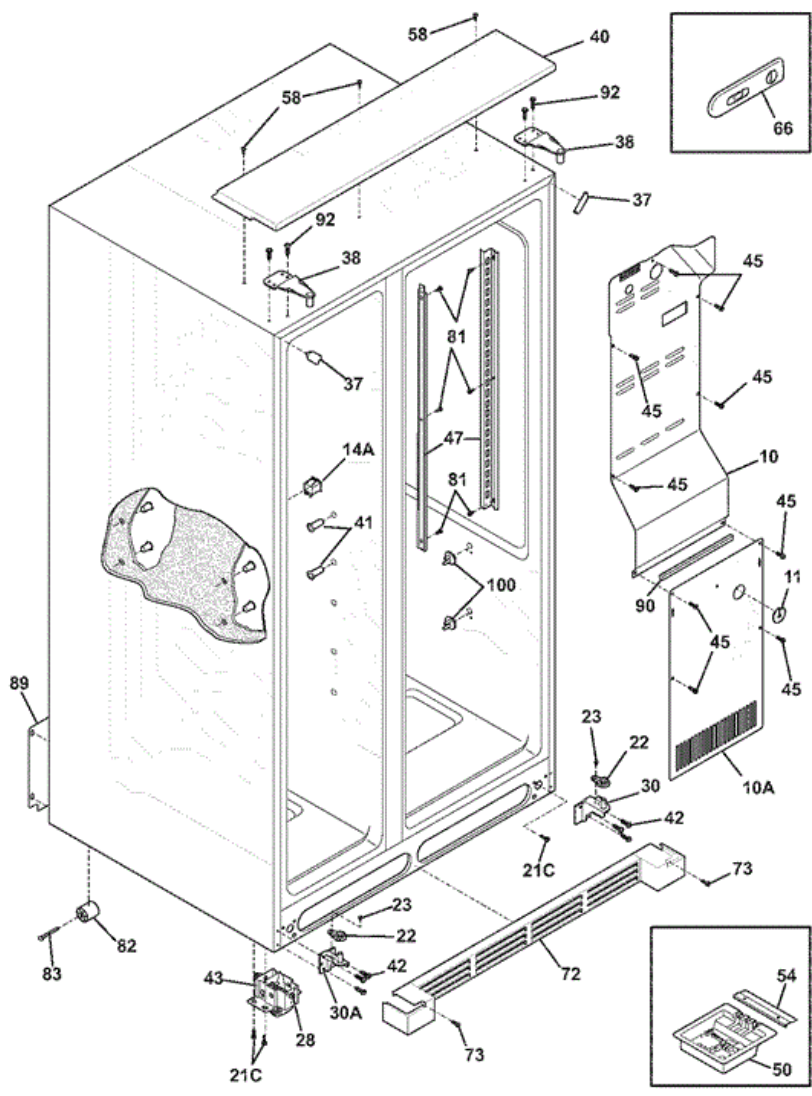




E23CS78GPS1 REFRIGERATOR DOOR

5	241516102	RACK-CAN
6	241515901	LUG-DAIRY COMPARTMENT
7	241515601	DOOR-DAIRY
12	241603101	LABEL-NAMEPLATE
13	240581905	DOOR STOP, BLACK, REF
15	241629338	DOOR-REFR, STAINLESS, COMPLETE ASSY
18	241637921	HANDLE ASSEMBLY, STAINLESS, W/ENDCAPS
21A	240598402	SCREW, 10-32 X 1/2
22	240328203	BEARING-HINGE, BLACK, CLOSER
22B	240328404	BEARING-HINGE, BLACK, UPPER
27A	240396102	RETAINER, TALL BOTTLE
48	241511705	BIN-DOOR, REF
49	241505505	BIN-DOOR, GALLON
49A	241505305	BIN-DOOR, 2-LITER
50	241508401	COVER-MAGNET
70	241515801	COMPARTMENT-DAIRY, REMOVABLE
79	218755401	SCREW-SET, 10-32 X 0.375
80	218755504	SCREW-SHOULDER, NO. 10 AB, HANDLE MOUNTING
F2	241510201	GASKET-REFR DOOR, WHITE, MAGNETIC
NI	241601001	WRENCH, ALLEN

E23CS78GPS1 CABINET





E23CS78GPS1 CABINET

10	241509804	COVER-AIR DUCT
10A	240475912	COVER-EVAP COIL,LOWER
11	241529301	PLUG-HOLE,FACTORY TEST
14A	241547901	SWITCH-LIGHT/LAMP,FRZR DOOR
21C	218252201	SCREW,NO.8 TRUSS HD ,10-32CA X 0.500
22	240457701	PLATE-DOOR CLOSER
23	240402702	SCREW-NO.10-32 X 1/4 FLAT HD
28	240335502	BOLT-ROLLER ADJ,HEX WASHER HEAD ,1/4-20 X 4.020
30	241603703	BRACKET-LOWER HINGE, REF
30A	241603704	BRACKET-LOWER HINGE
37	240337605	TRIM-CABINET CORNER,SILVER ,(2)
38	240327207	BRACKET-UPPER HINGE
40	241551304	COVER-UPPER HINGE,NICKELOID
41	241550801	GROMMET-SHELF MTG,1.40`` LONG
42	240578902	SCREW-HINGE MTG,HEX HEAD ,1/4-20 X 5/8
43	240335005	ROLLER ASSY,ADJUSTABLE ,FRONT ,(2)
45	241500303	SCREW,HEX WASHER HEAD ,8-18AB X 0.500
47	241513001	CHANNEL-SHELF MTG,SIDE ,(2)
50	241511102	BOARD-MAIN POWER
54	241532401	CHANNEL
58	241595402	SCREW-NO.10-32 X 3/4
66	241513602	DAMPER-MEAT KEEPER
72	241554708	GRILLE/KICKPLATE
73	241732101	SCREW,10-32 X 1/2
81	5304455650	SCREW,HEX WASHER HEAD ,8-15A X 0.625
82	5304418225	ROLLER,COMPRESSOR BASE ,REAR ,(2)
83	5304455655	RIVET,FLAT HEAD ,1/4 OD X 1-3/4 ,ROLLER PIN
89	241733902	COVER-ACCESS,W/LABEL
90	218249808	SEAL-COIL COVER
92	241710601	SCREW,HEX WASHER HD ,1/4 X 7/8 ,HINGE MTG
100	240350802	SUPPORT,CRISPER COVER ,REAR ,(4)
100	240423701	SUPPORT,CRISPER COVER ,FRONT ,(4)
NI	241524802	SEAL,HOUSING

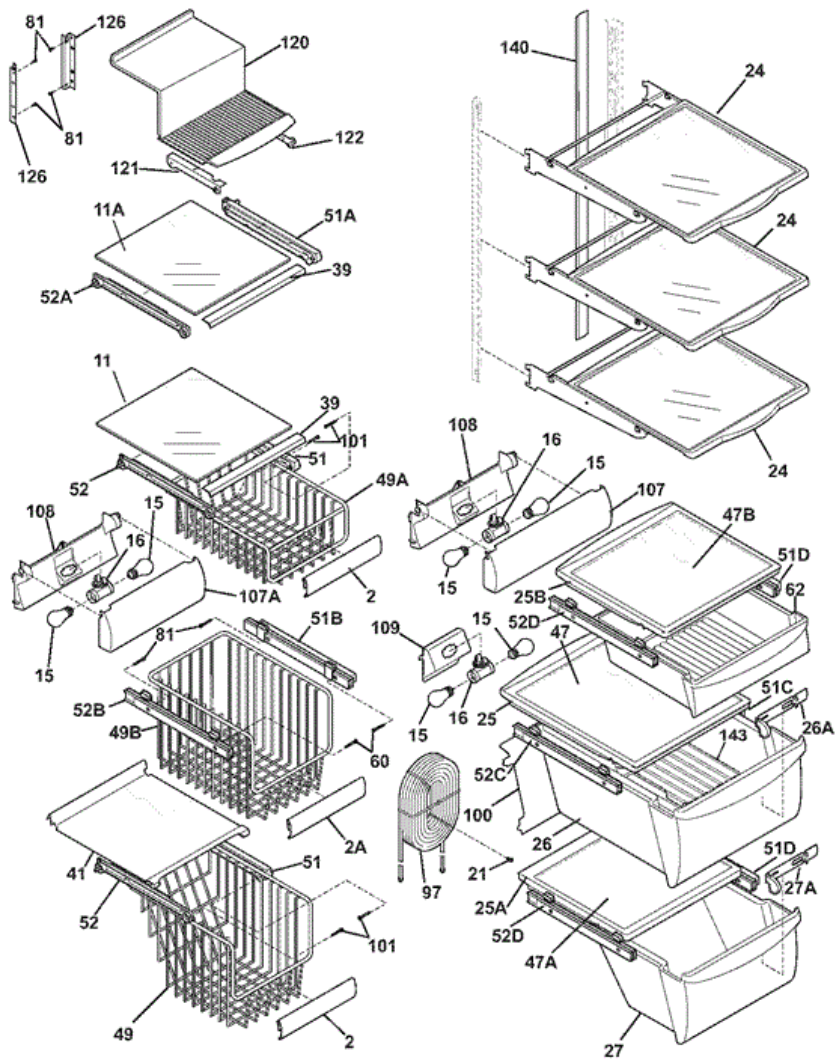
NI	241532501	CLIP-HARNESS
NI	241550701	GROMMET-SHELF MTG,..96`` LONG
NI	241591701	LOUVER

Distribuidor Autorizado

SurteRápido.com

Venta de Refacciones
Electrodomesticas

E23CS78GPS1 SHELVES



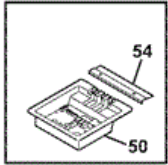
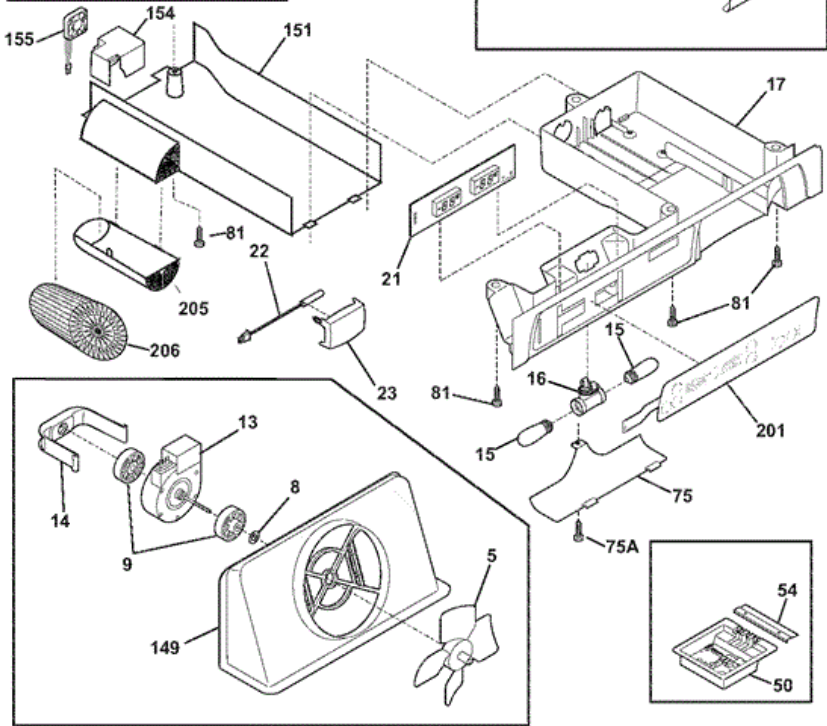
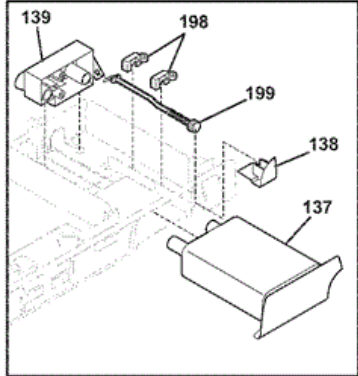
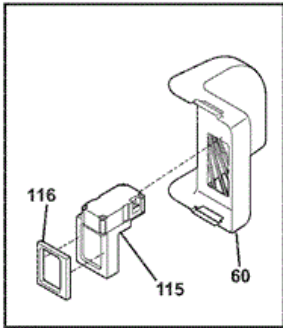


E23CS78GPS1 SHELVES

2	241539502	TRIM-BASKET
11	240443357	SHELF-FREEZER, GLASS , LOWER
15	241552801	LIGHT BULB
16	241622802	SOCKET-LIGHT
21	5304455658	SCREW, HX WSHR HD SEMS , 8-15A X 0.625 , 21
24	241753102	SHELF-`SPILL-SAFE`, CANTILEVER , SLIDING
25	241565002	COVER-CRISPER PAN, UPPER
26	240351037	PAN-CRISPER, UPPER
27	240351225	PAN-CRISPER, LOWER
39	240367604	TRIM-SHELF, FRONT
41	241637601	BAFFLE-AIR
47	240350649	INSERT-PAN COVER, GLASS
49	241541802	BASKET-SLIDING
51	241514501	HANGER-BASKET, RH
52	241514601	HANGER-BASKET, LH
60	218362501	SCREW, HEX WASHER HEAD , 8-18AB X 1.250
62	240599706	PAN-MEAT
81	5304455650	SCREW, HEX WASHER HEAD , 8-15A X 0.625
97	241532002	WATER TANK
100	241549902	COVER-WATER TANK
101	218493101	SCREW, HEX WASHER HEAD , 8-18AB X 1-3/4
107	241513402	SHIELD-LIGHT, MEAT PAN
107	241521802	SHIELD-LIGHT, FRZR
108	241513301	COVER-WIRING, CRISPER LIGHT
109	241513202	BASE-CRISPER LIGHT SOCKET
11A	240443358	SHELF-FREEZER, GLASS , UPPER
120	241691701	SHELF-ICE CREAM
121	241504701	RAIL-ICE CREAM SHELF, LH
122	241504702	RAIL-ICE CREAM SHELF, RH
126	241674401	CHANNEL, AUGER MTG , LH
126	241674402	CHANNEL, AUGER MTG , RH
140	240430505	CHANNEL, WTR TUBE COVER
143	240423305	DIVIDER-CRISPER PAN

25A	241564301	COVER-CRISPER PAN,LOWER
25B	241565701	COVER-MEAT PAN
26A	241638201	CONTROL-HUMIDITY
27A	240362201	CONTROL-HUMIDITY
2A	241539501	TRIM-BASKET
47A	240350603	INSERT-PAN COVER,GLASS
47B	240443356	INSERT-PAN COVER,GLASS
49A	241541902	BASKET-SLIDING,UPPER ,HALF
49B	241541702	BASKET-SLIDING,MID
51A	241514701	HANGER-SHELF GLASS,RH
51B	240579803	HANGER-BASKET,RH
51C	240579807	HANGER-BASKET,RH
51D	240579808	HANGER-BASKET,RH
52A	241514801	HANGER-SHELF GLASS,LH
52B	240579804	HANGER-BASKET,LH
52C	240579805	HANGER-BASKET,LH
52D	240579806	HANGER-BASKET,LH
F26A	241638101	FRAME-HUMIDITY CONTROL
NI	241510802	HARNESS-WIRING
NI	241513102	HARNESS-WIRING
NI	241768117	ENERGY GUIDE

E23CS78GPS1 CONTROLS



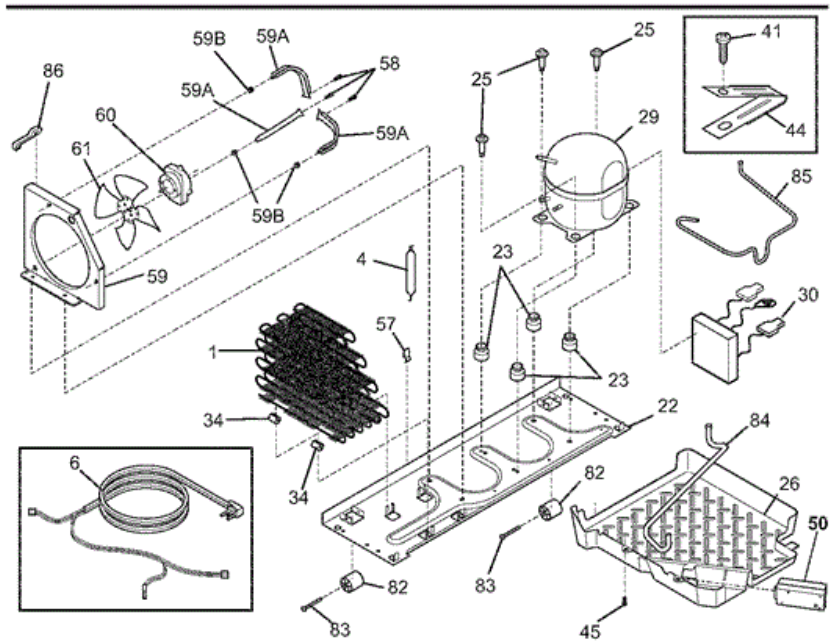
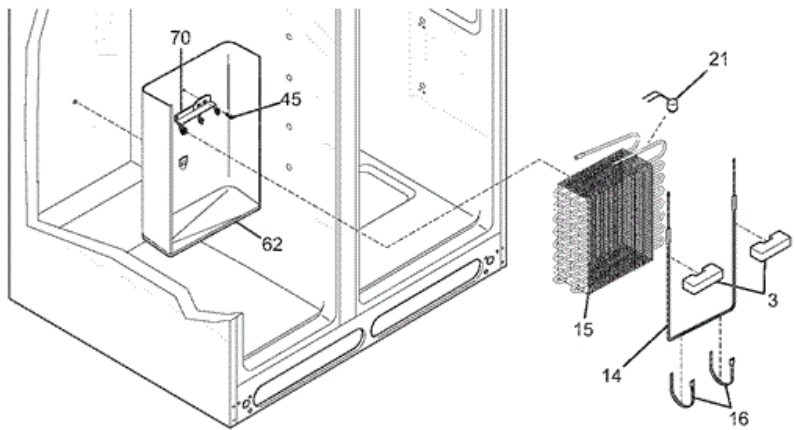


E23CS78GPS1 CONTROLS

8	215474201	WASHER, ``SLINGER`` ,NYLON ,EVAP FAN SHAFT
9	241518301	BUSHING,MOTOR MOUNTING
13	241509402	MOTOR,EVAPORATOR FAN
14	241517701	CLIP,EVAP FAN MOTOR
15	241552801	LIGHT BULB
16	241622802	SOCKET-LIGHT
17	241516202	BOX-CONTROL,FRONT
21	241528201	CONTROL-TEMPERATURE
22	240597203	SENSOR
23	241512901	COVER-SENSOR
50	241511102	BOARD-MAIN POWER
54	241532401	CHANNEL
60	241510301	DIFFUSER-AIR
75	241517802	SHIELD-LIGHT
75A	5304455650	SCREW,HEX WASHER HEAD ,8-15A X 0.625 ,
81	5304455658	SCREW,HX WSHR HD SEMS ,8-15A X 0.625 ,21
115	241518501	DAMPER,MOTORIZED
116	241518601	SEAL-DAMPER,FOAM
138	240397301	BUTTON-FILTER RELEASE
139	240396002	BASE-WATER FILTER
149	241517601	SHROUD-EVAP FAN MTG
151	241526001	FILTER HOUSING
154	241525801	DUCT-AIR
155	241526102	MOTOR-AIR FILTER
198	240397401	RETAINER
199	240397501	ROD
199	240398401	SPRING-FILTER RELEASE ROD
201	240596910	SWITCH-MEMBRANE
205	241525901	AIR FILTER DOOR
206	241504902	FILTER-AIR
F137	240396405	FILTER,WATER ,CARBON CASSETTE ,FRONT
F137	240396701	BYPASS,WATER FILTER ,OPTIONAL PART
F139	240526901	O-RING,WTR FILTER BASE

F149	241528304	SEAL,FOAM ,EVAP FAN ASSY
F155	241527202	HARNESS-WIRING,FILTER FAN
F5	5308000010	FAN BLADE,RED ,EVAPORATOR FAN
NI	241510501	SEAL-DIFFUSER
NI	241510801	HARNESS-WIRING
NI	241524802	SEAL,HOUSING
NI	241532501	CLIP-HARNESS
NI	5304455649	SCREW-TIMER MTG,PAN HD ,6-20 X 0.438 ,(2)

E23CS78GPS1 SYSTEM



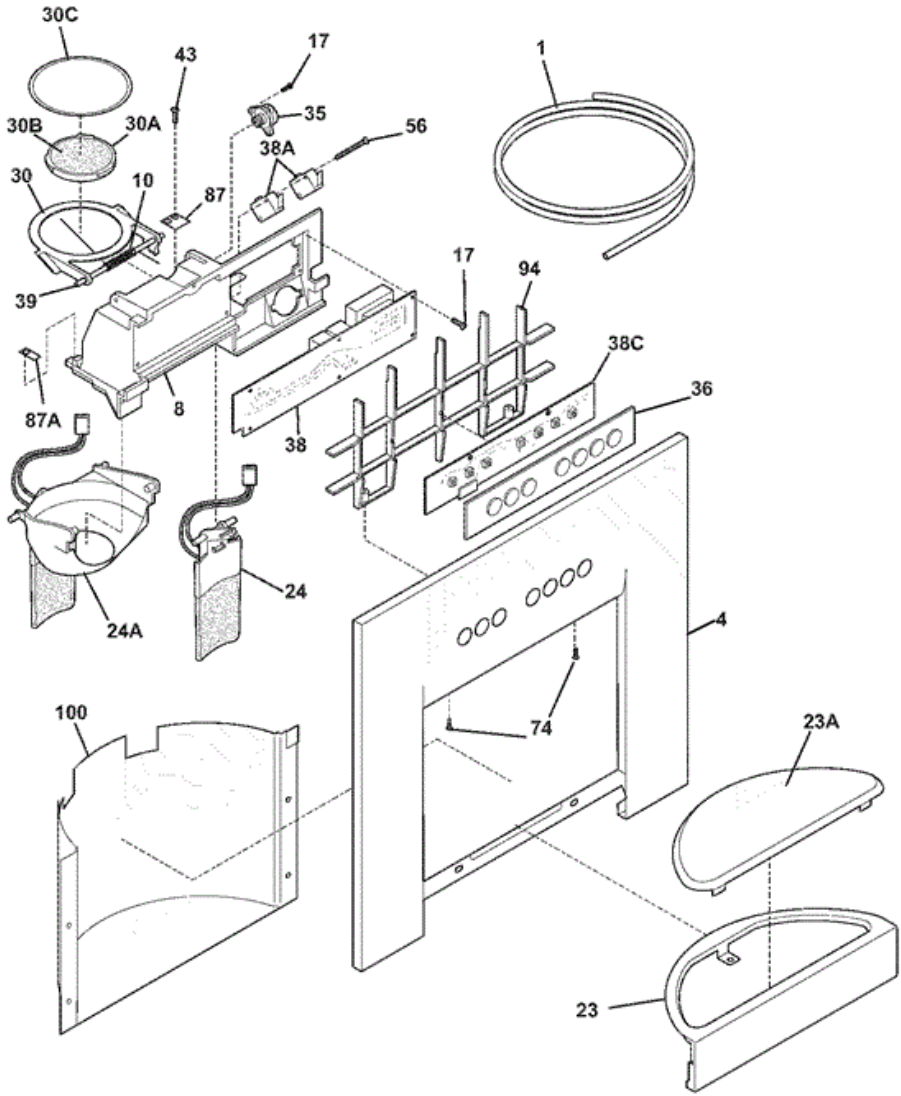


E23CS78GPS1 SYSTEM

1	240333603	CONDENSER
3	218679607	BLOCK-EVAP COIL,STYROFOAM ,(2)
6	241516901	CORD-SERVICE
16	5308000110	STRAP-EVAP/HEATER,ALUMINUM ,(2)
21	5303918214	THERMOSTAT-DEFROST,KIT
22	240330011	BASE-COMPRESSOR MTG
23	218513300	GROMMET-COMPR MTG,(4)
25	240491503	SCREW-COMPRESSOR MTG,1/4-28 X 1.16 ,(4)
26	241697501	PAN-DEFROST DRAIN
30	241577501	INVERTOR
34	240405201	GROMMET,RUBBER ,BLACK ,COND TUBE/WIRE
41	240555002	SCREW-NO.8-32 X 3/8
44	215174700	CLAMP-SERVICE CORD, STRAIN RELIEF, GALV STEEL
45	5304455650	SCREW,HEX WASHER HEAD ,8-15A X 0.625
50	241635501	HOUSING-CONTROL,APOLLO LIGHTING
57	240542601	CLIP-WIRING HARNESS
58	240433203	SCREW,HEX WASHER HEAD ,8-18 X 3/8
59	240315502	SHROUD-COND FAN
59A	240346501	BRACKET-SUPPORT,COND MTR ,(3)
59B	240346601	GROMMET-BRACKET,(3)
60	241584301	MOTOR-CONDENSER FAN
61	241639501	BLADE-CONDENSER FAN
62	240429402	TROUGH-DRAIN
70	218990801	BRACKET-EVAP/CVR MTG
82	5304418225	ROLLER,COMPRESSOR BASE ,REAR ,(2)
83	5304455655	RIVET,FLAT HEAD ,1/4 OD X 1-3/4 ,ROLLER PIN
84	5304421068	TUBE-DRAIN,LOWER
85	241719501	TUBE-CONNECTOR,SUCTION
86	240409302	SPACER-COND TUBE,BLACK
F14	240316107	HEATER-DEFROST
F15	5303918284	EVAPORATOR KIT
F29	241547601	COMPRESSOR,W/ELECTRICALS
F4	218944001	DRIER-FILTER,R134A SYSTEM

NI	218252201	SCREW,NO.8 TRUSS HD ,10-32CA X 0.500
NI	240346701	TAPE-FOAM SEAL,SHROUD
NI	240359403	SCREW-FAN SHROUD,(2)
NI	241510801	HARNESS-WIRING
NI	241510802	HARNESS-WIRING
NI	241520403	HARNESS-WIRING
NI	241527202	HARNESS-WIRING,FILTER FAN
NI	241636203	HARNESS-WIRING,MACHINE COMPT
NI	241641501	SCREW
NI	5303918222	HOT TUBE REPAIR KIT,SERVICE
NI	5303918327	HEAT EXCHANGER KIT,SUCTION LINE

**E23CS78GPS1 ICE & WATER
 DISPENSER**





E23CS78GPS1 ICE & WATER DISPENSER

1	218976409	TUBE-WATER-DOOR
4	241533207	COVER-MODULE,STAINLESS
8	241680504	MODULE-DISPENSER
10	241688901	SPRING-TORSION
17	241679801	SCREW
23	241531102	DRIP TRAY,STAINLESS
23A	241531601	DRIP TRAY INSERT
24	241685704	ACTUATOR,STAINLESS
24A	241682304	ACTUATOR-ICE,STAINLESS
30	241688401	DOOR ASSY-ICE CHUTE
30A	241688501	DOOR CENTER
30B	241688601	INSULATION-DOOR
30C	241688701	DOOR SEAL
35	241689301	DAMPER-ROTARY
36	241533501	BUTTON MODULE,STAINLESS
38	241527601	BOARD-POWER
38A	241689101	SWITCH-MICRO,SINGLE POLE ,DOUBLE THROW
38C	241527501	BOARD-CONTROL
38C	241680001	HARNESS-RIBBON CABLE
39	241688801	PIN-HINGE
43	215296301	SCREW,PLASK H/L ,NO.6 X 3/8
56	241689201	SCREW-MICRO SWITCH,PAN HEAD
74	241720001	SCREW,NO.4 HILO ,(2)
87	241688302	BEARING PLATE
87A	241688301	BEARING PLATE
94	241533301	SUPPORT,CONTROL BOARD
100	241530402	LINER,DISPEN HOUSING ,STAINLESS
NI	218515403	CLIP-GRILLE
NI	218976901	TUBE,WATER INLET ,VALVE TO IM
NI	218976903	TUBE-WATER INLET,INLET VALVE ,TO FILTER
NI	218976917	TUBE-WATER INLET,VALVE TO DOOR
NI	240363402	SCREW-NO.8-18 X 1/2,NO.6 HD PLASK
NI	240561701	SEAL-WATER INLET,INLET VALVE ,TO ICE MAKER

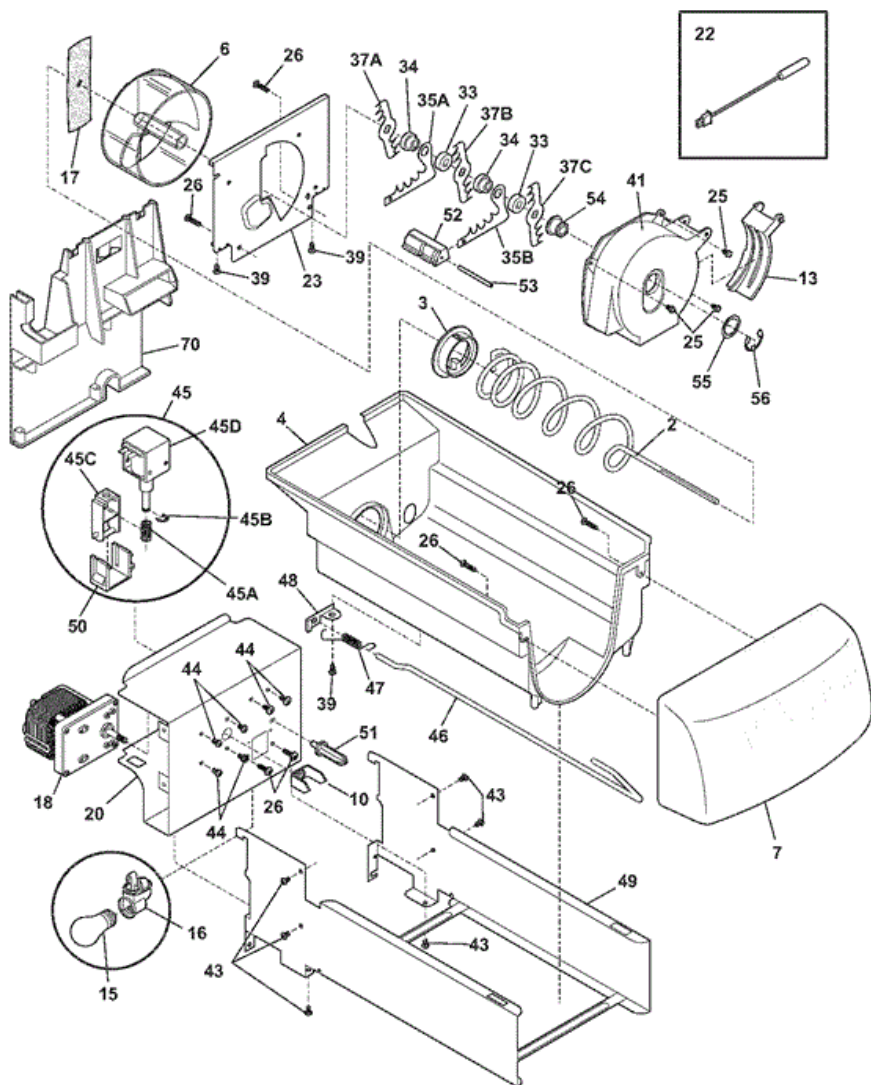
NI	241510902	HARNESS-DISPENSER
NI	241533401	SEAL,FOAM
NI	241686201	INSULATOR-ELECTRICAL
NI	5303918256	DISPENSER HEATER KIT

Distribuidor Autorizado

SurteRápido.com

Venta de Refacciones
Electrodomesticas

E23CS78GPS1 ICE CONTAINER





E23CS78GPS1 ICE CONTAINER

2	241684701	AUGER-ICE
3	241685201	CAM-DRIVE
4	241515202	ICE BUCKET ASSY
6	241685101	DRUM-ICE DISP
7	241515301	FRONT-ICE CONTAINER
10	241624801	BAR-DRIVE
13	241685301	GATE
15	241555401	LIGHT BULB
16	241559801	SOCKET-LIGHT
17	241684501	DRIVE BLADE
20	241675502	COVER-MOTOR
22	240597203	SENSOR
23	241684001	PLATE-FRONT
25	241690701	SCREW,HEX WASHER HEAD ,8-32T X 0.375
26	215503205	SCREW,CR PAN HD ,10-16 X 0.500
33	241684801	SPACER
34	241689801	SPACER
35A	241684301	FIXED BLADE,ROUND
35B	241684201	FIXED BLADE,SQUARE
37A	241684101	BLADE,CRUSHER NO.1
37B	241684102	BLADE,CRUSHER NO.2
37C	241684103	BLADE,CRUSHER NO.3
39	241690501	SCREW
41	241685601	HOUSING-CRUSHER
43	215005101	SCREW,HANGER/RLR MTG ,8-10 X 7/16
44	218359202	SCREW,PAN HEAD ,8-32 X 0.250
45A	241675901	SPRING-SOLENOID
45B	241676001	E-RING-SOLENOID
45C	241676101	ACTUATOR-SOLENOID
46	241684402	CONTROL ROD
47	241731801	SPRING-CONTROL ROD
48	241684602	BRACKET-CONTROL ROD
49	241676501	RAIL ASSY

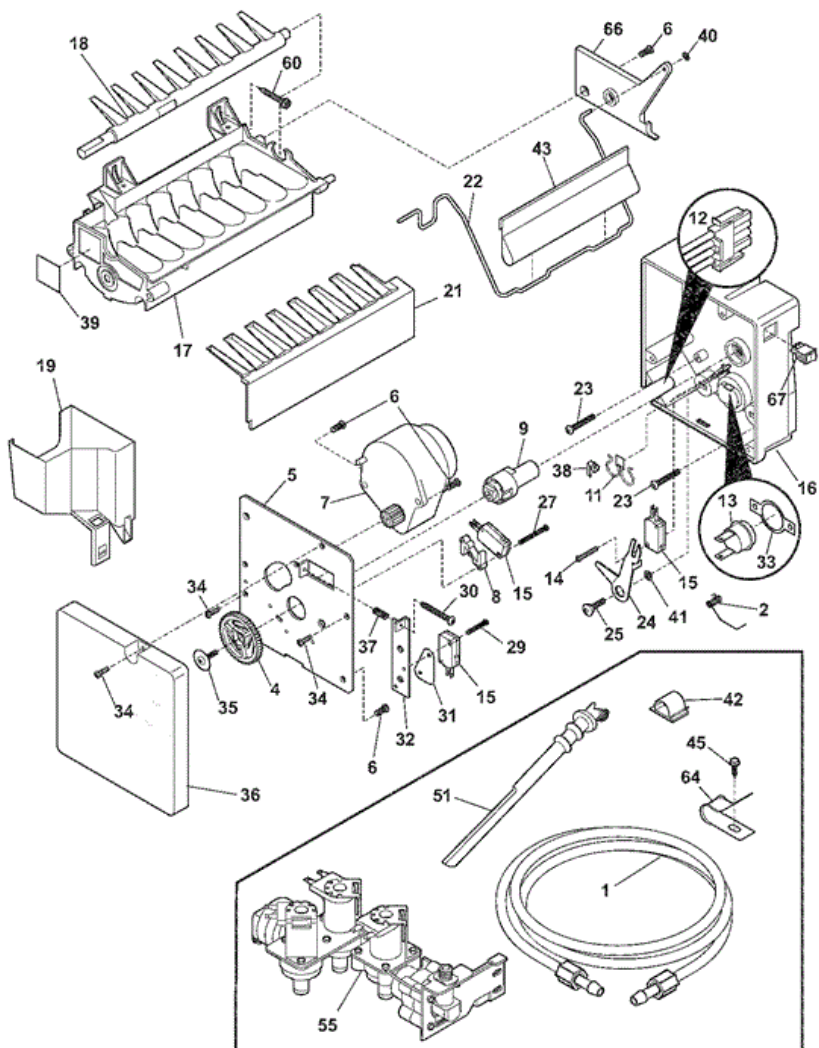
50	241675601	GUIDE-SOLENOID
51	241676301	ROTATION STOP
52	241684901	SPACER-FIXED BLADES
53	241690402	PIN-SPIRAL, FIXED BLADES
54	241685001	NUT-AUGER
55	241690306	WASHER
56	241690201	E-RING
70	241504601	PLATE-MOUNTING
F18	241676202	MOTOR-AUGER, 115V
F45	241675701	SOLENOID ASSY, 115V
F45D	241675801	SOLENOID, 115V
NI	240562101	INSULATOR
NI	241504303	ICE CONTAINER ASSY, W/MOVING PARTS
NI	241519401	CLIP, SENSOR
NI	241522901	HARNESS-WIRING, ICMKR/CONTAINER
NI	241551601	SCREW, HEX HEAD , 8-18B X 0.875
NI	241716801	CLIP

Distribuidor Autorizado

SurteRápido.com

Venta de Refacciones
Electrodomesticas

E23CS78GPS1 ICE MAKER





E23CS78GPS1 ICE MAKER

1	218976409	TUBE-WATER-DOOR
2	5304436616	SPRING,TORSION
4	5304458380	GEAR
5	5304458383	PLATE-MOUNTING
6	5304458386	SCREW
8	5304458388	SPACER-HOLD SWITCH
9	5304456662	CAM
12	5304458379	HARNESS-WIRING
13	5304456665	THERMOSTAT,ICE MAKER
14	5304458384	SCREW
16	5304458395	HOUSING,CONTROL
17	5304456669	MOLD-ICE MAKER,W/THERM CUT OFF
18	5304458377	EJECTOR-ICE
19	5304458378	CUP-WATER INLET
21	5304458390	ICE STRIPPER
22	5304458375	SHUT-OFF ARM
23	5304458394	SCREW
24	5304458391	LEVER ARM
25	5304456676	SCREW,M 4X12.8 NO.2 ,LEVER ARM/SPRT
27	5304458385	SCREW
29	5304458393	SCREW
30	5304458387	SCREW
31	5304458381	INSULATOR
32	5304456681	PLATE-VALVE SWITCH
33	5304456682	SPRING,SHUT-OFF ARM
34	5304455684	SCREW,PLAZSCREW ,8-10 X 1/2 ,(3)
35	5304456684	SCREW
36	5304458376	COVER-ICE MAKER
37	5304408583	SPRING-TIMING ADJ
38	5304458398	CLIP
39	5304458399	CONDUCTOR-HEAT
40	5304458401	CLIP-RETAINER
41	5304458389	WASHER

42	218515403	CLIP-GRILLE
43	241720601	EXTENSION
45	5304455650	SCREW,HEX WASHER HEAD ,8-15A X 0.625
51	241523502	TUBE-WATER FILL,EXTENSION
60	218362501	SCREW,HEX WASHER HEAD ,8-18AB X 1.250 ,SPACER
64	5304455846	CLAMP, .31 ID ,STEEL ,WATER TUBE
66	5304458374	BRACKET-ICE MAKER
67	5304458392	SWITCH-ON/OFF
F11	5304458400	THERMAL CUTOFF,ICE MAKER
F15	5304456667	SWITCH-MICRO,(3)
F55	240531101	VALVE-WATER,TRIPLE SOLENOID
F7	5304458382	MOTOR-ICE MAKER SVO
NI	218709101	SCREW,HEX HEAD ,10-32 X 0.500
NI	218888001	ADAPTER,WATER LINE ,W/FITTINGS
NI	218976901	TUBE,WATER INLET ,VALVE TO IM
NI	218976903	TUBE-WATER INLET,INLET VALVE ,TO FILTER
NI	218976917	TUBE-WATER INLET,VALVE TO DOOR
NI	240352102	CONNECTOR-WATER,STRAIGHT
NI	240352601	WIRING HARNESS,INTERNAL ,WITH PLUG
NI	240363602	SCREW-SHOULDER
NI	240542901	CAP-WATER VALVE
NI	240561701	SEAL-WATER INLET,INLET VALVE ,TO ICE MAKER
NI	241583301	DEFLECTOR-AIR,ICE MAKER
NI	241604801	SEAL-WATER INLET,INLET VALVE ,TO ICE MAKER
NI	241709801	ICE MAKER,RADIUS CUBE ,115 V ,NO INSTL PARTS
NI	5304455843	HARNESS-WIRING
NI	5304456689	RETAINER