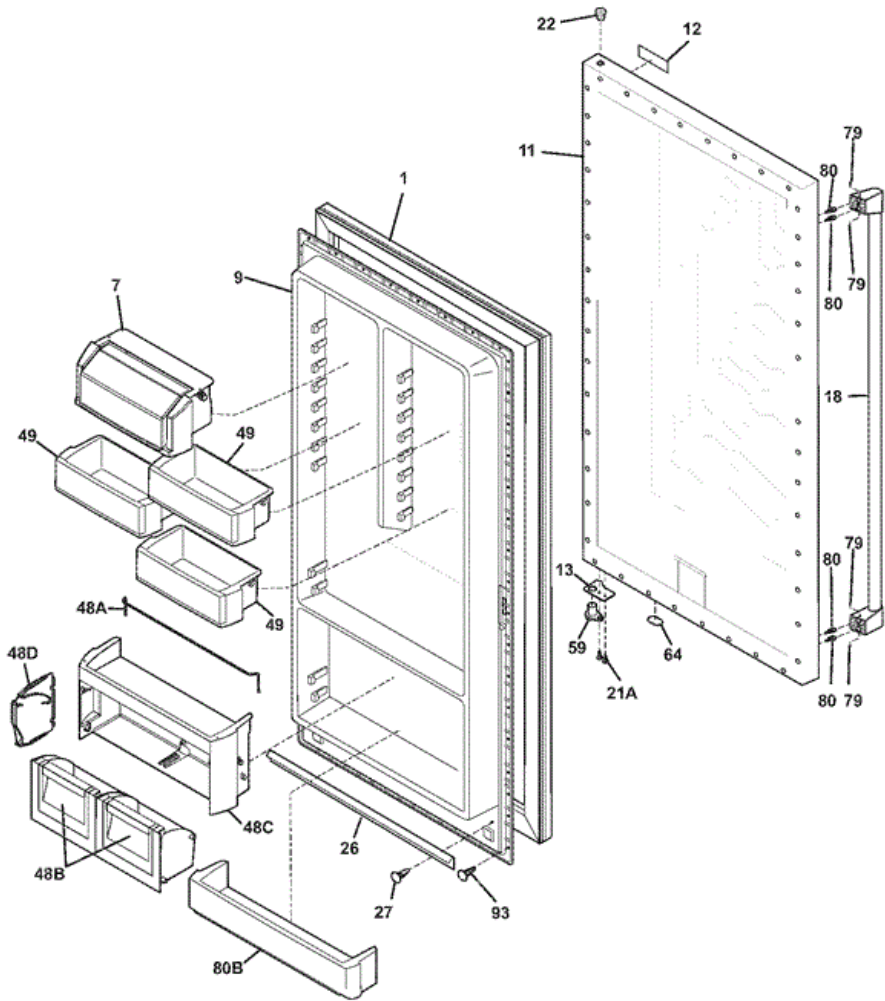


E32AR75JPS1 DOOR





E32AR75JPS1 DOOR

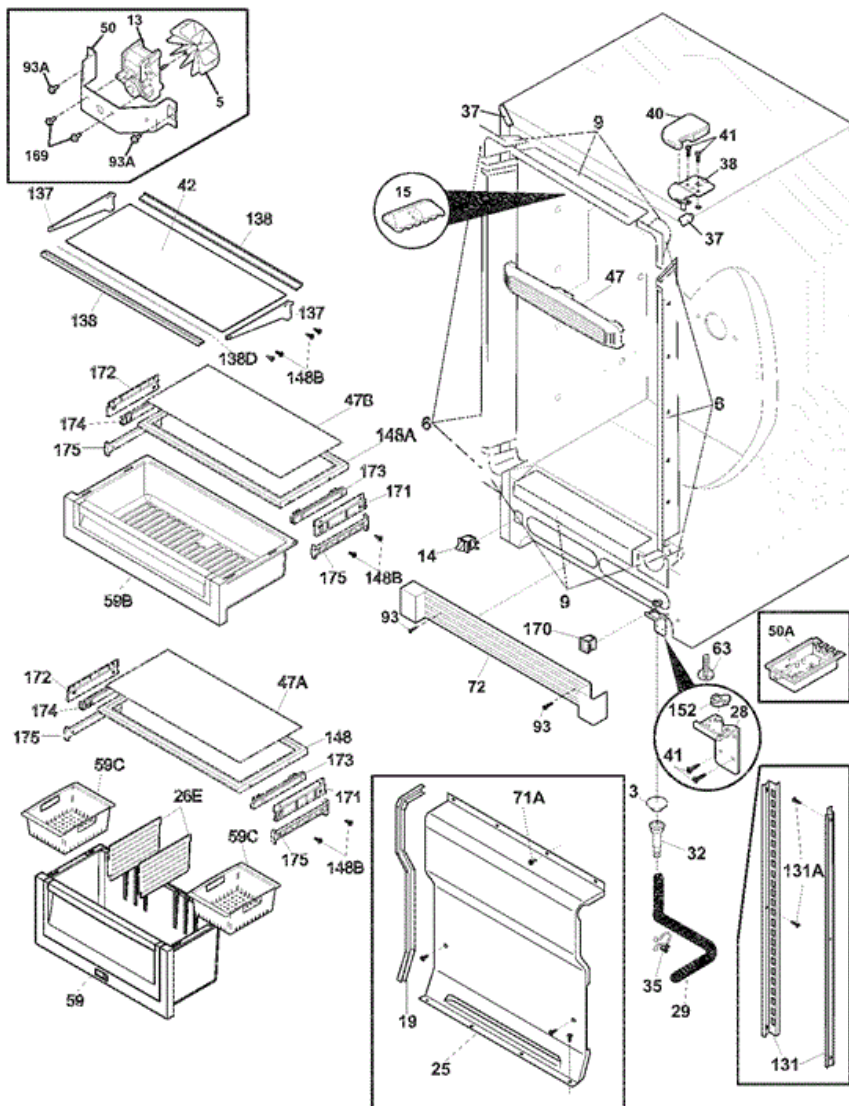
1	216522370	GASKET-DOOR,GRAY
7	297326200	DAIRY BIN,ASSEMBLY
9	297280801	PANEL-INNER DOOR,FRZR
11	297353504	PANEL-OUTER DOOR,STAINLESS
12	241603101	LABEL,NAMEPLATE ,ELUX/ICON
13	297302800	DOOR STOP ,RH
18	297330600	HANDLE ASSEMBLY,STAINLESS ,W/ENDCAPS
21A	297197500	SCREW,DOOR STOP MTG ,FH38-16X.750 ,P TWIN
22	216970801	BEARING,HINGE ,GRAY ,TOP
26	216524201	GASKET,SECONDARY
27	5304472186	CLIP,PANEL MTG
48A	297291601	WIRE
48B	297261600	BIN-DOOR,TILT OUT
48C	297261700	SHELF-DOOR,GALLON
48D	297280600	DIVIDER
49	297291700	BIN-DOOR,2-LITER
59	297302900	BEARING,DOOR STOP
64	216403701	PLUG-BUTTON,HOLE FILLER ,DOOR BASE
79	218755401	SCREW-SET,10-32 X 0.375
80	218755504	SCREW-SHOULDER,NO.10 AB ,HANDLE MOUNTING
80B	297292500	SHELF,CONDIMENT
93	216858001	SCREW,8-18X.50 AB ,NO.10
NI	240537301	NUT-ANCHOR,DOOR HDL SCREW
NI	241601001	WRENCH,ALLEN
NI	241701901	SCREW DRIVER
NI	297355300	LABEL,QUICK START
NI	5304406520	CLIP,PANEL MTG KIT ,(40)

Distribuidor Autorizado

SurteRápido.com

Venta de Refacciones
Electrodomesticas

E32AR75JPS1 CABINET



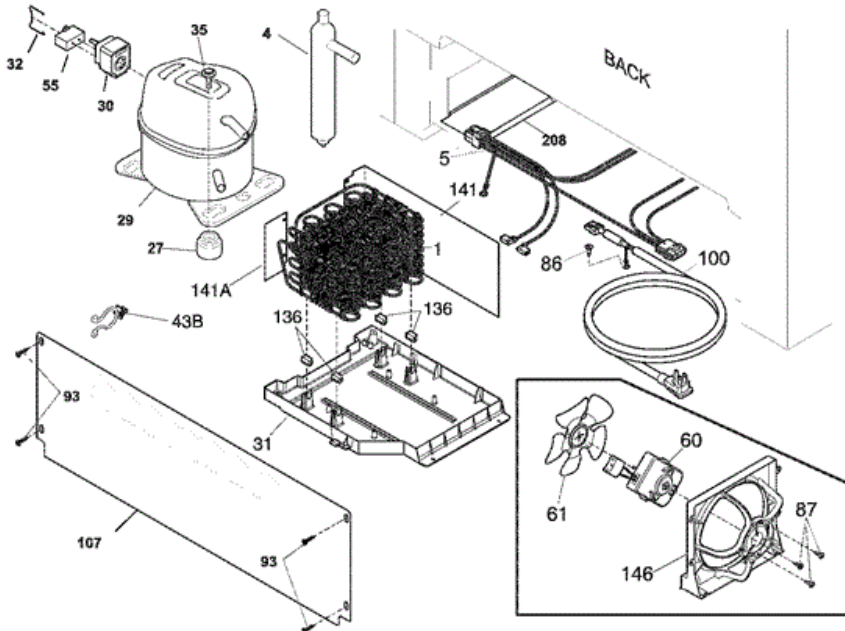
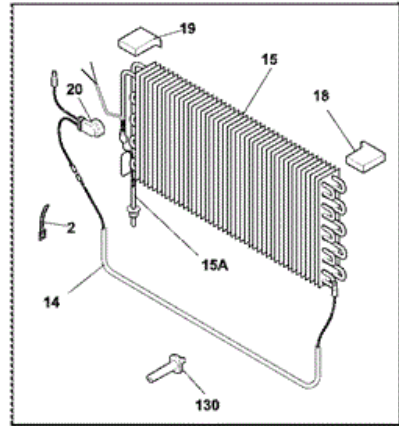
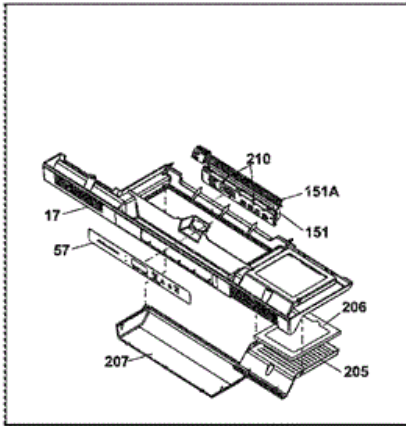


E32AR75JPS1 CABINET

3	216503100	SCREEN-DRAIN
5	297259600	FAN BLADE, EVAPORATOR
6	297200900	BREAKER KIT W/CORNERS
9	297200100	BREAKER KIT W/CORNERS, 32" , TOP AND BOTTOM
14	216822901	SWITCH, LIGHT/LAMP , RAMP
19	216204902	GASKET-EVAP COVER
25	297099255	COVER-EVAPORATOR
26E	297099400	DIVIDER-CRISPER
28	297302510	HINGE-LOWER, RH W/BEARING
29	216313501	HOSE-DRAIN
32	5308005500	DRAIN
35	216273000	CLIP, WIRE RETAINER
37	297273903	TRIM-CABINET CORNER, SILVER MIST ,(2)
38	297303900	HINGE-UPPER, RH
40	297304000	COVER-HINGE, GRAY , RH
41	297236250	SCREW, HEX HEAD , 1/4-20X5/8 , HINGE
42	297296600	SHELF-GLASS
47	297192900	BAFFLE, AIR
47A	297291300	GLASS, CRISPER COVER
47B	297291301	GLASS, CRISPER COVER
50	8013207	BRACKET FAN MOTOR
59	297259700	BIN, CRISPER , ASSY
59B	297296800	DRAWER, DELI-ASSY
59C	297260200	BIN, CRISPER , TALL
63	216396900	SCREW, LEVELING FOOT, PLASTIC, ADJUSTABLE
71A	297146820	SCREW, 8-18AB X.470 QX
72	297332100	GRILLE/KICKPLATE, 32" `
93	216858001	SCREW, 8-18X.50 AB , NO.10
131	297130200	CHANNEL-SHELF MTG, SIDE ,(2)
137	297296510	BRACKET-SHELF
138	297296300	TRIM-SHELF
148	297288800	FRAME, CRISPER-COVER
152	297302700	BEARING-HINGE

169	216912401	SCREW,HEX WASHER HEAD ,8-32 X 0.500 ,
170	297280403	VALVE,BREATHER
171	297092700	BRACKET,CRISPER COVER ,RH
172	297092701	BRACKET,CRISPER COVER ,LH
173	297291210	SLIDE,CRISPER ,RH ,W/CLIPS
174	297291211	SLIDE,CRISPER ,LH ,W/CLIPS
175	297099500	SUPPORT-CRISPER
93A	297174300	SCREW, SELF PIERCE,NO.8 ,18X.63
F13	297250000	MOTOR,FAN ,115 V
F131	297146821	SCREW,TH ,8-18X.470 AB QX ,WHITE ,(6)
F138	297350900	GASKET,SHELF
F148	297142600	SCREW,BLUNT ,8-32 X 5/8
F148	297288801	FRAME,DELI DRAWER
F15	241891103	LIGHT-LED
F50A	241852501	CLIP,WIRING HARNESS
F50A	241891605	BOARD-LED POWER
NI	216327800	CLIP,WIRE
NI	297001704	INSULATION,24` ,DRAIN TUBE
NI	297164650	BRACKET,LH LEG LEVELOR
NI	297164651	BRACKET,RH LEG LEVELOR
NI	297305500	CLIP,CRISPER
NI	297330202	ENERGY GUIDE
NI	297333510	TRIM KIT,BUILT IN ,SINGLE ,COMPLETE
NI	297333610	TRIM KIT,BUILT IN ,DUAL ,COMPLETE

E32AR75JPS1 SYSTEM





E32AR75JPS1 SYSTEM

15A	297319400	HEAT EXCHANGER
2	5308000110	STRAP-EVAP/HEATER,ALUMINUM ,(2)
17	297269000	BOX-CONTROL
18	297078701	INSULATOR-EVAP,STYROFOAM ,RH
19	297078801	INSULATOR-EVAP,STYROFOAM ,LH
20	216731001	THERMOSTAT, DEFROST
27	297293300	GROMMET,COMPRESSOR
30	216954210	CONTROLLER
31	297165800	PAN-DRAIN
32	297359700	CLIP,CONTROLLER
35	297368500	BOLT,COMPRESSOR
43B	297315800	CLIP,WIRE
55	216985001	CAPACITOR-RUN,15 MF
57	297269403	OVERLAY
61	241639501	BLADE-CONDENSER FAN
86	216036601	SCREW,RWHD ,8-32A X 0.500 ,GX-CA
87	5304463290	SCREW,HI-LO BLUNT ,NO.8-18X1/2
93	216858001	SCREW,8-18X.50 AB ,NO.10
107	297165400	SHIELD,COMPRESSOR ,COMPARTMENT
130	297244700	SUPPORT,EVAPORATOR MTG
136	240405201	GROMMET,RUBBER ,BLACK ,COND TUBE/WIRE
141	297164200	DIVIDER,AIR FLOW
146	297164000	SHROUD-FAN ORFICE
205	297294302	HOLDER,AIR FILTER
206	242047801	FILTER-AIR
207	297294501	SHIELD-LIGHT,WHITE
208	297355201	GUARD-WIRE
210	216905301	SCREW,PH 3-24X.25 ,ELECTRONIC ASSY
F1	297152200	CONDENSER,DYNAMIC
F100	297169905	CORD-POWER,ANGLED
F14	216730700	HEATER-DEFROST
F141	297194700	DIVIDER,SMALL ,AIR FLOW
F146	216337701	SCREW,HWH ,10-24 X 0.500 ,SWAGE

F15	216997300	EVAPORATOR
F151	297326501	ELECTRONIC CONTROL,ASSY
F151	297327901	HARNESS-JUMPER
F29	297068200	COMPRESSOR,W/O ELECTRICALS
F4	216938601	FILTER - DRYER
F5	297325401	HARNESS-MAIN
F60	297279500	MOTOR-CONDENSER FAN
NI	216502500	SLEEVE,SUCTION LINE
NI	240555002	SCREW-NO.8-32 X 3/8
NI	297102800	SPACER-TUBE
NI	297110400	THERMISTOR
NI	297174300	SCREW, SELF PIERCE,NO.8 ,18X.63