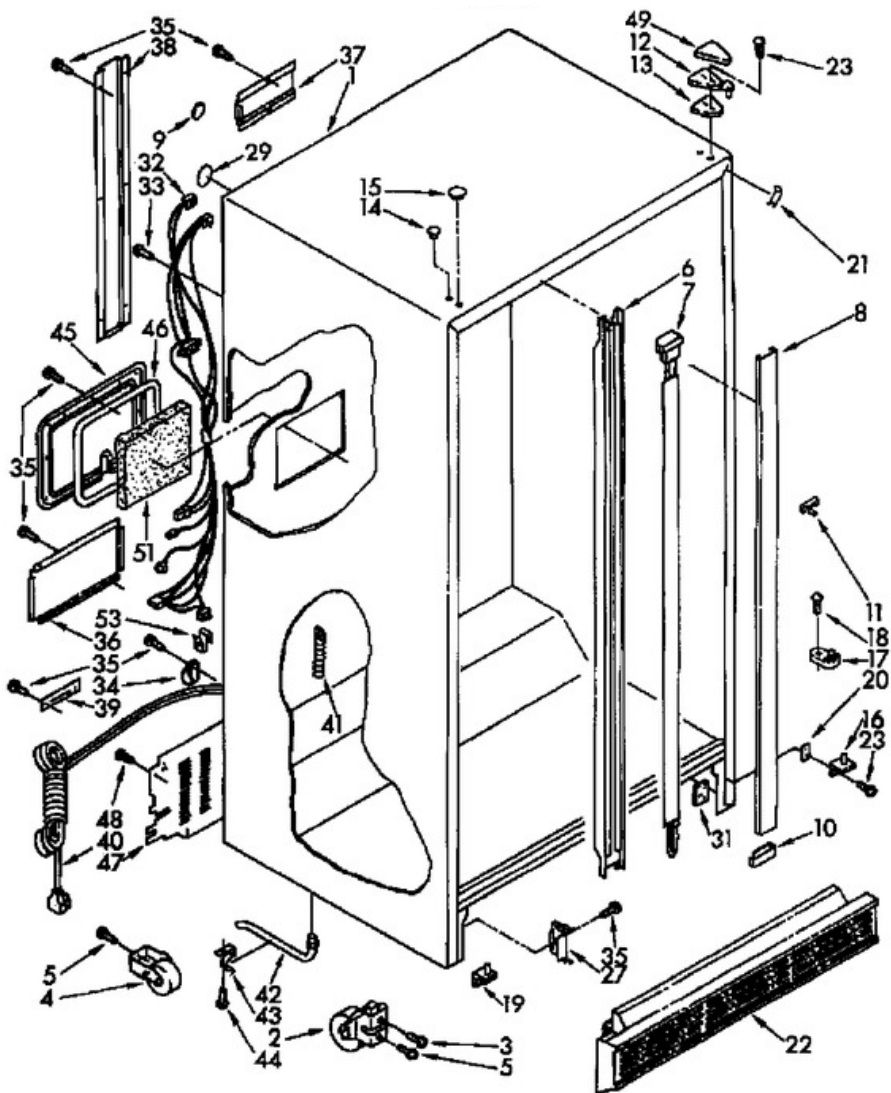


Distribuidor Autorizado

SurteRápido.com

Venta de Refacciones
Electrodomesticas

ED20PKXXN00 CABINET





ED20PKXXN00 CABINET

1	*****	CABINET (NOT A SERVICEABLE PART)
2	4386774	FRONT ROLLER (2)
3	489333	SCREW (S/P)
4	981122	ROLLER (REAR) (2) (S/P)
5	489339	SCREW, (4) 1/4-28 X 1/2 (S/P)
6	2155015	MULLION RAIL (S/P)
7	1129434	HEATER, MULLION DESCONTINUADO
8	1123966	FRONT MULLION RAIL (WHITE) (S/P)
8	1123969	FRONT MULLION RAIL (ALMOND) (S/P)
8	1123968	FRONT MULLION RAIL (GOLDEN HARVEST) (S/P)
9	2185731	HOLE SEAL DESCONTINUADO
10	1118361	FILLER BOTTOM MULLION (WHITE) (S/P)
10	1118362	FILLER BOTTOM MULLION (ALMOND) (S/P)
10	1118363	FILLER BOTTOM MULLION (GOLDEN HARVEST) (S/P)
11	1110607	CLIP, GROUND (S/P)
12	1123510	HINGE, TOP (2) (S/P)
13	1123515	SHIM, HINGE (2) (S/P)
14	849391	HOLE PLUG (WHITE) (S/P)
14	989957	HOLE PLUG (GOLDEN HARVEST) (S/P)
14	989958	HOLE PLUG (ALMOND) (S/P)
15	1115352	HOLE PLUG (WHITE) (S/P)
15	1115353	HOLE PLUG (GOLDEN HARVEST) DESCONTINUADO
15	1115354	HOLE PLUG (ALMOND) (S/P)
16	4386946	HINGE BOTTOM (R.H) (S/P)
17	2155311	DOOR CLOSER, LOWER CAM (2)
18	489358	SCREW (S/P)
19	4386946	HINGE BOTTOM (L.H) (S/P)
20	4388138	SHIM (S/P)
20	1129868	SPACER, HINGE (S/P)
21	1110710	FILLER, WRAPPER DESCONTINUADO
21	2196094	FILLER, WRAPPER (WHITE) (S/P)
21	2196095	FILLER, WRAPPER (ALMOND) DESCONTINUADO
22	1129001	GRILLE (S/P)
23	489327	SCREW (S/P)
27	2155013	CLIP, GRILLE RETAINER (2) (S/P)

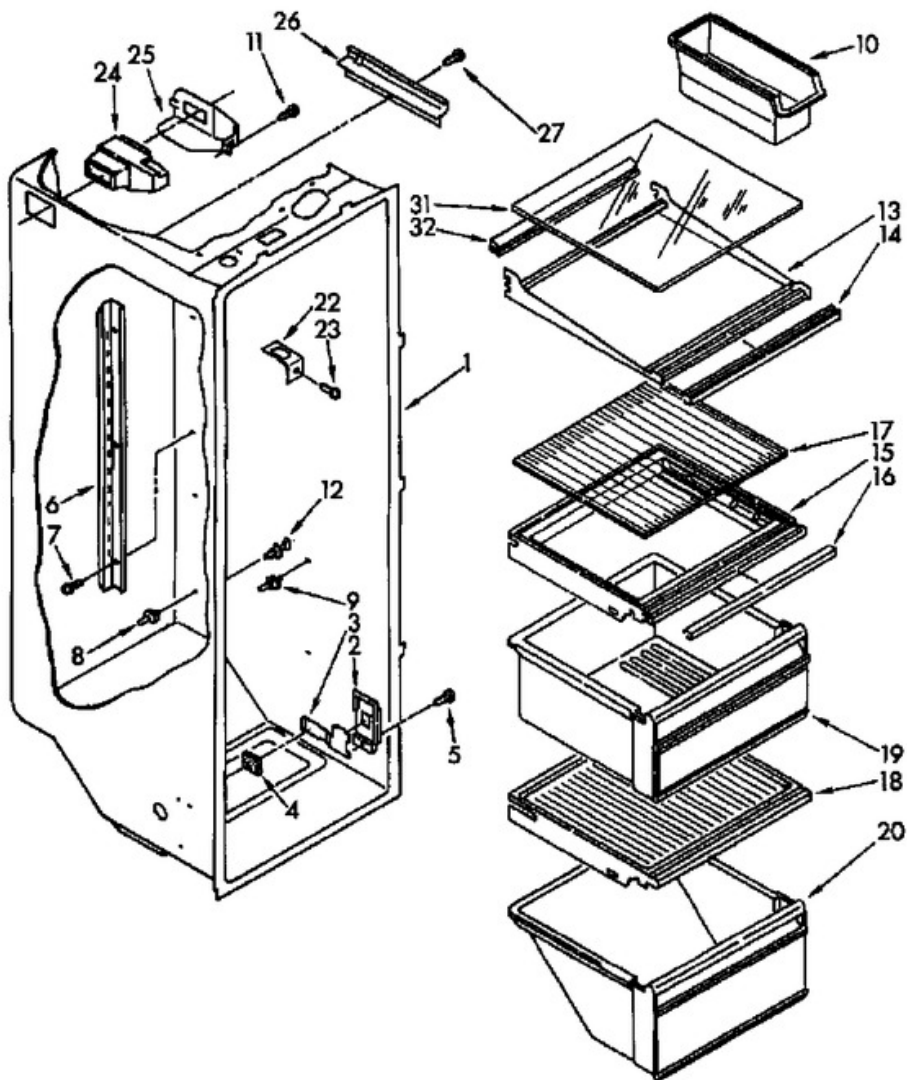
29	2185731	HOLE SEAL (S/P)
31	2147310	TAP PLATE (2) DESCONTINUADO
32	2149746	CABINET HARNESS DESCONTINUADO
33	489048	SCREW, GROUND (S/P)
34	937357	CLAMP (S/P)
35	489242	SCREW (S/P)
36	1129193	COVER, WIRING (S/P)
37	1108440	WIRING SHIELD, SHORT (S/P)
38	1108441	WIRING SHIELD, LONG (S/P)
39	1105607	TUBE CLAMP (2) DESCONTINUADO
40	1113084	CORD, SERVICE (S/P)
41	934607	DRAIN FERRULE DESCONTINUADO
42	1108438	EXTENSION TUBE (S/P)
43	1108439	CLIP, DRAIN TUBE (S/P)
44	488845	SCREW DESCONTINUADO
45	1108443	COVER, PLUG (S/P)
46	1115322	SEALING GASKET (S/P)
47	1105531	COVER, UNIT DESCONTINUADO
48	489337	SCREW, 8 X 1/2 (6) (S/P)
49	1119787	HINGE COVER (WHITE) (S/P)
49	1119787	HINGE COVER (ALMOND) (S/P)
49	989896	HINGE COVER (GOLDEN HARVEST) (S/P)
51	1118237	INSULATION (S/P)
53	548745	CLIP, WIRE DESCONTINUADO

Distribuidor Autorizado

SurteRápido.com

Venta de Refacciones
Electrodomesticas

ED20PKXXN00 REFRIGERATOR LINNER





ED20PKXXN00 REFRIGERATOR LINNER

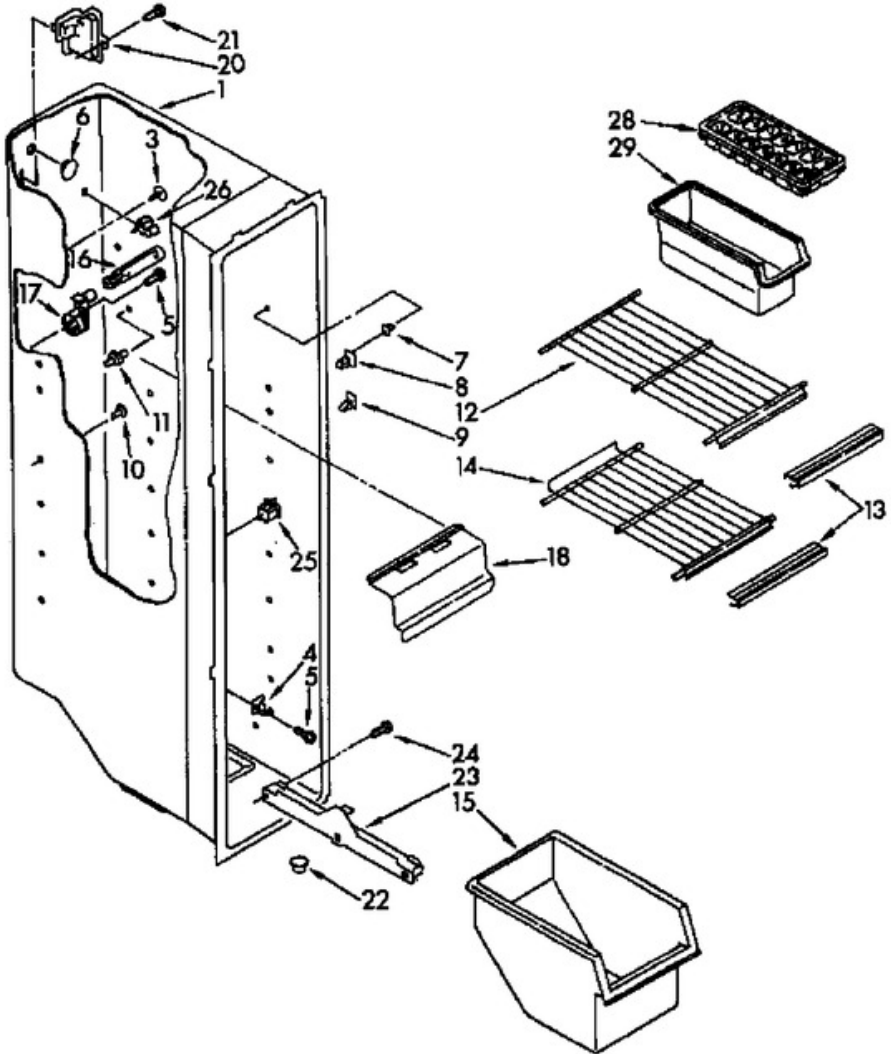
1	*****	LINER (NOT A SERVICEABLE PART)
2	1116612	ESCUTCHEON, MEAT PAN DESCONTINUADO
3	984102	SLIDE, MEAT PAN CONTROL (S/P)
4	992358	PAD, FOAM (S/P)
5	489242	SCREW, 8-15 X ½ (S/P)
6	2181796	SHELF LADDER (2) DESCONTINUADO
7	487539	SCREW, 8 X 1/2 (6) (S/P)
8	1110718	STUD, REAR (4)
9	2149540	STUD (2)
10	982704	CONTAINER (WHITE) (S/P)
10	982704	CONTAINER (HAZE) (S/P)
11	489242	SCREW (2) (S/P)
12	2147997	STUD
13	2148087	SHELF, CANTILEVER DESCONTINUADO
14	1114436	TRIM, SHELF (3) DESCONTINUADO
15	1126289	CRISPER COVER
16	1110795	TRIM, COVER DESCONTINUADO
17	1114687	GLASS, SHELF (S/P)
18	2148298	COVER, MEAT PAN
19	2148279	PAN, CRISPER (S/P)
20	1110791	PAN, MEAT DESCONTINUADO
22	2256085	BRACKET, RETAINER (S/P)
23	489290	SCREW (2) (S/P)
24	2209753	AIR DIFFUSER ASSEMBLY
25	2152019	COVER, AIR DIFFUSER (S/P)
26	2150330	COVER, CONDUIT DESCONTINUADO
27	486298	SCREW (S/P)
31	2164384	GLASS, SHELF DESCONTINUADO
32	1114306	REFLECTOR (S/P)

Distribuidor Autorizado

SurteRápido.com

Venta de Refacciones
Electrodomesticas

ED20PKXXN00 FREEZER LINNER





ED20PKXXN00 FREEZER LINNER

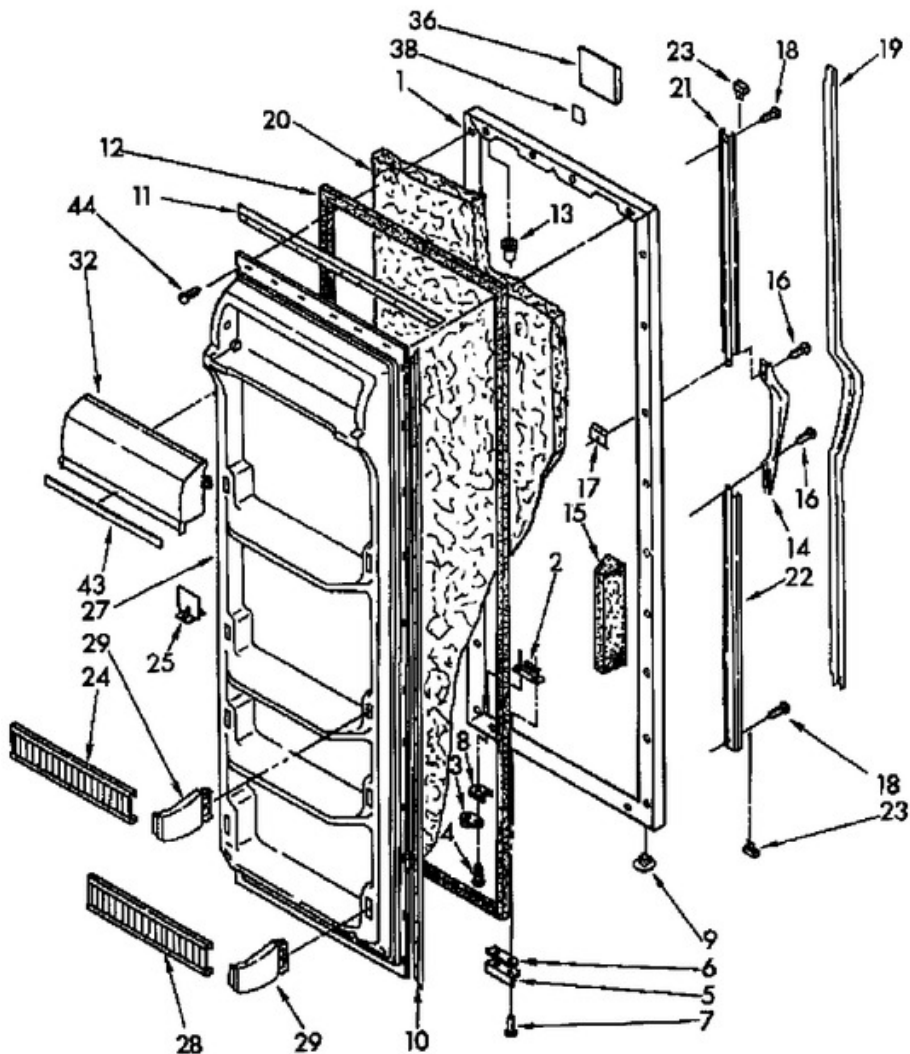
1	*****	LINER (NOT A SERVICEABLE PART)
3	941839	HOLE PLUG (2) (S/P)
4	1108436	EVAPORATOR, SUPPORT (S/P)
5	489242	SCREW, 8 X 1/2 (S/P)
6	655411	HOLE PLUG (S/P)
7	4388540	SUPPORT, STUD (16)
8	4388540	STUD (5)
9	4388540	STUD (5)
10	1110779	GROMMET (16) DESCONTINUADO
11	1110718	STUD (4)
12	2160913	SHELF (2) DESCONTINUADO
13	1110782	TRIM SHELF (S/P)
14	1106980	SHELF (3) DESCONTINUADO
15	2148194	BIN, FREEZER DESCONTINUADO
16	548049	LIGHT BULB (S/P)
17	1108630	SOCKET, ASSEMBLY DESCONTINUADO
18	1108445	LIGHT LENS (S/P)
20	1129915	COVER, WIRING (S/P)
21	489176	SCREW (S/P)
22	942768	FITTING, DRAIN DESCONTINUADO
23	1115383	SLIDE, FREEZER BIN (2) (S/P)
24	487979	SCREW (4) DESCONTINUADO
25	1108112	ROCKER ARM SWITCH (S/P)
26	842534	CLIP, AIR DUCT (2) (S/P)
28	841180	ICE TRAY (2) (S/P)
29	2148079	CONTAINER (HAZE) (S/P)
29	1116917	CONTAINER (WHITE) (S/P)

Distribuidor Autorizado

SurteRápido.com

Venta de Refacciones
Electrodomesticas

ED20PKXXN00 REFRIGERATOR DOOR





ED20PKXXN00 REFRIGERATOR DOOR

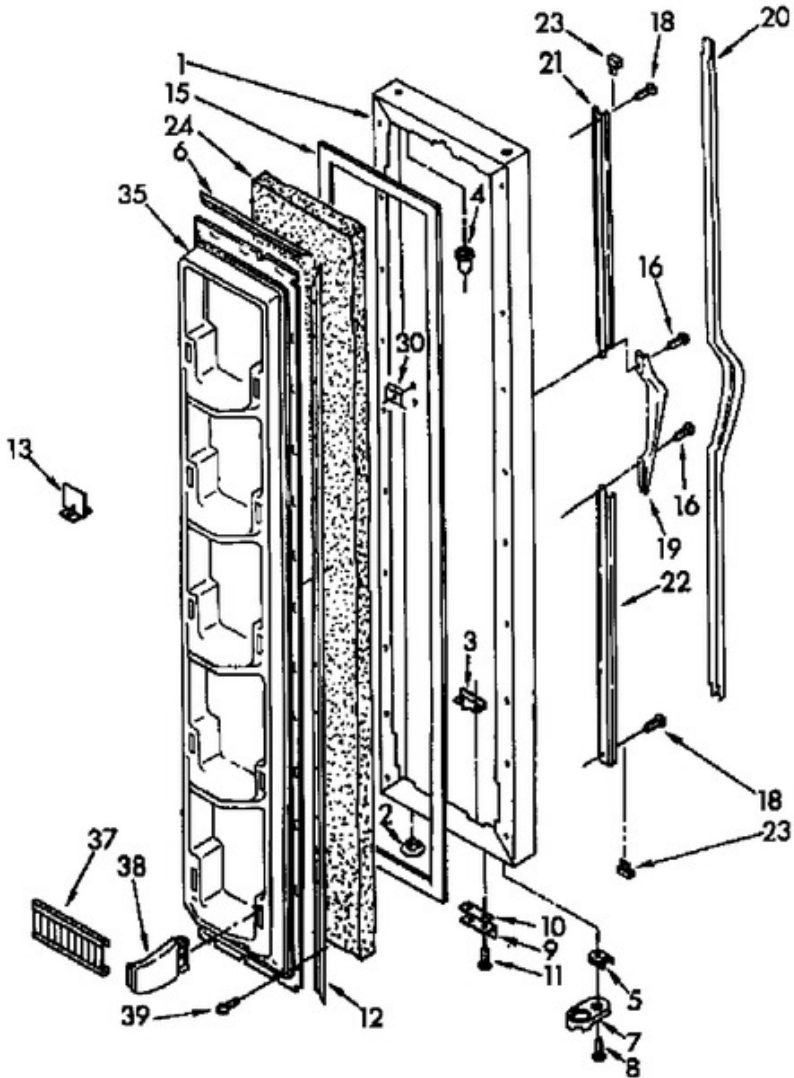
1	1106923	REFRIGERATOR DOOR (WHITE) (S/P)
1	1108464	REFRIGERATOR DOOR (GOLDEN HARVEST) (S/P)
1	1108465	REFRIGERATOR DOOR (S/P)
2	992245	TAP PLATE DESCONTINUADO
3	4318165	DOOR CLOSER, UPPER CAM
5	2195952	BRACKET, DOOR STOP (S/P)
6	988421	SHIM DESCONTINUADO
8	1104787	SHIM, DOOR CLOSER (S/P)
9	534927	HOLE PLUG DESCONTINUADO
10	1117766	GASKET RETAINER, SIDE (2) (S/P)
11	1118301	GASKET RETAINER, TOP & BOTTOM (S/P)
12	2188404A	DOOR GASKET, MAGNETIC (S/P)
13	509929	CAP, HINGE SLEEVE DESCONTINUADO
14	987009	HANDLE (S/P)
15	2152266	SHELF, REINFORCE- DESCONTINUADO
16	487909	SCREW, 8 X 1/2 (S/P)
17	939101	SCREW, ANCHOR (S/P)
18	489075	SCREW, 10-32 X 5/8 (S/P)
19	1111550	INSERT, HANDLE (ALMOND) DESCONTINUADO
19	1111550	INSERT, HANDLE (WHITE) DESCONTINUADO
19	1108722	INSERT, HANDLE (GOLDEN HARVEST) (S/P)
20	876029	FOAM INSULATION (S/P)
21	987008	INSERT RETAINER (TOP) DESCONTINUADO
22	987010	INSERT RETAINER (BOTTOM) DESCONTINUADO
23	987006	END CAP DESCONTINUADO
24	2157104	TRIM, DOOR SHELF (2) (S/P)
25	1123293	DIVIDER, SHELF (S/P)
27	2196137	INTERIOR, DOOR PANEL ALSO ORDER ITEM 15 (S/P)
28	2157104	TRIM, DOOR SHELF (2) (S/P)
29	4388286	RETAINER, DOOR TRIM (8)
32	2148289	DOOR, COMPARTMENT (S/P)
36	2152334	NAMEPLATE (S/P)
38	978601	TAPE STRIP DESCONTINUADO
43	1106959	TRIM DOOR COMPARTMENT DESCONTINUADO
44	489101	SCREW, (30) 7 X 1/2 (S/P)

Distribuidor Autorizado

SurteRápido.com

Venta de Refacciones
Electrodomesticas

ED20PKXXN00 FREEZER DOOR





ED20PKXXN00 FREEZER DOOR

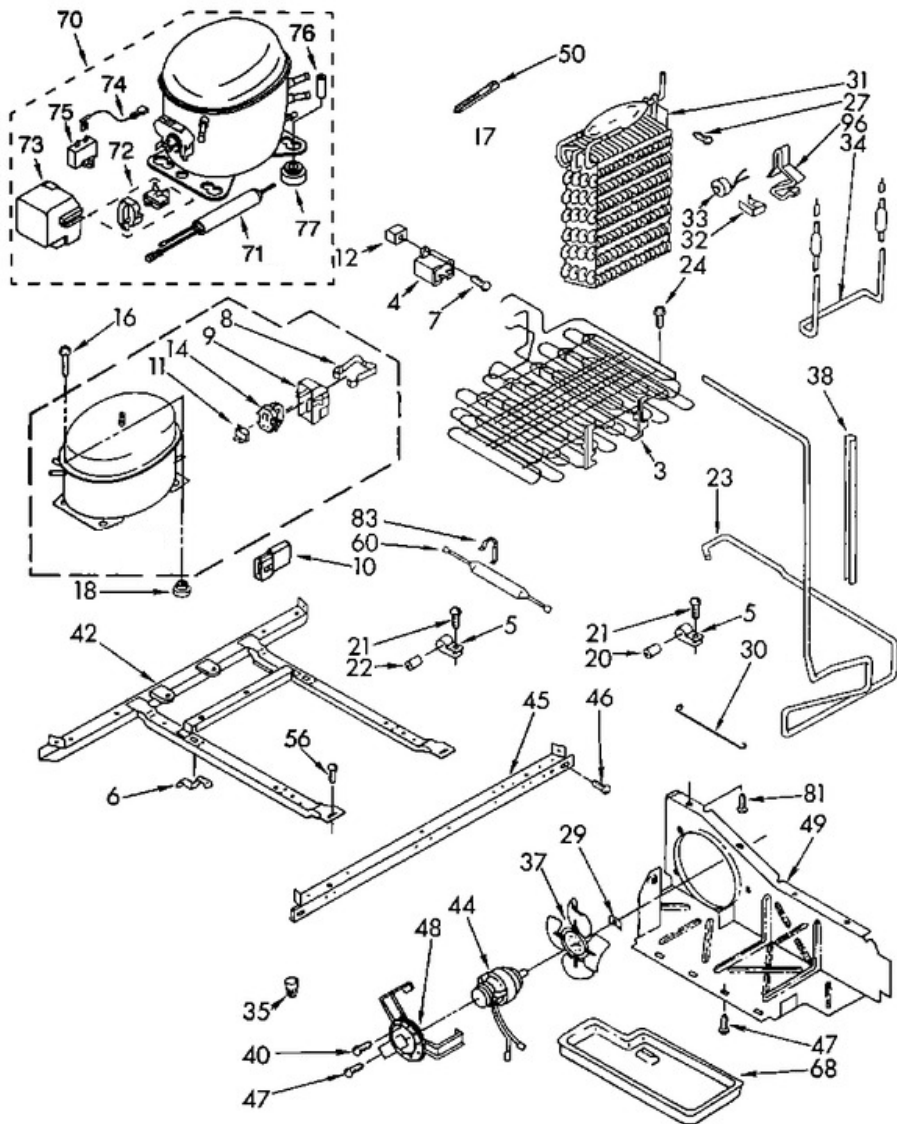
1	1106922	FREEZER, DOOR PANEL (WHITE) DESCONTINUADO
1	1108469	FREEZER, DOOR PANEL (GOLDEN HARVEST) (S/P)
1	1108470	FREEZER, DOOR PANEL (ALMOND) (S/P)
2	534927	HOLE PLUG (WHITE) DESCONTINUADO
2	534927	HOLE PLUG (ALMOND) DESCONTINUADO
2	534927	HOLE PLUG (GOLDEN HARVEST) DESCONTINUADO
3	992245	TAP, PLATE DESCONTINUADO
4	509929	CAP, HINGE SLEEVE DESCONTINUADO
5	1104787	SHIM, DOOR CLOSER (S/P)
6	1117767	RETAINER, GASKET (S/P)
7	4318165	DOOR CLOSER, UPPER CAM
8	488938	SCREW, 8 X 1/2 (S/P)
9	2195952	BRACKET, DOOR STOP (S/P)
10	988421	SHIM DESCONTINUADO
11	488938	SCREW, 8 X 5/8 (S/P)
12	1117766	RETAINER, GASKET (S/P)
13	1123293	DIVIDER, SHELF (S/P)
15	2188405A	DOOR GASKET, MAGNETIC (S/P)
16	487909	SCREW, 8 X 1/2 (S/P)
18	489075	SCREW, 10-32 X 5/8 (S/P)
19	987009	HANDLE DESCONTINUADO
20	1111550	INSERT HANDLE (WHITE) DESCONTINUADO
20	1111550	INSERT, HANDLE (ALMOND) DESCONTINUADO
20	1108722	INSERT HANDLE (GOLDEN HARVEST) (S/P)
21	987008	INSERT RETAINER (TOP) DESCONTINUADO
22	987010	INSERT RETAINER (BOTTOM) DESCONTINUADO
23	987006	END CAP (2) DESCONTINUADO
24	876029	FOAM INSULATION (S/P)
30	939101	SCREW ANCHOR (S/P)
35	2196141	PANEL, INTERIOR DOOR DESCONTINUADO
37	2157104	TRIM, DOOR SHELF (5) (S/P)
38	2196100	SUPPORT TRIM END (10)
39	489101	SCREW, (28) 7 X 1/2 (S/P)

Distribuidor Autorizado

SurteRápido.com

Venta de Refacciones
Electrodomesticas

ED20PKXXN00 UNIT





ED20PKXXN00 UNIT

3	1118657	CONDENSER DESCONTINUADO
4	2169373	CAPACITOR
5	510716	CLAMP (2) (S/P)
6	548744	CLIP (2) (S/P)
7	488687	SCREW (S/P)
8	938384	STRAP, COVER (S/P)
9	1108115	COVER DESCONTINUADO
10	1118850	HOUSING PLUG (S/P)
11	819198	OVERLOAD (S/P)
12	937252	GROMMET (S/P)
14	2262181	RELAY (S/P)
16	489116	SCREW, 1/4-28 X 1 (4) (S/P)
18	876811	GROMMET (4) (S/P)
20	2158826	DAMPENER (S/P)
21	488197	SCREW, 8-32 X 1/2 (2) (S/P)
22	1108064	DAMPENER DESCONTINUADO
23	1127577	EXCHANGER, HEAT DESCONTINUADO
24	488624	SCREW (4) (S/P)
27	489242	SCREW, 8 X 1/2 (S/P)
29	486692	NUT, SPEED (S/P)
30	1105612	GUARD, FAN (S/P)
31	1106987	EVAPORATOR DESCONTINUADO
32	547811	CLAMP (S/P)
33	4387499	BIMETAL, DEFROST
34	2154542	HEATER, DEFROST DESCONTINUADO
35	227991	WIRE CONNECTOR DESCONTINUADO
37	1108179	BLADE, FAN (S/P)
38	2002171	SLEEVE (S/P)
40	489019	SCREW, 8-32 X 3/8 (3) (S/P)
42	1127943	FRAME (S/P)
44	833697	MOTOR, FAN
45	2149718	RAIL, FRONT (S/P)
46	489340	SCREW, 5/16-18 X 5/8 (4) (S/P)
47	488624	SCREW, 8 X 3/8 (S/P)
48	548695	BRACKET, FAN MOTOR DESCONTINUADO

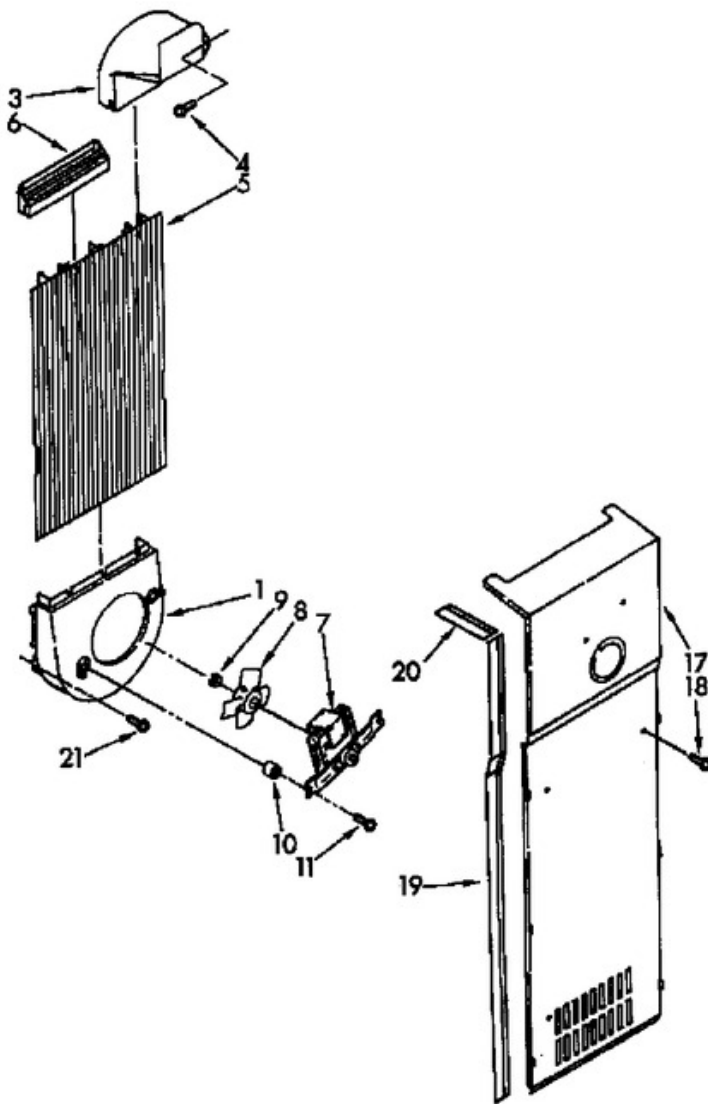
49	1127938	AIR, BAFFLE DESCONTINUADO
50	851095	STRAP (S/P)
56	489339	SCREW, 1/4-28 X 1/2 (2) (S/P)
60	1105550	DRIER (S/P)
68	1105523	TRAY, EVAPORATOR (S/P)
70	876765	TUBE KIT (S/P)
70	4388005	COMPRESSOR DESCONTINUADO
71	4387019	DRIER (S/P)
72	4387767	OVERLOAD/RELAY ASY. (S/P)
73	4387731	COVER, TERMINAL (S/P)
74	2172890	WIRE, CAPACITOR (S/P)
75	4387764	CAPACITOR (S/P)
76	4387559	SLEEVE (S/P)
77	4387558	GROMMET (S/P)
81	489050	SCREW, 8-32 X 1/2 DESCONTINUADO
83	1127590	CLAMP, DRYER (S/P)
96	1108431	CLAMP (4) DESCONTINUADO
96	978025	VALVE, ACCESS (1/4``) (S/P)
96	978027	VALVE, ACCESS (3/8``) (S/P)
96	978028	VALVE, ACCESS (1/2``) (S/P)
96	876764	VALVE, ACCESS (3/16``) (S/P)
96	978026	VALVE, ACCESS (5/16``) (S/P)
96	978029	VALVE, ACCESS (5/8``) (S/P)
96	978030	VALVE, ACCESS (3/4``) (S/P)

Distribuidor Autorizado

SurteRápido.com

Venta de Refacciones
Electrodomesticas

ED20PKXXN00 AIR FLOW





ED20PKXXN00 AIR FLOW

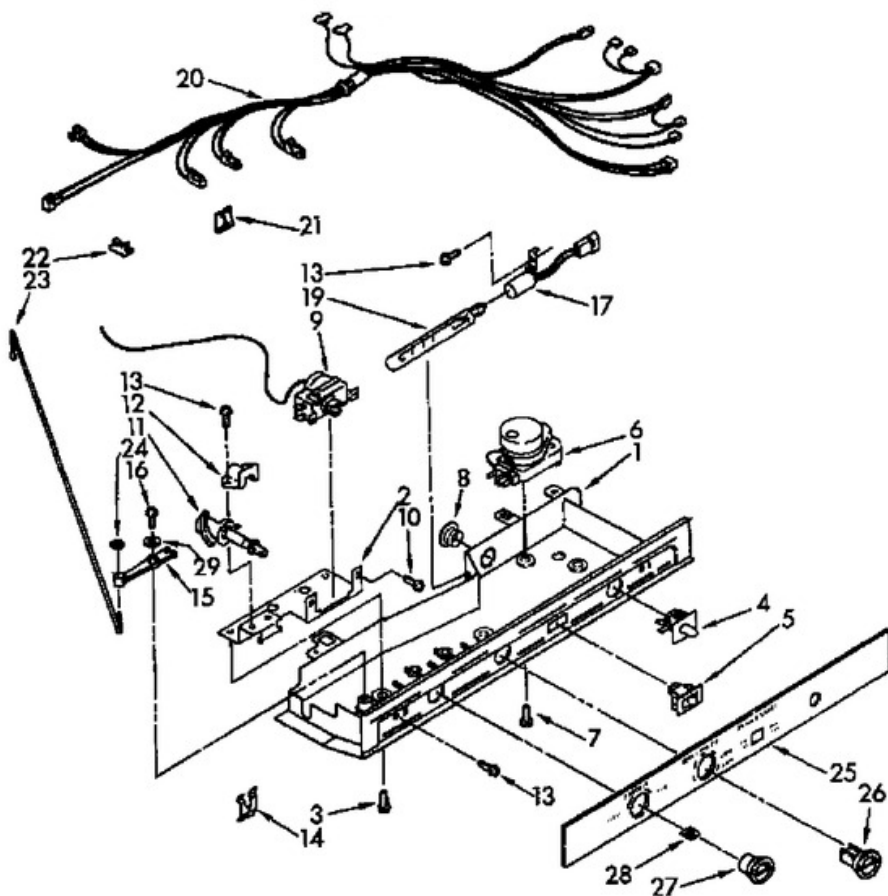
1	1127163	FAN SCROLL
3	2161231	AIR SCOOP (S/P)
4	489176	SCREW (S/P)
5	1108434	AIR DUCT FREEZER (S/P)
6	2149544	DIFFUSER, AIR DUCT (S/P)
7	4318017	FAN MOTOR (S/P)
8	992920	BLADE, FAN (S/P)
9	992953	RING, COMPRESSION (S/P)
10	531933	FAN GROMMET (2) (S/P)
11	489168	SCREW (2) DESCONTINUADO
17	1127168	COVER, EVAPORATOR DESCONTINUADO
18	489196	SCREW (6) (S/P)
19	988494	GASKET, EVAPORATOR COVER (2) DESCONTINUADO
20	1110676	GASKET, EVAPORATOR COVER TOP (2) (S/P)
21	489242	SCREW (S/P)

Distribuidor Autorizado

SurteRápido.com

Venta de Refacciones
Electrodomesticas

ED20PKXXN00 CONTROL





ED20PKXXN00 CONTROL

1	1129413	CONTROL BOX DESCONTINUADO
2	1110629	MOUNTING BRACKET (S/P)
3	489190	SCREW (2) (S/P)
4	2149705	LIGHT SWITCH (S/P)
5	938213	SWITCH, LIGHTED POWER MISER
6	482493	DEFROST TIMER (10 HR.)
7	489192	SCREW (2) (S/P)
8	940014	HOLE PLUG (S/P)
9	2198202	THERMOSTAT ASSEMBLY
10	487869	SCREW, 8 X 3/8 (2) (S/P)
11	2182195	CAM ASSEMBLY (S/P)
12	1110560	BEARING BODY (S/P)
13	489242	SCREW, 8 X 1/2 (2) (S/P)
14	2182195	RETAINER, DAMPER (S/P)
15	1110559	PIVOT ARM (S/P)
16	627068	SCREW (S/P)
17	1110690	LIGHT SOCKET DESCONTINUADO
19	548049	LIGHT BULB (S/P)
20	2149756	CONTROL BOX HARNESS DESCONTINUADO
21	1115374	CLIP, WIRING (S/P)
22	1115375	CLIP, WIRING (S/P)
23	1123959	CONNECTING ROD DESCONTINUADO
24	489285	FASTENER, PUSH-ON (S/P)
25	2148231	ESCUTCHEON, CONTROL BOX (S/P)
26	2182111	KNOB, THERMOSTAT (S/P)
27	2197871	KNOB, AIR CONTROL (S/P)
28	837444	KNOB, RETAINER (S/P)
29	876370	KIT, INSULATION (14 PCS. X 3" X 24" X 48") (S/P)
29	978883	ENAMEL, ALMOND (1 QT. UNCUT) (S/P)
29	876370	INSULATION, FIBERGLASS (S/P)
29	72032	BRUSH TOUCH-UP KIT (BLACK) (S/P)
29	72107	BRUSH TOUCH-UP KIT (ALMOND) (S/P)
29	72110	BRUSH TOUCH-UP KIT (GOLDEN HARVEST) (S/P)
29	799833	KIT, EVAPORATOR REPAIR DESCONTINUADO
29	503695	CORK, SEALER (1/4 POUND) (S/P)

29	505587	SEALER, MASTIC (1 QT.) (S/P)
29	542638	GREASE, SILICONE (1/2 OZ.) (S/P)
29	72017	BRUSH TOUCH-UP KIT (WHITE) (S/P)
29	786032	ENAMEL, BLACK (1 QT. UNCUT) DESCONTINUADO
29	799344	ENAMEL, WHITE (1 QT. UNCUT) (S/P)
29	833938	KIT, TERMINAL CONNECTOR (S/P)
29	876029	KIT, FOAM SLAB (30`` X 32-1/2`` X 1-1/2``) (S/P)
29	876370	KIT, INSULATION (2 PCS. X 3`` X 24`` X 48``) (S/P)
29	489203	SPRING WASHER (S/P)
29	212643	SEALER, GUM (4 FEET) (S/P)
29	606755	BAG, INSULATION (36-5/8`` X 46) (S/P)
29	511873	PAINT, TOUCH-UP 1/2 OZ. (WHITE PORCELAIN) (S/P)
29	515393	TRANSFORMER (115-230 VOLTS) DESCONTINUADO
29	4317852	CEMENT, ALUMILASTIC (1-1/4 OZ.) (S/P)
29	261890	XENAMEL, GOLDEN HARVEST DESCONTINUADO
29	261891	ENAMEL, GOLDEN HARVEST DESCONTINUADO
29	350941	LEVELER, ENAMEL DESCONTINUADO
29	350930	XENAMEL, WHITE (13 OZ. SPRAY CAN) (S/P)
29	285006	XENAMEL, BLACK (13 OZ. SPRAY CAN) (S/P)
29	350942	XPRIMER, WHITE (13 OZ. SPRAY CAN) (S/P)
29	350956	XENAMEL, ALMOND (13 OZ. SPRAY CAN) (S/P)
29	479502	TAPE, VINYL (3/4 X 108``) (S/P)