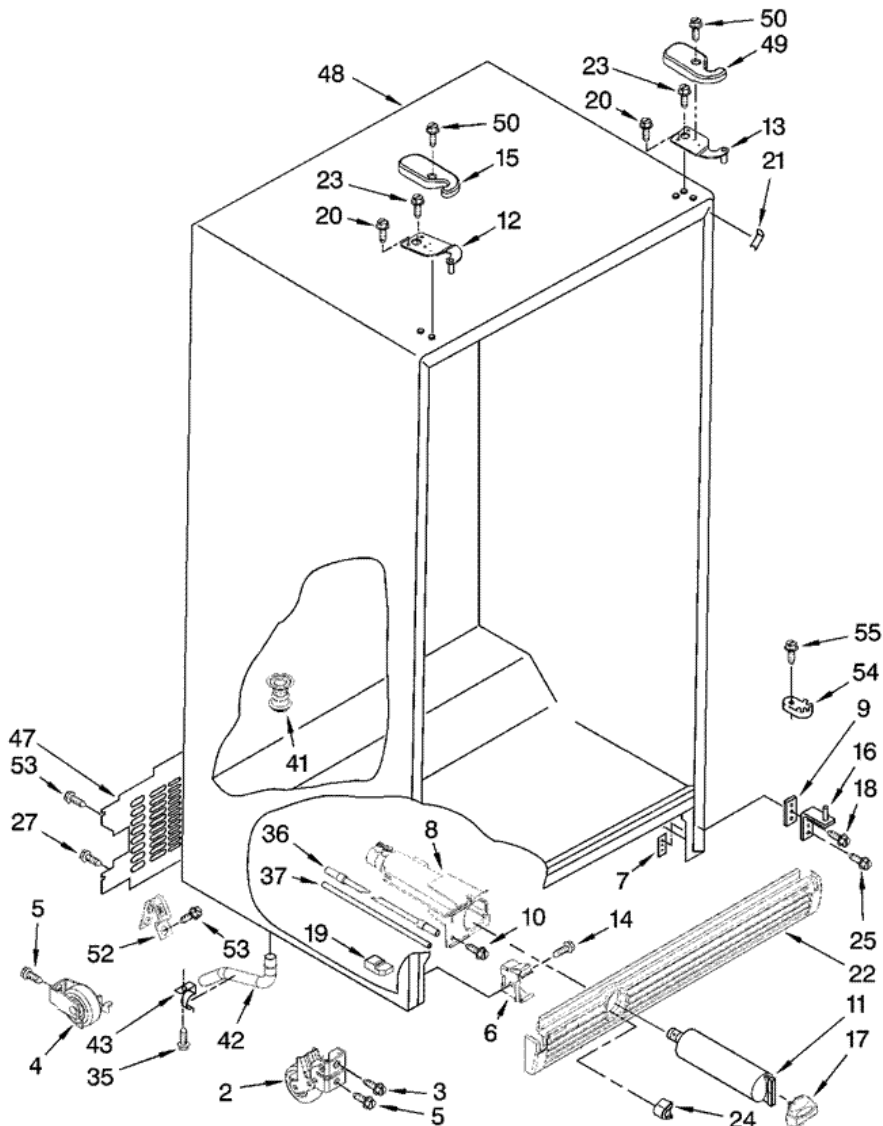


Distribuidor Autorizado

SurteRápido.com

Venta de Refacciones
Electrodomesticas

ED5VHEXTB01 CABINET



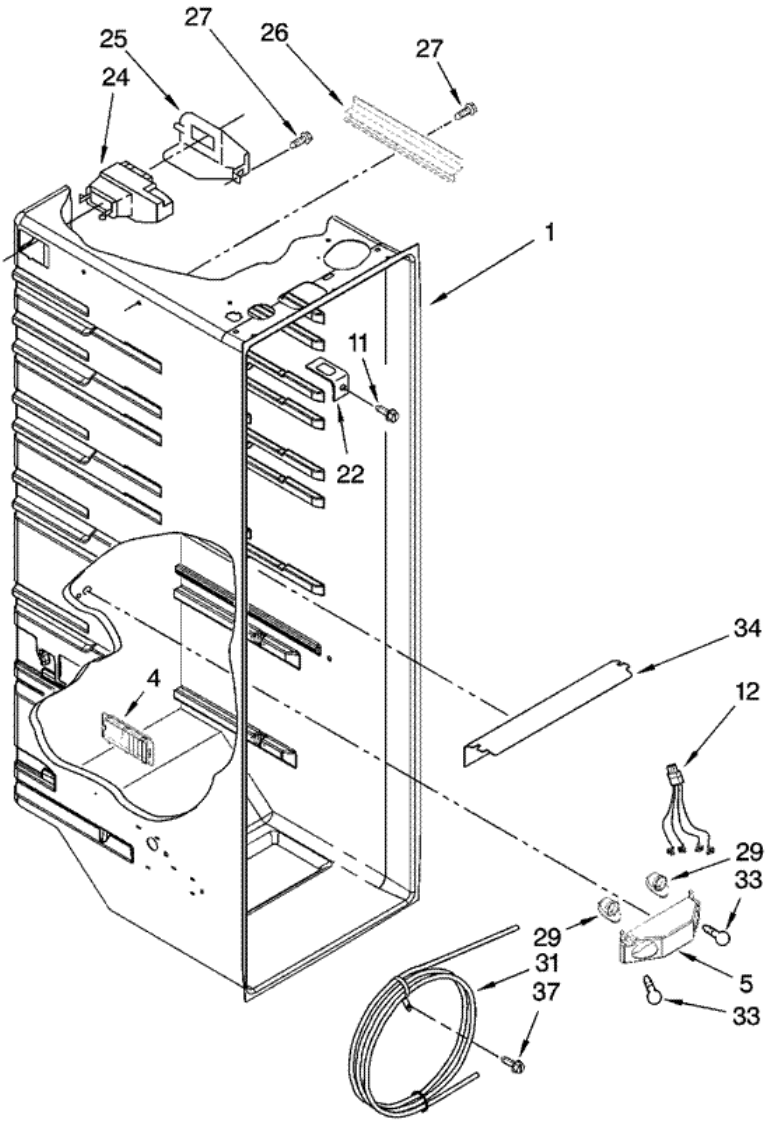


ED5VHEXTB01 CABINET

7	2304249	SCREW PLATE (2) (S/P)
8	2260507	HOUSING, WATER FILTER (S/P)
9	2209697	SHIM (2) (S/P)
10	489500	SCREW (2) (S/P)
11	4396710	WATER FILTER
12	2203770	HINGE TOP (FC) (S/P)
13	2203771	HINGE, TOP (RC) (S/P)
14	488500	SCREW (S/P)
15	2203407B	HINGE COVER (BLACK) (S/P)
15	2203407W	HINGE COVER (WHITE) (S/P)
16	8201707	HINGE BOTTOM (2) (S/P)
17	2260518W	CAP, WATER FILTER (WHITE) (S/P)
17	2260518B	CAP, WATER FILTER (BLACK) (S/P)
18	3400113	SCREW (4) (S/P)
19	2260519	BLOCK, HOUSING SUPPORT DESCONTINUADO
20	3400858	SCREW (S/P)
21	2201014	FILLER, WRAPPER (WHITE) (S/P)
21	2201017	FILLER, WRAPPER (BLACK) (S/P)
22	2260500B	GRILLE (BLACK) (S/P)
22	2260500W	GRILLE (WHITE) (S/P)
23	489497	SCREW (S/P)
24	2260503W	BUTTON, WATER FILTER (WHITE) (S/P)
24	2260503B	BUTTON, WATER FILTER (BLACK) (S/P)
25	3400103	SCREW (2) (S/P)
27	489290	SCREW (S/P)
35	489464	SCREW (S/P)
36	2304697	TUBE, FILTER INLET (S/P)
37	2255153	TUBE, FILTER OUTLET (S/P)
41	2304888	DRAIN FITTING (S/P)
42	1108438	EXTENSION TUBE (S/P)
43	1108439	CLIP, DRAIN TUBE (S/P)
47	2188755	COVER, UNIT (S/P)
48	*****	CABINET (NOT A SERVICEABLE PART)

49	2203408W	HINGE COVER (WHITE) (S/P)
49	2203408B	HINGE COVER (BLACK) (S/P)
50	8281227	SCREW (S/P)
52	3196256	CLAMP, SERVICE CORD (S/P)
53	489084	SCREW (S/P)
54	2155311	DOOR CLOSER, LOWER CAM (2)
55	489483	SCREW (2) (S/P)

ED5VHEXTB01 REFRIGERATOR LINER

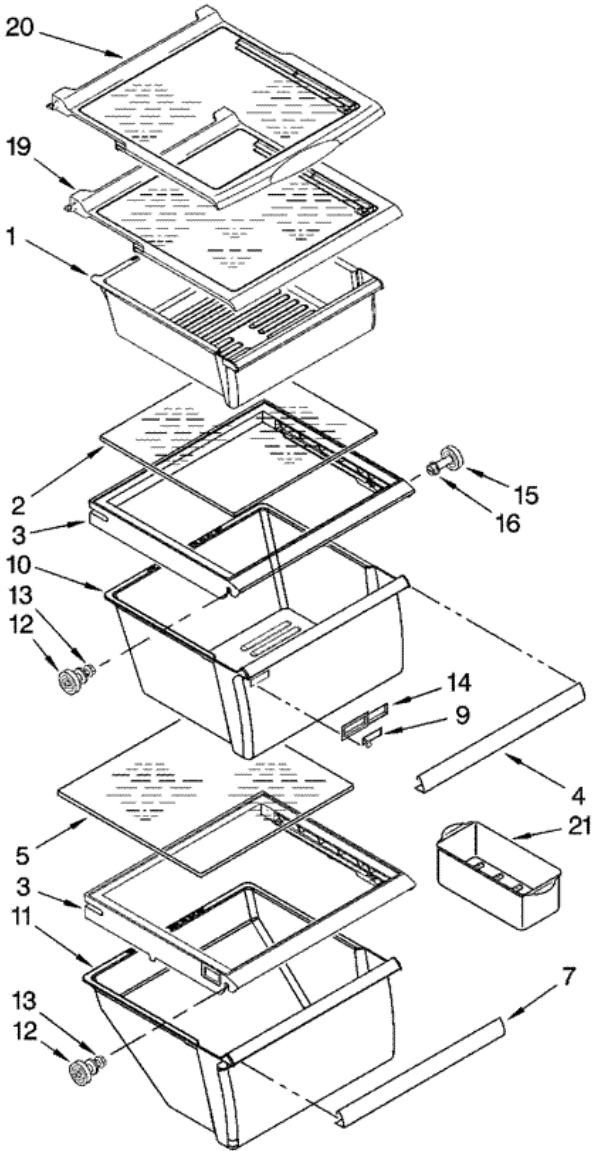




ED5VHEXTB01 REFRIGERATOR LINER

1	*****	LINER (NOT A SERVICEABLE PART)
4	8201651	LOUVER (S/P)
5	2256035	BRACKET, DUAL CRISPER LIGHT (S/P)
11	489084	SCREW (S/P)
12	2311637	WIRE HARNESS, CRISPER LIGHT (S/P)
22	2311612	CLIP, CONTROL BOX (2) (S/P)
24	2209753	AIR DIFFUSER ASSEMBLY (S/P)
25	2152019	AIR DIFFUSER COVER (S/P)
26	2150331	COVER, CONDUIT (S/P)
27	486298	SCREW (S/P)
29	4387478	SOCKET
31	2256126	RESERVOIR (S/P)
33	527949	LIGHT BULB (S/P)
34	2317782	LIGHT LENS (S/P)
37	488280	SCREW (2) (S/P)

ED5VHEXTB01 REFRIGERATOR SHELF

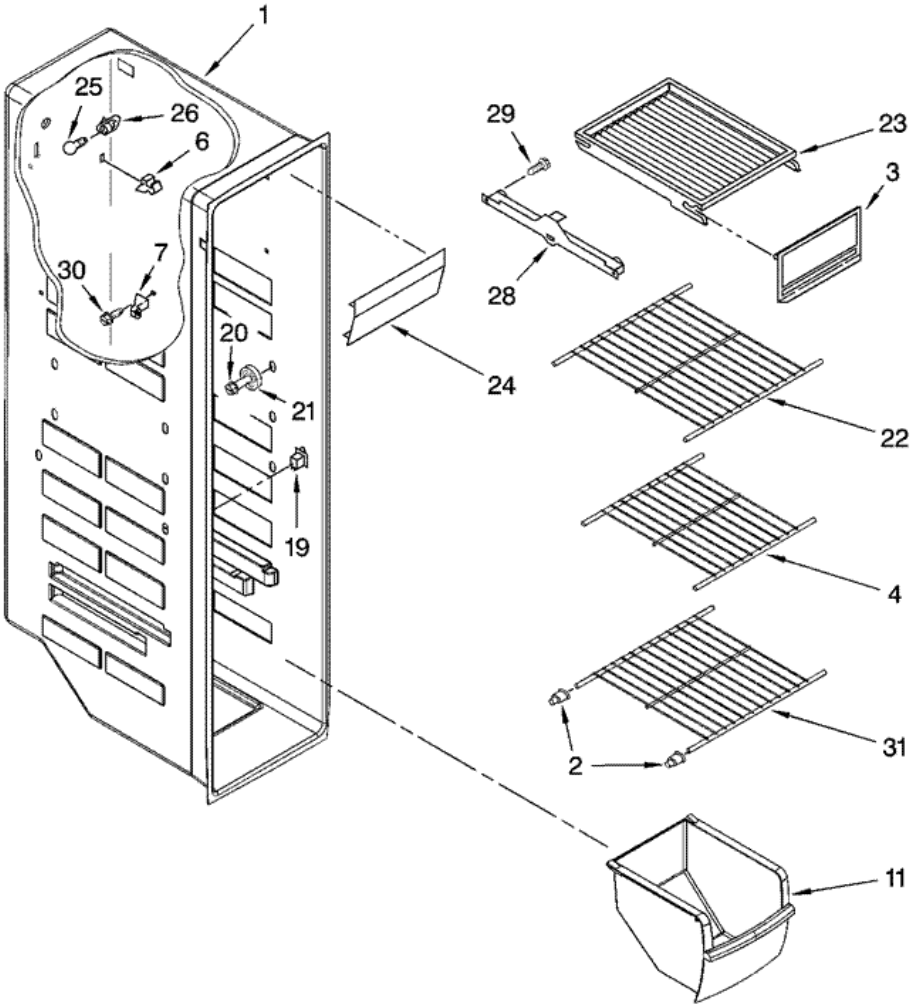




ED5VHEXTB01 REFRIGERATOR SHELF

1	2309517	SNACK PAN (S/P)
2	2174150	GLASS, COVER (S/P)
3	2311980	COVER, CRISPER (S/P)
4	2179234	TRIM, PAN (S/P)
5	2179259	GLASS, COVER (S/P)
7	2179234	TRIM, MEAT PAN (S/P)
9	2179342	SLIDE, HUMIDITY CONTROL (S/P)
10	2188656	CRISPER PAN (S/P)
11	2188664	MEAT PAN (S/P)
12	2196485	STUD ASSEMBLY (S/P)
13	3400894	SCREW (S/P)
14	2179343	HOUSING, HUMIDITY CONTROL (S/P)
15	2196483	STUD ASSEMBLY (S/P)
16	8281158	SCREW (S/P)
19	2309561	SHELF ASSEMBLY, SPILLGUARD (S/P)
20	2309523	SHELF ASSEMBLY, SLIDE-OUT (S/P)
21	2311722	EGG BIN (S/P)

ED5VHEXTB01 FREEZER LINER





ED5VHEXTB01 FREEZER LINER

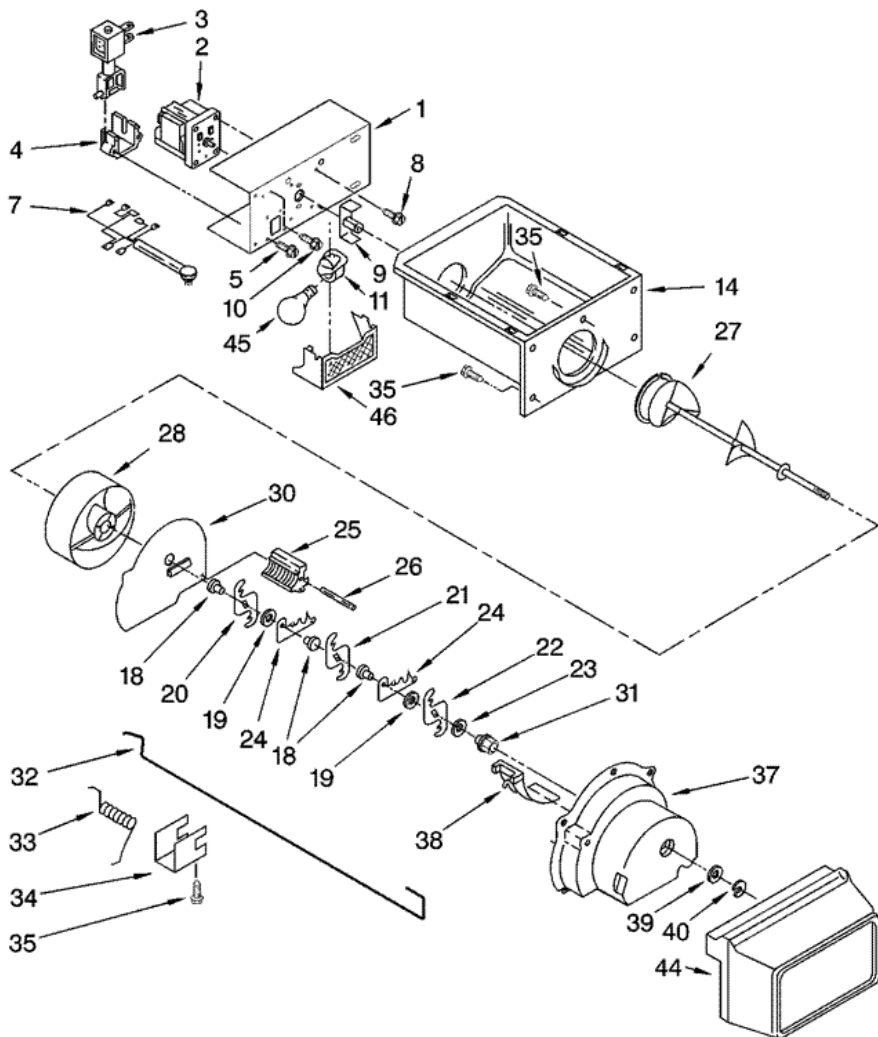
1	*****	LINER (NOT A SEVICEABLE PART)
2	2163762	CUP, SHELF MOUNTING (12) (S/P)
3	2171713	DOOR, ICE COMPARTMENT (S/P)
4	2309597	SHELF, WIRE (S/P)
6	842534	CLIP, AIR DUCT (2) (S/P)
7	939203	SUPPORT, STUD (4) (S/P)
11	2309757	FREEZER BIN (S/P)
19	4387911	SWITCH, ROCKER ARM (S/P)
20	8281158	SCREW (4) (S/P)
21	2196483	STUD ASSEMBLY (4) (S/P)
22	2309596	SHELF, WIRE (S/P)
23	2171714	SHELF, TOP COMPARTMENT (S/P)
24	2171705	LIGHT LENS (S/P)
25	527949	LIGHT BULB (S/P)
26	4387478	LIGHT SOCKET
28	1119237	SLIDE, CONTAINER (LEFT SIDE) (S/P)
28	1119293	SLIDE, CONTAINER (RIGHT SIDE)
29	489100	SCREW (4) (S/P)
30	3400893	SCREW (S/P)
31	2309522	SHELF, WIRE (S/P)

Distribuidor Autorizado

SurteRápido.com

Venta de Refacciones
Electrodomesticas

ED5VHEXTB01 MOTOR AND ICE CONTAINER



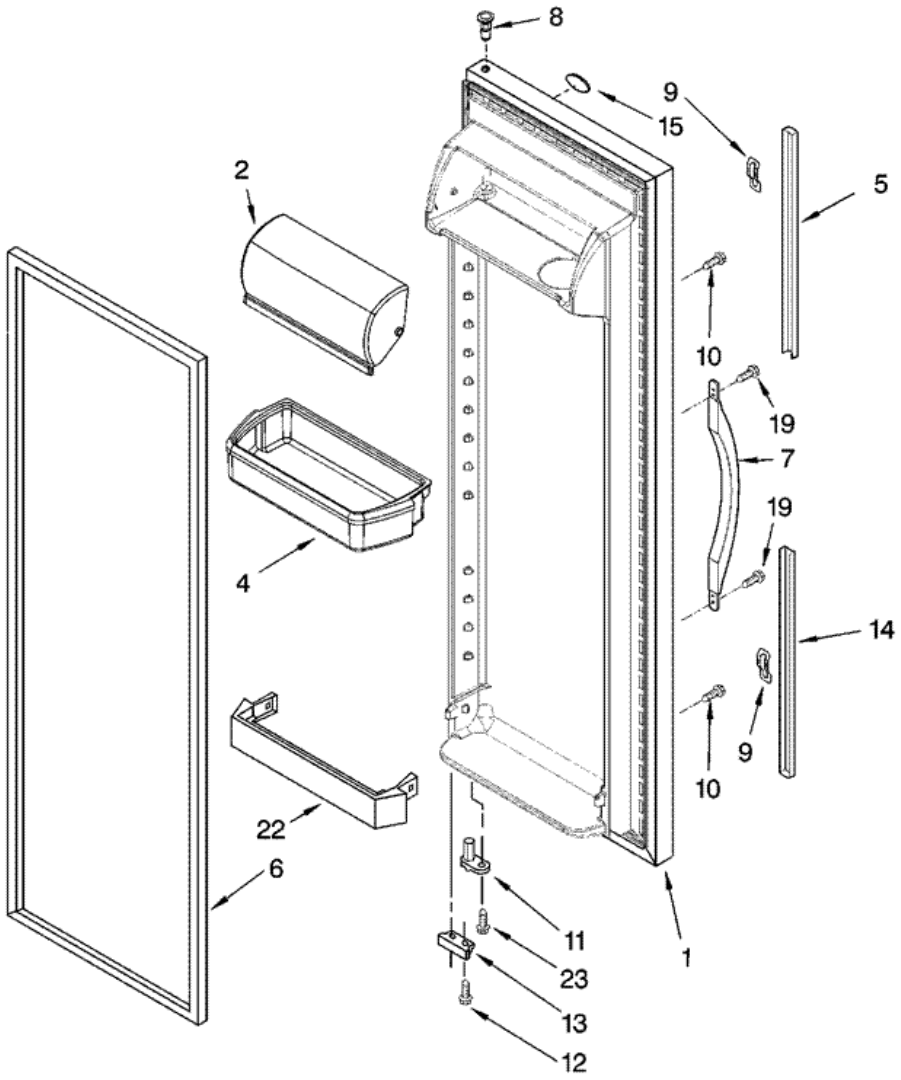


ED5VHEXTB01 MOTOR AND ICE CONTAINER

1	2254587	BRACKET, MOTOR (S/P)
2	2188242	MOTOR, DISPENSER (S/P)
3	2152713	SOLENIOD ASSEMBLY (S/P)
4	2149100	GUIDE, SOLENOID (S/P)
5	489355	SCREW (2) (S/P)
7	2311639	WIRING ASSEMBLY, ICE DISPENSER (S/P)
8	489399	SCREW (6) (S/P)
9	2205716	COUPLING, MOTOR (S/P)
10	489478	SCREW (S/P)
11	4387478	SOCKET, LIGHT
14	2196091	ICE CONTAINER
18	1119005	SPACER, STEP (3)
19	1119007	SPACER, FLAT (2)
20	2257022	BLADE, ROTARY
21	2257023	BLADE, ROTARY
22	2257024	BLADE, ROTARY
23	489235	WASHER, PLAIN
24	1119009	BLADE, FIXED (2) (S/P)
25	2157405	BLOCK, BLADE (S/P)
26	489229	ROLL PIN
27	2196295	AUGER (S/P)
28	4388496	DRUM
30	2171682	FLOATING BAFFLE (S/P)
31	1119018	NUT, BEARING (S/P)
32	2155231	CONTROL ARM (S/P)
33	1119020	SPRING, RETURN (S/P)
34	1119021	RETAINER CLIP, ROD (S/P)
35	488886	SCREW (S/P)
37	2180348	HOUSING, CRUSHER (S/P)
38	1119017	DEFLECTOR, ICE (S/P)
39	489234	WASHER, PLAIN (S/P)
40	489236	RETAINER RING (S/P)
44	2204321	FRONT COVER, ICE CONTAINER (S/P)

45	527949	LIGHT BULB (S/P)
46	2171706	LIGHT LENS, DISPENSER (S/P)
100	2209780	ICE CONTAINER (COMPLETE) (S/P)

ED5VHEXTB01 REFRIGERATOR DOOR





ED5VHEXTB01 REFRIGERATOR DOOR

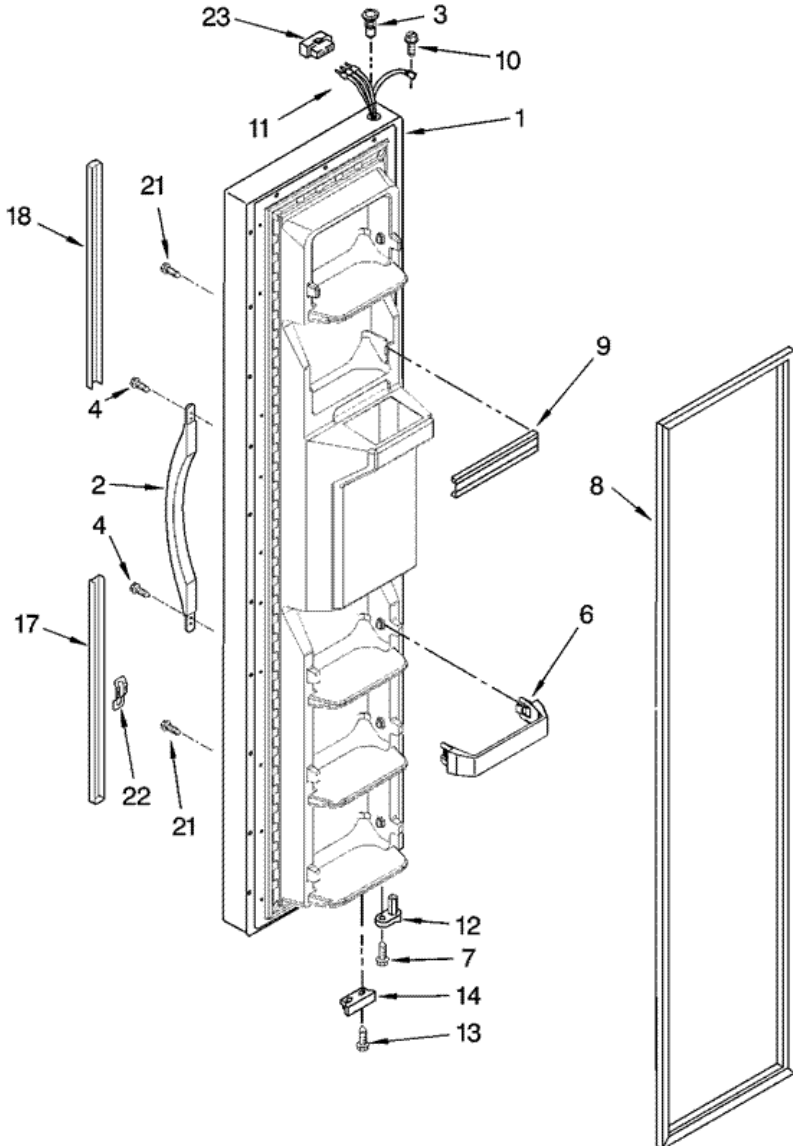
1	2309921B	REFRIGERATOR DOOR (BLACK) (S/P)
1	2311658S	REFRIGERATOR DOOR (STAINLESS) (S/P)
1	2309921W	REFRIGERATOR DOOR (WHITE) (S/P)
1	2309921L	REFRIGERATOR DOOR (STAINLESS-VCM) (S/P)
2	2256101	DOOR, COMPARTMENT (S/P)
4	2187172	DOOR BIN (3) (S/P)
5	2194973B	EXTENSION, TOP (BLACK) (S/P)
5	2194973W	EXTENSION, TOP (WHITE) (S/P)
6	2159075	DOOR GASKET, MAGNETIC (MIST BEIGE) (S/P)
6	2159083	DOOR GASKET, MAGNETIC (BLACK) (S/P)
7	2186649W	HANDLE (WHITE) (S/P)
7	2186649B	HANDLE (BLACK) (S/P)
8	2182181	THIMBLE-TOP (S/P)
9	2195327	CLIP (S/P)
10	3400852	SCREW (S/P)
11	2182179	DOOR CLOSER, UPPER CAM (S/P)
12	489420	SCREW (S/P)
13	2206629	BRACKET, DOOR STOP (CHROME) (S/P)
13	2206629B	BRACKET, DOOR STOP (BLACK) (S/P)
14	2194970B	EXTENSION, BOTTOM (BLACK) (S/P)
14	2194970W	EXTENSION, BOTTOM (WHITE) (S/P)
15	2255121	NAMEPLATE (S/P)
19	489491	SCREW (4) (S/P)
22	2177962	TRIVET, SHELF (S/P)
23	3400012	SCREW (S/P)

Distribuidor Autorizado

SurteRápido.com

Venta de Refacciones
Electrodomesticas

ED5VHEXTB01 FREEZER DOOR





ED5VHEXTB01 FREEZER DOOR

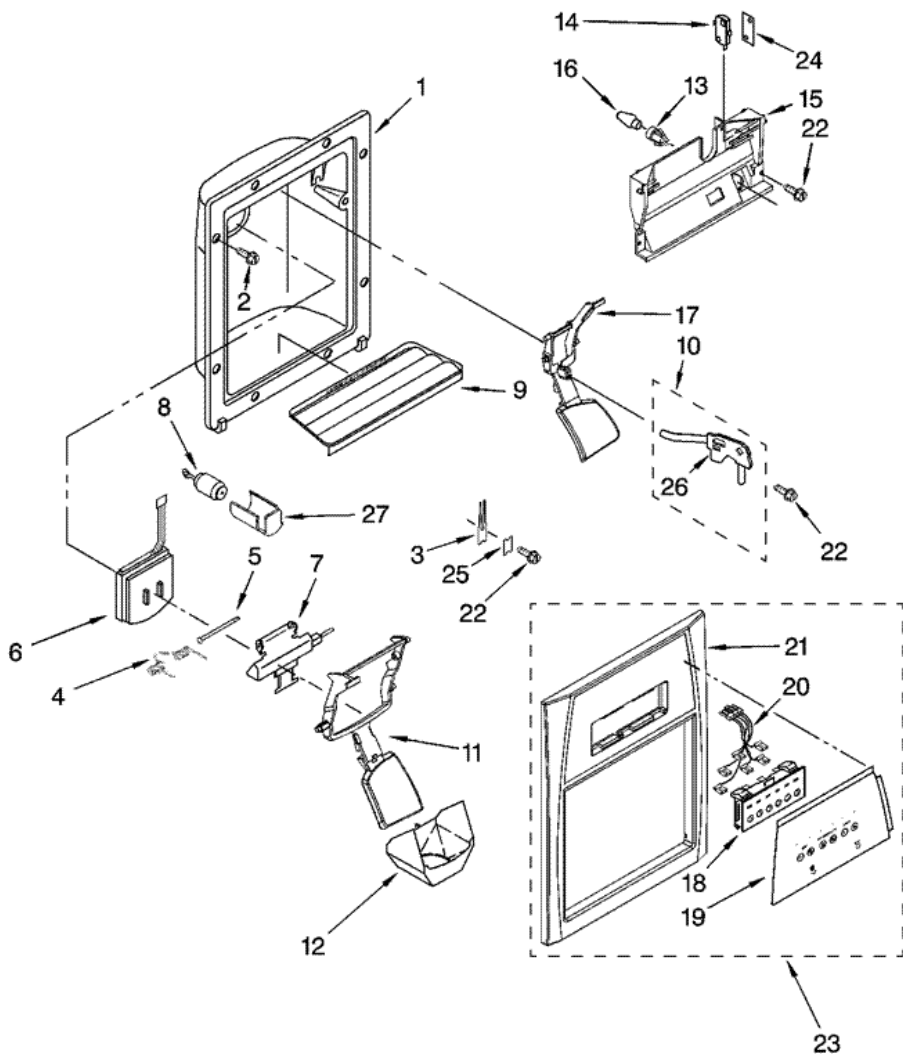
1	2311979L	FREEZER DOOR (STAINLESS-VCM) (S/P)
1	2311979W	FREEZER DOOR (WHITE) (S/P)
1	2309683S	FREEZER DOOR (STAINLESS STEEL) (S/P)
1	2311979B	FREEZER DOOR (BLACK) (S/P)
2	2186649B	HANDLE (BLACK) (S/P)
2	2186649W	HANDLE (WHITE) (S/P)
3	2182181	THIMBLE-TOP (S/P)
4	489491	SCREW (S/P)
6	2309718	TRIVET (4) (S/P)
7	3400012	SCREW (S/P)
8	2159082	DOOR GASKET, MAGNETIC (BLACK) (S/P)
8	2159074	DOOR GASKET, MAGNETIC (MIST BEIGE) (S/P)
9	2209681	TRIM, DOOR SHELF (S/P)
10	488500	SCREW (S/P)
11	2311641	WIRE HARNESS (S/P)
12	2182179	DOOR CLOSER, UPPER CAM (S/P)
13	489420	SCREW (S/P)
14	2206629	BRACKET, DOOR STOP (CHROME) (S/P)
14	2206629B	BRACKET, DOOR STOP (BLACK) (S/P)
17	2194969B	EXTENSION, BOTTOM (BLACK) (S/P)
17	2194969W	EXTENSION, BOTTOM (WHITE) (S/P)
18	2194973B	EXTENSION, TOP (BLACK) (S/P)
18	2194973W	EXTENSION, TOP (WHITE) (S/P)
21	3400852	SCREW (S/P)
22	2195327	CLIP (S/P)
23	2154473	CONNECTOR (S/P)

Distribuidor Autorizado

SurteRápido.com

Venta de Refacciones
Electrodomesticas

ED5VHEXTB01 DISPENSER FRONT





ED5VHEXTB01 DISPENSER FRONT

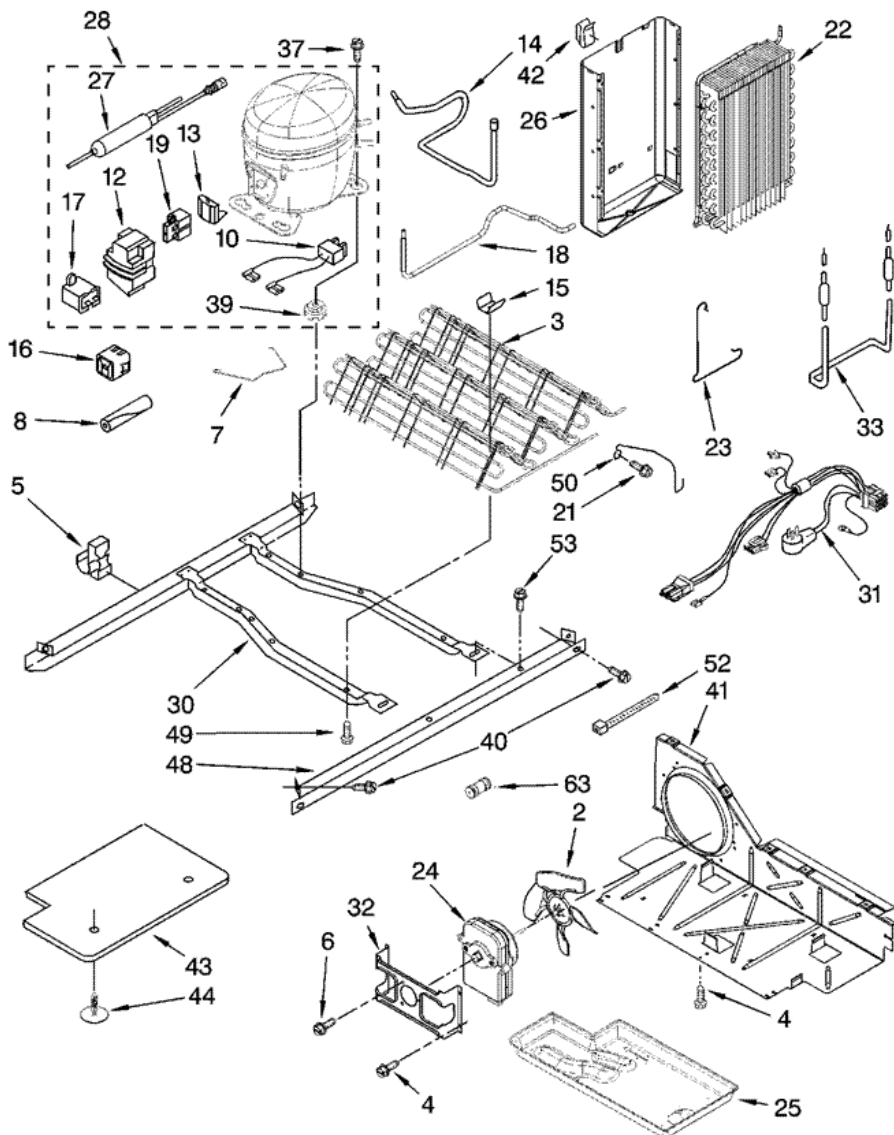
1	*****	HOUSING, DISPENSER (NOT SERVICED)
2	3196537	SCREW (S/P)
3	2194719	RETAINER, LEVERS
4	2304772	SPRING, TORSION (S/P)
5	2196195	PIN (S/P)
6	2180353	DOOR, ICE
7	8201649	DOOR MECHANISM ASSEMBLY
8	8201649	MECHANISM DELAY
9	2206670B	GRILLE, OVERFLOW (BLACK) (S/P)
9	2206670W	GRILLE, OVERFLOW (WHITE) (S/P)
10	8201537	WATER FITTING ASSEMBLY (S/P)
11	2255431B	LEVER, ICE DISPENSER (BLACK) (S/P)
11	2255431W	LEVER, ICE DISPENSER (WHITE) (S/P)
12	2180224	GUIDE, ICE
13	2180200	LAMP HOLDER (S/P)
14	2162361	SWITCH (2) (S/P)
15	2180226	BRACKET, CONTROL
16	3406124	BULB, LIGHT (S/P)
17	2255432B	LEVER, WATER DISPENSER (BLACK) (S/P)
17	2255432W	LEVER, WATER DISPENSER (WHITE) (S/P)
18	*****	SWITCH ASSEMBLY (NOT SERVICED)
19	*****	OVERLAY, FRONT COVER (NOT SERVICED)
20	2180236	WIRE ASSEMBLY (S/P)
21	*****	FRONT COVER, HOUSING (NOT SERVICED)
22	489000	SCREW (S/P)
23	2311694B	FRONT COVER ASSEMBLY (BLACK) (S/P)
23	2311694W	FRONT COVER ASSEMBLY (WHITE) (S/P)
24	625834	SPACER, SWITCH (2) (S/P)
25	2195051	STRAIN RELIEF (S/P)
26	2304673	BRACKET, DISPENSER (S/P)
27	2252127	SLEEVE, DELAY MECHANISM (S/P)

Distribuidor Autorizado

SurteRápido.com

Venta de Refacciones
Electrodomesticas

ED5VHEXTB01 UNIT





ED5VHEXTB01 UNIT

2	8201630	FAN, BLADE (S/P)
3	2223953	CONDENSER ASSEMBLY (S/P)
4	489464	SCREW (S/P)
5	2208280	CLIP, WIRE (S/P)
6	8533993	SCREW (S/P)
7	2255199	CLIP, RETAINING (S/P)
8	2162499	SLEEVE (S/P)
10	2172890	WIRE, CAPACITOR (SERVICE ONLY) (S/P)
12	2162358	COVER, TERMINAL (SERVICE ONLY) (S/P)
13	2154697	OVERLOAD (SERVICE ONLY) (S/P)
14	2205765	TUBE SUCTION (S/P)
15	2216914	CLIP, CONDENSER(2) (S/P)
16	2319792	START DEVICE (S/P)
17	2169373	CAPACITOR (SERVICE)
17	2169373	CAPACITOR (PRODUCTION)
18	2261599	TUBE, CONDENSER TO HEAT LOOP (S/P)
19	2262185	RELAY (SERVICE ONLY)
21	489478	SCREW (S/P)
22	2188823	EVAPORATOR (S/P)
23	2161324	CLAMP (S/P)
24	2188874	FAN, MOTOR
25	842041	TRAY, EVAPORATOR (S/P)
26	2217194	HEAT SHIELD (S/P)
27	2317845	DRIER (SERVICE) (S/P)
27	4387019	DRIER (PRODUCTION) (S/P)
28	8201558	COMPRESSOR (S/P)
30	2304904	UNIT MOUNTING FRAME (S/P)
31	2187783	UNIT, HARNESS (INCLUDES POWER CORD) (S/P)
32	2181929	FAN, MOTOR BRACKET (S/P)
33	2188175	HEATER, DEFROST
37	4388295	SCREW (S/P)
39	4387558	GROMMET (4) (SERVICE) (S/P)
39	4388295	GROMMET (4) (PRODUCTION) (S/P)

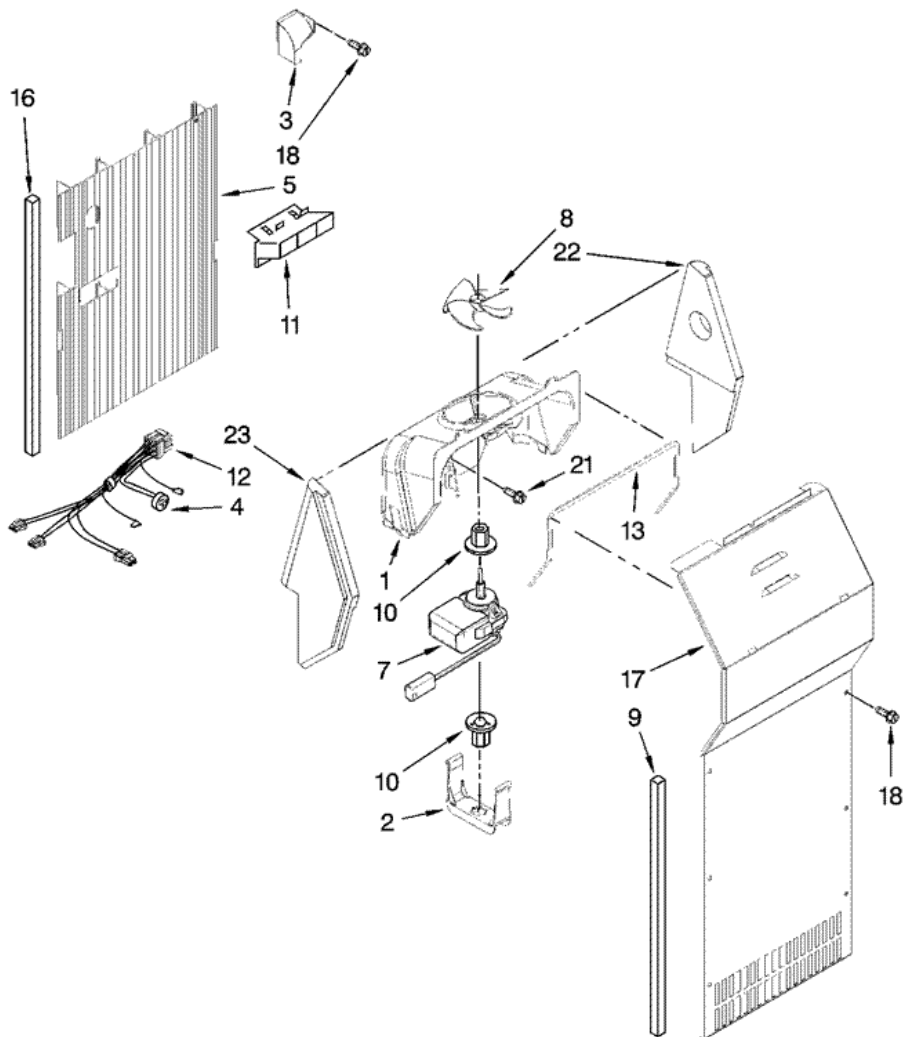
40	489340	SCREW (5) (S/P)
41	2196202	AIR BAFFLE (S/P)
42	2155547	CLIP, HEAT SHIELD DESCONTINUADO
43	2206281	UNIT COVER, BOTTOM (S/P)
44	489396	CLIP (S/P)
48	2305374	UNIT MOUNTING RAIL (S/P)
49	8281232	SCREW (S/P)
50	2260517	GUARD, FAN (S/P)
52	2263990	STRAP (S/P)
53	489427	SCREW (S/P)
63	2209709	UNION (S/P)

Distribuidor Autorizado

SurteRápido.com

Venta de Refacciones
Electrodomesticas

ED5VHEXTB01 AIR FLOW





ED5VHEXTB01 AIR FLOW

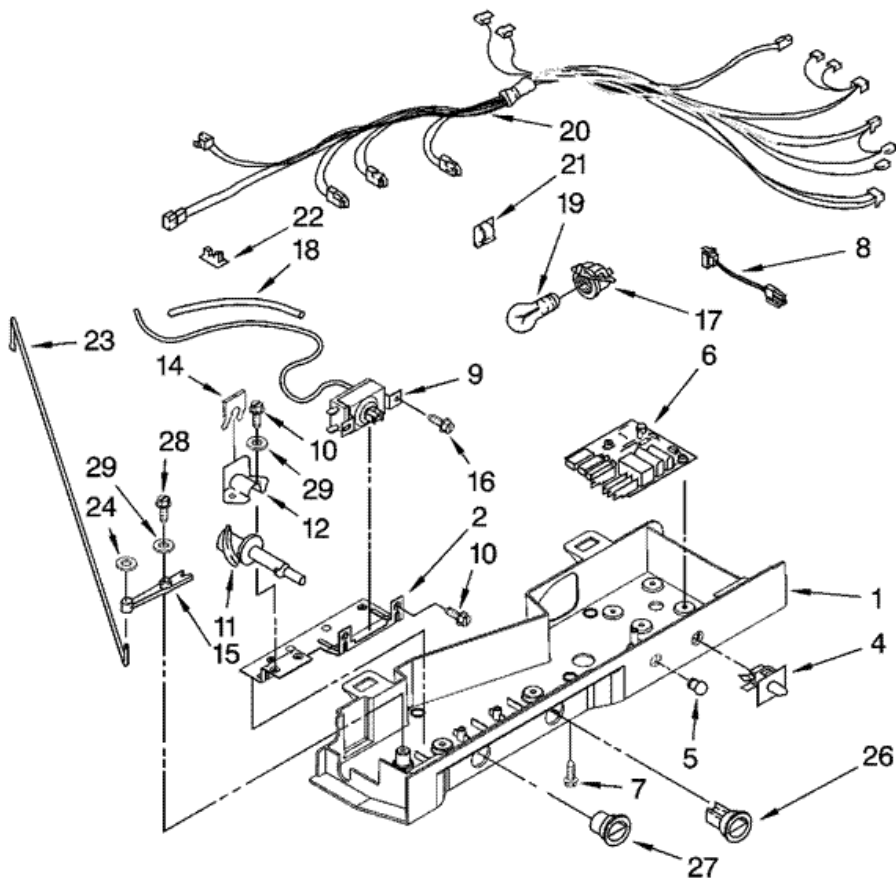
1	2182120	FAN SCROLL (S/P)
2	2155590	RETAINER, FAN MOTOR (S/P)
3	2161231	AIR SCOOP (S/P)
4	2319914	BI-METAL, DEFROST
5	4388356	AIR DUCT FREEZER (S/P)
7	4389144	FAN MOTOR
8	2169142	FAN BLADE (S/P)
9	2304241	GASKET, EVAPORATOR COVER (2) (S/P)
10	2176759	FAN GROMMET (2) (S/P)
11	2182146	DUCT, ICEMAKER (S/P)
12	2310114	HARNESS, FAN EVAPORATOR (INCLUDES 4) (S/P)
13	2155789	GASKET, FAN SCROLL (S/P)
16	4388500	GASKET (S/P)
17	4388356	COVER, EVAPORATOR (S/P)
18	8281159	SCREW (6) (S/P)
21	489478	SCREW (S/P)
22	4388358	SUPPORT, R.S (S/P)
23	4388358	SUPPORT, L.S (S/P)

Distribuidor Autorizado

SurteRápido.com

Venta de Refacciones
Electrodomesticas

ED5VHEXTB01 CONTROL

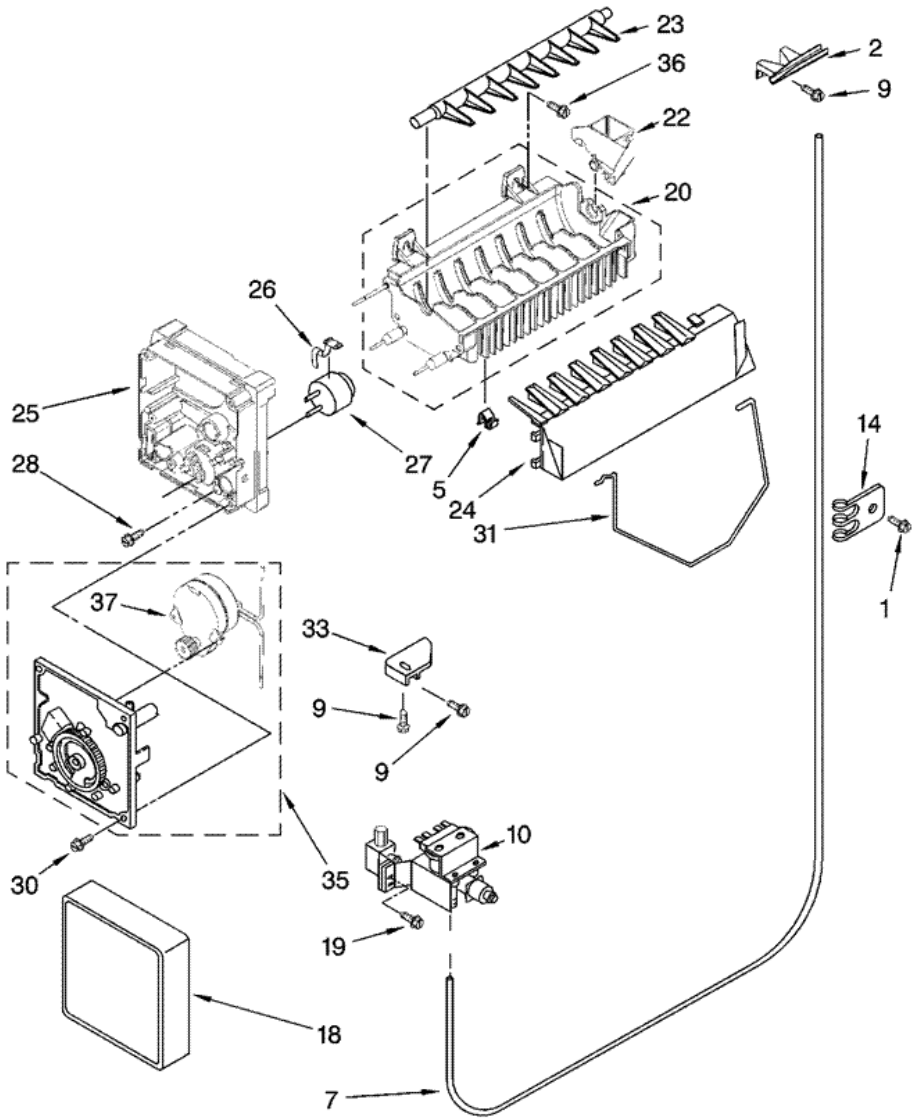




ED5VHEXTB01 CONTROL

1	2311968	CONTROL BOX (S/P)
2	2311611	MOUNTING BRACKET (S/P)
4	116849	LIGHT SWITCH (S/P)
5	2200096	COVER, LIGHT LENS (S/P)
6	2303822	ELECTRONIC CONTROL
7	489398	SCREW (2) (S/P)
8	2213462	LED ASSEMBLY (S/P)
9	2198202	THERMOSTAT
10	3196537	SCREW (S/P)
11	2182195	CAM ASSEMBLY (S/P)
12	1110560	BEARING BODY (S/P)
14	2196062	DAMPER CONTROL (S/P)
15	1110559	PIVOT ARM (S/P)
16	487869	SCREW (2) (S/P)
17	4387478	LIGHT SOCKET
18	2196003	TUBE BARRIER, THERMOSTAT (S/P)
19	2311792	LIGHT BULB (S/P)
20	2311632	CONTROL BOX HARNESS (S/P)
21	1115374	CLIP, WIRING (S/P)
22	1115375	CLIP, WIRING (S/P)
23	2311631	CONNECTING ROD (S/P)
24	489285	FASTENER, PUSH-ON (S/P)
26	2311614	THERMOSTAT KNOB (S/P)
27	2311615	CONTROL KNOB (S/P)
28	627068	SCREW (S/P)
29	489203	SPRING WASHER (S/P)

ED5VHEXTB01 ICE MAKER





ED5VHEXTB01 ICE MAKER

1	489084	SCREW (S/P)
2	2209774	CHUTE, WATER (S/P)
5	628379	CLIP, FUSE (S/P)
7	4387492	TUBE, WATER (S/P)
9	489478	SCREW (S/P)
10	4389177	FILTER VALVE ASM
14	488366	TUBE CLIP (S/P)
18	2174155	COVER (S/P)
19	488649	SCREW (S/P)
20	628228	MOLD & HEATER ASSEMBLY (S/P)
22	2187464	CUP, WATER FILL (S/P)
23	627843	EJECTOR (S/P)
24	2182124	ICE STRIPER (S/P)
25	2195914	SUPPORT (S/P)
26	2315522	RETAINER, THERMOSTAT (S/P)
27	627985	THERMOSTAT
28	8533917	SCREW (S/P)
30	489276	SCREW (S/P)
31	2304354	SHUT OFF ARM (S/P)
33	628320	BRACKET (S/P)
35	8201515	MODULE ASSEMBLY (INCLUDES 37) (S/P)
36	488208	SCREW (S/P)
37	*****	MOTOR (NOT SERVICED)
100	626661	COMPLETE ICEMAKER ASSEMBLY (S/P)