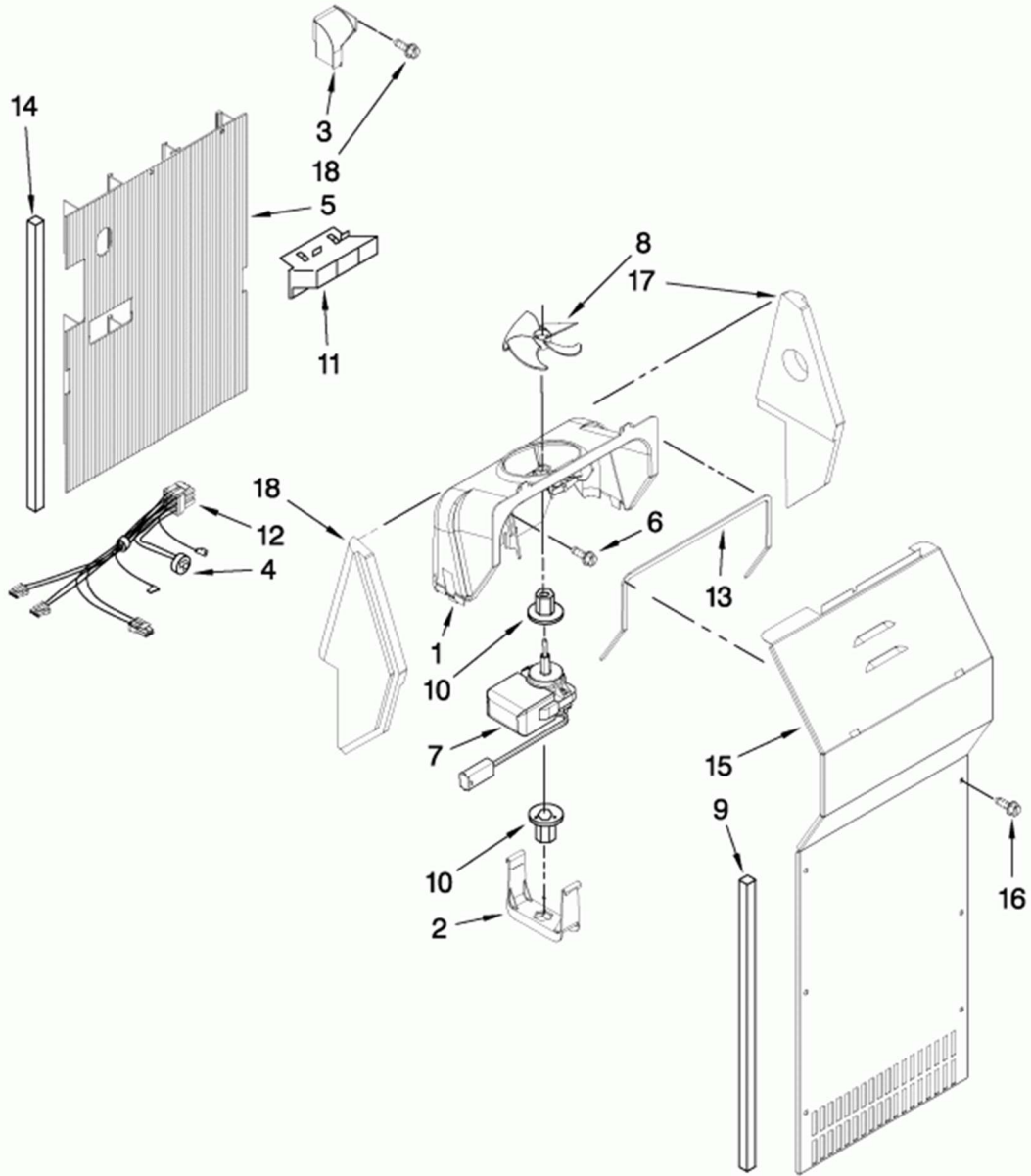


AIR FLOW PARTS

For Models: ED5VHEXVQ01, ED5VHEXVB01, ED5VHEXVL01
(White) (Black) (Stainless-VCM)



FOR ORDERING INFORMATION REFER TO PARTS PRICE LIST

W10242505

17

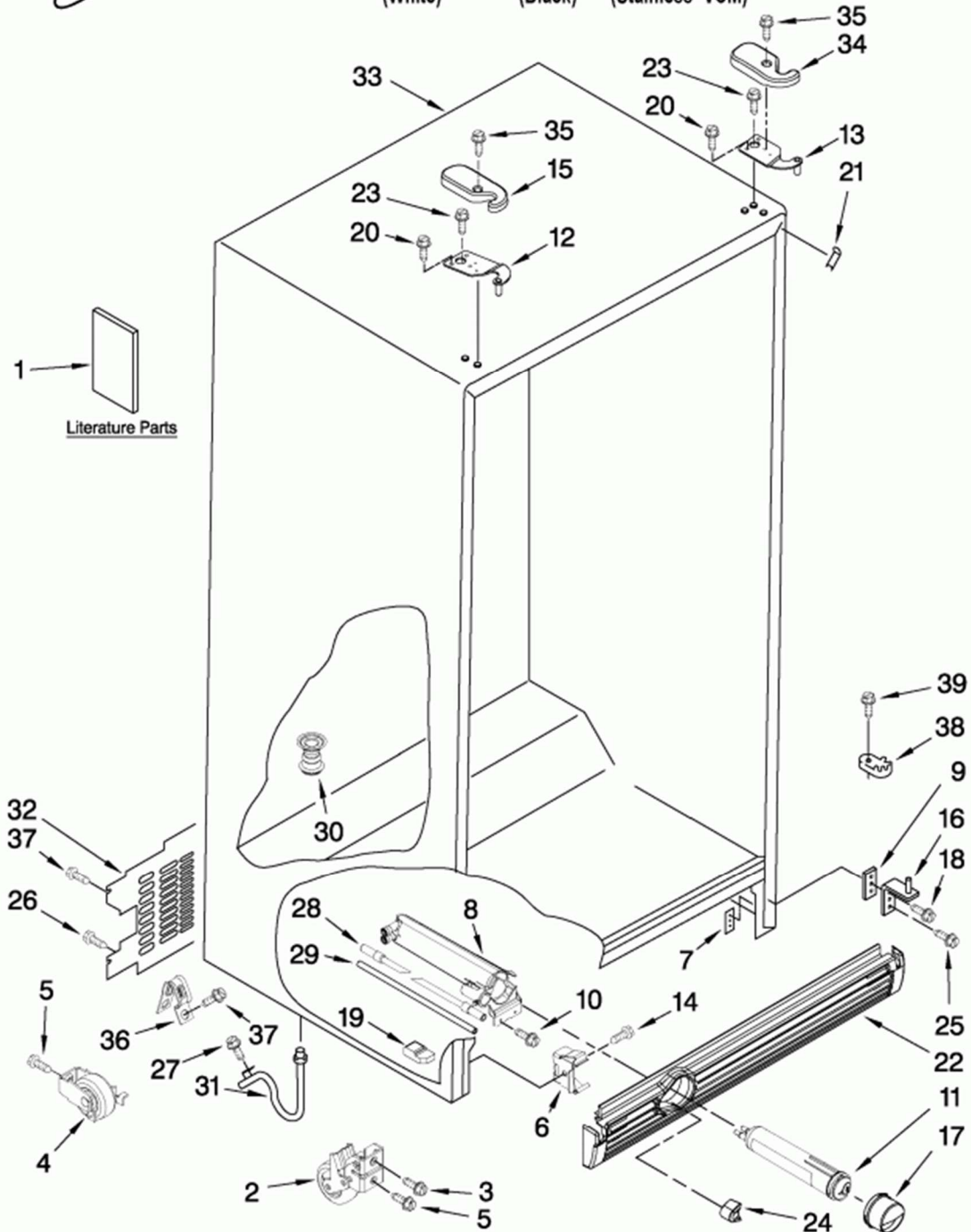
| No. Guía | Descripción | Código |
|----------|----------------------------------|-------------|
| 1 | Scroll, Fan | WP2182120 |
| 2 | Fan Motor Retainer/Bracket | WP2155590 |
| 3 | Scoop-Air Assembly | W10803597 |
| 4 | Bi-Metal Defrost Thermostat | WPW10225581 |
| 5 | COVER-EVAP | 4388356 |
| 6 | Screw | WP489478 |
| 7 | Evaporator Fan Motor - 120V 60Hz | 4389144 |
| 8 | Evaporator Fan Blade | WP2169142 |
| 9 | Evaporator Cover Gasket | WP2304241 |
| 10 | Fan Grommet | WP2176759 |
| 11 | DUCT | 2182146 |
| 12 | HARNS-WIRE | W11084324 |
| 13 | Gasket, Fan Scroll | WP2155789 |
| 14 | GASKET | 4388500 |
| 15 | COVER-EVAP | W10194476 |
| 16 | SCREW | 4389654 |
| 17 | SUPPORT | 4388358 |
| 18 | SUPPORT | 4388358 |



CABINET PARTS

For Models: ED5VHEXVQ01, ED5VHEXVB01, ED5VHEXVL01
(White) (Black) (Stainless-VCM)

REFRIGERATOR



FOR ORDERING INFORMATION REFER TO PARTS PRICE LIST

8-10 Litho In U.S.A. (wam) (eeb)

1

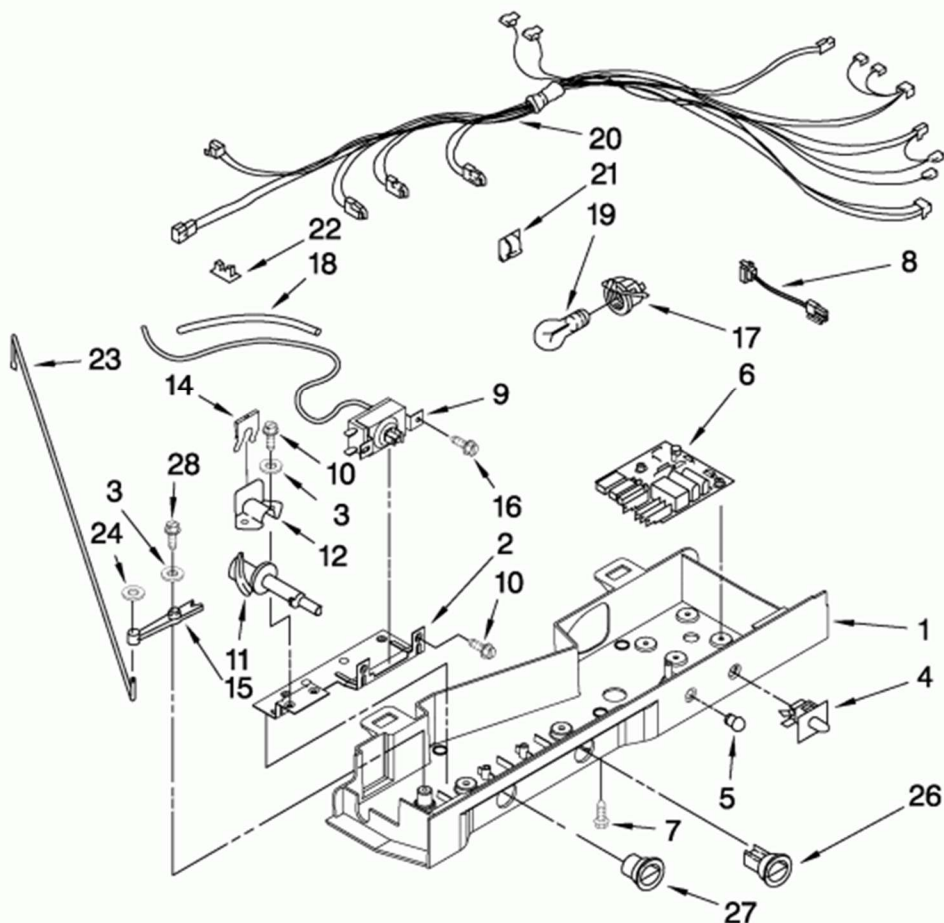
Part No. W10242505 Rev. B

| No. Guía | Descripción | Código |
|----------|--|-------------|
| 1 | Refrigerator Front Roller Kit | 4386774 |
| 2 | SCREW | W10850698 |
| 3 | SCREW | W10850698 |
| 4 | Rear Roller | WPW10250570 |
| 5 | Screw | WP489427 |
| 6 | Bottom Kickplate Clip | WP2155013 |
| 7 | Screw Plate | WP2304249 |
| 8 | Water Filter Housing | WPW10121138 |
| 9 | Hinge Shim | WP2209697 |
| 10 | Screw | WP489500 |
| 11 | Whirlpool EveryDrop3 Refrigerator Water Filter | EDR3RXD1 |
| 12 | Hinge - Top Left | WP2203770 |
| 13 | Top Hinge - Right Side | WP2203771 |
| 14 | Screw | WP489128 |
| 15 | Hinge Cover, FC (Black) | WP2203407B |
| 15 | Hinge Cover, FC (White) | WP2203407W |
| 16 | HINGE-DOOR | W10251408 |
| 17 | Water Filter Cap - Black | WP2260518B |
| 18 | Screw | WP489497 |
| 19 | INSULATION | 2260519 |
| 20 | SCREW | W10853301 |
| 21 | FILLER | W11252732 |
| 22 | Kickplate Grill - White | WPW10311032 |
| 22 | Kickplate Grille - Black | WPW10311033 |
| 23 | Screw | WP489497 |
| 24 | Button, Water Filter (Black) | WP2260503B |
| 25 | SCREW | W10856122 |
| 26 | Screw | WP488488 |
| 27 | Screw - 8-18 x 1/2 | WP489464 |
| 28 | Filter Inlet Water Tube | 8201597 |
| 29 | Water Tube | WPW10350006 |
| 30 | FITTING | W11566763 |
| 31 | TRIVET | W11512417 |
| 32 | Rear Compressor Cover | WP2188755 |
| 33 | NOT AVAILABLE | N/P |
| 34 | Hinge Cover, RC (White) | WP2203408W |
| 35 | Screw | WP8281227 |

| No. Guía | Descripción | Código |
|----------|------------------|-------------|
| 36 | USE WPL 3196256 | 549193 |
| 37 | Screw | WPW10141645 |
| 38 | Door Cam - Black | WPW10329686 |
| 39 | Screw | WP489483 |

CONTROL PARTS

For Models: ED5VHEXVQ01, ED5VHEXVB01, ED5VHEXVL01
(White) (Black) (Stainless-VCM)

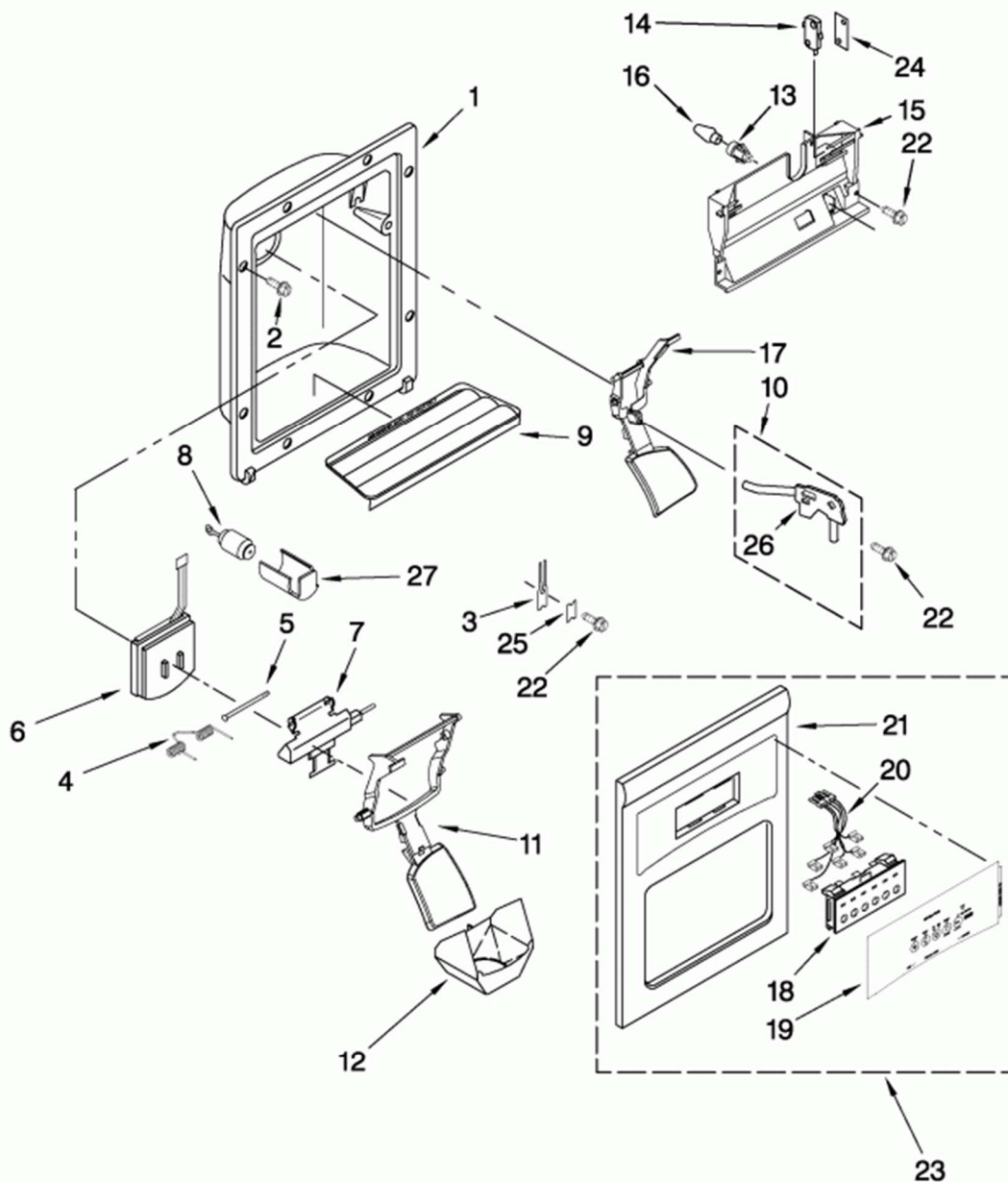


FOR ORDERING INFORMATION REFER TO PARTS PRICE LIST

| No. Guía | Descripción | Código |
|----------|---|-------------|
| 1 | Control Box | W10159858 |
| 2 | Mounting Bracket | 2311611 |
| 3 | WASHER | 489203 |
| 4 | Door Light Switch | WP2149705 |
| 5 | LENS-LIGHT | 2200096 |
| 6 | Defrost Control Board | WPW10366605 |
| 7 | Screw | 489392 |
| 8 | Refrigerator Indicator Light Wire Harness | W10853646 |
| 9 | Thermostat Assembly | WP2198202 |
| 10 | Screw | WP3196557 |
| 11 | Cam Assembly | WP2182195 |
| 12 | BEARING | 1110560 |
| 14 | Damper Control | WP2196062 |
| 15 | ARM-PIVOT | W11256541 |
| 16 | Screw | WP965173 |
| 17 | Light Socket Kit | 4387478 |
| 18 | Refrigerator Thermostat Sensor Barrier | WP2196003 |
| 19 | HARNS-WIRE | 2311632 |
| 20 | HARNS-WIRE | 2311632 |
| 21 | Clip, Wiring | WP1115374 |
| 22 | Wiring Clip | 1115375 |
| 23 | Connecting Rod | 2311631 |
| 24 | FASTENER | 489285 |
| 26 | KNOB-THERM | W10723843 |
| 27 | Air Control Knob - White | 2311615 |
| 28 | SCREW | 627068 |

DISPENSER FRONT PARTS

For Models: ED5VHEXVQ01, ED5VHEXVB01, ED5VHEXVL01
(White) (Black) (Stainless-VCM)



FOR ORDERING INFORMATION REFER TO PARTS PRICE LIST

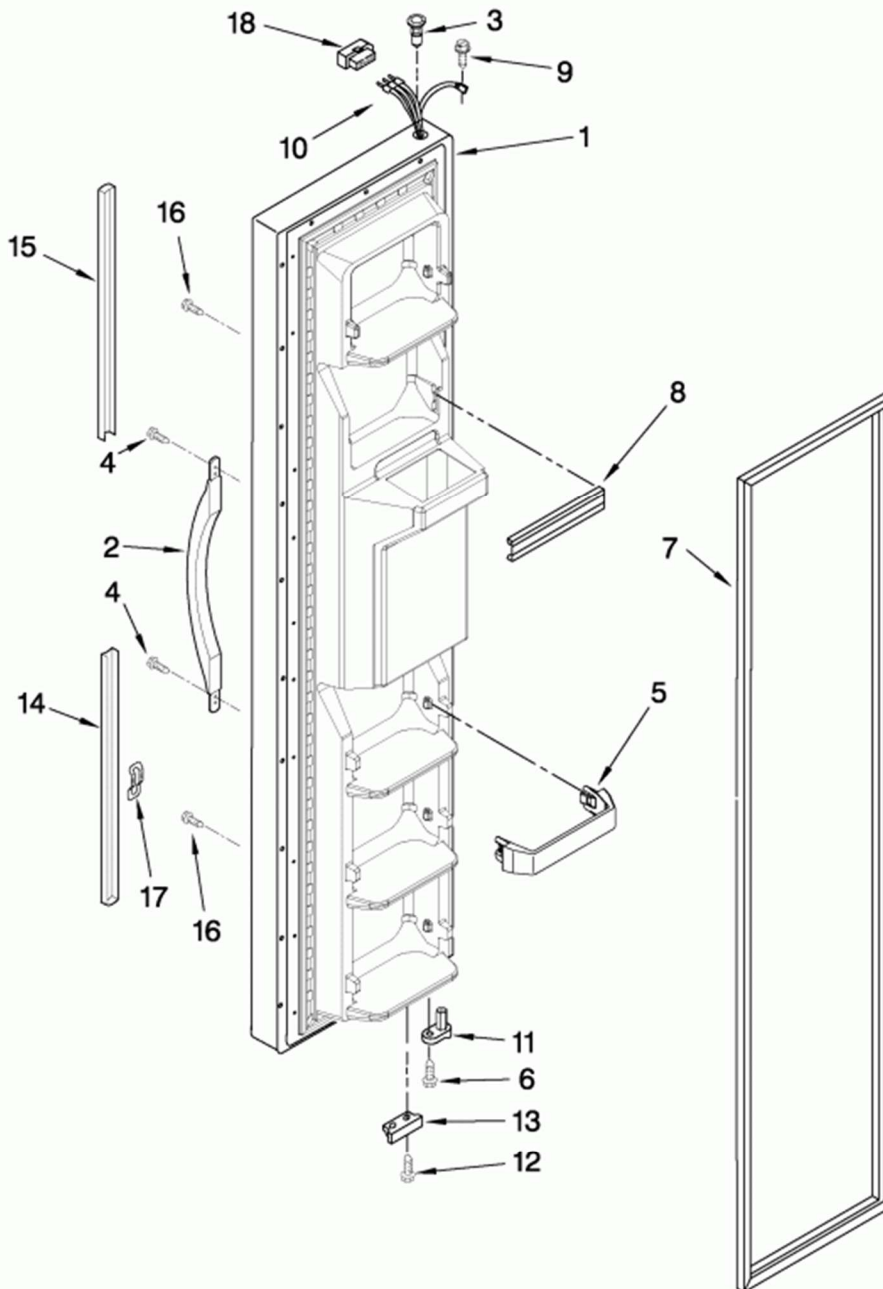
W10242505

13

| No. Guía | Descripción | Código |
|----------|---|-------------|
| 2 | Screw | WP3196557 |
| 3 | Levers Retainer/Clip | WP2194719 |
| 4 | Torsion Spring | WPW10224328 |
| 5 | Dispenser Door Pin | WP2196195 |
| 6 | Ice Dispenser Door Chute | WP2180353 |
| 7 | Ice Door Kit | W10823377 |
| 8 | Ice Door Kit | W10823377 |
| 9 | Refrigerator Dispenser Overflow Grille | WP2206670B |
| 10 | Water Dispenser Fitting and Tube Assembly | 8201537 |
| 11 | Lever, Ice Dispenser (White) | WPW10152853 |
| 11 | Lever, Ice Dispenser (Black) | WPW10152854 |
| 12 | Ice Guide | WP2180224 |
| 13 | SOCKET | 2180200 |
| 14 | Micro Switch | WP2162361 |
| 15 | Control Bracket | WP2180226 |
| 16 | Light Bulb - 10W | WP22002263 |
| 17 | Water Dispenser Lever - White | WPW10152858 |
| 18 | Dispenser Switch | WP2180236 |
| 19 | NOT AVAILABLE | N/P |
| 20 | HARNS-WIRE | W10281339 |
| 21 | NOT AVAILABLE | N/P |
| 22 | Screw | WP3400906 |
| 23 | COVER-FRNT | W10850436 |
| 24 | Spacer | 625834 |
| 25 | Strain Relief | WP2195051 |
| 26 | Bracket, Dispenser | WP2304673 |
| 27 | SLEEVE | 2252127 |

FREEZER DOOR PARTS

For Models: ED5VHEXVQ01, ED5VHEXVB01, ED5VHEXVL01
 (White) (Black) (Stainless-VCM)



FOR ORDERING INFORMATION REFER TO PARTS PRICE LIST

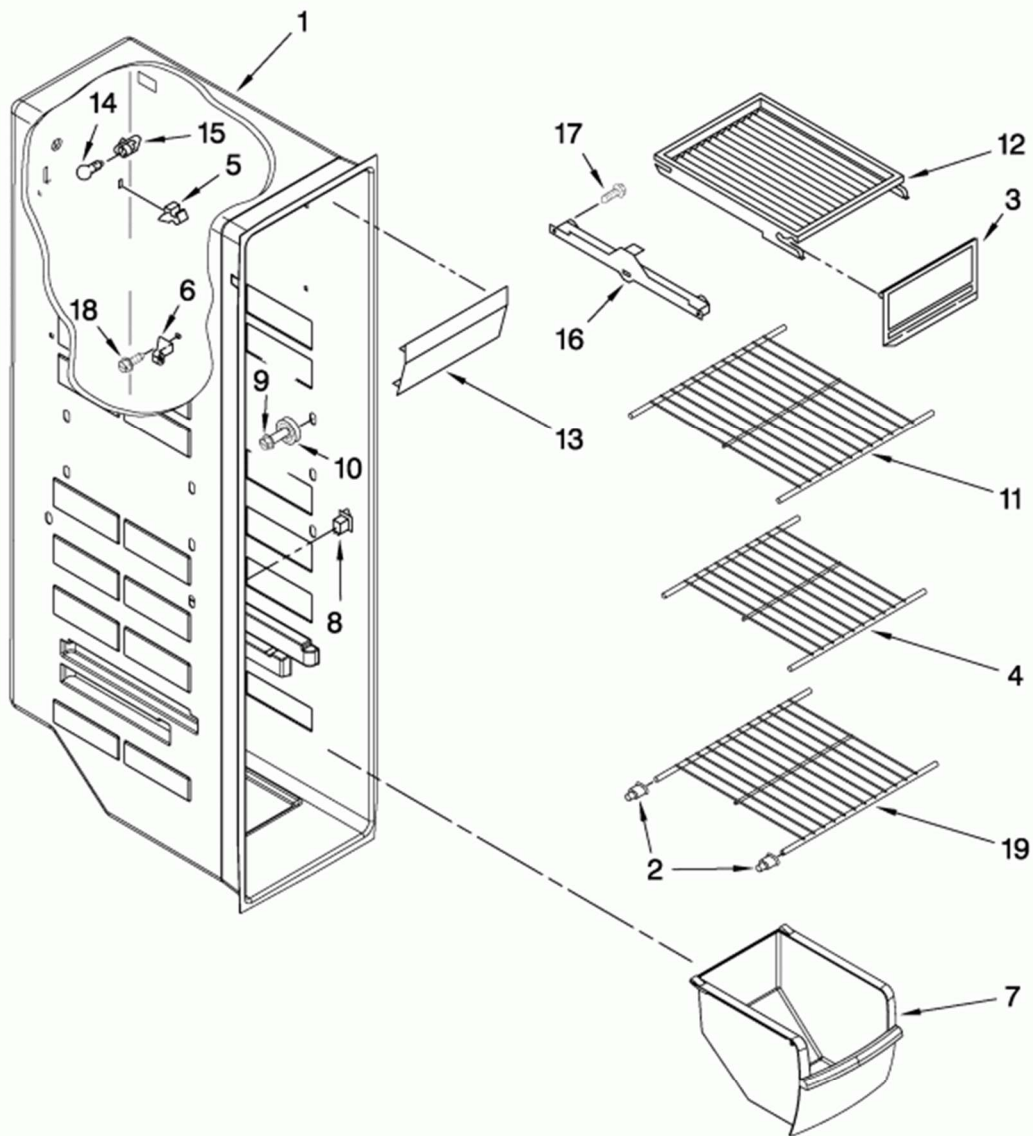
W10242505

11

| No. Guía | Descripción | Código |
|----------|-----------------------------|-------------|
| 1 | DOR-FIP White | LW10153767 |
| 2 | Door Handle - Black | WPW10285540 |
| 2 | Single Door Handle - White | WPW10285542 |
| 3 | Thimble Top | WP2182181 |
| 4 | Cabinet Mount Screw | WP489491 |
| 5 | Door Shelf Trim - White | WP2309718 |
| 6 | Installation Screw | WP3400012 |
| 7 | Freezer Door Gasket - White | 2159074 |
| 7 | Freezer Door Gasket - Black | 2159082 |
| 8 | Door Shelf Trim | WPW10307490 |
| 9 | Screw | WP489128 |
| 10 | Wire Harness | 2311641 |
| 11 | Lower Door Closing Cam | WP2182179 |
| 12 | Screw | WP489483 |
| 13 | Bracket, Door Stop (Black) | WP2206629B |
| 14 | Extension | WP2194705B |
| 14 | Handle Extension - White | 2194705W |
| 15 | Handle Extension - Black | 2194707B |
| 15 | TRIM Assembly TOP, 25 | WP2194707W |
| 16 | Screw | WP3400852 |
| 17 | Door Handle Trim Clip | WP2195327 |
| 18 | Connector | WP2154473 |

FREEZER LINER PARTS

For Models: ED5VHEXVQ01, ED5VHEXVB01, ED5VHEXVL01
(White) (Black) (Stainless-VCM)



FOR ORDERING INFORMATION REFER TO PARTS PRICE LIST

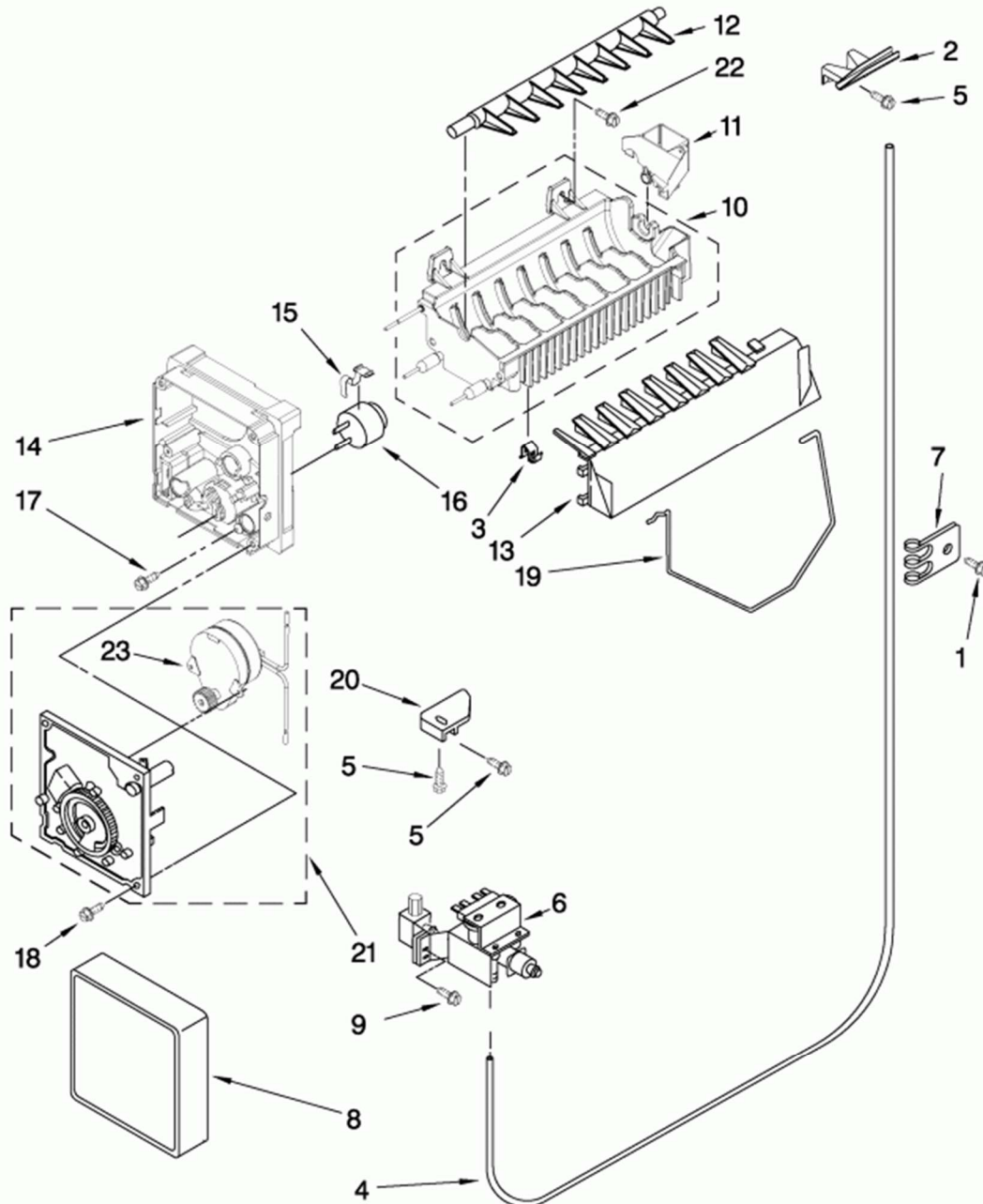
W10242505

5

| No. Guía | Descripción | Código |
|----------|-----------------------|-------------|
| 1 | NOT AVAILABLE | N/P |
| 2 | Cup | WPW10130299 |
| 3 | Door, Ice Compartment | WP2171713 |
| 4 | Wire Shelf | WPW10318948 |
| 5 | CLIP | 2215823 |
| 6 | Shelf Stud - White | 4388405 |
| 7 | BIN-FREEZR | W11577967 |
| 8 | SWITCH | W11457217 |
| 9 | Screw | WPW10191952 |
| 10 | STUD-SHELF | W11527119 |
| 11 | Wire Shelf | WPW10318947 |
| 12 | Shelf | WP2194297K |
| 13 | LENS-LIGHT | 2171705 |
| 14 | Light Bulb - 40W | 8009 |
| 15 | Light Socket Kit | 4387478 |
| 16 | TRACK | W10845585 |
| 17 | SCREW | 718257 |
| 18 | Screw, 8-18 x 5/8 | WP3400893 |
| 19 | Wire Shelf | WPW10318946 |

ICEMAKER PARTS

For Models: ED5VHEXVQ01, ED5VHEXVB01, ED5VHEXVL01
 (White) (Black) (Stainless-VCM)



FOR ORDERING INFORMATION REFER TO PARTS PRICE LIST

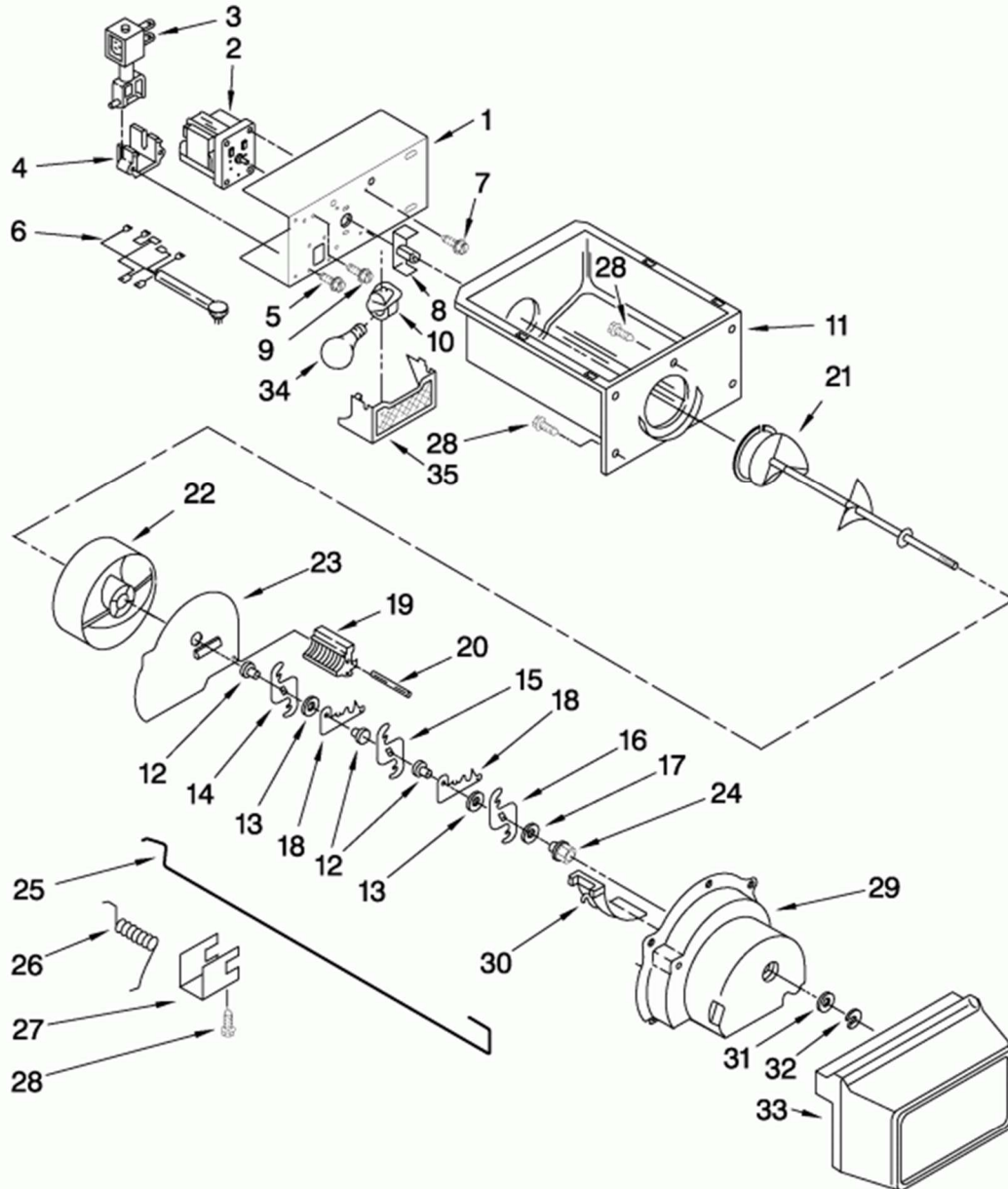
W10242505

19

| No. Guía | Descripción | Código |
|----------|-----------------------|-------------|
| 1 | Screw | WPW10141645 |
| 2 | CHUTE | W11505385 |
| 3 | Clip, Fuse | WP628379 |
| 4 | Water Tube Kit | W10823511 |
| 5 | Screw | WP489478 |
| 6 | Water Inlet Valve | W10408179 |
| 7 | Tube Clamp | WP488366 |
| 8 | Ice Maker Front Cover | WPW10289690 |
| 9 | Screw | WPW10141625 |
| 10 | Ice Mold | WPW10190929 |
| 11 | Water Fill Cup | W10122561 |
| 12 | Ejector Arm | WP627843 |
| 13 | ARM-STRIPR | WPW10122563 |
| 14 | Motor Housing | WP2195914 |
| 15 | Retainer, Thermostat | WP2315522 |
| 16 | Cycling thermostat | WP627985 |
| 17 | SCREW | 8533917 |
| 18 | Screw | WP681249 |
| 19 | ARM-SHUT | W11342242 |
| 20 | BRACKET | W11500948 |
| 21 | Icemaker Motor Kit | 8201515 |
| 22 | SCREW | 489136 |
| 23 | NOT AVAILABLE | N/P |
| 100 | Ice Maker | WPW10190965 |

MOTOR AND ICE CONTAINER PARTS

For Models: ED5VHEXVQ01, ED5VHEXVB01, ED5VHEXVL01
 (White) (Black) (Stainless-VCM)



FOR ORDERING INFORMATION REFER TO PARTS PRICE LIST

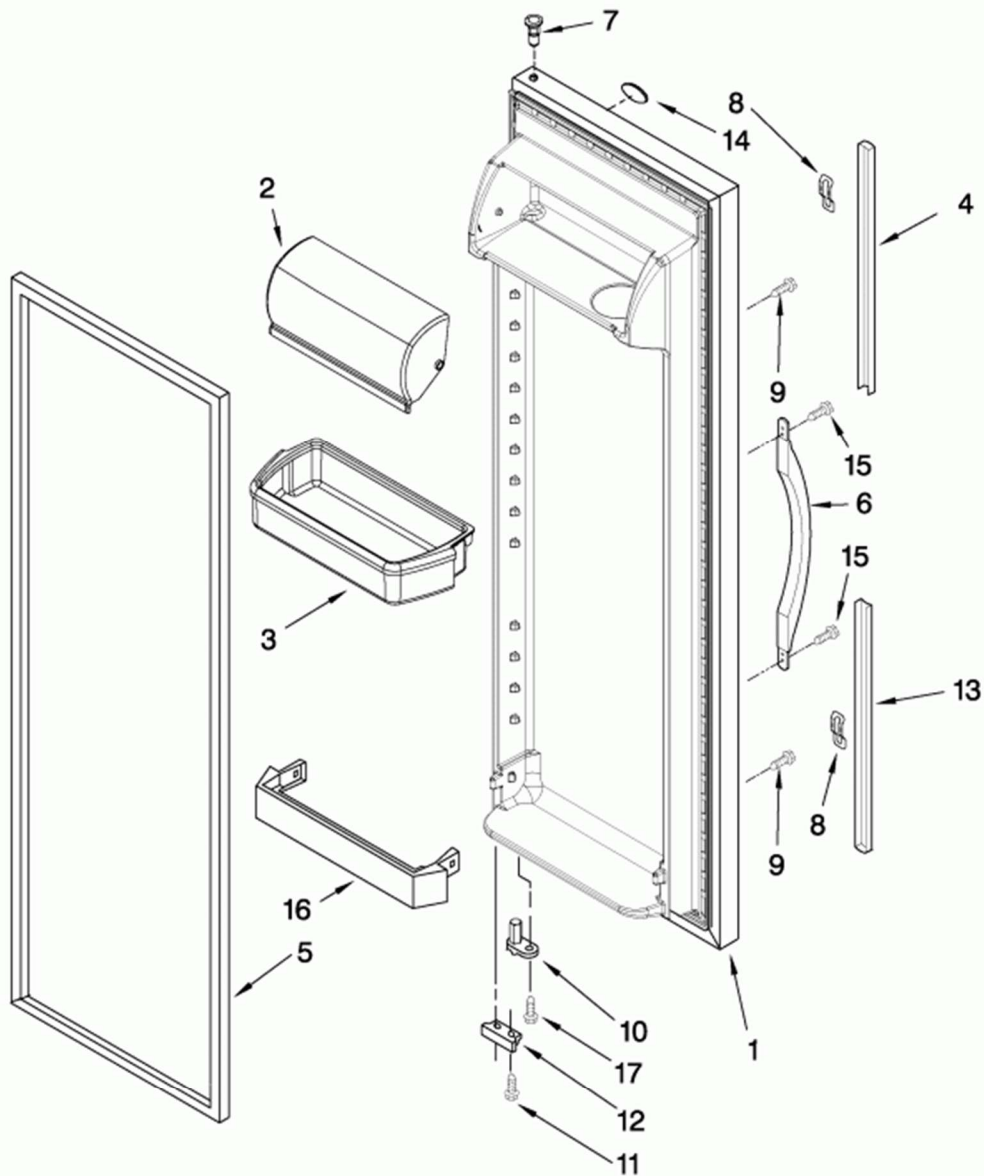
W10242505

7

| No. Guía | Descripción | Código |
|----------|--|-------------|
| 1 | Bracket | WPW10284485 |
| 2 | Auger Motor - 120V 60Hz | WPW10317991 |
| 3 | Soleniod Assembly | WP2152713 |
| 4 | GUIDE | W10850503 |
| 5 | Screw | W11233072 |
| 6 | HARNS-DISP | 2311639 |
| 7 | Screw | WP489399 |
| 8 | Ice Dispenser Motor Coupling | WPW10169511 |
| 9 | Screw | WP489478 |
| 10 | Light Socket Kit | 4387478 |
| 11 | Ice Bucket | WPW10670845 |
| 12 | Spacer, Step | WP1119005 |
| 13 | Single Flat Spacer | WP1119007 |
| 14 | BLADE | W10278731 |
| 15 | Rotary Blade | W10278732 |
| 16 | BLADE | W10278733 |
| 17 | Washer, Plain | WP489235 |
| 18 | BLADE | 1119009 |
| 19 | Block Blade | 2157405 |
| 20 | PIN-ROLL | 489229 |
| 21 | Ice Auger Kit | W10422851 |
| 22 | Ice Bin Auger Drum | 4388736 |
| 23 | Floating Baffle | W10852691 |
| 24 | Nut, Bearing | WP1119018 |
| 25 | ARM-CONTRL | W11596045 |
| 26 | SPRING | 1119020 |
| 27 | CLIP | 1119021 |
| 28 | Transformer Screw | WP488787 |
| 29 | Refrigerator Ice Crusher Housing | WPW10185018 |
| 30 | Deflector, Ice | WP1119017 |
| 31 | WASHER | 489234 |
| 32 | Retainer Ring | WP489236 |
| 33 | Refrigerator Ice Container Front Cover | W10457397 |
| 34 | Light Bulb - 40W | 8009 |
| 35 | Light Lens, Dispenser | WP2171706 |
| 100 | Ice Container and Auger Assembly | WPW10312300 |

REFRIGERATOR DOOR PARTS

For Models: ED5VHEXVQ01, ED5VHEXVB01, ED5VHEXVL01
 (White) (Black) (Stainless-VCM)



FOR ORDERING INFORMATION REFER TO PARTS PRICE LIST

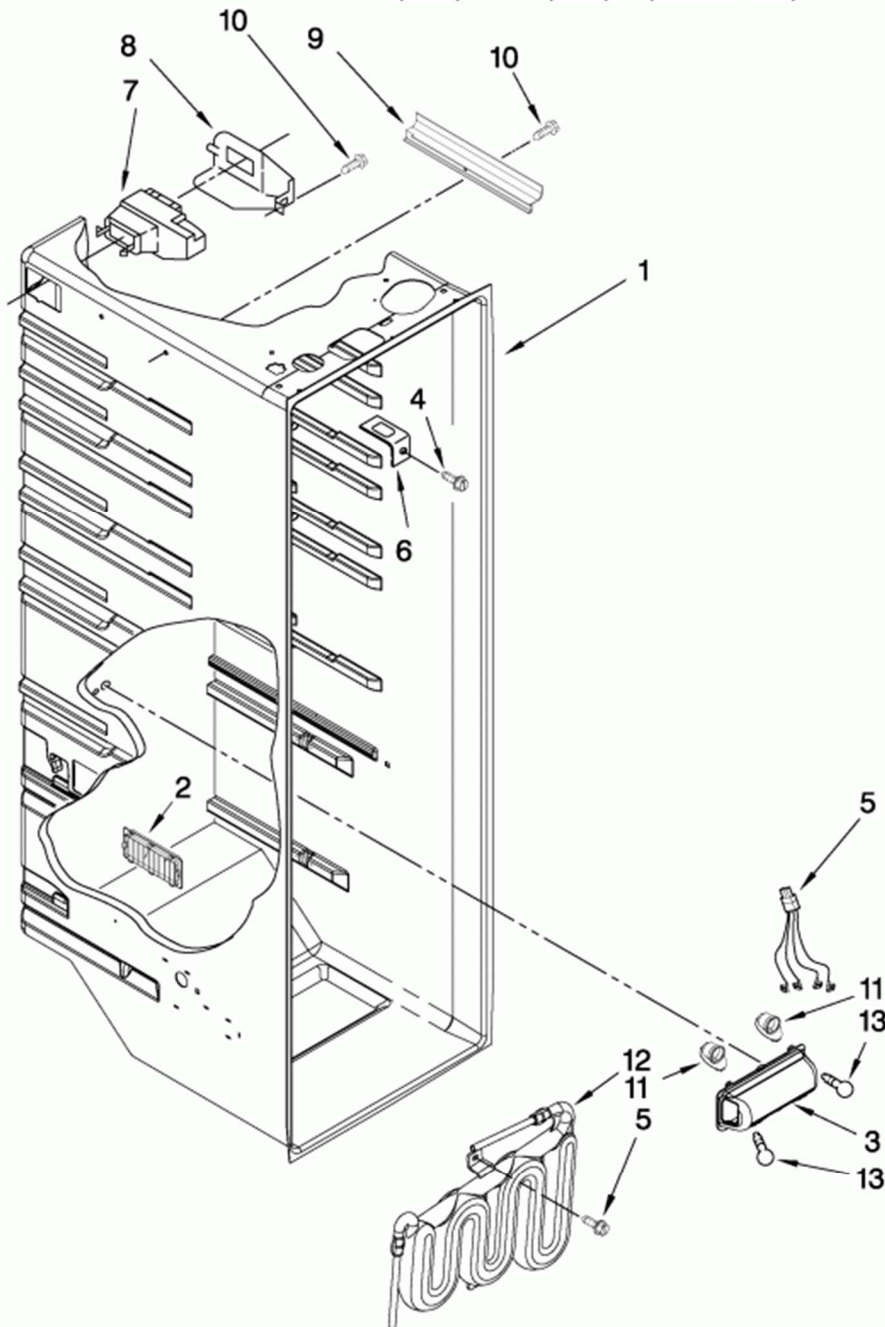
W10242505

9

| No. Guía | Descripción | Código |
|----------|---|-------------|
| 1 | DOR-FIP ST | L2309921L |
| 2 | Complete Dairy Compartment Door - Clear | WP2256101 |
| 3 | Refrigerator Door Shelf Bin - White | WP2187172 |
| 4 | TRIM Assembly TOP, 25 | WP2194707W |
| 4 | Handle Extension - Black | 2194707B |
| 5 | Fresh Food Door Gasket | 2159075 |
| 5 | Fresh Food Door Gasket - Black | 2159083 |
| 6 | Door Handle - Black | WPW10285540 |
| 6 | Single Door Handle - White | WPW10285542 |
| 7 | Thimble Top | WP2182181 |
| 8 | Door Handle Trim Clip | WP2195327 |
| 9 | Screw | WP3400852 |
| 10 | Lower Door Closing Cam | WP2182179 |
| 11 | Screw | WP489483 |
| 12 | Bracket, Door Stop (Black) | WP2206629B |
| 12 | Bracket, Door Stop (Black) | WP2206629B |
| 13 | Handle Extension - White | 2194705W |
| 14 | Nameplate | WP2213265 |
| 15 | Cabinet Mount Screw | WP489491 |
| 16 | Door Shelf | WP2309941 |
| 17 | Installation Screw | WP3400012 |

REFRIGERATOR LINER PARTS

For Models: ED5VHEXVQ01, ED5VHEXVB01, ED5VHEXVL01
(White) (Black) (Stainless-VCM)



FOR ORDERING INFORMATION REFER TO PARTS PRICE LIST

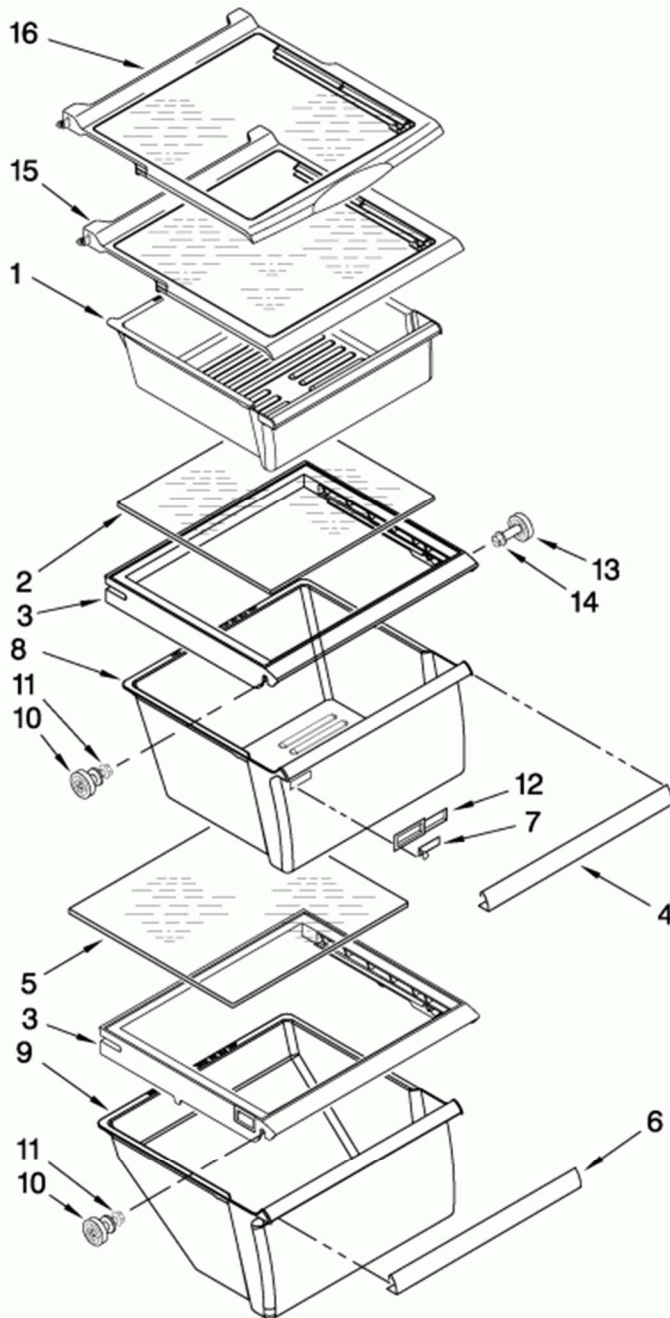
W10242505

3

| No. Guía | Descripción | Código |
|----------|------------------------|-------------|
| 1 | NOT AVAILABLE | N/P |
| 2 | LOUVER-CAB | 8201651 |
| 3 | LENS-LIGHT | W11239891 |
| 4 | Screw | WPW10141645 |
| 5 | SCREW | 798639 |
| 6 | Clip, Control Box (2) | 2311612 |
| 7 | Air Diffuser Assembly | WPW10151374 |
| 8 | COVER | 2152019 |
| 9 | COVER-WIRE | W10252495 |
| 10 | SCREW | W10759522 |
| 11 | Light Socket Kit | 4387478 |
| 12 | Water Reservoir Tubing | WPW10276792 |
| 13 | Light Bulb - 40W | 8009 |

REFRIGERATOR SHELF PARTS

For Models: ED5VHEXVQ01, ED5VHEXVB01, ED5VHEXVL01
 (White) (Black) (Stainless-VCM)

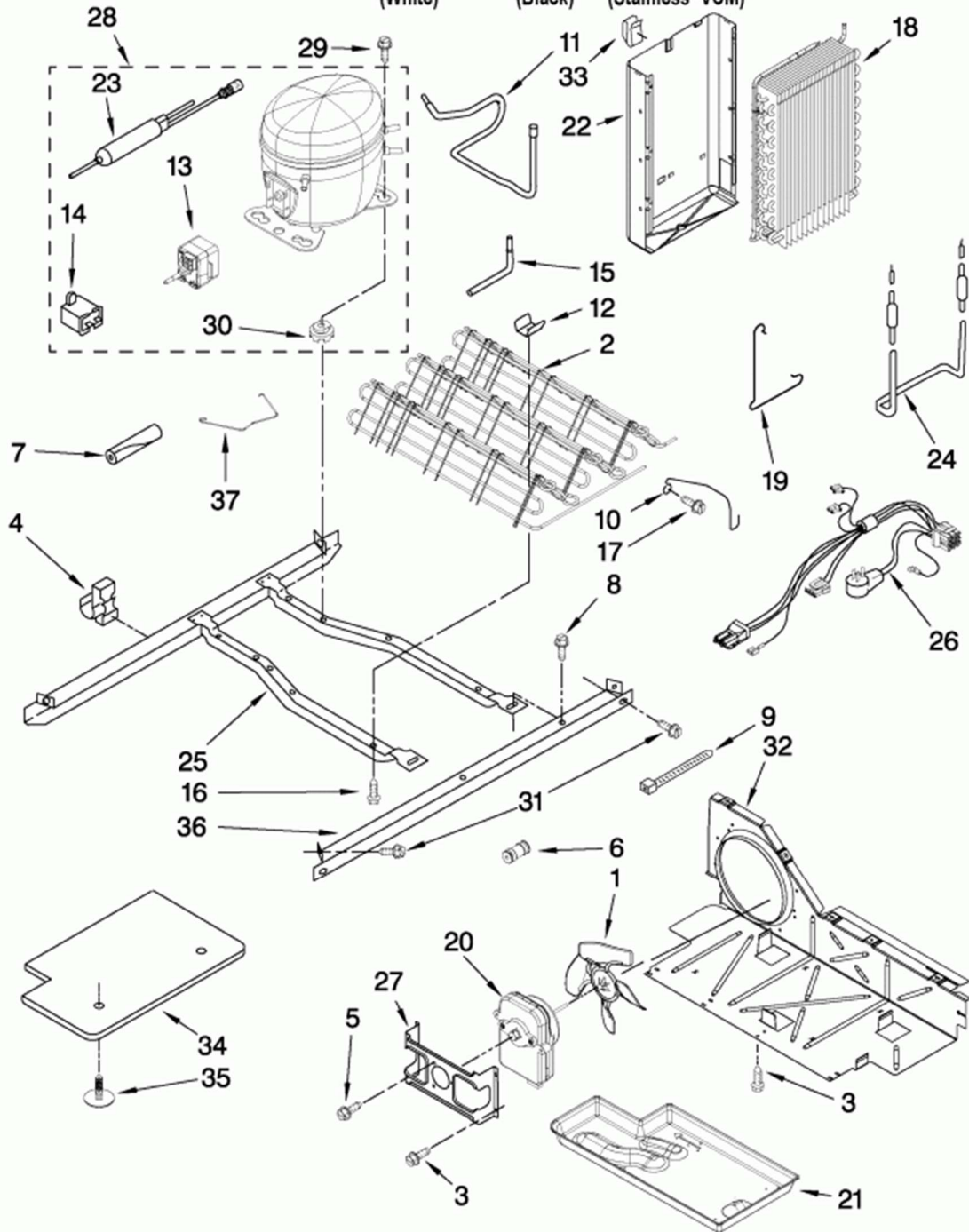


FOR ORDERING INFORMATION REFER TO PARTS PRICE LIST

| No. Guía | Descripción | Código |
|----------|---|-------------|
| 1 | Snack Pan - Clear | WP2309517 |
| 2 | Refrigerator Shelf Glass | W10864399 |
| 3 | Crisper Cover with Glass | W10508993 |
| 4 | Trim, Meat Pan | WP2179234 |
| 5 | Refrigerator Shelf Glass | W10864399 |
| 6 | Trim, Meat Pan | WP2179234 |
| 7 | Humidity Control Slide - Clear | WP2179342 |
| 8 | Refrigerator Crisper Drawer with Humidity Control | WP2188656 |
| 9 | Refrigerator Crisper Drawer With Handle | WP2188664 |
| 10 | Shelf Support | W11223328 |
| 11 | Screw WP3-24004- | 109 |
| 12 | Housing, Humidity Control | WP2179343 |
| 13 | STUD-SHELF | W11527119 |
| 14 | Screw | WPW10191952 |
| 15 | Refrigerator Shelf Frame with Glass | WPW10276341 |
| 16 | Refrigerator Slide-Out Shelf with Glass | WPW10276348 |

UNIT PARTS

For Models: ED5VHEXVQ01, ED5VHEXVB01, ED5VHEXVL01
(White) (Black) (Stainless-VCM)



FOR ORDERING INFORMATION REFER TO PARTS PRICE LIST

W10242505

15

| No. Guía | Descripción | Código |
|----------|--------------------------------|-------------|
| 1 | Fan Blade | W10156818 |
| 2 | Condenser Assembly | 2324712 |
| 3 | Screw | WP8533993 |
| 4 | CLIP | 2208280 |
| 5 | Screw | WP8533993 |
| 6 | Fitting | WPW10271540 |
| 7 | SLEEVE | W11661094 |
| 8 | Screw | WP489427 |
| 9 | Zip Tie | WPW10339879 |
| 10 | GUARD-FAN | 2260517 |
| 11 | TUBE | W10210786 |
| 12 | CLIP | W10683556 |
| 13 | Relay and Overload Combination | WPW10189190 |
| 14 | Capacitor | WPW10662129 |
| 15 | TUBE | W10274306 |
| 16 | SCREW | W11544659 |
| 17 | Screw | WP489478 |
| 18 | Evaporator | WP2188823 |
| 19 | Clip, Heater | WP2161324 |
| 20 | Condenser Fan Motor | WP2188874 |
| 21 | Evaporator Drip Tray | WPW10614158 |
| 22 | SHIELD | W10194475 |
| 23 | Drier (Service) | WPW10143759 |
| 24 | Heater, Defrost | WP2323198 |
| 25 | RAIL-UNIT | W10196313 |
| 26 | Wiring Harness | WPW10309395 |
| 27 | Fan, Motor Bracket | WP2181929 |
| 28 | COMPRESSOR | W10233961 |
| 29 | SCREW | W11661574 |
| 30 | GROMMET | 876811 |
| 31 | SCREW | 489340 |
| 32 | BAFFLE-AIR | W10896764 |
| 33 | CLIP,HEATING | 2155547 |
| 34 | COVER-UNIT | W10466698 |
| 35 | CLIP | 489396 |
| 36 | RAIL-UNIT | WPW10196323 |
| 37 | BALE STRAP EM2Z60HLT | W11661170 |