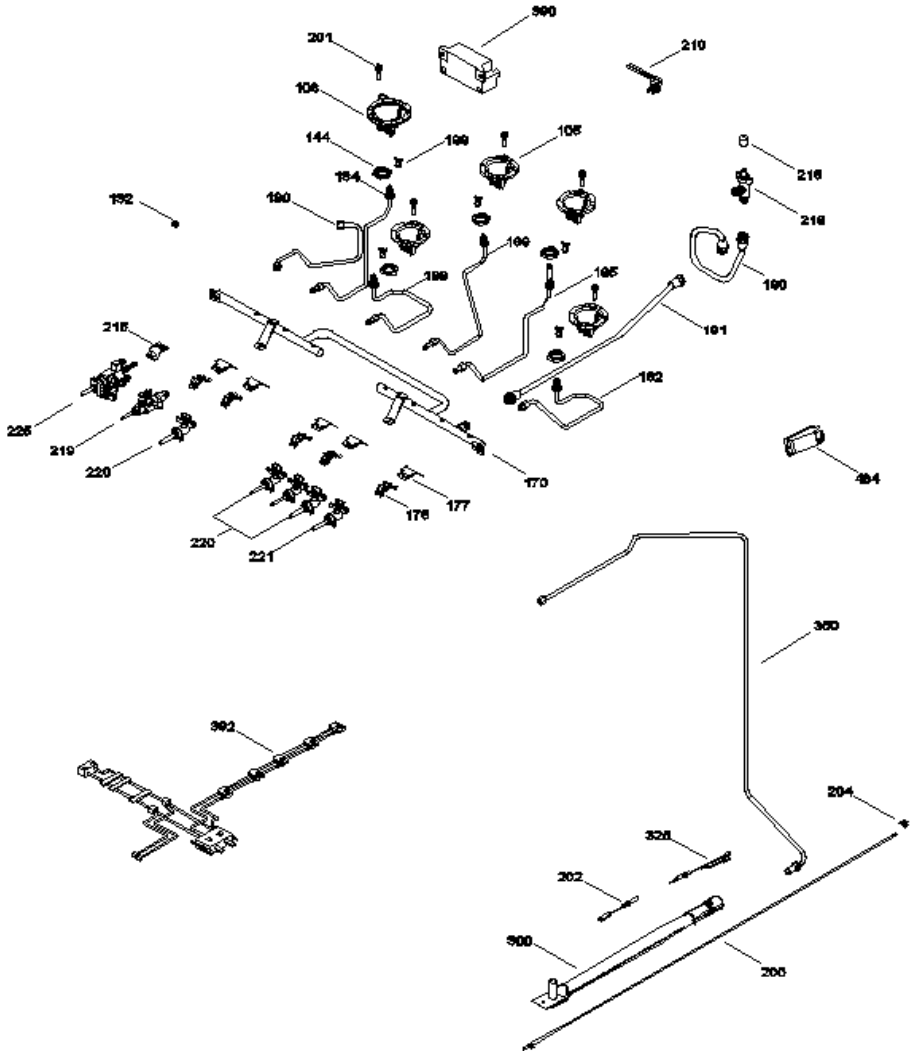


Distribuidor Autorizado

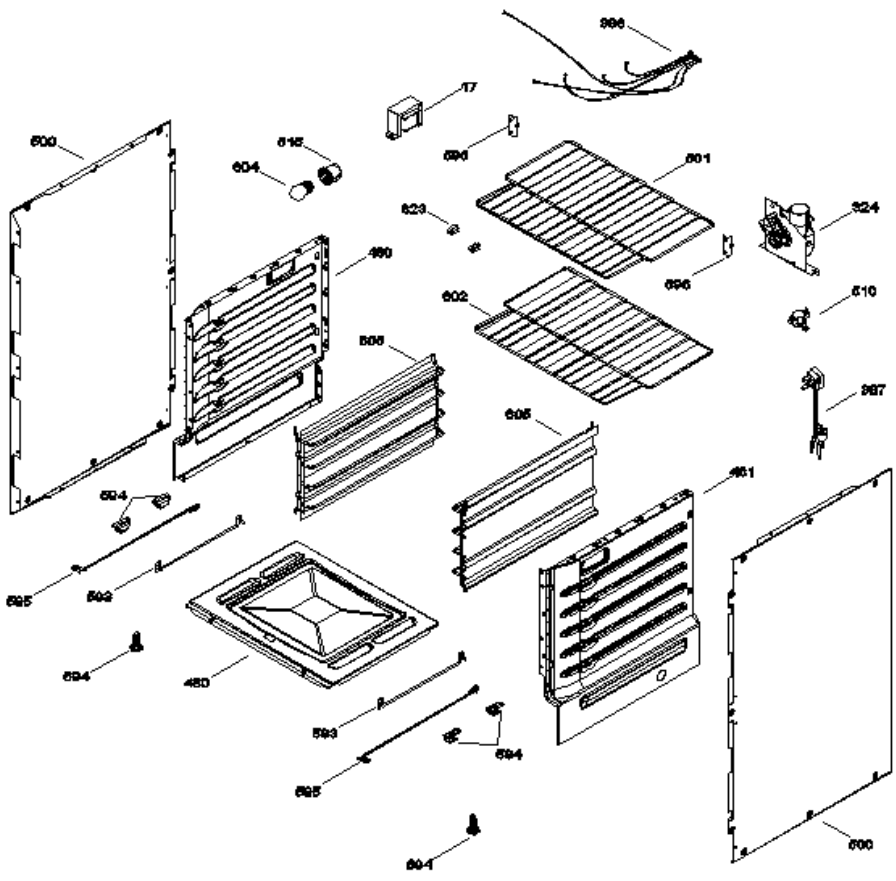
SurteRápido.com

Venta de Refacciones
Electrodomesticas

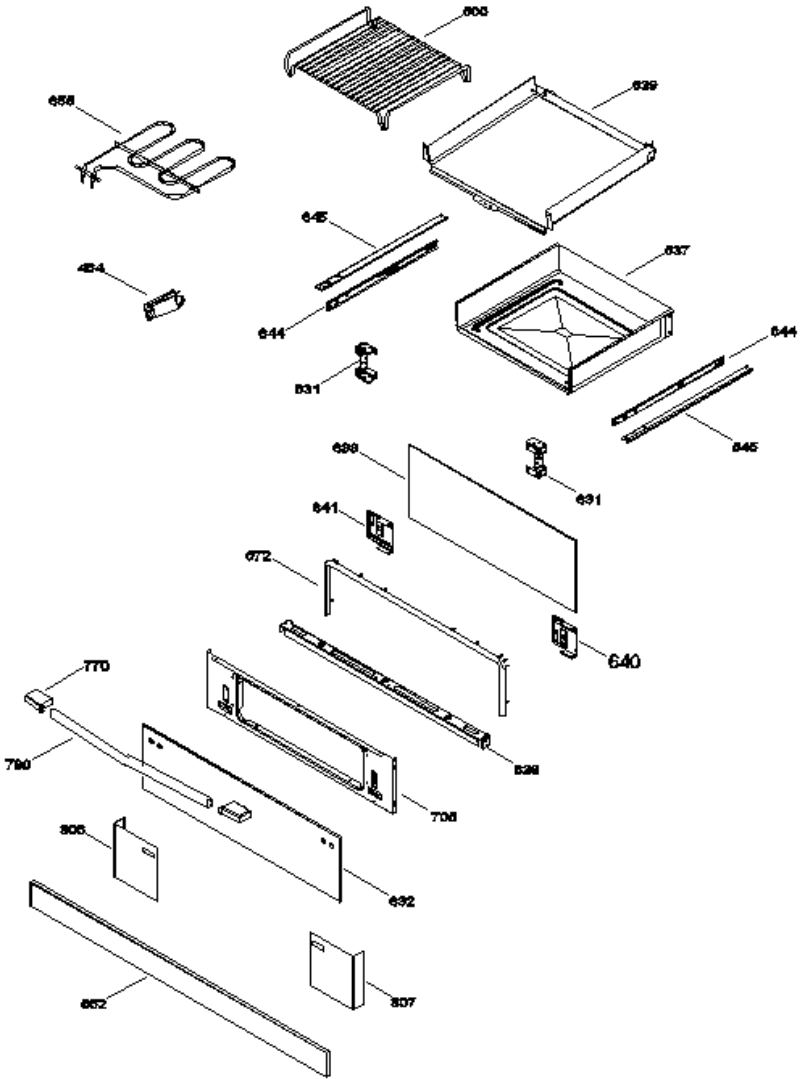
EG8007MB0A



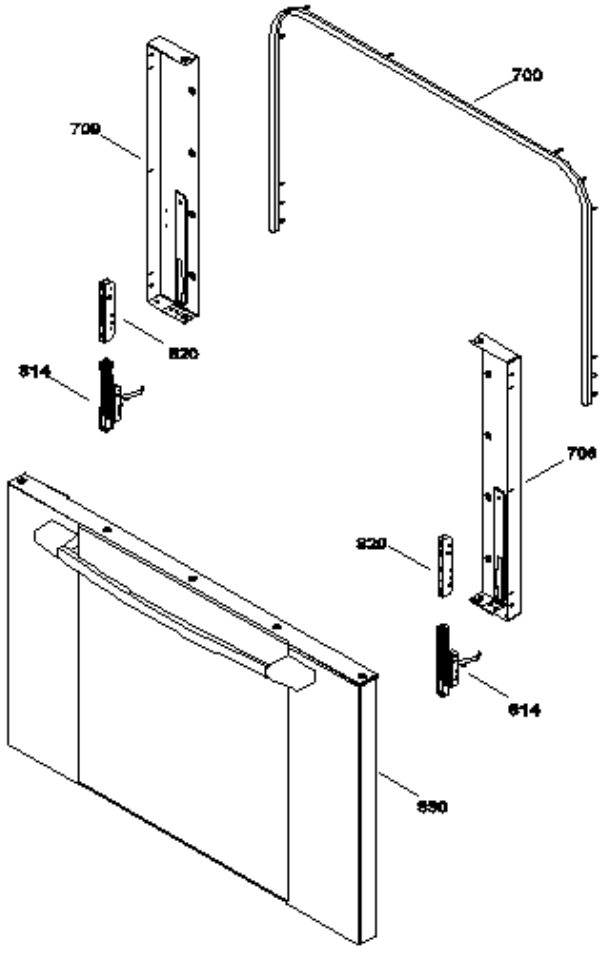
EG8007MB0A



EG8007MB0A



EG8007MB0A





EG8007MB0A

1	183D7514P002	PARRILLA SUPERIOR (S/P)
5	COMAL01	COMAL TEFLONIZADO
15	183D7618G003	ENSAMBLE CAPELO (S/P)
17	223C4481P001	TRANSFORMADOR (S/P)
20	223C3785P002	BISAGRA CAPELO NEGRA IZQUIERDA (S/P)
21	223C3785P001	BISAGRA CAPELO NEGRA DERECHA (S/P)
24	317B7131P001	BRACKET CUBIERTA (S/P)
25	317B7131P002	BRACKET CUBIERTA (S/P)
28	317B6750P001	AMORTIGUADOR CAPELO TRANSP. (S/P)
30	183D7476P001	REMATE CAPELO IZQ. (S/P)
31	183D7476P002	REMATE CAPELO DER. (S/P)
35	263B7504P002	PERNO (S/P)
46	223C3861P002	INSERTO CUBIERTA (S/P)
50	183D9487G008	CONTROL ELECTRONICO (S/P)
54	317B7056P001	INTERFAZ BOTON (S/P)
55	317B6724P001	BOTON RELOJ (S/P)
57	317B6975P001	SEPARADOR RELOJ (S/P)
58	223C4356P001	DEFLECTOR RELOJ (S/P)
90	223C3327G004MA	TAPA QUEMADOR 3" MATTE (S/P)
93	223C4172G004MA	TAPA QUEMADOR 4" MATTE (S/P)
95	317B6894P002	TAPA CHICA QUEMADOR MATE (S/P)
97	223C4031P002	ANILLO QUEMADOR MATE (S/P)
100	MAL820	QUEMADOR SUPERIOR 3"
105	183D8881P001	SOPORTE CUBIERTA MEDIANO (S/P)
106	183D8793P001	SOPORTE CUBIERTA XL (S/P)
107	183D8398P001	QUEMADOR TRIPLE ANILLO (S/P)
109	223C4501G001	QUEMADOR VISIÓN 15 K E (S/P)
113	183D8397P001	BASE QUEMADOR (S/P)
120	183D7177P059	CUBIERTA ESTUFA (S/P)
131	223C4415P001	SENSOR DE FLAMA (S/P)
132	317B6801P001	TUERCA SENSOR (S/P)
144	008788	TUERCA ECONOMICA (S/P)
170	183D9239G001	TUBO DE VALVULAS (S/P)

177	317B6883P001	BRACKET SUP. TUBO REDONDO (S/P)
178	317B6884P001	BRACKET INFERIOR TUBO REDONDO (S/P)
180	183D9477G001	TUBO FRONTAL IZQ (S/P)
182	183D9215P001	TUBO FRONTAL DER. (S/P)
184	183D9220P001	TUBO POSTERIOR IZQ. (S/P)
185	183D9218P001	TUBO POSTERIOR DER. (S/P)
188	183D9216P001	TUBO FRONTAL CENTRAL (S/P)
189	183D9219P001	TUBO POSTERIOR CENTRAL (S/P)
190	183D9475P001	TUBO CONECTOR (S/P)
191	183D9474P001	TUBO VALVULA CORTE (S/P)
199	223C3330P001	CLIP ELECTRODO (S/P)
200	223C4399P002	BUJIA HORNO (S/P)
202	223C4032P002	BUJIA DE IGNICION (S/P)
204	317B6895P001	SUJETADOR BUJIA (S/P)
210	317B7017P001	SWITCH DE ENCENDIDO (S/P)
215	317B6955P001	SOPORTE VALVULA (S/P)
218	317B7030P002	VALVULA DE CORTE (S/P)
219	223C4126P003	VALVULA (S/P)
220	223C4103P005	VALVULA QUEMADOR (S/P)
221	223C4103P006	VALVULA (S/P)
225	223C4022P004	TERMOSTATO MOD. (S/P)
250	317B6743G001	PERILLA INSERTO SUPERIOR (S/P)
252	317B6743G002	PERILLA INSERTO TERMOSTATO (S/P)
268	317B7130P001	BRACKET PANEL DE CONTROL (S/P)
271	183D9507G002	CONTROL PANEL ENS. (S/P)
291	317B6301P001	TAPON P/VALVULA DE CORTE (S/P)
300	183D8618G001	QUEM. DE HORNO ENS. (S/P)
324	183D9034P002	ENSAMBLE VENTILADOR (S/P)
325	223C3684P005	TERMOPAR (S/P)
350	183D9482G001	TUBO ALIMENTADOR HORNO (S/P)
381	317B7016P007	ARNES SENSOR (S/P)
383	317B7016P008	ARNES SENSOR (S/P)
386	183D9680G001	ARNES H.V. (S/P)
387	183D9692G003	ARNES MAESTRO (S/P)
390	223C3652P001	MODULO DE IGNICION (S/P)
392	183D8402G005	ARNES CAJA DE QUEMADORES (S/P)
460	183D8026P010PY	LATERAL HORNO PIROLITI (S/P)
461	183D8026P011PY	LATERAL HORNO PIROLITI (S/P)

464	223C3793P001	LAMPARA DE HALOGENO (S/P)
480	183D8031P001PY	PISO DE HORNO PIROLITICO (S/P)
500	183D9246P001	LATERAL ESTUFA (S/P)
510	317B7154P001	SWITCH TERMICO (S/P)
593	223C4076P001	GANCHO ARRASTRADOR (S/P)
594	223C3771P001	CORREDERA LATERAL (S/P)
595	223C3674P003	GANCHO ARRASTRADOR (S/P)
600	183D8043P001	PARRILLA GRATINADOR (S/P)
601	183D8564G001	ENS. PARRILLA INF. DESLIZABLE (S/P)
602	183D8565G001	ENS. PARRILLA SUP. DESLIZABLE (S/P)
604	317B6997P003	LAMPARA DE HORNO (S/P)
605	183D8566P001	SOPORTE DER PARRILLA HORNO (S/P)
606	183D8566P002	SOPORTE IZQ PARRILLA HORNO (S/P)
615	205C1035P002	SOCKET (S/P)
620	183D8196P001	ENS.CORREDERA Y BALINES SUPERI (S/P)
622	223C4375P001	COMPLEMENTO CORREDERA SUP. (S/P)
623	205C1672P002	CLIP TUBO CAPILAR (S/P)
626	183D8431P001	ENS.CORREDERA Y BALINES INFERI (S/P)
631	317B6991P002	SOPORTE CORREDERA (S/P)
632	223C4347P004	VIDRIO PUERTA FRONTAL GRAT (S/P)
633	223C4348P001	VIDRIO CONTRAPUERTA GRAT. (S/P)
636	183D8578P002	MOLDURA INTERNA HORNO (S/P)
637	183D9709G001	CUERPO GRATINADOR ENSAMBLE (S/P)
638	183D8578P003	MOLDURA INTERNA PTA ELEC. GRAT (S/P)
639	183D9708G001	CHAROLA GRATINADOR ENSAMBLE (S/P)
640	183D9242P003PY	CTA. PUERTA GRATINADOR DER (S/P)
641	183D9242P004PY	CTA. PUERTA GRATINADOR IZQ (S/P)
642	223C4036G001	ENS. CORREDERA CAJON (S/P)
644	183D9170P001	CORREDERA INTERNA GRATINADOR (S/P)
645	183D9170P002	CORREDERA INTERNA GRATINADOR (S/P)
652	183D9254P001	FALDON INFERIOR (S/P)
655	183D8406P001	ELEMENTO GRATINADOR (S/P)
672	221C3913G002	SELLO ECONOMICO ENSAMB (S/P)
694	164D3434P001	PATA NIVELADORA
697	183D9240P002	MOLDURA HORIZONTAL (S/P)
698	183D9240P001	MOLDURA HORIZONTAL (S/P)
700	223C4487P004	SELLO PUERTA ENSAMBLE (S/P)
705	183D8178P003PY	MASCARA DOBLE CAVIDAD (S/P)

751	223C4341P001	MOLDURA VERTICAL (S/P)
752	223C4341P002	MOLDURA VERTICAL (S/P)
757	183D8576P004	MOLDURA PUERTA GRAT (S/P)
758	183D8576P001	MOLDURA HORNO Y GRAT (S/P)
770	223C3802P002	SOPORTE JALADERA (S/P)
780	183D7466P001	JALADERA PUERTA METALICA SATIN (S/P)
808	183D9697G002	CUBIERTA PUERTA GRATIN (S/P)
809	183D9697G001	CUBIERTA PUERTA GRATIN (S/P)
814	183D9605P001	BISAGRA PUERTA HORNO (S/P)
819	245B1466P001	SEGURO PERNO BISAGRA (S/P)
820	263B7040G002	CONTRA DE BISAGRA (S/P)
830	183D9631G002	PUERTA HORNO ENS (S/P)