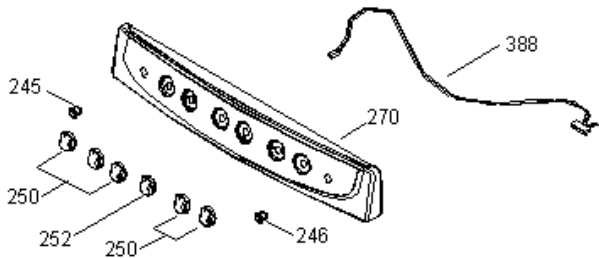
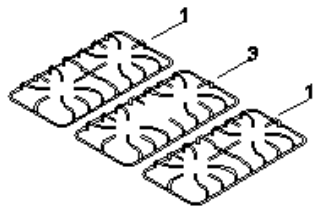
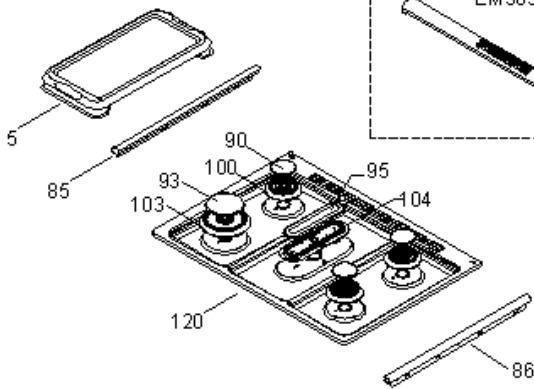
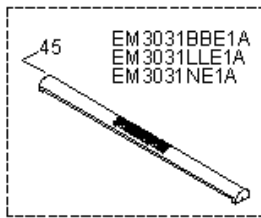
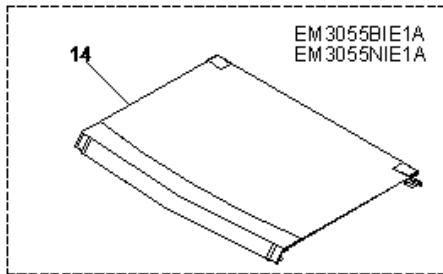
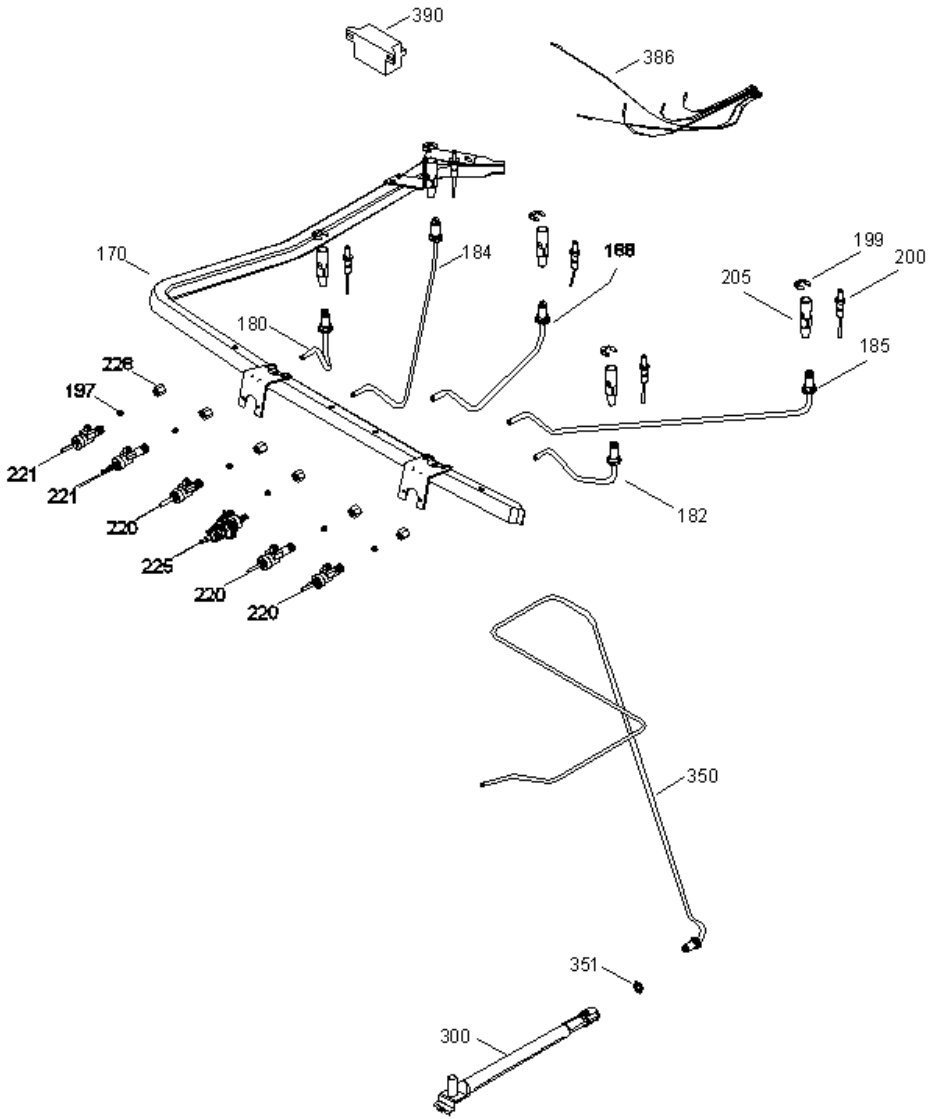


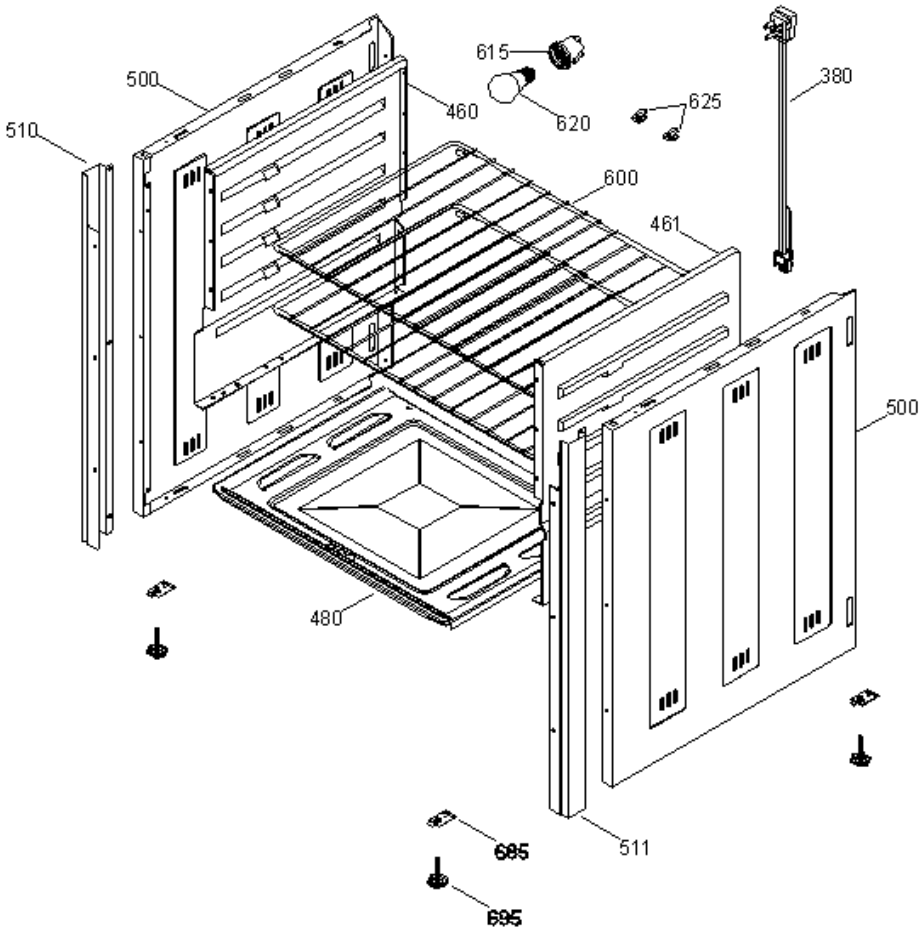
**EM3031BBE1A**



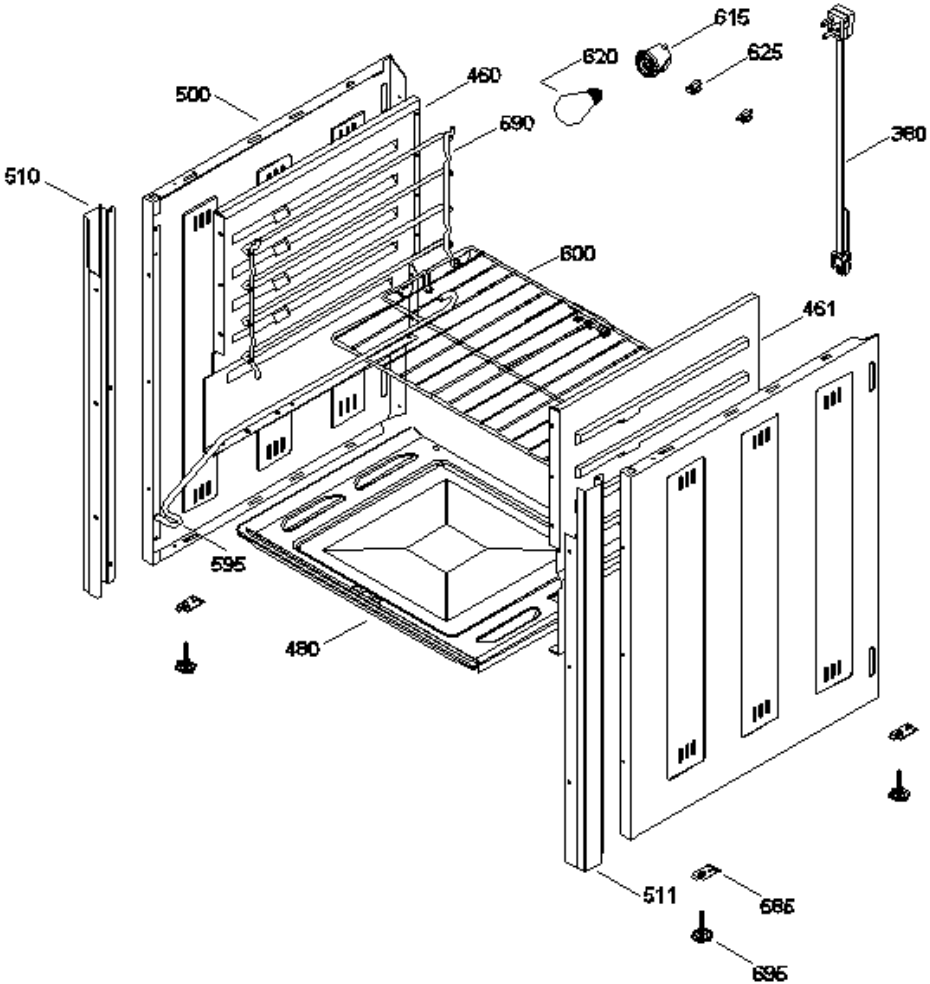
**EM3031BBE1A**



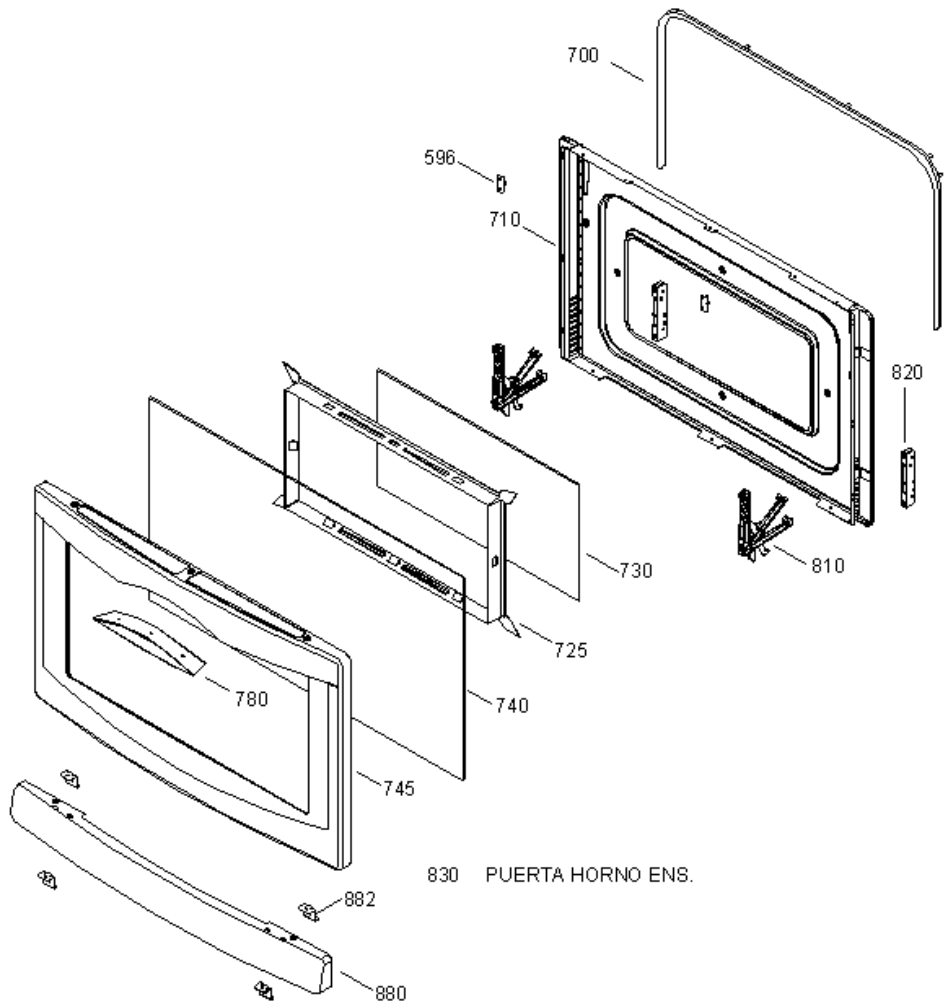
**EM3031BBE1A**



**EM3031BBE1A**



**EM3031BBE1A**



830 PUERTA HORNO ENS.



**EM3031BBE1A**

1	183D9108P001NE	PARRILLA SUPERIOR (NGA.) (S/P)
3	183D9109P001NE	PARRILLA SUP. CENTRAL (NGA.) (S/P)
5	183D8775G001NE	COMAL TROQ. (NGO.) (S/P)
45	183D7187P002BL	MOLDURA CHIMENEA (BCA.) (S/P)
85	183D7203P022	MOLDURA HORIZONTAL IZQ. (BCA.) (S/P)
86	183D7203P018	MOLDURA HORIZONTAL DER. (BCA.) (S/P)
90	MAL410	TAPA QUEMADOR SUP. 3" (NGA.)
93	MAL415	TAPA QUEMADOR SUP. 4" (NGA.)
95	MAL412	TAPA QUEMADOR CENTRAL (NGA.)
100	MAL407	QUEMADOR SUPERIOR 3"
103	MAL416	QUEMADOR SUPERIOR 4"
104	181D7509P004	QUEMADOR SUPERIOR CENTRAL (S/P)
120	183D7177P029BL	CUBIERTA SUPERIOR (BCA.) (S/P)
170	183D7206G004	TUBO DE VALVULAS (S/P)
180	183D8328G003	TUBO ALIM. QUEM. FRONTAL IZQ. (S/P)
182	183D7122G002	TUBO ALIM. QUEM. FRONTAL DER. <b>DESCONTINUADO</b>
184	183D7123G001	TUBO ALIM. QUEM.POST. IZQ. <b>DESCONTINUADO</b>
185	183D7123G002	TUBO ALIM. QUEM POSTERIOR DER. (S/P)
188	183D8330G001	TUBO ALIMENTACION CENTRAL (S/P)
197	245B1239P002	FERULA VALVULA QUEMADOR (S/P)
199	263B6380P002	CLIP BUJIA (S/P)
200	317B6260P001	BUJIA QUEMADOR SUPERIOR (S/P)
205	263B7226G001	REGULADOR AIRE ENS. (S/P)
220	MAL166	VALVULA QUEMADOR SUP. 3"
221	MAL166	VALVULA QUEMADOR SUP. 4"
225	MAL610	TERMOSTATO MODULANTE
228	245B1238P002	TUERCA DE COMPRESION (S/P)
245	317B6617P038	INTERRUPTOR ENC.BUJIA (BCO.) (S/P)
246	317B6617P037	INTERRUPTOR LUZ HNO. (BCO.) (S/P)
250	183D7170P042	PERILLA QUEM. SUP. (BCA.) (S/P)
252	183D7170P043	PERILLA TERMOSTATO (BCA.) (S/P)

270	183D7415G005S	FRENTE PERILLAS C/SERIG (BCO.) (S/P)
300	183D7359G001	QUEMADOR HORNO ENS. (S/P)
350	183D7112G002	TUBO ALIMENTADOR DE HORNO (S/P)
351	245B1310P002	TUERCA PARA CAJA QUEMADORES (S/P)
380	183D8076P001	CABLE TOMACORRIENTE (S/P)
386	183D5036G118	ARNES BUJIAS (S/P)
388	183D7111G001	ARNES MAESTRO (S/P)
390	221C3600P001	MODULO DE IGNICION
460	181D7514P004CA	LATERAL HORNO CATALITICO IZQ. (S/P)
461	181D7514P003CA	LATERAL HORNO CATALITICO DER. (S/P)
480	181D8617G002PY	PISO HORNO PIROLITICO (S/P)
500	181D7510P001	LATERAL ESTUFA CASSETTE (S/P)
510	183D7064P005BL	MOLDURA VERTICAL IZQ. (BCA.) (S/P)
511	183D7064P002BL	MOLDURA VERTICAL DER. (BCA.) (S/P)
600	181D7571P001	PARRILLA HORNO 30" (S/P)
615	205C1035P002	SOCKET (S/P)
620	245B1330P001	FOCO 40W, 127V. (S/P)
625	205C1672P001	CLIP TUBO CAPILAR (S/P)
685	205C1399P001	CONTRA PATA NIVELADORA <b>DESCONTINUADO</b>
695	223C3372P001	TORNILLO NIVELADOR (S/P)
700	223C3736G001	SELLO PUERTA DE HORNO ENS. (S/P)
710	183D7403G005PY	CONTRAPUERTA PIROLITICA ENS. (S/P)
725	183D7417G001	SEPARADOR INT. VENTANA ENS. (S/P)
730	221C3575P003	CRISTAL VENTANA (S/P)
740	183D7081P001	VIDRIO PUERTA HORNO (S/P)
745	183D7088P005BL	PANEL PUERTA HORNO (BCA.) (S/P)
780	183D7073P002	JALADERA POCKET HNO. (BCA.) (S/P)
810	183D7447G001	BISAGRA PUERTA HORNO ENS. (S/P)
820	263B7040G002	CONTRA DE BISAGRA (S/P)
830	183D7191G002	PUERTA HORNO ENS. (BCA.) (S/P)
880	183D7078P002BL	FALDON CURVO (BCO.) (S/P)
882	263B7209P001	SEGURO FALDON INFERIOR (S/P)