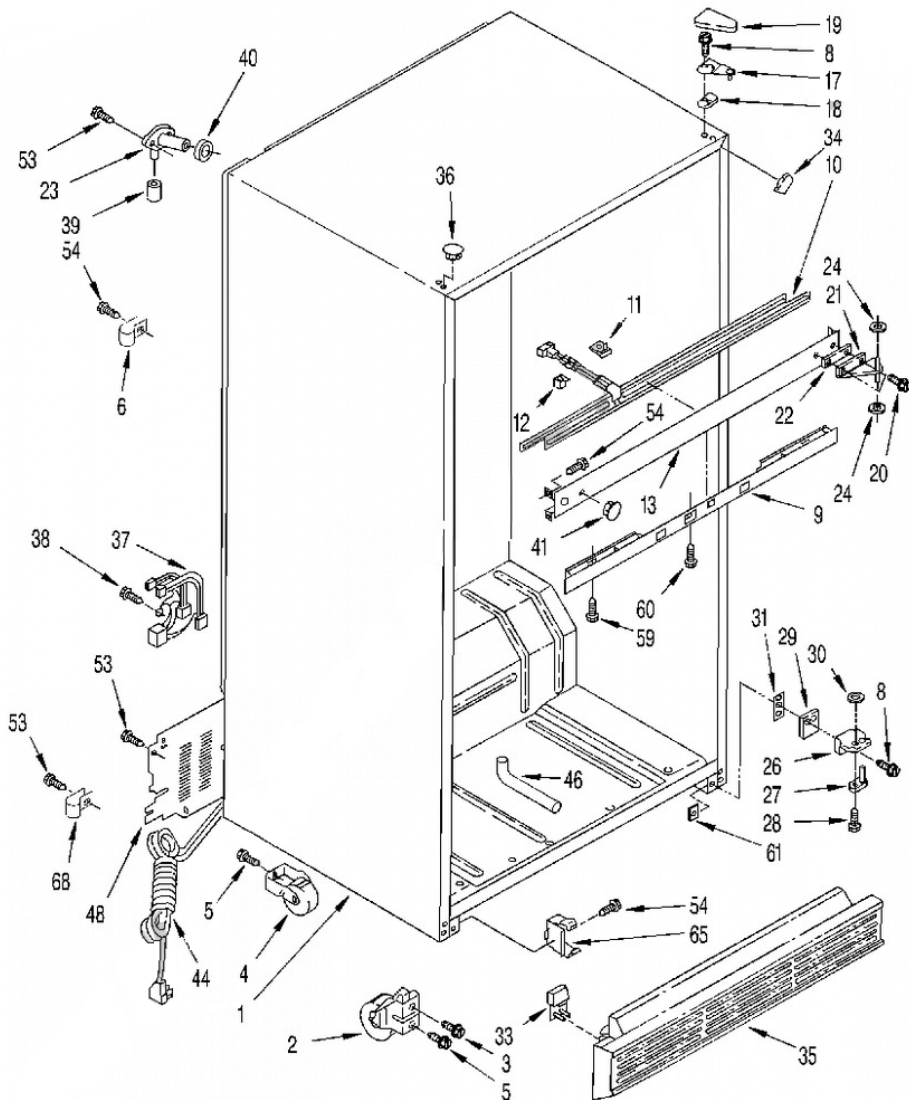


Distribuidor Autorizado

SurteRápido.com

Venta de Refacciones  
Electrodomesticas

# ET18DKXAB10 CABINET



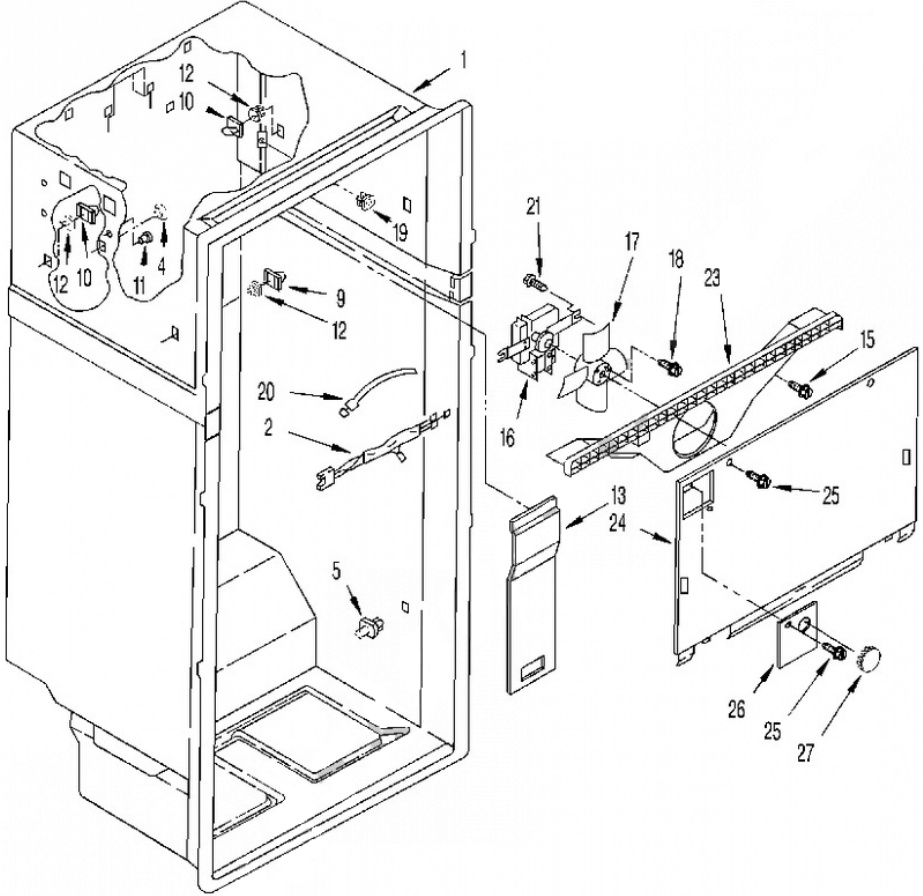


## ET18DKXAB10 CABINET

1	*****	CABINET <b>DESCONTINUADO</b>
2	4386774	ROLLER, FRONT (S/P)
3	489393	SCREW, 5/16-24 X 1-1/4 <b>DESCONTINUADO</b>
4	2196236	ROLLER, REAR (2) (S/P)
5	488454	SCREW, 1/4-28 X 1/2 <b>DESCONTINUADO</b>
6	488366	CLAMP, TUBE (S/P)
8	489367	SCREW (S/P)
9	1116571	CONTROL, FRONT COVER (S/P)
10	2154064	HEATER, MULLION (S/P)
11	2149060	CLIP, MULLION (3) <b>DESCONTINUADO</b>
12	2149077	SPACER (3) <b>DESCONTINUADO</b>
13	2172701	CENTER RAIL (WHITE) (S/P)
17	2189412	HINGE, TOP (S/P)
18	1123515	SHIM, HINGE TOP (S/P)
19	2213360	HINGE COVER (WHITE) (S/P)
19	2160404	HINGE COVER (ALMOND) (S/P)
19	2160406	HINGE COVER (BLACK) (S/P)
20	489105	SCREW (S/P)
21	944788	HINGE, CENTER (S/P)
22	836155	SHIM, HINGE CENTER <b>DESCONTINUADO</b>
23	2196157	FITTING, WATER TUBE
24	487802	WASHER, NYLON
26	836159	HINGE BUTT, BOTTOM(CHROME) (S/P)
27	654366	HINGE PIN, BOTTOM (S/P)
28	488714	SCREW, 10-32 X 5/16
29	4388138	SHIM, BOTTOM (S/P)
30	487802	WASHER, PLAIN BLACK MODEL
30	489201	BLACK (S/P)
30	489200	PLAIN (S/P)
31	1129868	SPACER (S/P)
33	1118078	CORNER FILLER, GRILLE <b>DESCONTINUADO</b>
34	2196094	FILLER, WRAPPER CORNER (2) (WHITE) (S/P)
34	2196095	FILLER, WRAPPER CORNER (2) <b>DESCONTINUADO</b>

34	2196097	FILLER, WRAPPER CORNER (2) (BLACK) (S/P)
35	1118079	GRILLE (BLACK) (S/P)
35	1125664	GRILLE (WHITE) <b>DESCONTINUADO</b>
35	1125669	GRILLE (ALMOND) <b>DESCONTINUADO</b>
36	2151653	HOLE PLUG (5) (ALMOND) (S/P)
36	2151652	HOLE PLUG (5) (WHITE) (S/P)
36	2183998	HOLE PLUG (5) (BLACK) (S/P)
37	2176859	WIRING ASSY. INTERMEDIATE (S/P)
38	489048	SCREW, 8-32 X 1/2 (S/P)
39	487996	CAP (S/P)
40	1106508	SEAL, GASKET (S/P)
41	842031	HOLE PLUG (WHITE) <b>DESCONTINUADO</b>
44	1113084	CORD, SERVICE (S/P)
46	2183033	FITTING, DRAIN (S/P)
48	2172766	COVER, UNIT (S/P)
53	489337	SCREW, 8 X 1/2 (7) (S/P)
54	489242	SCREW (S/P)
59	488725	SCREW, 8 X 13/16 (2) (S/P)
60	489174	SCREW (2) (S/P)
61	2147310	TAP-PLATE, BOTTOM HINGE <b>DESCONTINUADO</b>
65	2155013	CLIP, GRILLE (S/P)
68	3196256	CLAMP, CORD (S/P)

**ET18DKXAB10 LINER**





## ET18DKXAB10 LINER

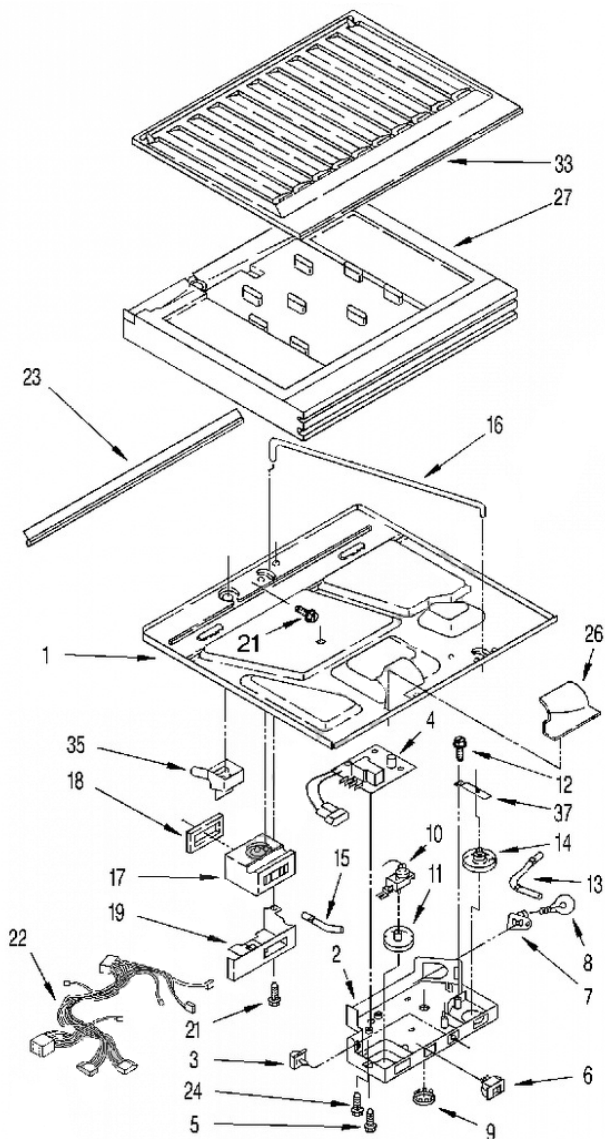
1	*****	LINER <b>DESCONTINUADO</b>
2	1127626	WIRING, FAN MOTOR (S/P)
4	941839	HOLE PLUG (3) (S/P)
5	1106612	STUD (2) (S/P)
9	946356	STUD, FRONT (2) (S/P)
10	946357	SADDLE STUD, R.S.
11	1110779	GROMMET (6)
12	946355	SUPPORT, STUD (8) (S/P)
13	2153966	COVER, AIR DUCT (S/P)
15	489242	SCREW (S/P)
16	2154977	MOTOR, FAN
17	1127752	BLADE, FAN
18	487887	SCREW, 3-48 X 1/4 (2) (S/P)
19	531933	GROMMET (2) (S/P)
20	1123230	CLIP, STRAP (S/P)
21	489168	SCREW (S/P)
23	1116598	SCROLL, FAN <b>DESCONTINUADO</b>
24	2151668	EVAPORATOR COVER (S/P)
25	489196	SCREW (5) (S/P)
26	1129070	HOLE COVER, EVAPORATOR (S/P)
27	1103725	HOLE PLUG (S/P)

Distribuidor Autorizado

SurteRápido.com

Venta de Refacciones  
Electrodomesticas

## ET18DKXAB10 COMPARTMENT SEPARATOR





## ET18DKXAB10 COMPARTMENT SEPARATOR

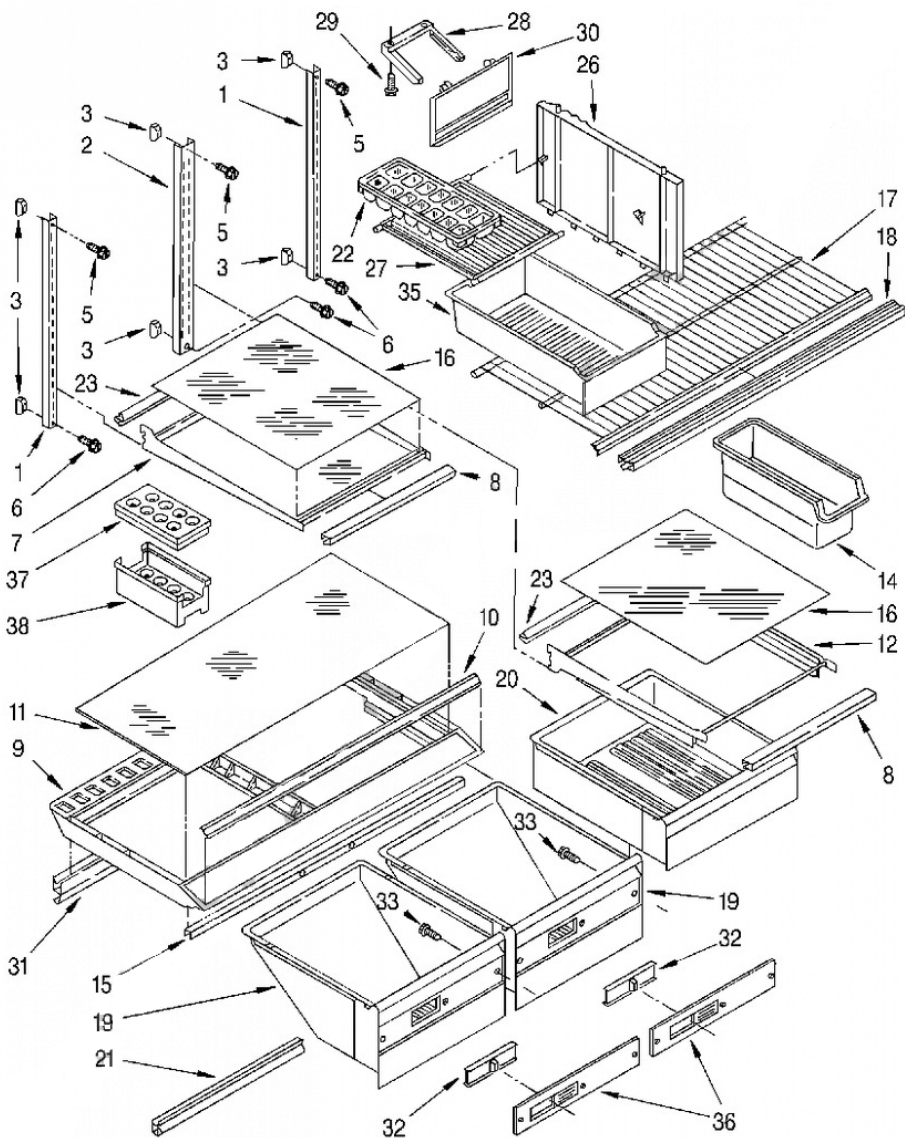
1	2172814	BOTTOM, COMPARTMENT <b>DESCONTINUADO</b>
2	1126029	BOX, CONTROL <b>DESCONTINUADO</b>
3	1116849	SWITCH, LIGHT <b>(S/P)</b>
4	4388931	DEFROST CONTROL ADAPTIVE
5	488693	SCREW <b>(S/P)</b>
6	938049	SWITCH, TOGGE
7	4387478	SOCKET (2)
8	946059	BULB, LIGHT (2) <b>(S/P)</b>
9	940014	HOLE PLUG <b>(S/P)</b>
10	1123394	THERMOSTAT ASSEMBLY
11	1106931	KNOB, THERMOSTAT <b>(S/P)</b>
12	487415	SCREW 8 X 3/8 <b>(S/P)</b>
13	1105475	LIGHT, BAR <b>(S/P)</b>
14	1115047	KNOB, AIR CONTROL <b>(S/P)</b>
15	1105476	LIGHT, BAR <b>(S/P)</b>
16	1116565	ROD, CONNECTING <b>(S/P)</b>
17	2157253	AIR DIFFUSER ASSEMBLY <b>(S/P)</b>
18	2157255	GASKET, AIR DIFFUSER <b>(S/P)</b>
19	1108176	COVER, AIR DIFFUSER <b>DESCONTINUADO</b>
21	489242	SCREW <b>(S/P)</b>
22	2159536	WIRING ASSEMBLY, CONTROL BOX <b>(S/P)</b>
23	2159734	GASKET, BOTTOM SEPARATOR <b>(S/P)</b>
24	489048	SCREW, 8-32 X 1/2 (2) <b>(S/P)</b>
26	1108196	INSULATION, FILLER <b>(S/P)</b>
27	1116569	INSULATION, <b>DESCONTINUADO</b>
33	2157398	SEPARATOR, <b>DESCONTINUADO</b>
35	937065	CUP, DRAIN <b>(S/P)</b>
37	1105457	BRACKET, CONTROL KNOB <b>(S/P)</b>

Distribuidor Autorizado

SurteRápido.com

Venta de Refacciones  
Electrodomesticas

# ET18DKXAB10 SHELF, LIT/OPTIONAL







## ET18DKXAB10 SHELF, LIT/OPTIONAL

1	1114466	SHELF, LADDER (2) <b>DESCONTINUADO</b>
2	1114465	SHELF, LADDER CENTER <b>DESCONTINUADO</b>
3	520965	SCREW, SUPPORT (4) (S/P)
5	489345	SCREW, 8-32 X 1-1/4 (3) (S/P)
6	488163	SCREW, 8 X 1-1/4 (3) (S/P)
7	1116693	SHELF, CANTILEVER (S/P)
8	1114436	TRIM, SHELF <b>DESCONTINUADO</b>
9	2157828	CRISPER COVER (S/P)
10	2172715	TRIM, CRISPER COVER <b>DESCONTINUADO</b>
11	2164379	GLASS, CRISPER COVER
12	1116703	PAN SHELF, CANTILEVER <b>DESCONTINUADO</b>
14	982704	CONTAINER (S/P)
15	2172748	CRISPER, SUPPORT (S/P)
16	2199189	SHELF, GLASS (S/P)
17	1116722	SHELF, FREEZER <b>DESCONTINUADO</b>
18	2148584	TRIM, SHELF FRONT (S/P)
19	1118110	PAN, CRISPER <b>DESCONTINUADO</b>
20	1115162	PAN, MEAT (S/P)
21	1116713	CRISPER, GASKET FRONT (2) (S/P)
22	841180	ICE TRAY (4) (S/P)
23	1115165	REFLECTOR, SHELF (S/P)
26	1127416	DIVIDER <b>DESCONTINUADO</b>
27	1106624	ICE COMPARTMENT, SHELF (2) <b>DESCONTINUADO</b>
28	2149136	SLIDE, ICE COMPARTMENT <b>DESCONTINUADO</b>
29	489242	SCREW (S/P)
30	1106818	DOOR, ICE COMPARTMENT <b>DESCONTINUADO</b>
31	1125706	CRISPER, GASKET REAR (2) (S/P)
32	2148524	SLIDE, CRISPER <b>DESCONTINUADO</b>
33	489162	SCREW (6) (S/P)
35	2166261	PAN, UTILITY (S/P)
36	2148573	CRISPER, PAN FRONT <b>DESCONTINUADO</b>
37	1107388	EGG CONTAINER-TOP <b>DESCONTINUADO</b>
38	1107384	EGG CONTAINER-BOT (S/P)

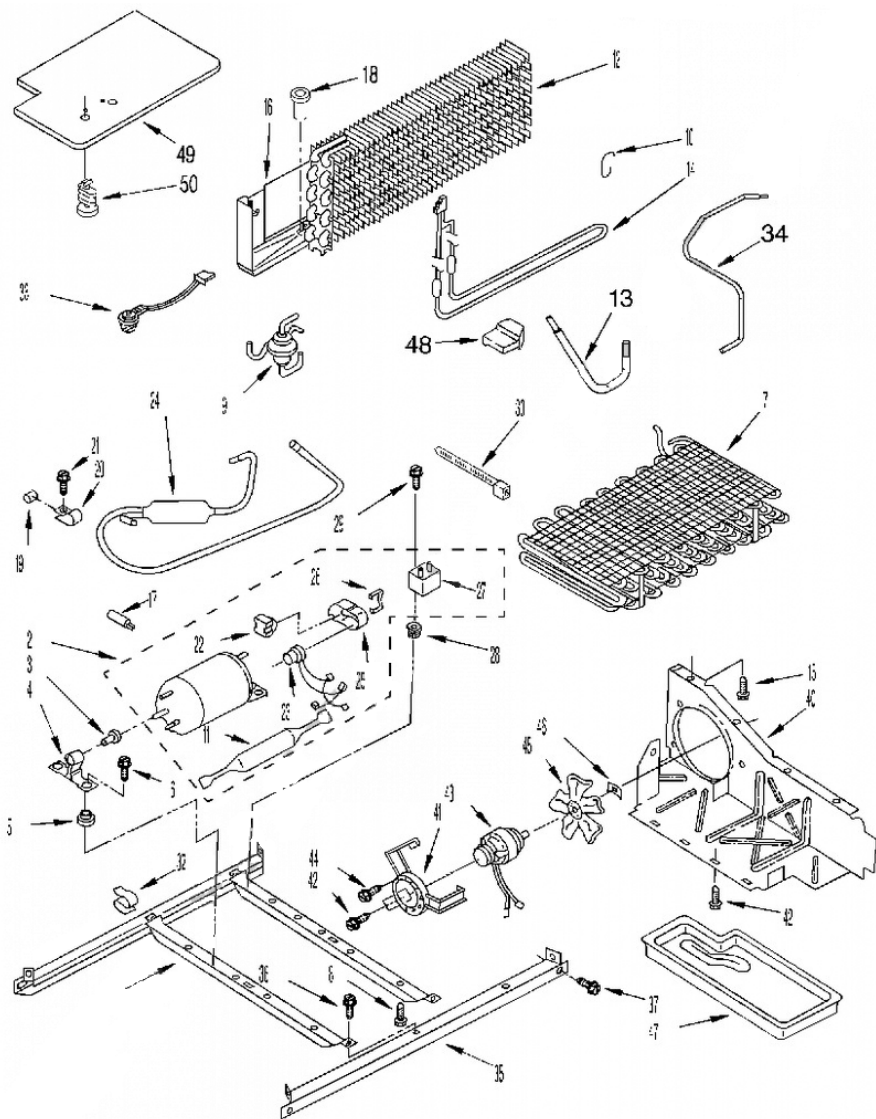
38	212643	SEALER, GUM (4 FEET) <b>(S/P)</b>
38	503695	CORK SEALER (1/4 POUND) <b>(S/P)</b>
38	511873	PAINT, TOUCH-UP 1/2 OZ. (WHITE PORCELAIN) <b>(S/P)</b>
38	4317852	CEMENT, ALUMILASTIC (1-1/4 OZ.) <b>(S/P)</b>
38	606755	BAG, INSULATION (36-5/8`` X 46) <b>(S/P)</b>
38	72032	BRUSH TOUCH-UP KIT (BLACK) <b>(S/P)</b>
38	72107	BRUSH TOUCH-UP KIT (ALMOND) <b>(S/P)</b>
38	799833	KIT, EVAPORATOR REPAIR <b>DESCONTINUADO</b>
38	505587	SEALER, MASTIC (1 QT.) <b>(S/P)</b>
38	542638	GREASE, SILICONE (1/2 OZ.) <b>(S/P)</b>
38	72017	BRUSH TOUCH-UP KIT (WHITE) <b>(S/P)</b>
38	876370	KIT, INSULATION (14 PCS. 3`` X 24`` X 48``) <b>(S/P)</b>
38	978883	ENAMEL, ALMOND (1 QT. UNCUT) <b>(S/P)</b>
38	350930	ENAMEL, WHITE (13 OZ. SPRAY CAN) <b>(S/P)</b>
38	830864	ENAMEL, BLACK (13 OZ. SPRAY CAN) <b>(S/P)</b>
38	350941	LEVELER, ENAMEL <b>DESCONTINUADO</b>
38	350956	ENAMEL, ALMOND (13 OZ. SPRAY CAN) <b>(S/P)</b>
38	350942	PRIMER, WHITE (13 OZ. SPRAY CAN) <b>(S/P)</b>
38	876370	KIT, INSULATION (2 PCS. 3`` X 24`` X 48``) <b>(S/P)</b>
38	876370	INSULATION, FIBERGLASS <b>(S/P)</b>
38	833938	KIT, TERMINAL CONNECTOR <b>(S/P)</b>
38	876029	KIT, FOAM SLAB (30`` X 32-1/2`` X 1-1/2``) <b>(S/P)</b>
38	799344	ENAMEL, WHITE (1 QT. UNCUT) <b>(S/P)</b>
38	479502	TAPE, VINYL (3/4`` X 108``) <b>(S/P)</b>

Distribuidor Autorizado

SurteRápido.com

Venta de Refacciones  
Electrodomesticas

# ET18DKXAB10 UNIT





## ET18DKXAB10 UNIT

1	2159747	UNIT, FRAME (S/P)
2	4318241	COMPRESSOR KIT <b>DESCONTINUADO</b>
3	1105219	GROMMET, BRACKET COMPRESSOR (S/P)
4	1105220	COMPRESSOR, MOUNTING BRACKET (S/P)
5	1105200	GROMMET, COMPRESSOR (4) (S/P)
6	489334	SCREW (4) (S/P)
7	1116624	CONDENSER ASSEMBLY (S/P)
8	489337	SCREW, 8 X 3/8 (4) (S/P)
9	2169345	VALVE, FLUID <b>DESCONTINUADO</b>
10	851358	SUPPORT-HEATER (S/P)
11	4387019	DRIER (S/P)
12	2174757	EVAPORATOR (S/P)
13	2159636	TUBE-HEAT LOOP TO VALVE (S/P)
14	2162020	HEATER, DEFROST
15	489478	SCREW (S/P)
16	2153973	DRAIN PAN & HEAT SHIELD <b>DESCONTINUADO</b>
17	1108065	CAPACITOR, START (S/P)
18	2172811	DRAIN FITTING (S/P)
19	2149670	DAMPENER (2) (S/P)
20	1108033	TUBE CLAMP (2) (S/P)
21	488687	SCREW, 8-32 X 1/2 (2) (S/P)
22	*****	RELAY (SEE OVERLOAD) <b>DESCONTINUADO</b>
23	2154945	OVERLOAD (SERVICE (INCLUDES RELAY)) (S/P)
23	819160	OVERLOAD (PRODUCTION (S/P)
24	2159657	MUFFLER (S/P)
25	2154452	TERMINAL COVER (S/P)
26	1105222	STRAP, COVER (S/P)
27	2169373	CAPACITOR, RUN
28	937252	SCREW, GROMMET (S/P)
29	488687	SCREW 8 X 5/8 (S/P)
30	3347868	STRAP (S/P)
32	548745	CLIP, WIRE (2) (S/P)
33	4387503	DEFROST, BIMETAL (S/P)

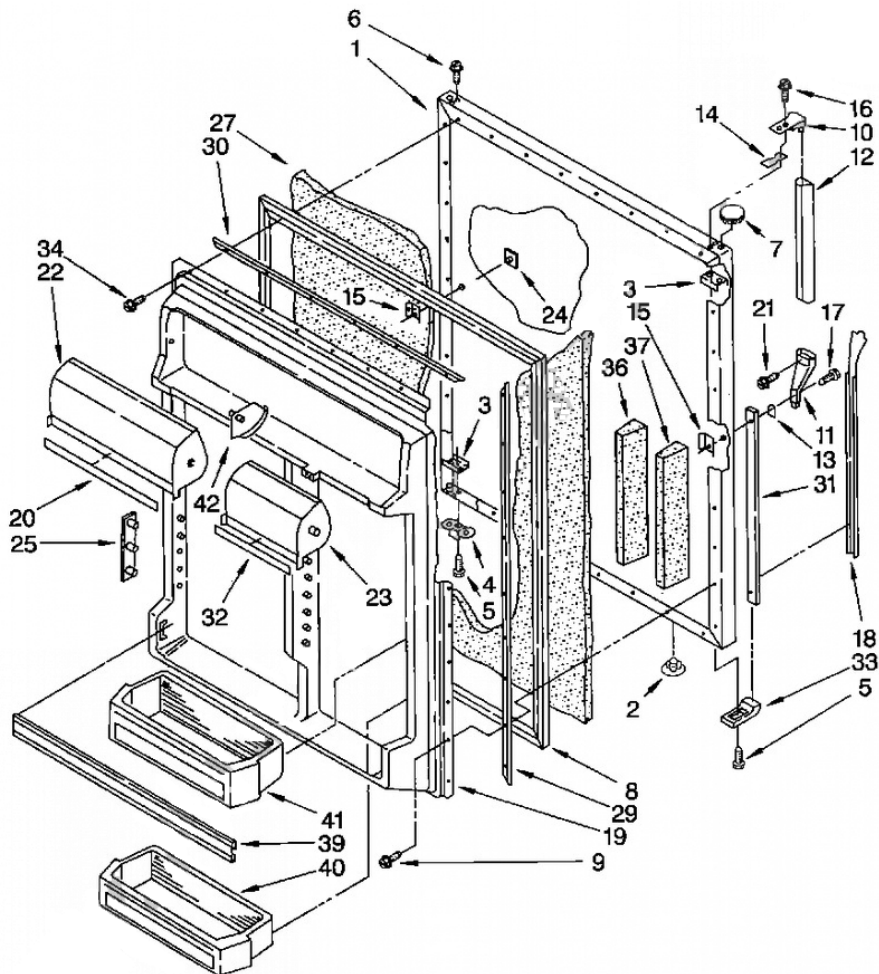
34	2159635	TUBE-CONDENSER TO VALVE (S/P)
35	1116622	UNIT, RAIL (S/P)
36	489339	SCREW, 1/4-28 X 1/2 (2) (S/P)
37	489340	SCREW (4) (S/P)
40	2169432	AIR, BAFFLE (S/P)
41	2162060	FAN, MOUNTING BRACKET (S/P)
42	489337	SCREW, 8 X 3/8 (S/P)
43	833697	MOTOR, FAN
44	489019	SCREW 8-32 X 3/8 (3) (S/P)
45	2169191	FAN BLADE <b>DESCONTINUADO</b>
46	486692	SPEED, NUT (S/P)
47	842041	TRAY, EVAPORATOR (S/P)
48	1118017	WEDGE, AIR BAFFLE (S/P)
49	2160517	COVER, UNIT BOTTOM (S/P)
50	876764	VALVE, ACCESS (3/16``) (S/P)
50	978029	VALVE, ACCESS (5/8``) (S/P)
50	978026	VALVE, ACCESS (5/16``) (S/P)
50	978027	VALVE, ACCESS (3/8``) (S/P)
50	978025	VALVE, ACCESS (1/4``) (S/P)
50	489396	CLIP (S/P)
50	978030	VALVE, ACCESS (3/4``) (S/P)
50	978028	VALVE, ACCESS (1/2``) (S/P)

Distribuidor Autorizado

SurteRápido.com

Venta de Refacciones  
Electrodomesticas

# ET18DKXAB10 REFRIGERATOR DOOR





## ET18DKXAB10 REFRIGERATOR DOOR

1	1116578	PANEL, REFRIGERATOR DOOR (S/P)
1	4389188	PANEL, REFRIGERATOR DOOR (S/P)
1	2162878	PANEL, REFRIGERATOR DOOR (S/P)
2	534927	HOLE PLUG (2) (WHITE) <b>DESCONTINUADO</b>
2	1110485	HOLE PLUG (2) (BLACK) (S/P)
3	2183198	PLATE, TAP (4) (S/P)
4	2183805	BRACKET, DOOR STOP (S/P)
5	488921	SCREW, 8 X 1/2 (S/P)
6	489028	SCREW, 8-15 X 1/2 (S/P)
7	989196	HOLE PLUG (ALMOND) (S/P)
7	2212651	HOLE PLUG (BLACK) (S/P)
7	2212648	HOLE PLUG (WHITE) (S/P)
8	2188447A	DOOR GASKET, MAGNETIC (ALMOND MODEL) (S/P)
9	489084	SCREW (REPAIR) (S/P)
9	489101	SCREW, 7 X 1/2 (S/P)
10	944157	HANDLE END (S/P)
11	1109189	HANDLE END, SIDE <b>DESCONTINUADO</b>
12	1119757	HANDLE, CENTER (BLACK) (S/P)
12	943276	HANDLE, CENTER (ALMOND) <b>DESCONTINUADO</b>
12	2150150	HANDLE, CENTER (WHITE) (S/P)
13	935075	SHIM, HANDLE END (SIDE) <b>DESCONTINUADO</b>
14	943188	SPACER, HANDLE DOOR (S/P)
15	939101	SCREW ANCHOR (2) (S/P)
16	489006	SCREW, 8 X 5/8 (S/P)
17	487909	SCREW, 8 X 1/2 (S/P)
18	1116274	INSERT, HANDLE (BLACK MODEL) (S/P)
18	2150155	INSERT, HANDLE (WHITE MODEL) <b>DESCONTINUADO</b>
18	2150156	INSERT, HANDLE (ALMOND) (S/P)
19	2157384	INTERIOR DOOR PANEL (S/P)
20	1106959	TRIM, DOOR COMPARTMENT
21	489022	SCREW, 6-20 X 3/8 (2) (S/P)
22	1118136	COMPARTMENT DOOR <b>DESCONTINUADO</b>
23	1118129	COMPARTMENT DOOR (S/P)

24	2189000	HOLE PLUG, HANDLE (WHITE) (S/P)
24	2189008	HOLE PLUG, HANDLE (ALMOND) (S/P)
24	2189009	HOLE PLUG, HANDLE (BLACK) (S/P)
25	2196165	PIN PLATE (8) (S/P)
27	876029	FOAM INSULATION (S/P)
29	1115136	RETAINER, GASKET SIDE (2) (S/P)
30	1115137	RETAINER, GASKET TOP & BOTTOM (S/P)
31	1118080	RETAINER, INSERT <b>DESCONTINUADO</b>
32	2148588	TRIM, COMPARTMENT DOOR (S/P)
33	1124684	END CAP, INSERT RETAINER (S/P)
34	489287	CORNER SCREW (8) (S/P)
36	2157385	DOOR DIKE, MIDDLE (S/P)
37	1118007	DOOR DIKE, SIDE (2) (S/P)
39	2152878	TRIM, DOOR SHELF (S/P)
40	2148592	SHELF BIN (2) <b>DESCONTINUADO</b>
41	2148593	SHELF BIN (2) DEEP <b>DESCONTINUADO</b>
42	1118001	HINGE PIN, CENTER (S/P)
42	4314268	SEE COMPLETE CROSS-REFERENCE (S/P)

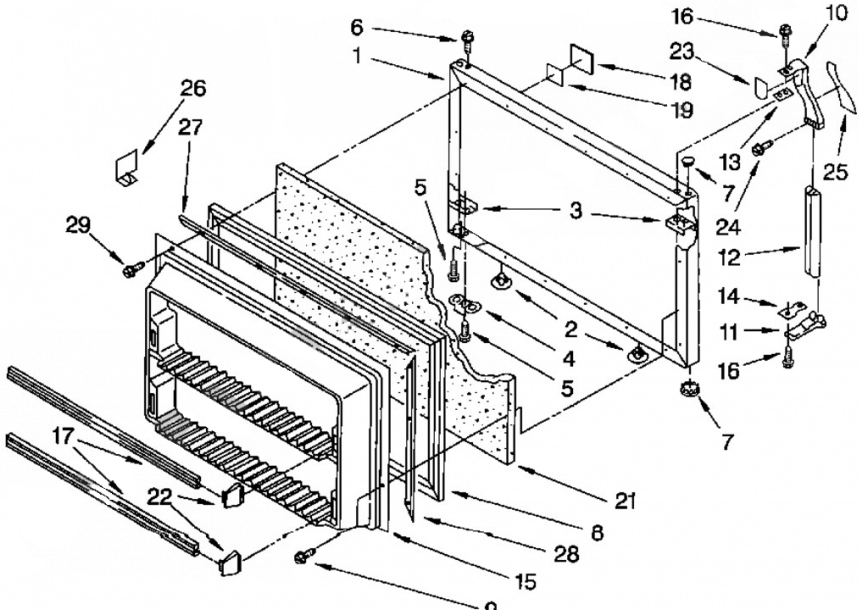


Distribuidor Autorizado

**SurteRápido.com**

Venta de Refacciones  
Electrodomesticas

## ET18DKXAB10 FREEZER DOOR





## ET18DKXAB10 FREEZER DOOR

1	2157711	PANEL, FREEZER DOOR (ALMOND) (S/P)
1	2162881	PANEL, FREEZER DOOR (BLACK) (S/P)
1	2157708	PANEL, FREEZER DOOR (WHITE) (S/P)
2	1110485	HOLE PLUG (2) (BLACK) (S/P)
2	534927	HOLE PLUG (2) (WHITE) <b>DESCONTINUADO</b>
3	2183198	PLATE, TAP (4) (S/P)
4	2183805	BRACKET, DOOR STOP (S/P)
5	488921	SCREW, 8 X 1/2 (S/P)
6	489028	SCREW, 8-15 X 1/2 (S/P)
7	989196	HOLE PLUG (ALMOND) (S/P)
7	2212648	HOLE PLUG (WHITE) (S/P)
7	2212651	HOLE PLUG (BLACK) (S/P)
8	2188461A	DOOR GASKET MAGNETIC (WHITE MODEL) (S/P)
9	489101	SCREW, 7 X 1/2 (S/P)
9	489084	SCREW (REPAIR) (S/P)
10	944163	HANDLE END, TOP (S/P)
11	944157	HANDLE END (S/P)
12	943276	HANDLE, CENTER <b>DESCONTINUADO</b>
12	1119757	HANDLE, CENTER (BLACK MODEL) (S/P)
12	2148669	HANDLE, CENTER (WHITE MODEL) (S/P)
13	943187	SHIM, HANDLE (S/P)
14	943188	SPACER, HANDLE DOOR (S/P)
15	1116610	INTERIOR DOOR PANEL (S/P)
16	489006	SCREW, 8 X 5/8 (S/P)
17	2157313	TRIM, DOOR SHELF (2) (S/P)
18	2180544	NAMEPLATE (WHITE MODEL) (S/P)
18	2152334	NAMEPLATE (ALMOND MODEL) (S/P)
19	978601	STRIP, TAPE <b>DESCONTINUADO</b>
21	876029	KIT, FOAM SLAB (S/P)
22	4386917	ENDCAP, TRIM (4)
23	935074	SHIM, ENDCAP (TOP) <b>DESCONTINUADO</b>
24	489022	SCREW, 6-20 X 3/8 (S/P)
25	1108828	INSERT, HANDLE (WHITE MODEL) <b>DESCONTINUADO</b>

25	1114390	INSERT, HANDLE (BLACK MODEL) <b>DESCONTINUADO</b>
26	1123293	DIVIDER, DOOR SHELF (2) <b>(S/P)</b>
27	1115137	RETAINER, GASKET TOP & BOTTOM <b>(S/P)</b>
28	1115138	RETAINER, GASKET SIDE (2) <b>(S/P)</b>
29	489287	CORNER SCREW (8) <b>(S/P)</b>