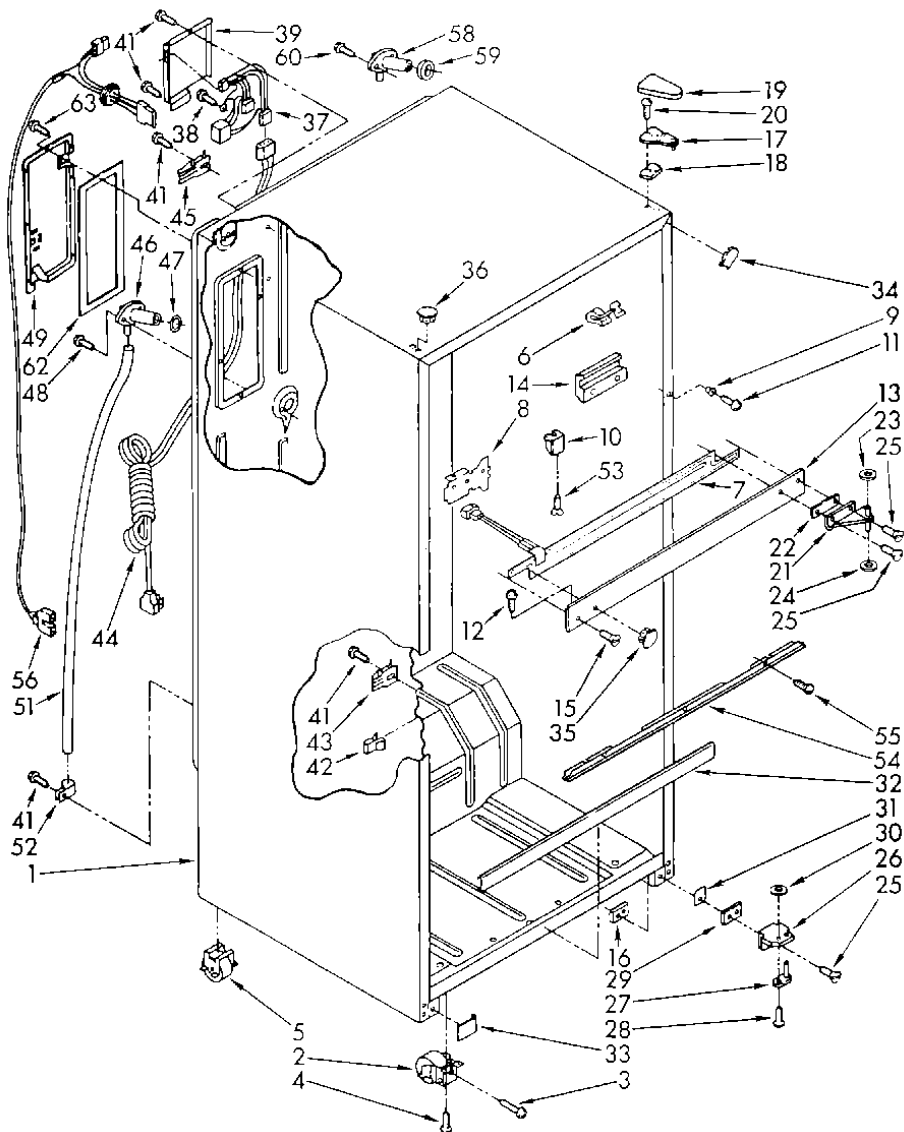


Distribuidor Autorizado

SurteRápido.com

Venta de Refacciones
Electrodomesticas

ET18MXSW01 CABINET





ET18XMXSW01 CABINET

1	*****	CABINET DESCONTINUADO
2	2152013	ROLLER, FRONT DESCONTINUADO
3	488681	SCREW, 5/16-24 X 1 (S/P)
4	311996	SCREW, 10-32 X 1/2 DESCONTINUADO
5	2152014	ROLLER, REAR (S/P)
6	1114428	BREAKER, TRIM CLIP (3) (S/P)
7	483140	HEATER, MULLION (S/P)
8	1110231	CENTER RAIL, BRACKET (2) (S/P)
9	942737	FERRULE, CENTER RAIL (S/P)
10	2149077	SPACER DESCONTINUADO
11	488428	SCREW (S/P)
12	487900	SCREW, 8 X 1/2 (2) (S/P)
13	1110346	CENTER RAIL (TOAST) (S/P)
13	1110347	CENTER RAIL (PLATINUM) (S/P)
13	1110345	CENTER RAIL (ALMOND) DESCONTINUADO
13	1110343	CENTER RAIL (WHITE) (S/P)
13	1110344	CENTER RAIL (GOLDEN HARVEST) (S/P)
14	939034	CENTER, RAIL SHIM (2) (S/P)
15	489184	SCREW (S/P)
16	2147312	TAP PLATE (2) DESCONTINUADO
17	1100513	HINGE, TOP (S/P)
18	1100509	SHIM, HINGE TOP DESCONTINUADO
19	1100172	HINGE COVER (TOAST) (S/P)
19	1119787	HINGE COVER (PLATINUM) (S/P)
19	989896	HINGE COVER (GOLDEN HARVEST) (S/P)
19	989194	HINGE COVER (ALMOND) (S/P)
20	489077	SCREW (S/P)
20	488949	SCREW, 12-14 X 3/4 (S/P)
21	944788	HINGE, CENTER (S/P)
22	836195	SHIM, CENTER (REPAIR) (S/P)
22	836155	SHIM, HINGE CENTER DESCONTINUADO
23	487802	WASHER, 7/64
24	488296	WASHER, 11/64 (S/P)

25	489179	SCREW DESCONTINUADO
25	488949	SCREW, (REPAIR) 12-14 X ¾ (S/P)
26	4318004	HINGE BUTT, BOTTOM (S/P)
27	654366	HINGE PIN, BOTTOM (S/P)
28	488714	SCREW, 10-32 X 5/16
29	942812	SHIM, BOTTOM DESCONTINUADO
30	487802	WASHER, 7/64
31	942818	COVER, GLIDER RAIL (WHITE) DESCONTINUADO
31	1100686	COVER, GLIDER RAIL (TOAST) (S/P)
31	1100685	COVER, GLIDER RAIL (PLATINUM) (S/P)
31	942820	COVER, GLIDER RAIL (GOLDEN HARVEST) (S/P)
31	942822	COVER, GLIDER RAIL (ALMOND) (S/P)
32	1109374	COVER, DECK RAIL (PLATINUM) (S/P)
32	1109366	COVER, DECK RAIL (GOLDEN HARVEST) (S/P)
32	1109364	COVER, DECK RAIL (WHITE) (S/P)
32	1109373	COVER, DECK RAIL (TOAST) (S/P)
32	1109368	COVER, DECK RAIL (ALMOND) (S/P)
33	944831	COVER, GLIDER RAIL (ALMOND) DESCONTINUADO
33	943552	COVER, GLIDER RAIL (WHITE) (S/P)
33	1100682	COVER, GLIDER RAIL (TOAST) (S/P)
33	1100681	COVER, GLIDER RAIL (PLATINUM) (S/P)
33	944833	COVER, GLIDER RAIL (GOLDEN HARVEST) (S/P)
34	1110685	FILLER, WRAP CORNER (ALMOND) (S/P)
34	1110686	FILLER, WRAP CORNER (GOLDEN HARVEST) (S/P)
34	1110687	FILLER, WRAP CORNER (TOAST) (S/P)
34	1110688	FILLER, WRAP CORNER (PLATINUM) (S/P)
34	1110684	FILLER, WRAP CORNER (WHITE) (S/P)
35	1119707	HOLE PLUG (WHITE) (S/P)
35	1119709	HOLE PLUG (ALMOND) (S/P)
35	1100688	HOLE PLUG (TOAST) (S/P)
35	1100687	HOLE PLUG (PLATINUM) (S/P)
35	1119708	HOLE PLUG (GOLDEN HARVEST) (S/P)
36	989195	HOLE PLUG (2) (ALMOND) (S/P)
36	989876	HOLE PLUG (2) (GOLDEN HARVEST) (S/P)
36	1100176	HOLE PLUG (2) (TOAST) (S/P)
36	1100177	HOLE PLUG (2) (PLATINUM) (S/P)
36	842031	HOLE PLUG (2) (WHITE) DESCONTINUADO
37	1106840	CABINET, WIRING ASSEMBLY DESCONTINUADO

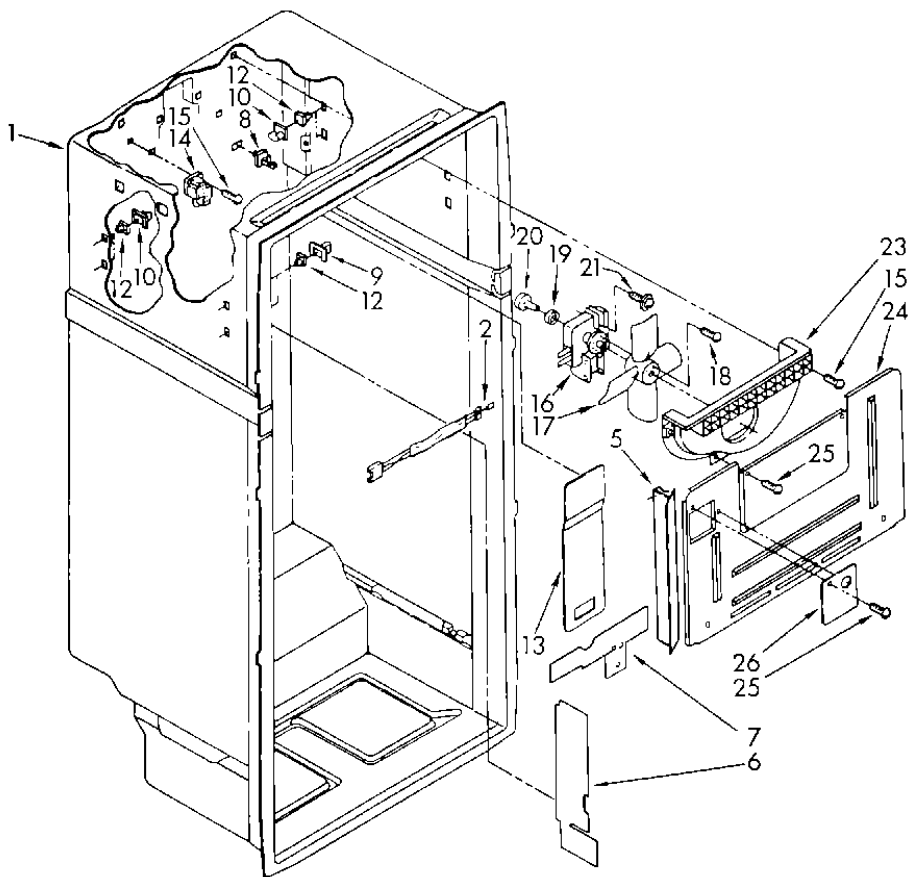
38	489048	SCREW, 8-32 X 1/2 (S/P)
39	942845	COVER, WIRING (S/P)
41	486194	SCREW, 8 X 1/2 (S/P)
42	939054	CLIP, WIRE (4) (S/P)
43	3196256	CLAMP, SERVICE CORD (S/P)
44	1113084	CORD, SERVICE (S/P)
45	937357	CLAMP (S/P)
46	942813	FITTING, DRAIN (S/P)
47	1106507	GASKET, SEAL DESCONTINUADO
48	488401	SCREW, 8 X 5/8 (S/P)
49	1106511	PLUG ASSEMBLY (S/P)
51	8316810	TUBE, DRAIN (S/P)
52	519405	CLAMP (S/P)
53	487888	SCREW, (2) 8 X 7/8 (S/P)
54	1110356	FILLER, CENTER RAIL (S/P)
55	489167	SCREW (S/P)
56	1118439	WIRING, ICE MAKER (S/P)
58	2196157	FITTING, WATER TUBE
59	1106508	SEAL, GASKET (S/P)
60	489084	SCREW, 8 X 1/2 (2) (S/P)
62	1106510	SEAL, GASKET DESCONTINUADO
63	693994	SCREW (S/P)

Distribuidor Autorizado

SurteRápido.com

Venta de Refacciones
Electrodomesticas

ET18MXSW01 LINER

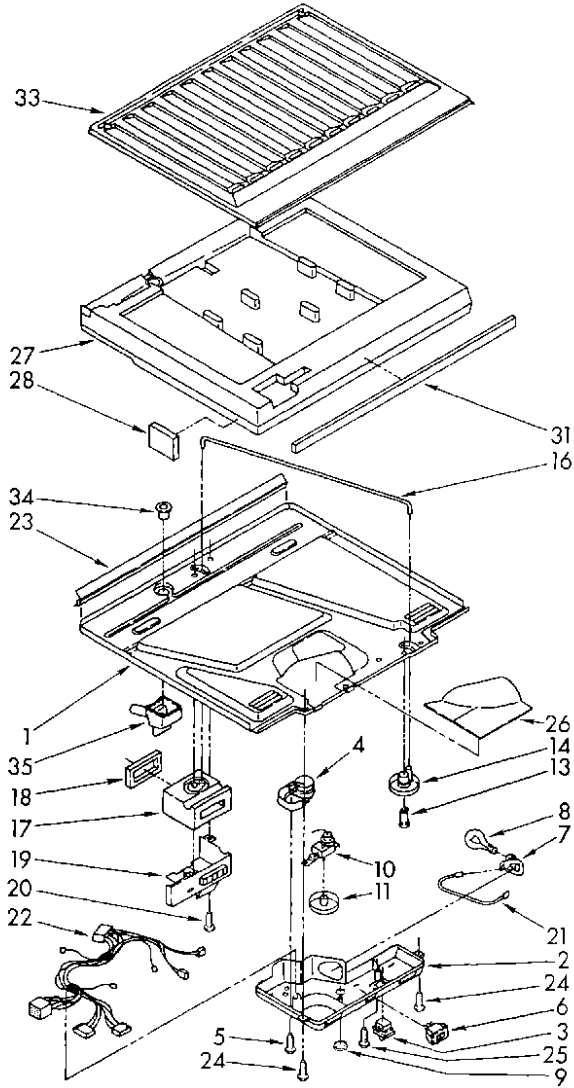




ET18MXSW01 LINER

1	*****	LINER DESCONTINUADO
2	943796	WIRING, FAN MOTOR (S/P)
5	1105673	GASKET, COVER EVAPORATOR DESCONTINUADO
6	942751	SIDE, ELECTRIC SHIELD (S/P)
7	1129068	TOP, ELECTRIC SHIELD (S/P)
8	942750	STUD, EVAPORATOR (2) (S/P)
9	4388540	STUD (2) (S/P)
10	819091	SADDLE STUD, R.S.
12	4388540	SUPPORT, STUD (8) (S/P)
13	1111420	COVER, AIR DUCT DESCONTINUADO
14	942842	TERMINAL BLOCK, MULTIPLE DESCONTINUADO
15	486194	SCREW, 8 X 1/2 (2) (S/P)
16	482731	FAN, MOTOR
17	1100938	FAN, BLADE
18	487887	SCREW, 3-48 X 1/4 (2) (S/P)
19	531933	GROMMET (2) (S/P)
20	935701	SPACER, FAN MOTOR (2) DESCONTINUADO
21	489042	SCREW, 8 X 1-1/4 (S/P)
23	2178956	SCROLL, FAN (S/P)
24	943741	EVAPORATOR COVER DESCONTINUADO
25	488992	SCREW, 8-15 X 1/2 (5) (S/P)
26	2190688	HOLE COVER, EVAPORATOR (S/P)

**ET18XMXSW01 COMPARTMENT
 SEPARATOR**

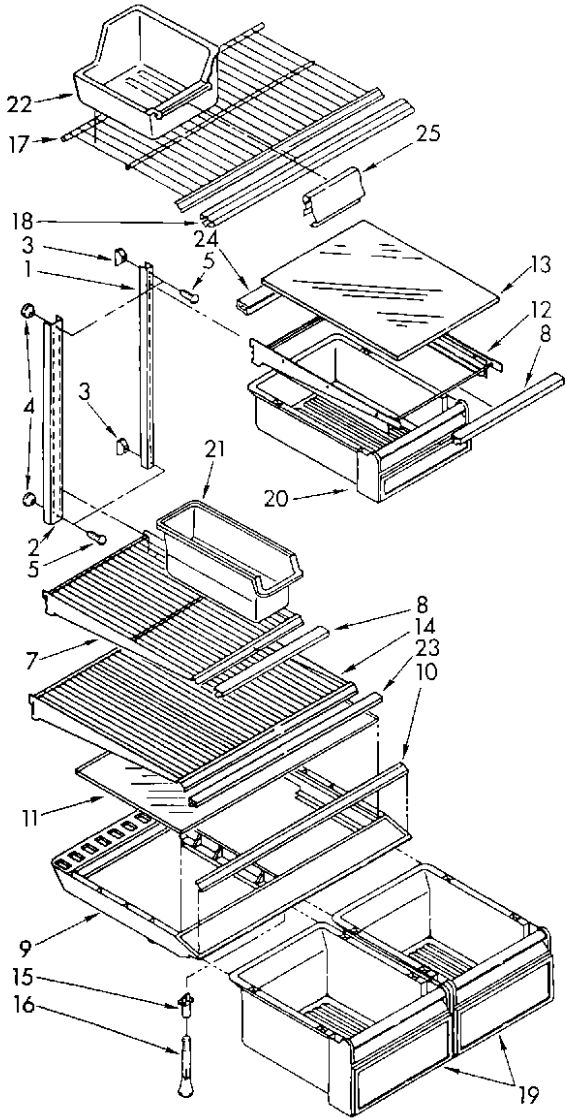




ET18XMXSW01 COMPARTMENT SEPARATOR

1	1111796	BOTTOM, COMPARTMENT SEPARATOR (S/P)
2	935724	BOX, CONTROL
3	1118894	SWITCH, ROCKER ARM (S/P)
4	482493	TIMER, DEFROST (8 HOUR)
5	488693	SCREW, 6-20 X 1/2 (S/P)
6	938049	TOGGLE, SWITCH
7	4387478	SOCKET ASSEMBLY
8	946059	BULB, LIGHT (S/P)
9	940014	HOLE PLUG (S/P)
10	1123394	THERMOSTAT BARRIER ASSEMBLY
11	2148148	KNOB, THERMOSTAT DESCONTINUADO
13	1111792	RETAINER, KNOB (S/P)
14	1111737	KNOB, AIR CONTROL (S/P)
16	943713	ROD, CONNECTING (S/P)
17	1108173	AIR DIFFUSER ASSEMBLY (S/P)
18	2157255	GASKET, AIR DIFFUSER (S/P)
19	1108176	COVER, AIR DIFFUSER DESCONTINUADO
20	488764	SCREW, 8 X 1/2 (S/P)
21	937078	WIRING ASSEMBLY DESCONTINUADO
22	1118777	WIRING, ASSEMBLY CONTROL BOX (S/P)
23	1116698	GASKET, BOTTOM SEPARATOR (S/P)
24	489048	SCREW, 8-32 X 1/2 (2) (S/P)
25	488678	SCREW, 8 X 1-3/8 (S/P)
26	1108196	INSULATION, FILLER (S/P)
27	1123391	INSULATION DESCONTINUADO
28	946367	PAD (2) (S/P)
31	1111503	INSULATION, CENTER RAIL (S/P)
33	1110355	SEPARATOR, COMPARTMENT (TOP) (S/P)
34	942849	DRAIN INSERT, SEPARATOR DESCONTINUADO
35	939191	CUP, DRAIN (S/P)

ET18XMXSW01 SHELF





ET18XMXSW01 SHELF

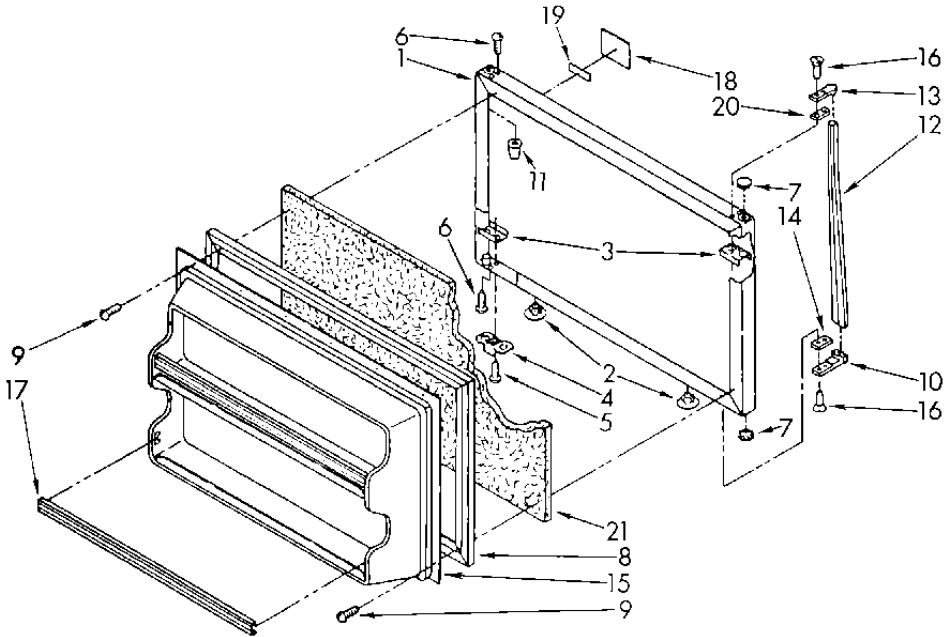
1	1103177	SHELF, LADDER (2) (S/P)
2	1114465	SHELF, LADDER CENTER DESCONTINUADO
3	520965	SCREW, SUPPORT (4) (S/P)
4	938459	SCREW, SUPPORT CENTER (2) DESCONTINUADO
5	489148	SCREW, 8-32 X 1-1/4 (6) (S/P)
7	1111782	SHELF, CANTILEVER (S/P)
8	1114436	TRIM, SHELF DESCONTINUADO
9	2151745	CRISPER COVER DESCONTINUADO
10	946436	TRIM, CRISPER COVER DESCONTINUADO
11	1111829	GLASS, CRISPER COVER (S/P)
12	1111774	PAN SHELF, CANTILEVER (S/P)
13	1111831	GLASS, CANTILEVER SHELF (S/P)
14	1111783	SHELF, WIRE FULL CANTILEVER (S/P)
15	1103731	CRISPER, SUPPORT COVER DESCONTINUADO
16	836410	POST, CRISPER COVER (S/P)
17	943725	SHELF, FREEZER DESCONTINUADO
18	1111814	TRIM, SHELF FRONT (S/P)
19	943737	PAN, CRISPER DESCONTINUADO
20	1111866	PAN, MEAT (S/P)
21	982704	CONTAINER (S/P)
22	982088	ICE PAN DESCONTINUADO
23	1114436	TRIM, SHELF DESCONTINUADO
24	1125525	RETAINER, GLASS SHELF (S/P)
25	539567	TRIM, ICE PAN (S/P)

Distribuidor Autorizado

SurteRápido.com

Venta de Refacciones
Electrodomesticas

ET18MXSW01 FREEZER DOOR





ET18XMXSW01 FREEZER DOOR

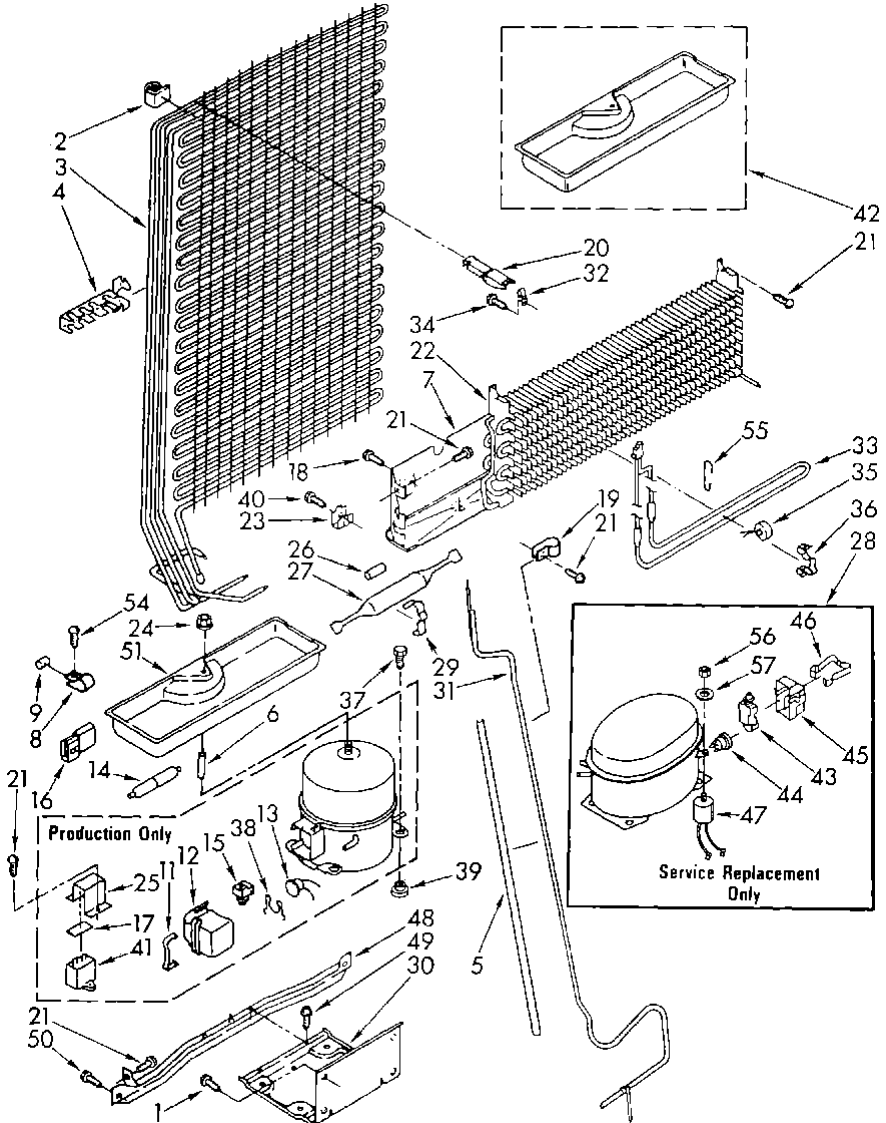
1	1104640	PANEL, FZ DOOR (WHITE) DESCONTINUADO
1	1104642	PANEL, FZ DOOR (GOLDEN HARVEST) (S/P)
1	1104646	PANEL, FZ DOOR (PLATINUM) (S/P)
1	1104645	PANEL, FZ DOOR (TOAST) (S/P)
1	1104644	PANEL, FZ DOOR (ALMOND) (S/P)
2	534927	HOLE PLUG (GOLDEN HARVEST) DESCONTINUADO
2	1100196	HOLE PLUG (2) (TOAST) (S/P)
2	1100197	HOLE PLUG (2) (PLATINUM) (S/P)
2	534927	HOLE PLUG (2) (WHITE) DESCONTINUADO
3	2183198	PLATE, TAP (4) (S/P)
4	2183805	BRACKET, DOOR STOP (S/P)
5	488921	SCREW, 8 X 1/2 (S/P)
6	488930	SCREW (REPAIR) DESCONTINUADO
6	489028	SCREW, 8-15 X 1/2 (S/P)
7	1100189	HOLE PLUG (PLATINUM) (S/P)
7	1100188	HOLE PLUG (TOAST) (S/P)
7	2212648	HOLE PLUG (WHITE) (S/P)
7	989196	HOLE PLUG (ALMOND) (S/P)
8	2188463A	DOOR GASKET MAGNETIC
9	489101	SCREW, 7 X 1/2 (S/P)
9	488552	SCREW (REPAIR) (S/P)
10	2191883	HANDLE END (S/P)
11	509929	CAP, HINGE SLEEVE (2)
12	4387483	HANDLE, CENTER (S/P)
12	2173344	HANDLE, CENTER (FOR PLATINUM MODEL) (S/P)
13	943184	HANDLE END (S/P)
14	943188	SPACER, HANDLE DOOR DESCONTINUADO
15	4210591	INTERIOR DOOR PANEL (S/P)
17	1100777	TRIM, DOOR SHELF (2) (S/P)
18	2152334	NAMEPLATE (S/P)
19	978601	TAPE, STRIP DESCONTINUADO
20	943187	SHIM, HANDLE (S/P)
21	876029	KIT, FOAM SLAB (S/P)

Distribuidor Autorizado

SurteRápido.com

Venta de Refacciones
Electrodomesticas

ET18XMXSW01 UNIT





ET18XMXSW01 UNIT

1	489048	SCREW (S/P)
2	1103640	BUMPER (2) (S/P)
3	2183168	CONDENSER & PRECOOLER DESCONTINUADO
4	1106781	CLIP, TUBE (2) (S/P)
5	2002171	SLEEVE (S/P)
6	741517	SPACER (S/P)
7	943765	HEAT SHIELD EVAPORATOR (S/P)
8	510716	TUBE CLAMP (S/P)
9	1118608	DAMPENER (S/P)
11	943322	SPRING, RELAY CASE (S/P)
12	1105055	CASE, RELAY (S/P)
13	819098	OVERLOAD (S/P)
14	1103820	MUFFLER (S/P)
15	945507	RELAY DESCONTINUADO
16	717253	HOUSING PLUG (S/P)
17	1115581	SPACER, CAPACITOR (S/P)
18	487869	SCREW, 8 X 3/8 (S/P)
19	489151	TUBE, CLAMP (S/P)
20	1100637	CONDENSER, STAND OFF (S/P)
21	48729	SCREW, 8 X 1/2 (S/P)
22	943762	EVAPORATOR DESCONTINUADO
23	4386951	CLIP, CONDENSER MOUNTING (2) (S/P)
24	285002	NUT (S/P)
25	1108016	COVER, CAPACITOR (S/P)
26	510446	RESTRICTOR SLEEVE (S/P)
27	4387019	DRYER (S/P)
28	482981	COMPRESSOR (S/P)
29	547637	CLAMP, DRIER (S/P)
30	1118781	UNIT MOUNTING PLATE (S/P)
31	1105108	EXCHANGER, HEAT DESCONTINUADO
32	1100637	CLIP, STAND OFF (S/P)
33	1105165	HEATER, DEFROST DESCONTINUADO
34	488624	SCREW, 8 X 3/8 (S/P)

35	4387499	BI-METAL, DEFROST
36	942873	CLAMP (S/P)
37	876811	SCREW, 1/4-28 X 1 (S/P)
38	943320	OVERLOAD, SPRING (S/P)
39	4388295	GROMMET (4) (S/P)
40	488480	SCREW, 8 X 1/2 (S/P)
41	2169373	CAPACITOR
42	2201801	EVAPORATOR, TRAY (S/P)
43	819373	RELAY DESCONTINUADO
44	819100	OVERLOAD (S/P)
45	1108115	COVER (S/P)
46	938384	STRAP (S/P)
47	483059	CAPACITOR (S/P)
48	943755	RAIL, UNIT MOUNTING (S/P)
49	487248	SCREW (S/P)
50	488973	SCREW, 1/4-28 X 1 (S/P)
51	2201801	TRAY, EVAPORATOR (S/P)
54	488845	SCREW, 8-32 X 1/2 DESCONTINUADO
55	1108172	SUPPORT, HEATER (S/P)
56	489142	NUT DESCONTINUADO
57	978025	VALVE, ACCESS (1/4``) (S/P)
57	978030	VALVE, ACCESS (3/4``) (S/P)
57	876764	VALVE, ACCESS (3/16``) (S/P)
57	489143	WASHER (S/P)
57	978026	VALVE, ACCESS (5/16``) (S/P)
57	978029	VALVE, ACCESS (5/8``) (S/P)
57	978028	VALVE, ACCESS (1/2``) (S/P)
57	978027	VALVE, ACCESS (3/8``) (S/P)

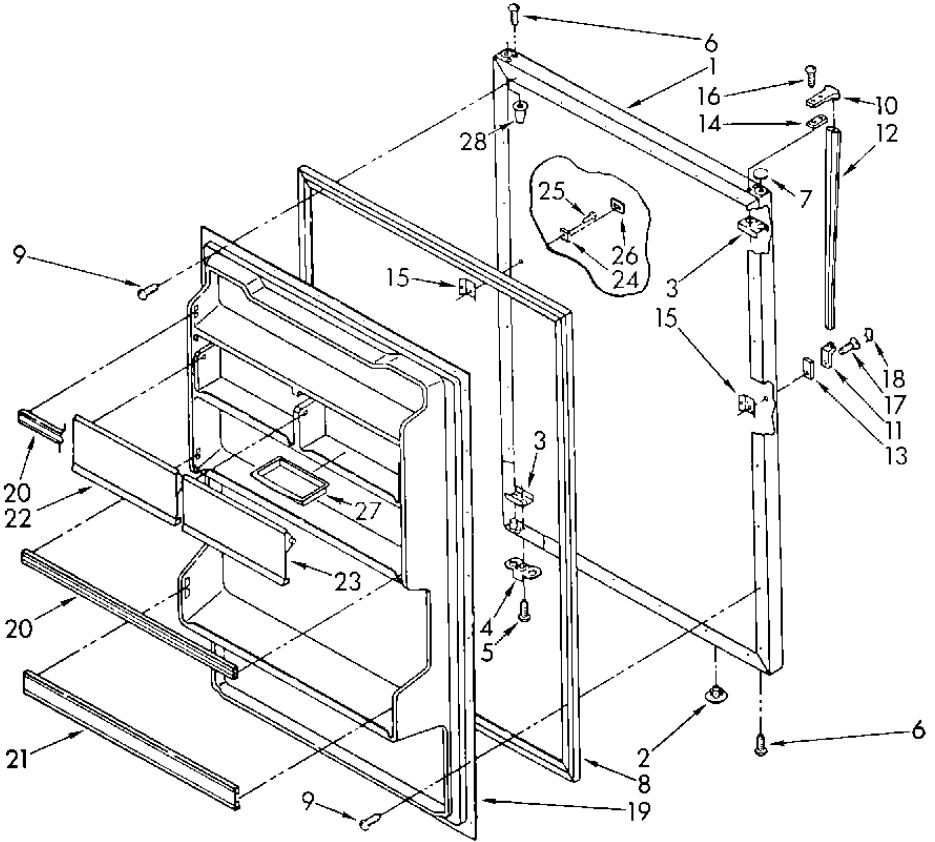
Distribuidor Autorizado

SurteRápido.com

Venta de Refacciones
Electrodomesticas



ET18MXSW01 REFRIGERATOR DOOR





ET18XMXSW01 REFRIGERATOR DOOR

1	1104634	PANEL, REFRIGERATOR DOOR (GOLDEN HARVEST)
1	1104638	PANEL, REFRIGERATOR DOOR (PLATINUM) (S/P)
1	1104632	PANEL, REFRIGERATOR DOOR (WHITE) (S/P)
1	1104636	PANEL, REFRIGERATOR DOOR (ALMOND) (S/P)
1	1104637	PANEL, REFRIGERATOR DOOR (TOAST) (S/P)
2	534927	HOLE PLUG (2) DESCONTINUADO
3	943185	PLATE, TAP (4) (S/P)
4	944036	BRACKET DOOR STOP (S/P)
5	488921	SCREW, 8 X 1/2 (S/P)
6	489028	SCREW, 8-15 X 1/2 (S/P)
6	488930	SCREW (REPAIR) DESCONTINUADO
7	989893	HOLE PLUG (GOLDEN HARVEST) (S/P)
7	1100189	HOLE PLUG (PLATINUM) (S/P)
7	1100188	HOLE PLUG (TOAST) (S/P)
7	989196	HOLE PLUG (ALMOND) (S/P)
8	1109186	DOOR GASKET, MAGNETIC (S/P)
9	489101	SCREW, 7 X 1/2 (S/P)
9	488552	SCREW (REPAIR) (S/P)
10	943182	HANDLE END (S/P)
11	1101632	HANDLE END, SIDE
12	1106189	HANDLE, CENTER (S/P)
12	1109166	HANDLE, CENTER (S/P)
13	992872	SHIM, HANDLE END (SIDE) (S/P)
14	943188	SPACER, HANDLE DOOR DESCONTINUADO
15	939101	SCREW ANCHOR (2) (S/P)
16	488920	SCREW, 8 X 5/8 (2) (S/P)
17	487875	SCREW, 8 X 1/2 (S/P)
18	1101634	SCREW, COVER (S/P)
19	1111825	INTERIOR DOOR PANEL (S/P)
20	946986	TRIM, DOOR (2) (S/P)
21	946989	TRIM, DOOR DESCONTINUADO
22	1111841	COMPARTMENT DOOR, UTILITY DESCONTINUADO
23	1111840	COMPARTMENT, BUTTER DOOR DESCONTINUADO

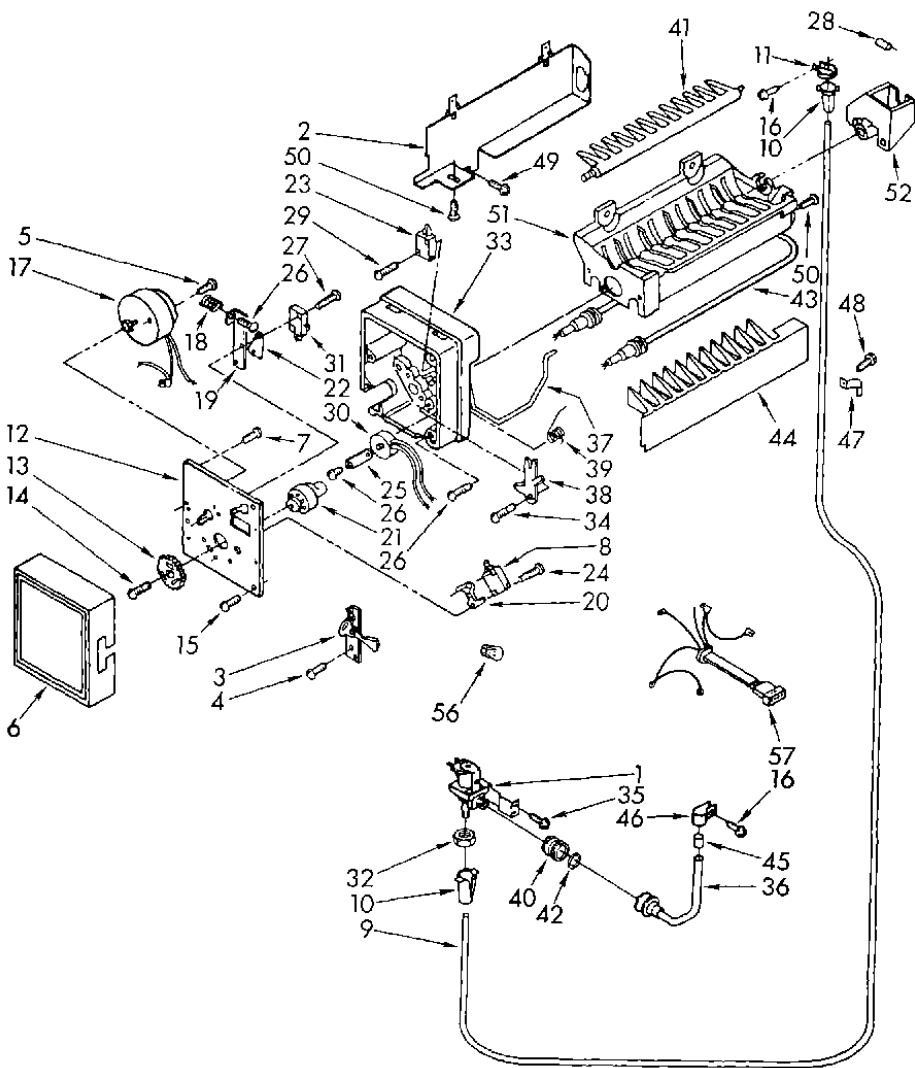
24	1107329	CLIP, MEDALLION (S/P)
25	487909	SCREW, 8 X 1/2 (S/P)
26	1111705	MEDALLION (S/P)
27	520747	TRAY, BUTTER (S/P)
28	509929	CAP, HINGE SLEEVE (2)

Distribuidor Autorizado

SurteRápido.com

Venta de Refacciones
Electrodomesticas

ET18XMXSW01 ICE MAKER





ET18XMXSW01 ICE MAKER

1	4318047	VALVE ASSEMBLY
2	627751	SHIELD, HEAT DESCONTINUADO
3	627248	LEVER & PLATE ASSEMBLY DESCONTINUADO
4	488622	SCREW, 4-40 X 1/4 (S/P)
5	488361	SCREW (USE W/625846 MOTOR) (S/P)
6	627138	COVER DESCONTINUADO
7	488542	SCREW (GROUND) (S/P)
8	627848	SWITCH, S.P.D.T. (S/P)
9	4387492	TUBE, WATER (S/P)
10	4387491	INSERT, TUBE (S/P)
11	488878	TUBE CLAMP (S/P)
12	627740	PLATE, MOUNTING (S/P)
13	628210	GEAR (S/P)
14	488806	SCREW DESCONTINUADO
15	488886	SCREW, 8-18 X 1/2 (3) (S/P)
16	488645	SCREW, 8 X 1/2 (S/P)
17	798654	MOTOR DESCONTINUADO
18	627163	SPRING DESCONTINUADO
19	627024	PLATE VALVE SWITCH (S/P)
20	625834	SPACER, HOLDING SWITCH (S/P)
21	625913	CAM (S/P)
22	627680	INSULATOR (S/P)
23	625851	SWITCH, S.P.D.T. (S/P)
24	488361	SCREW, 4-40 X 1 (S/P)
25	625829	CLAMP (S/P)
26	488372	SCREW, 8-32 X 1 (S/P)
27	488362	SCREW, 4-40 X 3/4 DESCONTINUADO
28	4378431	WATER INLET, TUBE (S/P)
29	488360	SCREW, 4-24 X 3/4 (S/P)
30	627180	THERMOSTAT
31	625947	SWITCH, S.P.S.T. DESCONTINUADO
32	627018	COMPRESSION, NUT (S/P)
33	625827	SUPPORT DESCONTINUADO

34	627199	SCREW, SHOULDER (S/P)
35	488649	SCREW, 8-32 X 1/2 (2) (S/P)
36	480389	TUBE, INLET VALVE (S/P)
37	627003	ARM, SHUT-OFF DESCONTINUADO
38	625830	LEVER, ARM DESCONTINUADO
39	480855	SPRING, SHUT-OFF ARM (S/P)
40	537588	NUT, INLET VALVE (S/P)
41	627375	EJECTOR (S/P)
42	16123	WASHER (S/P)
43	625893	HEATER, MOLD (S/P)
44	625840	STRIPPER, ICE (S/P)
45	2158826	DAMPENER (S/P)
46	510716	TUBE CLAMP (S/P)
47	488366	TUBE, CLAMP (S/P)
48	488645	SCREW, 8 X 1/2 (S/P)
49	486214	SCREW, 8-15 X 1/2 (S/P)
50	489128	SCREW (S/P)
51	625856	MOLD & HEATER ASSEMBLY (S/P)
52	833593	BERAING & INLET DESCONTINUADO
56	227991	CONNECTOR, WIRE (S/P)
57	261891	ENAMEL, GOLDEN HARVEST DESCONTINUADO
57	212643	SEALER, GUM (4 FEET) (S/P)
57	285367	ENAMEL, TOAST (1 QT. UN CUT) (S/P)
57	285368	ENAMEL, PLATINUM (1 QT. UN CUT) (S/P)
57	503695	CORK SEALER (1/4 POUND) (S/P)
57	4317852	CEMENT, ALUMILASTIC (1-1/4 OZ.) (S/P)
57	511873	PAINT, TOUCH-UP 1/2 OZ. (WHITE PORCELAIN) (S/P)
57	606755	BAG, INSULATION (36-5/8`` X 46) (S/P)
57	876370	KIT, INSULATION (14 PCS. 3`` X 24`` X 48``) (S/P)
57	72112	BRUSH TOUCH-UP KIT (TOAST) (S/P)
57	72110	BRUSH TOUCH-UP KIT (GOLDEN HARVEST) (S/P)
57	479502	TAPE, VINYL (3/4`` X 108``) (S/P)
57	72107	BRUSH TOUCH-UP KIT (ALMOND) (S/P)
57	978883	ENAMEL, ALMOND (1 QT. UN CUT) (S/P)
57	799908	SILICONE (SPRAY) (S/P)
57	799833	KIT, EVAPORATOR REPAIR DESCONTINUADO
57	72032	BRUSH TOUCH-UP KIT (BLACK) (S/P)
57	72017	BRUSH TOUCH-UP KIT (WHITE) (S/P)

57	876029	KIT, FOAM SLAB (30`` X 32-1/2`` X 1-1/2``) (S/P)
57	72113	BRUSH TOUCH-UP KIT (PLATINUM) (S/P)
57	833938	KIT, TERMINAL CONNECTOR (S/P)
57	627981	HARNESS, WIRING (S/P)
57	505587	SEALER, MASTIC (1 QT.) (S/P)
57	876370	INSULATION, FIBERGLASS (S/P)
57	799832	KIT, PORCELAIN REPAIR (WHITE) DESCONTINUADO
57	799344	ENAMEL, WHITE (1 QT. UNCUT) (S/P)
57	876370	KIT, INSULATION (2 PCS. 3`` X 24`` X 48``) (S/P)
57	542638	GREASE, SILICONE (1/2 OZ.) (S/P)