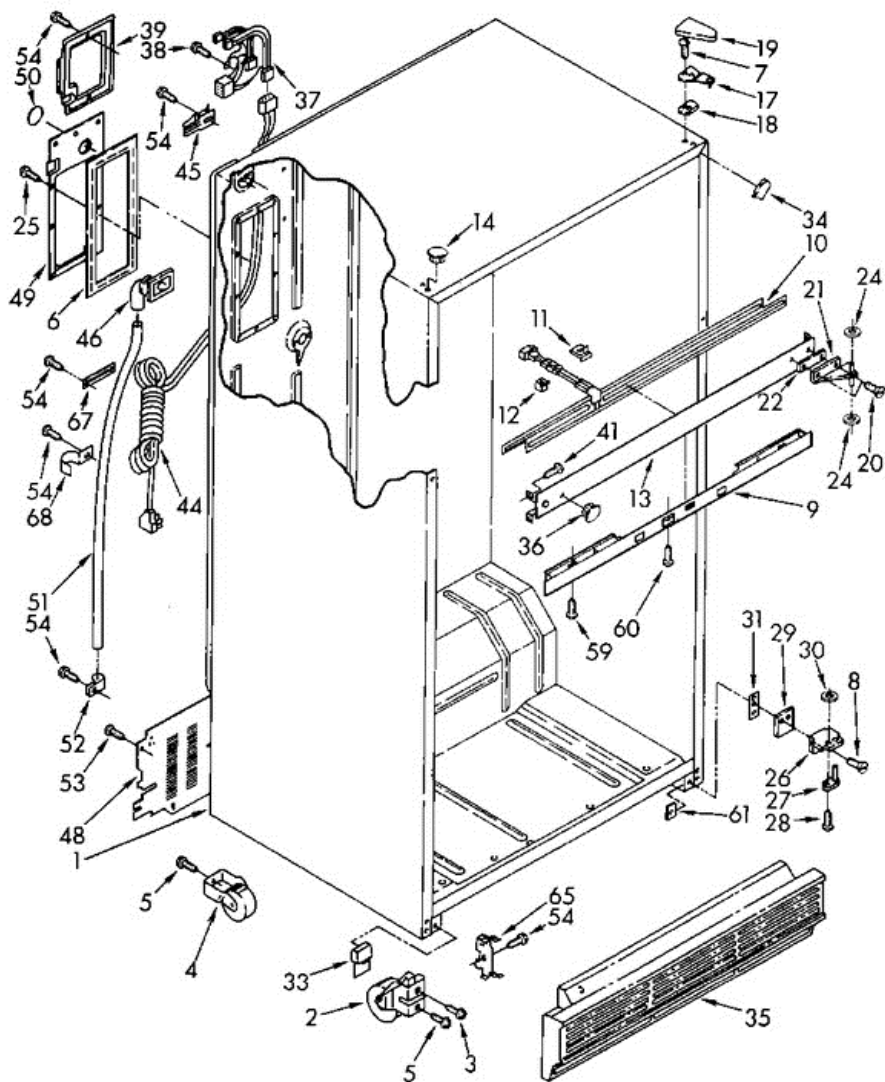


Distribuidor Autorizado

SurteRápido.com

Venta de Refacciones
Electrodomesticas

ET20NKXXN01 CABINET



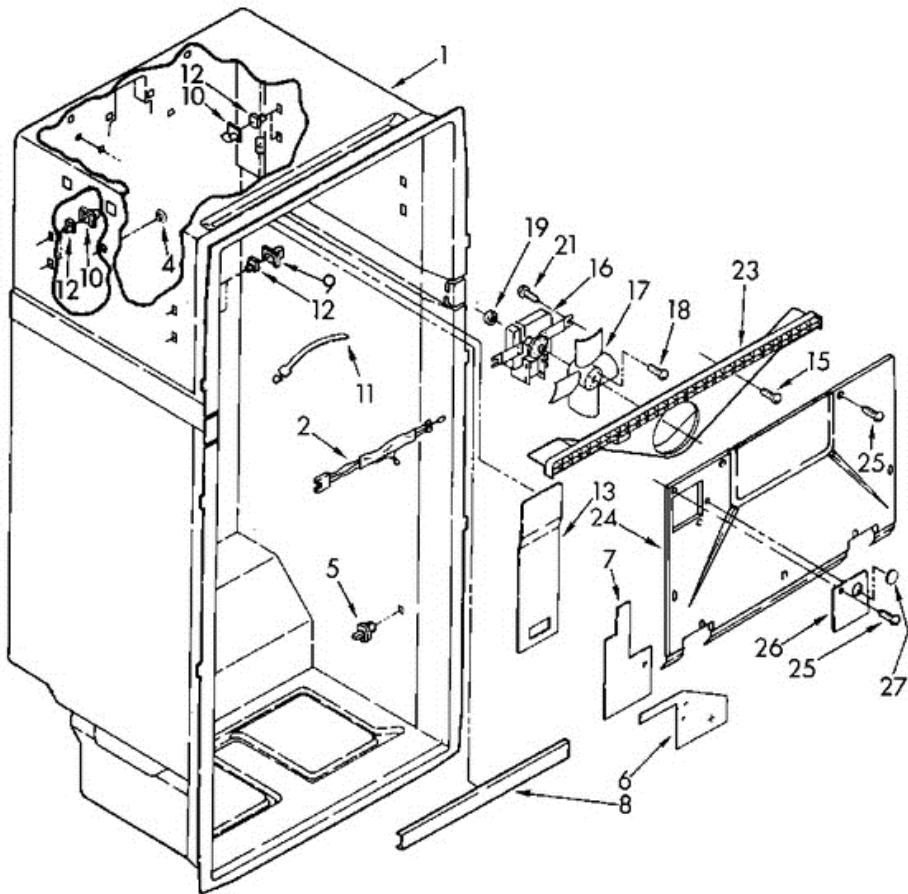


ET20NKXXN01 CABINET

1	N/A	CABINET (NOT A SERVICEABLE PART)
2	2152011	ROLLER, FRONT
3	489333	SCREW, 5/16-24 X 1
4	981122	ROLLER, REAR (2)
5	489339	SCREW, 1/4-28 X 1/2
6	1114548	SEALING GASKET
7	488714	SCREW (REPAIR)
7	489105	SCREW, 10-32 X 1/2
8	488714	SCREW 10-32 X 23/32
9	2148146	CONTROL, FRONT COVER
10	1105433	HEATER, MULLION
11	1129018	CLIP, MULLION (3)
12	2149077	SPACER (2)
13	1122566	CENTER RAIL (WHITE)
13	1122569	CENTER RAIL (ALMOND)
14	2151652	HOLE PLUG (WHITE)
14	2151653	HOLE PLUG (ALMOND)
17	1129045	HINGE, TOP
18	1100511	SHIM, HINGE TOP
19	842010	HINGE COVER (WHITE)
19	989194	HINGE COVER (ALMOND)
20	489242	SCREW
21	2151453	HINGE, CENTER
22	2149077	SHIM, HINGE CENTER
22	836195	SHIM, CENTER (REPAIR)
24	488296	WASHER, 11/64
26	1123378	HINGE BUTT, BOTTOM
27	654366	HINGE PIN, BOTTOM
28	488978	SCREW
29	1123379	SHIM, BOTTOM
30	489200	WASHER, 7/32
31	1121117	SPACER
33	1118078	CORNER FILLER, GRILLE

34	1118058	FILLER, WRAP CORNER (WHITE)
34	1118059	FILLER, WRAP CORNER (ALMOND)
35	1129001	GRILLE
36	1129062	HOLE PLUG (5) (WHITE)
36	1129063	HOLE PLUG (5) (ALMOND)
37	2149633	CABINET, WIRING ASSEMBLY
38	489048	SCREW, 8-32 X 1/2
39	1105606	COVER, WIRING
41	488540	SCREW, 8 X 1/2
44	937360	CORD, SERVICE
45	937357	CLAMP
46	937062	FITTING, DRAIN
48	2147330	COVER, UNIT
49	2147326	COVER, PLUG
50	1129056	HOLE SEAL
51	940091	TUBE, DRAIN
52	836077	CLAMP
53	489337	SCREW
54	487909	SCREW
59	488725	SCREW, 8 X 13/16 (2)
60	489174	SCREW (2)
61	2147310	TAP-PLATE, BOTTOM HINGE
65	1114789	CLIP, GRILLE RETAINER (2)
67	1105607	TUBE CLAMP
68	1110564	CLAMP

ET20NKXXN01 LINER

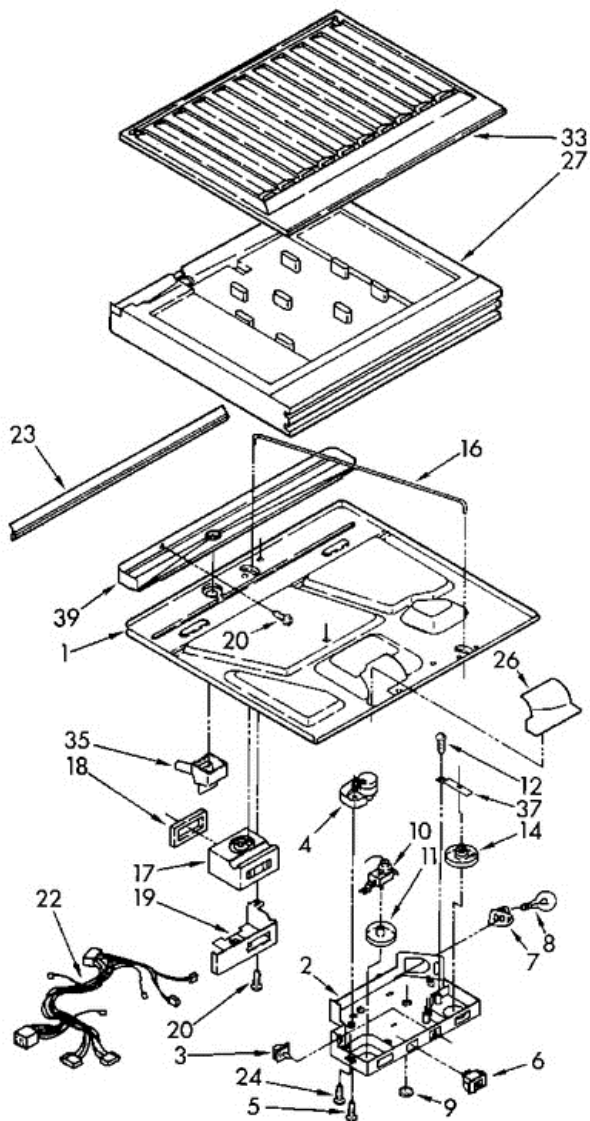




ET20NKXXN01 LINER

1	N/A	LINER (NOT A SERVICEABLE PART)
2	1127626	WIRING, FAN MOTOR
4	941839	HOLE PLUG
5	1106612	SHELF STUD (2)
6	2151521	ELECTRICAL SHIELD
7	1106696	ELECTRICAL SHIELD
8	1106892	ELECTRICAL, SHIELD
9	946356	STUD (2)
10	946357	SADDLE STUD, R.S.
10	946358	SADDLE STUD L.S.
11	1123230	STRAP, MTG.
12	946355	SUPPORT STUD (8)
13	1105447	COVER, AIR DUCT
15	489242	SCREW
16	2154419	MOTOR, FAN
17	1100938	FAN, BLADE
18	487887	SCREW, 3-48 X 1/4 (2)
19	531933	GROMMET (2)
21	489168	SCREW
23	1127100	SCROLL, FAN
24	1118708	EVAPORATOR COVER
25	489196	SCREW (5)
26	1129070	HOLE COVER, EVAPORATOR
27	1103725	HOLE PLUG

ET20NKXXN01 COMPARTMENT

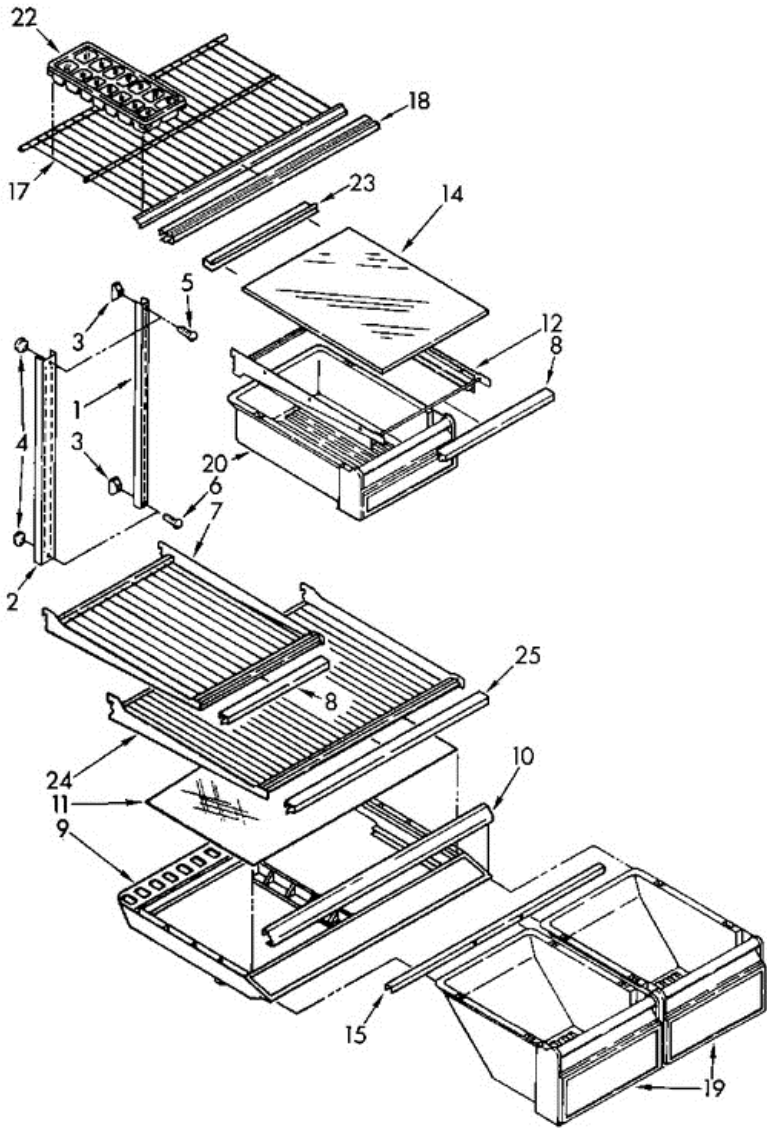




ET20NKXXN01 COMPARTMENT

1	1122715	BOTTOM, COMPARTMENT SEPARATOR
2	1105455	BOX, CONTROL
3	1105461	SWITCH, LIGHT
4	1127570	TIMER, DEFROST (10 HOUR)
5	488693	SCREW
6	1106601	SWITCH, TOGGLE
7	851067	SOCKET (2)
8	946059	BULB, LIGHT (2)
9	940014	HOLE PLUG
10	1123212	THERMOSTAT ASSEMBLY
11	2148150	KNOB, THERMOSTAT
12	487415	SCREW 8 X 3/8
14	2148151	KNOB, AIR CONTROL
16	1105459	ROD, CONNECTING
17	1123221	AIR DIFFUSER ASSEMBLY
18	1114325	GASKET, AIR DIFFUSER
19	1108176	COVER, AIR DIFFUSER
20	489242	SCREW
22	2154411	WIRING ASSEMBLY, CONTROL BOX
23	1114382	GASKET, BOTTOM SEPARATOR
24	489048	SCREW, 8-32 X 1/2 (2)
26	942817	INSULATION, FILLER
27	1105463	INSULATION, COMPARTMENT SEPARATOR
33	1129022	SEPARATOR, COMPARTMENT (TOP)
35	937065	CUP, DRAIN
37	1105457	BRACKET, CONTROL KNOB
39	1105521	DRAIN PAN

ET20NKXXN01 SHELF

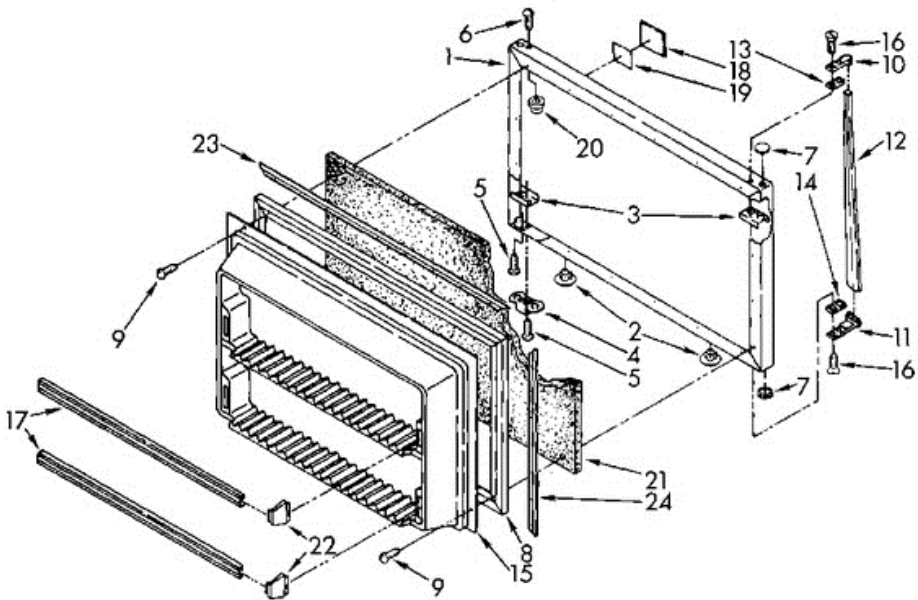




ET20NKXXN01 SHELF

1	1114466	SHELF, LADDER (2)
2	1114465	SHELF, LADDER CENTER
3	520965	SCREW, SUPPORT (4)
4	520959	SCREW, SUPPORT CENTER (2)
5	489345	SCREW, 8-32 X 1-1/4 (3)
6	488163	SCREW, 8 X 1-1/4 (3)
7	1120428	SHELF, CANTILEVER
8	1110742	TRIM, SHELF
9	2148159	CRISPER COVER
10	1105649	TRIM, CRISPER COVER
11	1106929	GLASS, CRISPER COVER
12	1122729	PAN SHELF, CANTILEVER
14	2148208	GLASS, MEAT COVER
15	1106613	CRISPER, SUPPORT
17	1106615	SHELF, FREEZER
18	1106618	TRIM, SHELF FRONT
19	2148160	PAN, CRISPER
20	2148934	PAN, MEAT
22	841180	ICE TRAY
23	1110744	RETAINER, SHELF
24	1122613	SHELF, FULL LENGTH CANTILEVER
25	1114436	TRIM, SHELF

ET20NKXXN01 FREEZER DOOR





ET20NKXXN01 FREEZER DOOR

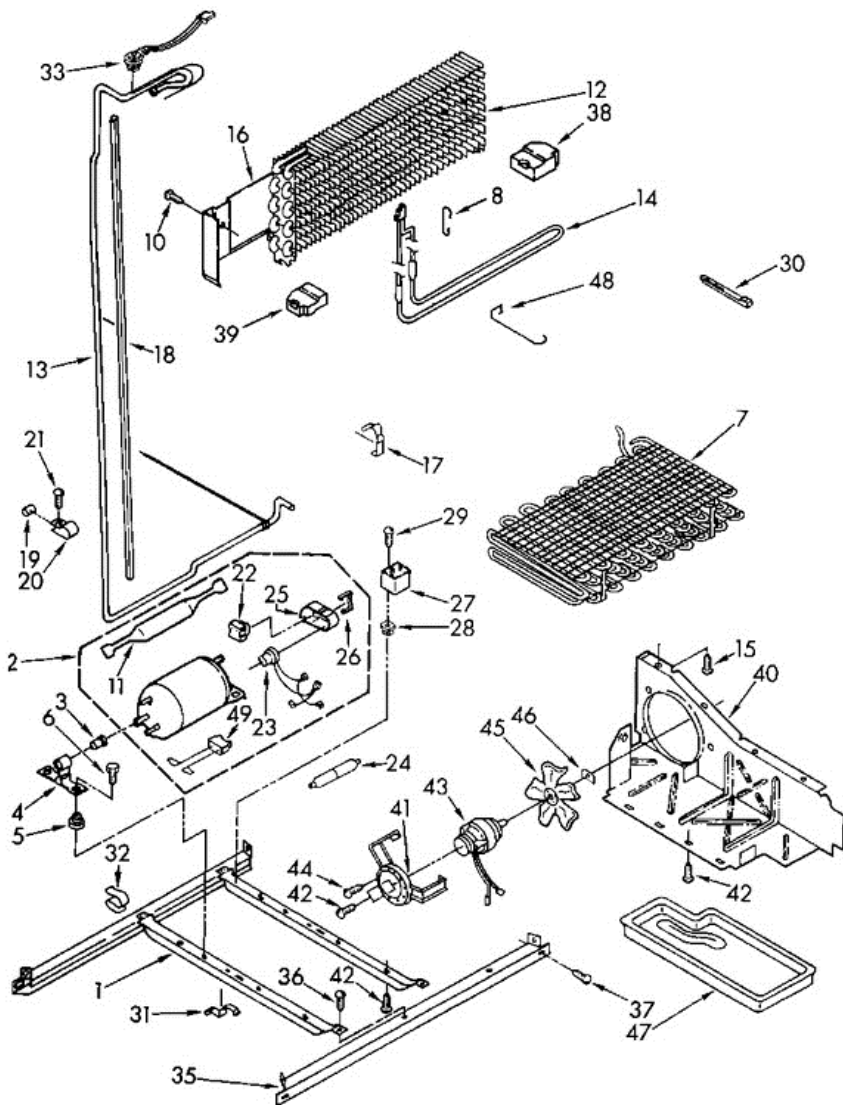
1	1122550	PANEL, FREEZER DOOR (ALSO ORDER 21) (WHITE)
1	1122663	PANEL, FREEZER DOOR (ALSO ORDER 21) (ALMOND)
2	534927	HOLE PLUG (2) (WHITE)
2	989197	HOLE PLUG (2) (ALMOND)
3	943185	PLATE, TAP (4)
4	944035	BRACKET, DOOR STOP
5	488921	SCREW
6	489028	SCREW
7	844478	HOLE PLUG (WHITE)
7	989196	HOLE PLUG (ALMOND)
8	1122831	DOOR GASKET MAGNETIC
9	489084	SCREW (REPAIR)
9	489287	SCREW, 7 X 1/2
10	943184	HANDLE END, TOP
11	2148503	HANDLE END
12	1108729	HANDLE, CENTER
13	943187	SHIM, HANDLE
14	943188	SPACER, HANDLE DOOR
15	1122575	INTERIOR DOOR PANEL
16	489006	SCREW
17	1114327	TRIM, DOOR SHELF (2)
18	2152334	NAMEPLATE
19	991259	STRIP, TAPE
21	876029	KIT, FOAM SLAB
22	1105685	END CAP, TRIM (4)
23	1122552	RETAINER, GASKET
24	1122553	RETAINER, GASKET

Distribuidor Autorizado

SurteRápido.com

Venta de Refacciones
Electrodomesticas

ET20NKXXN01 UNIT



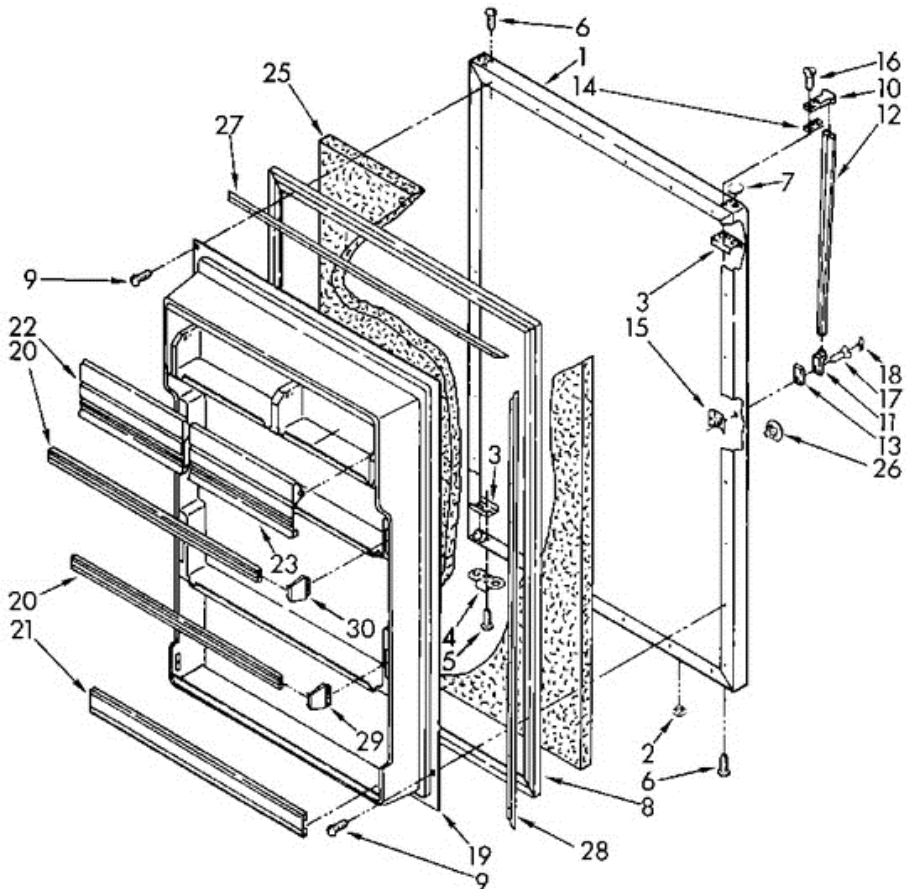


ET20NKXXN01 UNIT

1	2154451	UNIT, FRAME
2	4318250	COMPRESSOR KIT (INCLUDES 11, 22, 23, 25, 26, 27)
3	1105219	GROMMET, COMPRESSOR BRACKET
4	1105220	BRACKET, MOUNTING
5	1100826	GROMMET, (SERVICE COMPRESSOR) (4)
5	1105200	GROMMET, COMPRESSOR (4) (PRODUCTION)
6	489334	SCREW (4)
7	2149613	CONDENSER ASSEMBLY
8	851358	SUPPORT, HEATER
10	487869	SCREW (2)
11	4318249	DRIER
12	1118548	EVAPORATOR ASSEMBLY
13	2149616	HEAT, EXCHANGER
14	2149645	HEATER, DEFROST
15	489242	SCREW
16	1105545	HEAT SHIELD
17	1127590	CLAMP, DRYER
18	1108690	SLEEVE
19	510769	DAMPENER (2)
20	510716	TUBE CLAMP (2)
21	488197	SCREW, 8-32 X 1/2 (2)
22	N/A	RELAY (SEE OVERLOAD)
23	1116635	OVERLOAD (PRODUCTION (INCLUDES RELAY))
23	2154760	OVERLOAD (SERVICE (INCLUDES RELAY))
24	1121121	MUFFLER
25	1105221	TERMINAL COVER (PRODUCTION)
25	1108115	TERMINAL COVER (SERVICE)
26	1105222	STRAP, COVER (PRODUCTION)
26	938384	STRAP, COVER (SERVICE)
27	1114291	RUNNING, CAPACITOR (PRODUCTION)
27	2154565	RUNNING CAPACITOR (SERVICE)
28	509812	SCREW GROMMET
29	489242	SCREW 8 X 5/8

30	851095	STRAP
31	548744	CLIP, UNIT COVER
32	548745	CLIP, WIRE (2)
33	2149641	DEFROST BIMETAL
35	2149717	UNIT, RAIL
36	489339	SCREW, 1/4-28 X 1/2 (2)
37	489340	SCREW (4)
38	1118805	SUPPORT (R.S.)
39	1118806	SUPPORT (L.S.)
40	1127938	AIR, BAFFLE
41	548695	FAN, MOUNTING BRACKET
42	488624	SCREW, 8 X 3/8
43	2149963	FAN MOTOR
44	489019	SCREW, 8-32 X 3/8 (3)
45	989524	FAN, BLADE
46	486692	SPEED NUT
47	1105523	TRAY, EVAPORATOR
48	1105612	GUARD, FAN
49	1127675	WIRE
49	876764	VALVE, ACCESS (3/16``)
49	978025	VALVE, ACCESS (1/4``)
49	978026	VALVE, ACCESS (5/16``)
49	978027	VALVE, ACCESS (3/8``)
49	978028	VALVE, ACCESS (1/2``)
49	978029	VALVE, ACCESS (5/8``)
49	978030	VALVE, ACCESS (3/4``)

ET20NKXXN01 REFRIGERATOR DOOR





ET20NKXXN01 REFRIGERATOR DOOR

1	1122549	PANEL, REFRIGERATOR DOOR (ORDER 25) (WHITE)
1	1122658	PANEL, REFRIGERATOR DOOR (ORDER 25) (ALMOND)
2	534927	HOLE PLUG (2)
3	943185	PLATE, TAP (4)
4	1115910	BRACKET, DOOR STOP
5	488921	SCREW
6	489028	SCREW
7	844478	HOLE PLUG (WHITE)
7	989196	HOLE PLUG (ALMOND)
8	1122828	DOOR GASKET, MAGNETIC
9	489084	SCREW (REPAIR)
9	489287	SCREW, 7 X 1/2
10	2148503	HANDLE END
11	1101632	HANDLE END CAP
12	1106189	HANDLE, CENTER
13	992872	SHIM, HANDLE END (SIDE)
14	943188	SPACER, HANDLE DOOR
15	2151669	SCREW ANCHOR (2)
16	489006	SCREW
17	487909	SCREW
18	981182	SCREW COVER
19	2156205	INTERIOR DOOR PANEL
20	1114322	TRIM, DOOR (2)
21	1114323	TRIM, DOOR
22	2148168	COMPARTMENT DOOR, UTILITY
23	2148167	COMPARTMENT, BUTTER DOOR
25	876029	FOAM INSULATION
26	844478	MEDALLION (WHITE)
26	989196	MEDALLION (ALMOND)
27	1122552	RETAINER, GASKET
28	1122551	RETAINER, GASKET
29	1106861	ENDCAP, TRIM (2)
30	1105685	END CAP, TRIM (2)

30	212643	SEALER, GUM (4 FEET)
30	261890	XENAMEL, GOLD (13 OZ. SPRAY CAN)
30	261891	ENAMEL, GOLD (1 QT. UNCUT)
30	285365	PAINT, SPRAY (13 OZ.) (TOAST)
30	285366	PAINT, SPRAY (13 OZ.) (PLATINUM)
30	285367	ENAMEL, TOAST (1 QT. UNCUT)
30	285368	ENAMEL, PLATINUM (1 QT. UNCUT)
30	350930	PAINT, PRESSURIZED SPRAY 12 OZ.) (WHITE)
30	350939	ENAMEL, BLACK (13 OZ. SPRAY CAN)
30	350941	LEVELER, ENAMEL (13 OZ. SPRAY CAN)
30	350942	PRIMER WHITE (13 OZ. SPRAY CAN)
30	350956	XENAMEL, ALMOND (13 OZ. SPRAY CAN)
30	479502	TAPE, VINYL (3/4 X 108``)
30	503695	CORK, SEALER (1/4 POUND)
30	505587	SEALER, MASTIC (1 QT.)
30	511873	PAINT, TOUCH-UP 1/2 OZ. (WHITE PORCELAIN)
30	542638	GREASE, SILICONE (1/2 OZ.)
30	542639	CEMENT, ALUMILASTIC (1-1/4 OZ.)
30	606755	BAG, INSULATION (36-5/8`` X 46``)
30	72017	PAINT, TOUCH-UP (1/2OZ.) (WHITE)
30	72032	PAINT, TOUCH-UP (1/2OZ.) (BLACK)
30	72107	PAINT, TOUCH-UP (1/2OZ.) (ALMOND)
30	72110	PAINT, TOUCH-UP 1/2 OZ. (HARVEST GOLD)
30	72112	PAINT, (TOUCH-UP 1/2 OZ.) (TOAST)
30	72113	PAINT, TOUCH-UP 1/2 OZ. (PLATINUM)
30	799344	PAINT, BULK (1 QT.) (WHITE (UNCUT))
30	799833	KIT, EVAPORATOR REPAIR (ALUMINUM EPOXY)
30	833938	KIT, TERMINAL CONNECTOR
30	876029	KIT, FOAM SLAB (30`` X 32-1/2`` X 1-1/2``)
30	876305	KIT, INSULATION (14 PCS. 3`` X 24`` X 48``)
30	876370	KIT, INSULATION (2 PCS.) 3`` X 24`` X 48``)
30	978883	ENAMEL, ALMOND (1 QT. UNCUT)
30	978941	INSULATION, FIBERGLASS (63-1/2`` X 35-1/2`` X 2-5/8``)