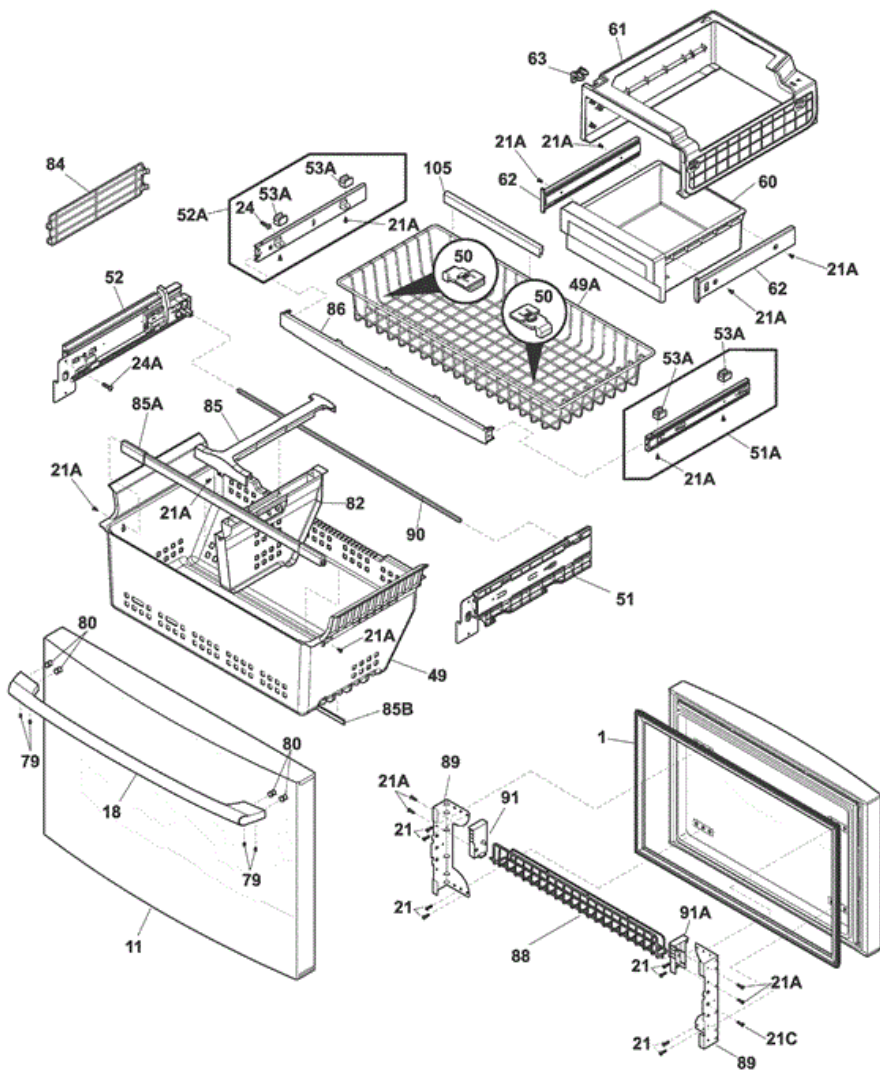


Distribuidor Autorizado

SurteRápido.com

Venta de Refacciones  
Electrodomesticas

## EW23BC85KS7 FREEZER DRAWER



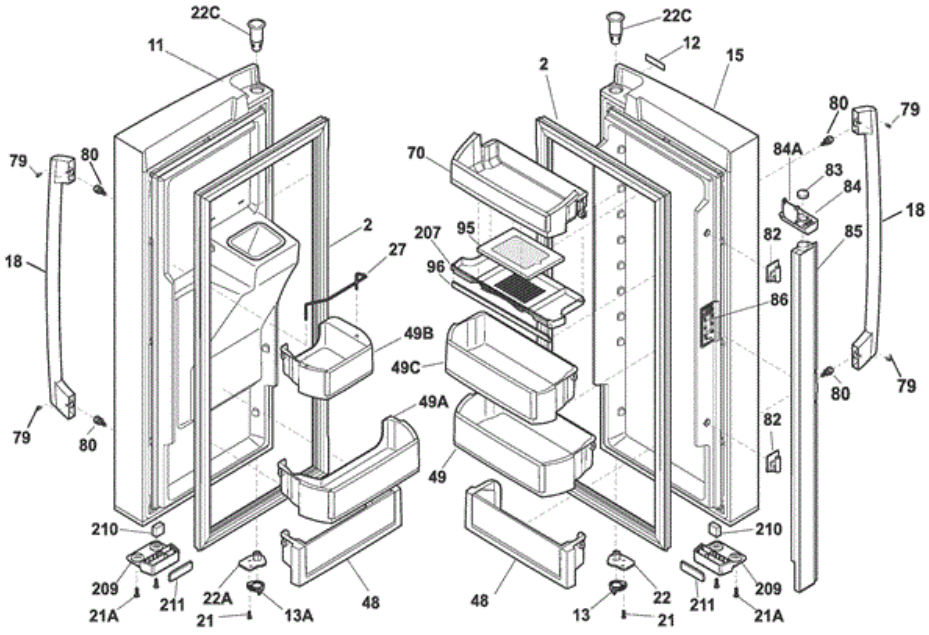


## EW23BC85KS7 FREEZER DRAWER

11	241987922	DRAWER,STAINLESS ,FREEZER
18	241881310	HANDLE-FRZR DRAWER,STAINLESS
21	241690602	SCREW,QUADREX ,NO.10-16 HILO
21A	241953902	SCREW,NO.8 - 18 X .380 ,3
21C	241899703	SCREW,TRUSS HEAD ,NO.10-32 X 1/4 ,ZINC
24	240383406	SCREW,TRUSS HD QUAD ,NO.10-16 X .500 ,ZINC
24A	240383412	SCREW,TRUSS HD QUAD ,NO.10-16 X .750 ,ZINC
49	242130801	BASKET-FRZR,PLASTIC ,LOWER
49A	241780811	BASKET-FRZR,UPPER
50	242219502	CLIP-BASKET,PULL SIDE
51	242147108	SLIDE ASSEMBLY,BASKET LOWER ,RH ,FREEZER DRAWER
51A	241894221	SLIDE ASSEMBLY,BASKET ,RH ,FREEZER DRAWER
52	242147107	SLIDE ASSEMBLY,BASKET LOWER ,LH ,FREEZER DRAWER
52A	241894222	SLIDE ASSEMBLY,BASKET ,LH ,FREEZER DRAWER
53A	242216301	RETAINER-BASKET
60	242131602	BIN-SOFT FREEZE
61	242177602	HOUSING W/GASKET,SOFT FREEZE BIN ,FREEZER DRAWER
62	242154101	SLIDE ASSEMBLY,SOFT FREEZE BIN ,FREEZER DRAWER
63	242159501	CLIP-SOFT FREEZE BIN,FREEZER DRAWER
79	218755401	SCREW-SET,10-32 X 0.375
80	218755504	SCREW-SHOULDER,NO.10 AB ,HANDLE MOUNTING
82	242131401	DIVIDER,BASKET
84	241780905	DIVIDER,BASKET
85	242139401	DIVIDER,BASKET ,LOWER
85A	242139301	SUPPORT-BEAM,DIVIDER ,LOWER BASKET
85B	241872203	SUPPORT-BEAM
86	241807605	TRIM,DRAWER ,STABILIZER
88	241824008	RACK-NON-TILT OUT,DOOR
89	241972302	BRACKET-FREEZER DRAWER
90	242136901	BAR-TIMING
91	241824102	CAP-DOOR RACK

105	242116801	TRIM-BASKET
91A	241824101	CAP,DOOR RACK ,WHITE
F1	241778308	GASKET-FRZR DRAWER,GRAY ,MAGNETIC
F51A	242039701	SCREW,BASKET SLIDES
NI	241601002	WRENCH,ALLEN
NI	241701902	SCREWDRIVER,HEX ,3/32`` ,BALL DRIVER
NI	242011101	PIN-LOCK
NI	242015001	SCREW,8-18 X 1/2
NI	242039702	SCREW,SHOULDER ,NO.10-16 ,(2)
NI	242139201	SPRING-COMPRESSION,DIVIDER ,LOWER BASKET
NI	242146401	SCREW,SER HEX WASH HD ,1/4-20 X 5/8 ,(4)
NI	242147601	PLATE,TAPPING
NI	242163601	FLOOR,RIBBED ,SOFT FREEZE BIN

**EW23BC85KS7 FRESH FOOD DOOR**





## EW23BC85KS7 FRESH FOOD DOOR

11	241988086	DOOR-REFR,STAINLESS ,LH ,LH
12	241873301	NAMEPLATE,ELECTROLUX ,STAINLESS
13	241868401	DOOR STOP,REFRIG RH ,PLATED
13A	241868402	DOOR STOP,REFR LH ,PLATED
15	241988085	DOOR-REFR,STAINLESS ,RH
18	241881309	HANDLE-DOOR,STAINLESS
21	242017501	SCREW,10-32 X 0.750
21A	241953901	SCREW,NO.8-18
22	242075601	CAM,UPPER HINGE ,RH
22A	242075602	CAM,UPPER HINGE ,LH
22C	241760401	BEARING,HINGE ,TOP
27	241752702	RETAINER,TALL BOTTLE
48	241804303	BIN-DOOR,CAN
49	241804006	BIN-DOOR,GALLON
49A	241896003	BIN-DOOR,2-LITER
49B	241906302	BIN-DOOR,DISPENSER
49C	241896103	BIN-DOOR,1/2 GALLON
70	242131801	BIN-DOOR,1/2 GALLON
79	218755401	SCREW-SET,10-32 X 0.375
80	218755504	SCREW-SHOULDER,NO.10 AB ,HANDLE MOUNTING
82	241779401	HINGE-MULLION,UPPER/LOWER ,FLIPPER
83	241812202	MAGNET,FREEZER DRAWER
84	242190401	GUIDE-MULLION,MAGNET COVER ,FLIPPER
84A	242190501	COVER-MULLION,MAGNET COVER
85	241778811	FLIPPER MULLION ASSEMBLY,W/HEATER
86	241779801	HINGE-MULLION,CENTER ,FLIPPER
95	242047801	FILTER-AIR
96	242048001	TRIM-DOOR AIR FILTER,W/GRAPHICS
207	242047901	HOUSING-AIR FILTER
209	242291001	HOUSING,MAGNET ,WHITE
210	241779101	MAGNET,DOOR
211	241979601	BUMPER,RUBBER ,WHITE
F2	241778307	GASKET-REFR DOOR,GRAY ,MAGNETIC

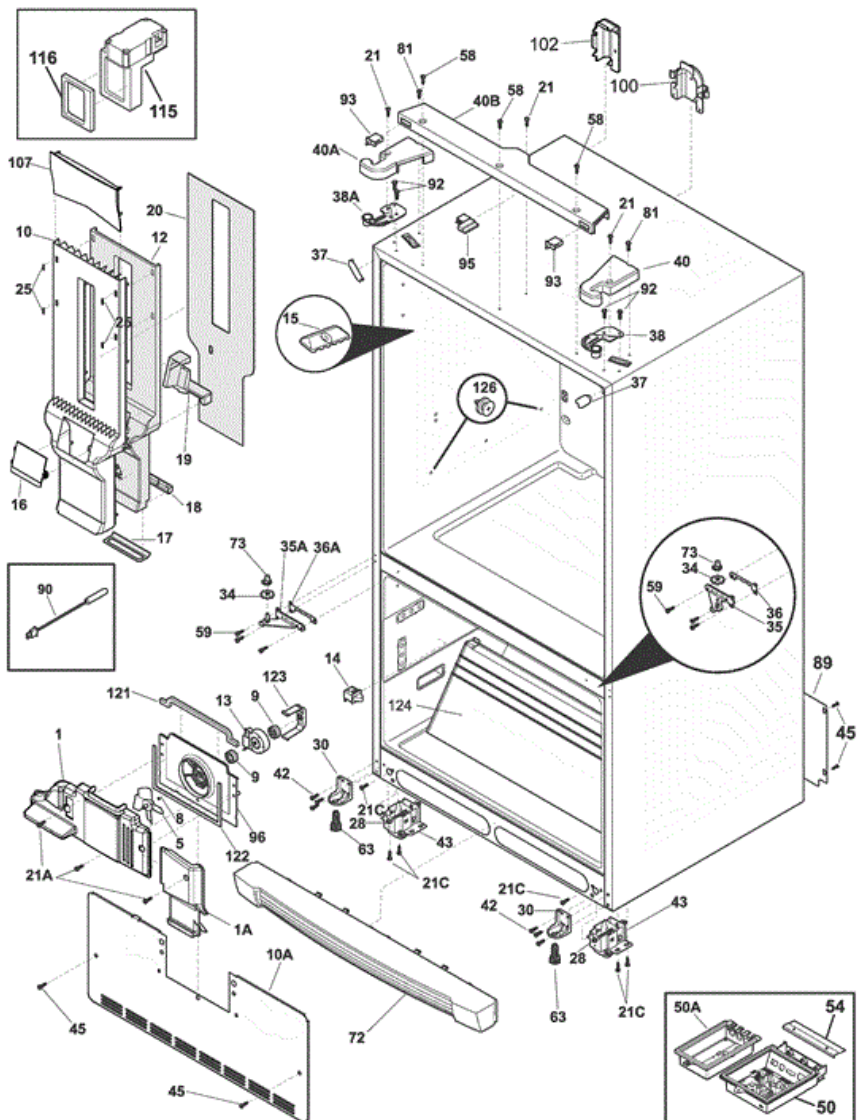
FNI	241788402	HARNESS-WIRING,FLIPPER MULLION
FNI	241926002	HARNESS-WIRING,DOOR
NI	241601002	WRENCH,ALLEN
NI	241701902	SCREWDRIVER,HEX ,3/32`` ,BALL DRIVER
NI	242015001	SCREW,8-18 X 1/2
NI	242064001	SCREW
NI	242068601	BUMPER,FLIPPER MULLION
NI	242103001	CONNECTOR-WATER,STRAIGHT ,5/16 TO 5/16

Distribuidor Autorizado

SurteRápido.com

Venta de Refacciones  
Electrodomesticas

## EW23BC85KS7 CABINET





## EW23BC85KS7 CABINET

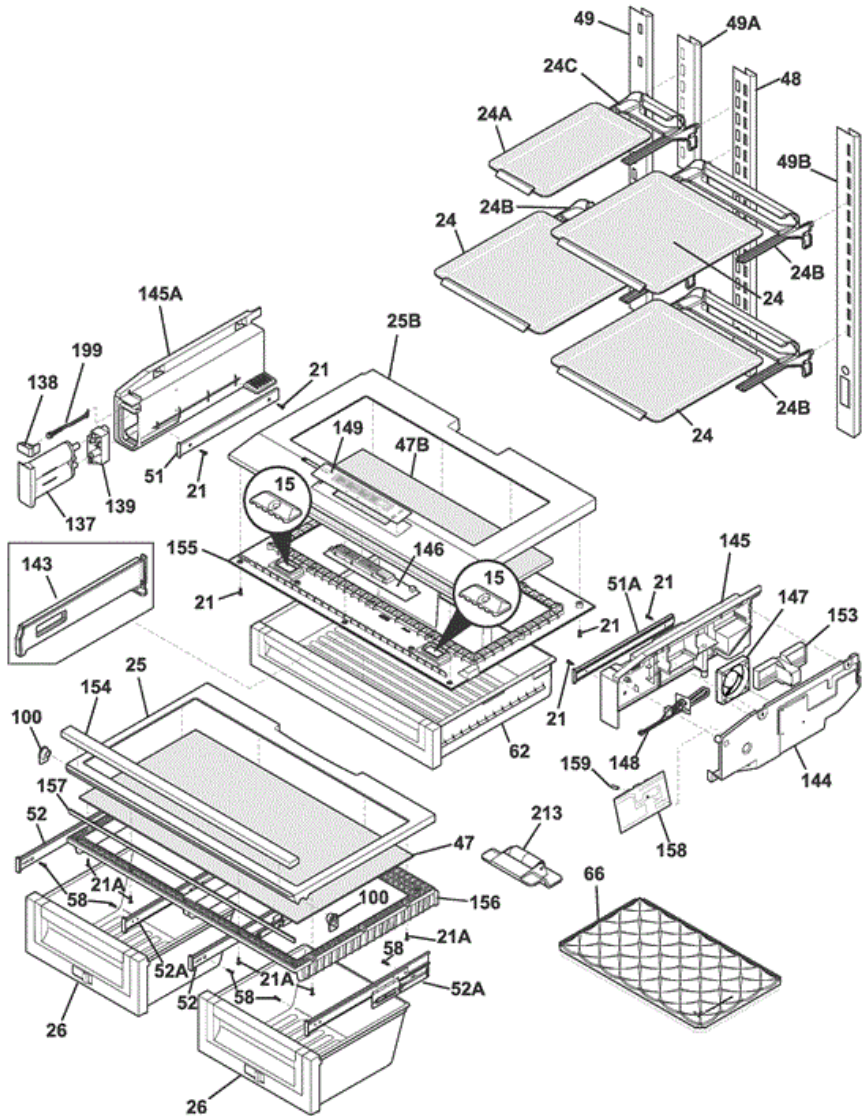
1	242099402	COVER-FAN
10A	241860402	COVER-EVAP COIL,LOWER
8	215474201	WASHER,`SLINGER` ,NYLON ,EVAP FAN SHAFT
9	241518301	BUSHING,MOTOR MOUNTING
10	242058504	COVER-AIR DUCT
12	242073901	FOAM-AIR SUPPLY
16	242164401	COVER-DAMPER
17	241928201	GASKET-AIR DUCT
18	241928101	DUCT-AIR
19	241871901	SUPPORT-EPS DAMPER
1A	242159201	COVER,FAN
20	241922902	COVER-AIR DUCT,REAR
21	241732101	SCREW,10-32 X 1/2
21A	242015001	SCREW,8-18 X 1/2
21C	218252201	SCREW,NO.8 TRUSS HD ,10-32CA X 0.500
25	241949502	CLIP,AIR VENT
28	240335502	BOLT-ROLLER ADJ,HEX WASHER HEAD
30	241778701	BRACKET-ANTI TIP
34	241868301	WASHER,HINGE ,NYLON ,(2)
35	241763005	HINGE-LOWER,ZINC ,RH
35A	241763006	HINGE-LOWER,ZINC ,LH
36	241868201	SPACER,DOOR ,LOWER RH
36A	241868202	SPACER,DOOR ,LOWER LH
37	240337616	TRIM-CABINET CORNER,GRAY ,(2)
38	241761301	BRACKET-UPPER HINGE,RH
38A	241761302	BRACKET-UPPER HINGE,LH
40	241778009	COVER-UPPER HINGE,GREY ,RH
40A	241778010	COVER-UPPER HINGE,GREY ,LH
40B	241862405	COVER-UPPER HINGE,GREY ,CENTER
42	240578902	SCREW,HEX HEAD ,1/4-20 X 5/8
43	240335006	ROLLER ASSY,FRONT ,(2)
45	241500303	SCREW,HEX WASHER HEAD ,8-18AB X 1/2
54	241532401	CHANNEL



58	241853202	SCREW
59	240442706	SCREW-NO.10-32 X 3/4,ZINC
63	216396900	SCREW,LEVELING FOOT ,PLASTIC ,ADJUSTABLE
72	241930301	GRILLE/KICKPLATE
73	242075701	CAM-LOWER HINGE
81	242025601	SCREW,HEX HEAD ,NO.10-32 X 3/8
89	241733902	COVER-ACCESS,W/LABEL
90	240597203	SENSOR,TEMPERATURE ,10K ,NTC
92	241710601	SCREW,HEX WASHER HD ,1/4 X 7/8 ,HINGE MTG
95	241530501	SENSOR,HUMIDITY
96	241860601	SHROUD-EVAP FAN MTG
100	242157601	COVER,TUBING ,EPS BLOCK
102	242157501	COVER,TUBING ,EPS BLOCK
107	241963101	DUCT-AIR, TOP
115	241518501	DAMPER,MOTORIZED
116	241518601	SEAL-DAMPER,FOAM
121	241860103	GASKET-EVAP,UPPER
122	241860102	GASKET-EVAP,BOTTOM
123	242135301	CLIP,EVAP FAN MOTOR ,EVAP FAN MOTOR
124	242006902	DUCT-AIR,FREEZER
126	242081301	SCREW-SHOULDER
F10A	241557601	PLUG-HOLE,ICEMAKER
F10A	241860104	GASKET-COIL COVER
F10A	241860105	GASKET-COIL COVER
F13	241509402	MOTOR,EVAPORATOR FAN
F14	242060202	SWITCH-LIGHT/LAMP,FRZR DOOR
F15	241891104	LIGHT-LED
F40B	218515401	CLIP-GRILLE
F5	5308000010	FAN BLADE,RED ,EVAPORATOR FAN
F50	242115235	BOARD-MAIN POWER,BOARD & HOUSING
F50A	241852501	CLIP,WIRING HARNESS
F50A	241891603	BOARD-LED POWER
F93	241835505	SWITCH-LIGHT,GREY
FNI	242015901	HARNESS-HINGE JUMPER,HINGE JUMPER
FNI	242045503	HARNESS-WIRING
FNI	242119001	HARNESS-WIRING
NI	218362501	SCREW,HEX WASHER HEAD ,8-18AB
NI	241695904	SCREW

NI	241810104	SEAL,HOUSING
NI	241842301	CAP-THERMISTOR
NI	241859801	COVER-EPS,DAMPER
NI	241860111	GASKET-EVAP,BOTTOM
NI	241860112	GASKET-EVAP,UPPER
NI	241953901	SCREW,NO.8-18
NI	241953902	SCREW,NO.8 - 18 X .380 ,3
NI	241953904	SCREW,NO.8-18
NI	241969001	CAP,SCREW
NI	242004802	FOAM STRIP
NI	5304455650	SCREW,HEX WASHER HEAD ,8-15A X 0.625

**EW23BC85KS7 SHELVES**





## EW23BC85KS7 SHELVES

21	241953902	SCREW,NO.8 - 18 X .380 ,3
24	242128403	SHELF-GLASS,FORMED
25	241802205	FRAME-CRISPER COVER,UPPER
26	241772808	PAN-CRISPER
47	241768802	GLASS-CRISPER FRAME
48	242122101	CHANNEL-SHELF MTG,CENTER
49	242122204	CHANNEL-SHELF MTG,SIDE ,LH
51	242156403	SLIDE-DELI SOFT CLOSE,BM ,LH
52	242156505	SLIDE-CRISPER COVER,SOFT CLOSE ,LH ,BM
58	241941202	SCREW,8-18 X 3/8
62	241827206	PAN-DELI
66	242131002	MAT-WINE
100	241768601	SUPPORT-CRSPR COVER
138	241885901	BUTTON-FILTER RELEASE
139	240396002	BASE-WATER FILTER
143	242151004	DIVIDER-DELI PAN
144	241803901	COVER-DELI AIR CONTROL
145	241803803	HOUSING-DELI AIR CONTROL
147	241825704	FAN ASSEMBLY,MOTOR ,WITH BLADE
154	241879902	TRIM-CRISPER COVER
155	241803403	FRAME-DELI COVER,LOWER
156	241872006	FRAME-CRISPER COVER,LOWER
157	241872201	BEAM-CRISPER COVER
159	241815401	CAP,PCBA HOLD DOWN
199	240397501	ROD
213	242010901	ROLLER ASSY,DELI PAN
21A	241953901	SCREW,NO.8-18
24A	242128404	SHELF-GLASS,FORMED
24B	242216402	BRACKET-SHELF,W/GASKET
24C	242216401	BRACKET-SHELF,W/GASKET
25B	5303918487	COVER-PAN,PTD ,COVER KIT
47B	241967401	GLASS,2 PANE INSULATD
49A	242122001	CHANNEL-SHELF MTG,CENTER ,ICEMAKER SHELF

49B	242122302	CHANNEL-SHELF MTG,SIDE ,RH
51A	242156401	SLIDE-DELI SOFT CLOSE,BM ,RH
52A	242156506	SLIDE-CRISPER COVER,SOFT CLOSE ,RH ,BM
F137	240526901	O-RING,WTR FILTER BASE
F137	242175101	FILTER-WATER,WATER ,CARBON CASSETTE
F139	241858401	SCREW,NO.6 X 1/2 HILO
F145	242058709	SUPPORT,RAIL
F146	241822602	HARNESS-POWER PTD
F146	241958401	CONTROL-ELECTRONIC,PTD
F146	242130101	CLIP,RETAINER ,PTD BOARD
F147	241936201	DAMPER-RUBBER,PTD FAN
F148	240451503	SCREW,IND HEX WSHR HD ,8-32 X 0.375 ,TRILOBE
F148	241782001	HEATER-PTD,115 V
F149	242025901	OVERLAY,ELECTRONIC ,MEMBRANE SWITCH
F15	241891104	LIGHT-LED
F153	241775301	MOTOR-DAMPER
F153	241835402	HARNESS-WIRING,MIXING VALVE
F158	241955004	BOARD-MAIN POWER,PTD
F199	240398401	SPRING-FILTER RELEASE ROD
F25B	241862501	HARNESS-WIRING,PTD MAIN W/LED
F25B	241862601	HARNESS-WIRING,PTD W/LED
NI	241500303	SCREW,HEX WASHER HEAD ,8-18AB X 1/2
NI	242110284	ENERGY GUIDE





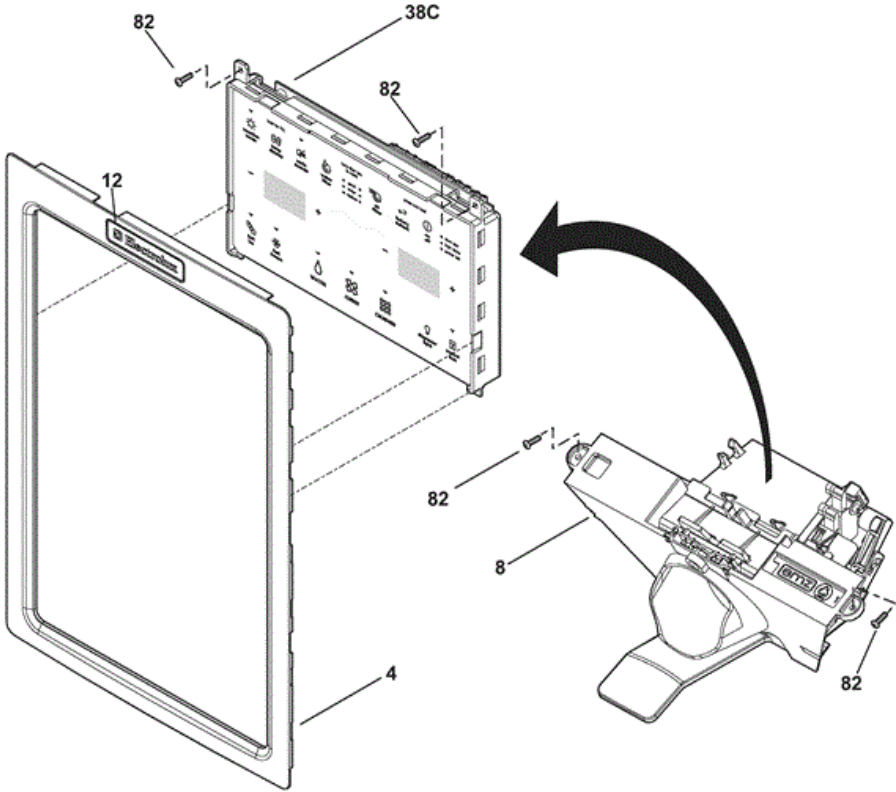
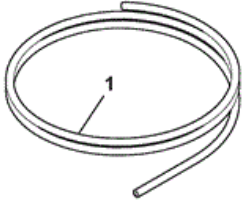
## EW23BC85KS7 COOLING SYSTEM

3	241838401	BLOCK-EVAP COIL,STYROFOAM INSUL ,RH
16	5308000110	STRAP-EVAP/HEATER,ALUMINUM ,(2)
17	241791201	TROUGH-DRAIN
18	241860101	GASKET,CLOSED CELL
1A	241987301	DEFLECTOR-AIR,CONDENSER
21A	218362501	SCREW,HEX WASHER HEAD ,8-18AB X 1.250
22	241602112	BASE-COMPRESSOR,W/ROLLERS
23	218513300	GROMMET-COMPR MTG,(4)
25	240491503	SCREW-COMPRESSOR MTG,1/4-28 X 1.16 ,(4)
26	241920604	PAN-DEFROST
34	241929901	GROMMET-COND MTG,(4)
34A	241929902	GROMMET-COND MTG,(4)
3A	241838402	BLOCK-EVAP COIL,STYROFOAM INSUL ,LH
41	240555002	SCREW-NO.8-32 X 3/8
44	215174700	CLAMP-SERVICE CORD,STRAIN RELIEF ,GALV STEEL
45	5304455650	SCREW,HEX WASHER HEAD ,8-15A X 0.625
54	241532401	CHANNEL
58	240569201	SCREW,8-18 X 0.500
59	241946106	SHROUD-COND FAN
61	241639501	BLADE-CONDENSER FAN
81	240359403	SCREW-FAN SHROUD,(2)
82	5304418225	ROLLER,COMPRESSOR BASE ,REAR ,(2)
83	5304455655	RIVET,FLAT HEAD ,1/4 OD X 1-3/4 ,ROLLER PIN
84	241830902	TUBE-DRAIN,LOWER
86	240409302	SPACER-COND TUBE,BLACK
87	241871501	TUBE-CONNECTOR,SUCTION
89	215346900	TUBE-PROCESS
90	240597203	SENSOR,TEMPERATURE ,10K ,NTC
F1	241862901	CONDENSER
F14	5303918410	DEFROST HEATER KIT,28'
F15	5303918569	EVAPORATOR KIT,C/D FDBM
F21	242046001	THERMOSTAT-DEFROST
F29	241706202	COMPRESSOR,SERVICE

F30	241577505	INVERTOR
F4	242047603	DRYER-FILTER
F50	242115235	BOARD-MAIN POWER,BOARD & HOUSING
F50A	241852501	CLIP,WIRING HARNESS
F50A	241891603	BOARD-LED POWER
F6	241516901	CORD-SERVICE
F60	242018301	MOTOR-CONDENSER FAN
FNI	241510904	HARNESS-DISPENSER,GROUNDING
FNI	242119001	HARNESS-WIRING
FNI	242141401	HARNESS-WIRING,MACHINE COMPT
NI	218252201	SCREW,NO.8 TRUSS HD ,10-32CA X 0.500
NI	218515401	CLIP-GRILLE
NI	240346701	TAPE-FOAM SEAL,SHROUD
NI	241810104	SEAL,HOUSING
NI	241947701	SPACER,HEAT EXCHANGER
NI	242036801	CLIP-TUBE,DRAIN
NI	3205266	EDGE PROTECTOR,WIRING HARNESS
NI	5303918428	HOT TUBE REPAIR KIT,SERVICE



**EW23BC85KS7 CONTROLS**

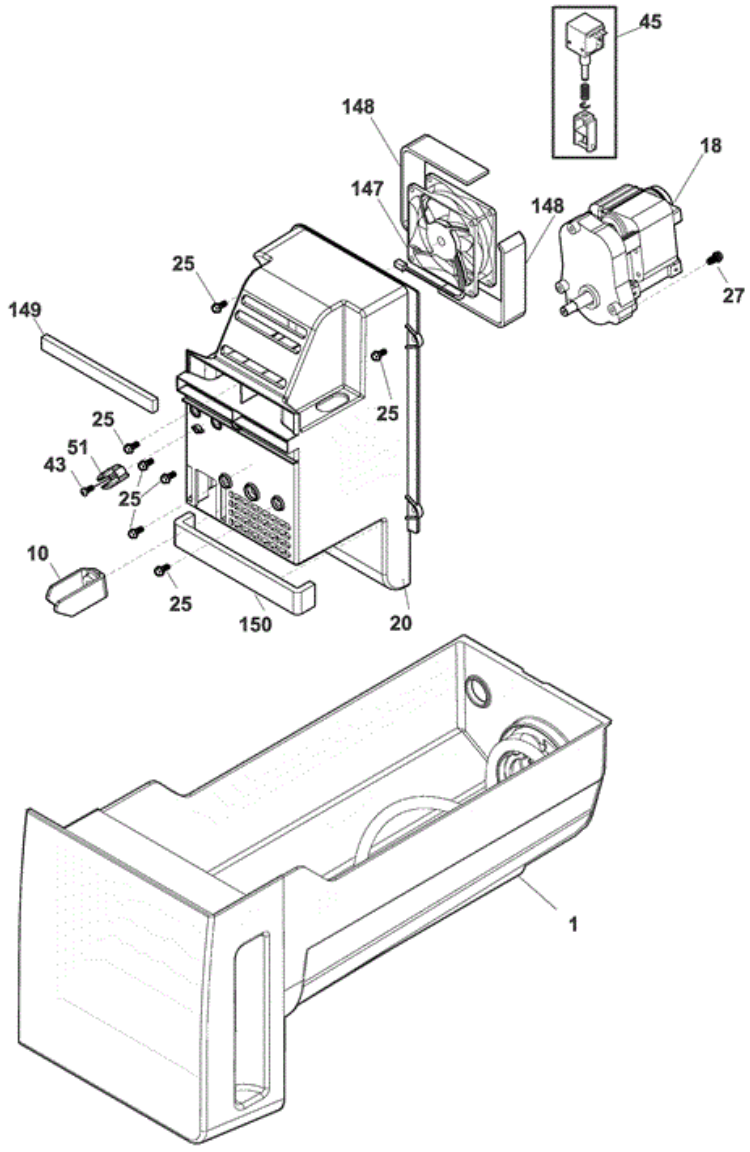




## EW23BC85KS7 CONTROLS

1	218976435	TUBE-WATER INLET,5/16 - 59`` ,YELLOW ,CD
4	241757504	COVER-MODULE,STAINLESS
12	241873301	NAMEPLATE,ELECTROLUX ,STAINLESS
82	241953902	SCREW,NO.8 - 18 X .380 ,3
F38C	242041118	BOARD-CONTROL
F8	242100005	MODULE-DISPENSER,SILVER
FNI	241510904	HARNESS-DISPENSER,GROUNDING
FNI	242040801	HARNESS-WIRING,DISPENSER
FNI	5303918371	DISPENSER HEATER KIT,115
NI	218976425	TUBE-WATER INLET,51.00`` ,BROWN/TAN
NI	218976428	TUBE-WATER,5/16 - 51`` ,NATURAL
NI	241503901	CONNECTOR-WATER,STRAIGHT ,5/16 TO 1/4
NI	241920104	TUBE-WATER,ASSEMBLY ,5/16 - 54``
NI	241964707	TUBE-WATER,1/4 - 36`` ,GREEN
NI	241965906	TUBE-WATER,5/16 - 67`` ,NATURAL
NI	242103001	CONNECTOR-WATER,STRAIGHT ,5/16 TO 5/16
NI	242105401	CHUTE-ICE
NI	242169404	TUBE-WATER,ICE MOLD FILL ,1/4 - 44``

**EW23BC85KS7 ICE CONTAINER**

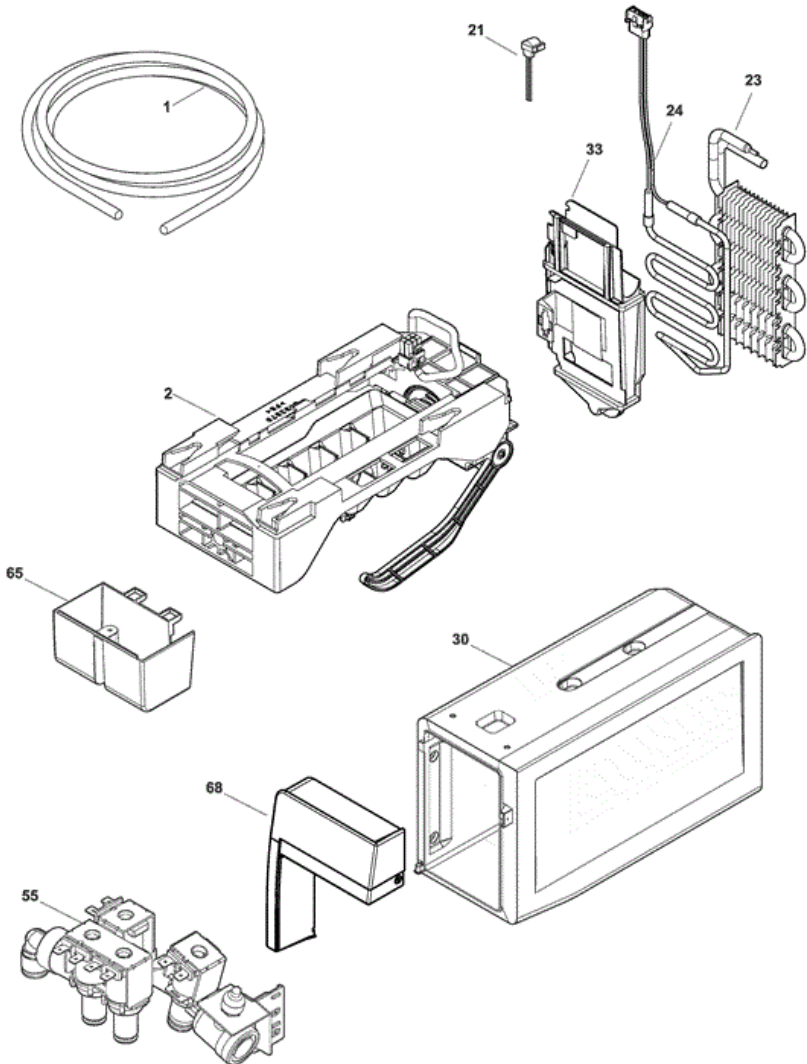




## EW23BC85KS7 ICE CONTAINER

10	241829001	BAR-DRIVE
20	242095702	HOUSING-AIR HANDLER, GEN II IM
25	240555004	SCREW,8-32 X 3/8 ,BLACK
27	240555002	SCREW-NO.8-32 X 3/8
43	241641502	SCREW
51	242095501	PIN-ANTI TWIST BKT GEN II IM
148	242095406	GASKET
149	242095404	GASKET-EVAP HOUSING, .250X.250X5.250
150	242095407	GASKET
F1	242100105	ICE CONTAINER ASSY,W/MOVING PARTS
F147	242119401	FAN ASSEMBLY,MOTOR ,WITH BLADE
F18	241816602	MOTOR-AUGER
F45	241675701	SOLENOID ASSY,115V
FNI	242095804	HARNES-WIRING,AIR HANDLER

**EW23BC85KS7 FRESH FOOD ICE  
MAKER**





## EW23BC85KS7 FRESH FOOD ICE MAKER

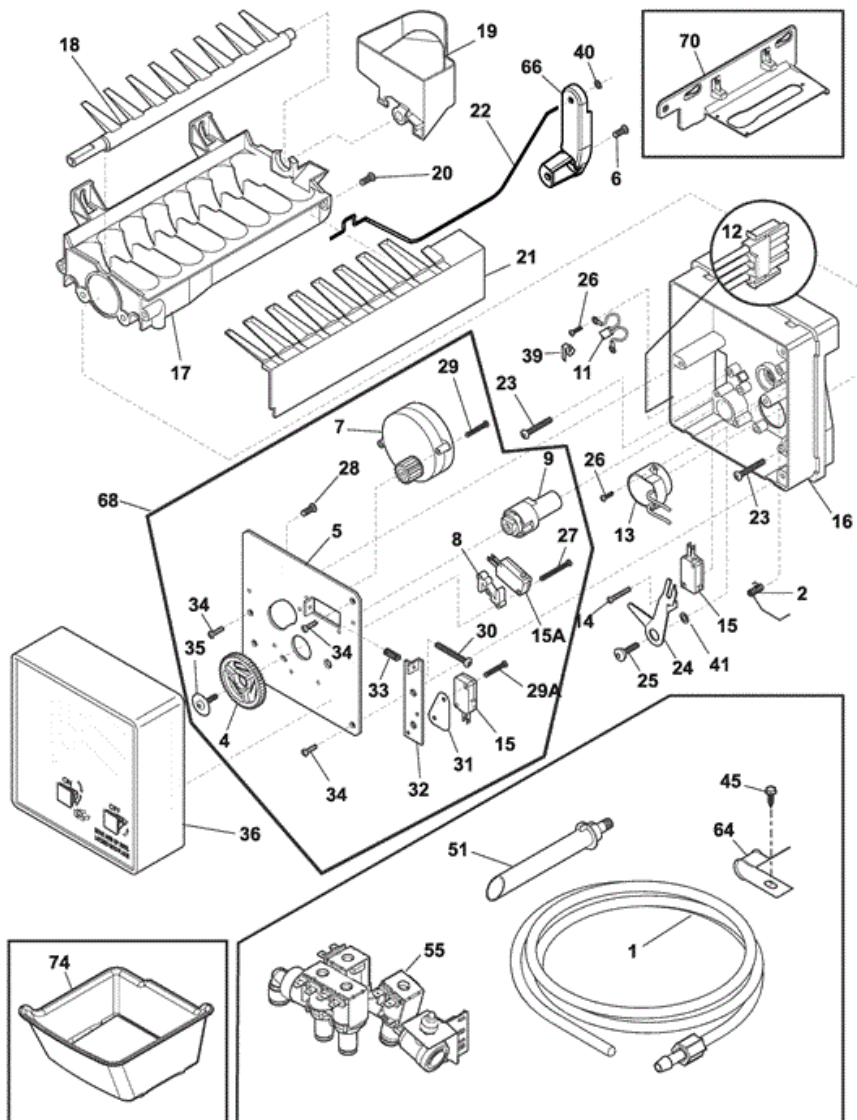
1	218976435	TUBE-WATER INLET,5/16 - 59`` ,YELLOW ,CD
2	243297603	ICE MAKER,COMPLETE ,115 V
21NO.	5303918568	THERMOSTAT-DEFROST,DEFROST,ICEMAKER EVAP
23NO.	242094603	EVAPORATOR,ICE MAKER
24NO.	242094802	HEATER-DEFROST
30	242142202	COVER,ICMKR & BUCKET
33	242094401	HOUSING-EVAPORATOR
65	242145902	COVER-WIRING
68	5304469398	MOUNTING PLATE,ASSY
F55	242253002	VALVE-WATER,QUAD SOLENOID
FNI	241798219	ICE MAKER,RADIUS CUBE ,115 V ,SERVICE
NI	218709101	SCREW,HEX HEAD ,10-32 X 0.500
NI	218976425	TUBE-WATER INLET,51.00`` ,BROWN/TAN
NI	218976428	TUBE-WATER,5/16 - 51`` ,NATURAL
NI	240363602	SCREW-SHOULDER
NI	240396801	CLAMP,TUBE/WIRING ,NYLON ,BLACK/NATURAL
NI	240396802	CLAMP,TUBE/WIRING ,NYLON ,BLACK/NATURAL
NI	241503901	CONNECTOR-WATER,STRAIGHT ,5/16 TO 1/4
NI	241695906	SCREW,10-16AB X 0.50
NI	241844403	TUBE-WATER,ICE MOLD FILL ,BLACK ,EXTENSION
NI	241920104	TUBE-WATER,ASSEMBLY ,5/16 - 54``
NI	241953902	SCREW,NO.8 - 18 X .380 ,3
NI	241964707	TUBE-WATER,1/4 - 36`` ,GREEN
NI	241965906	TUBE-WATER,5/16 - 67`` ,NATURAL
NI	242095402	GASKET-EVAP HOUSING,.,250X.250X3.300
NI	242095403	GASKET-EVAP HOUSING,.,250X.250X7.750
NI	242095405	GASKET-EVAP HOUSING,.,250X.250X6.600
NI	242095408	GASKET-EVAP HOUSING,.,250X1.00X6.600
NI	242096001	INSULATION,I/CONTAINER FRT
NI	242103001	CONNECTOR-WATER,STRAIGHT ,5/16 TO 5/16
NI	242124801	GASKET,.,4X .75X 16.00``
NI	242124802	GASKET,.,9X .75X 10.75``
NI	242146001	GASKET,HOUSING FUNNEL ,2.69X 3.05X .25

Distribuidor Autorizado

SurteRápido.com

Venta de Refacciones  
Electrodomesticas

# EW23BC85KS7 FREEZER ICE MAKER





## EW23BC85KS7 FREEZER ICE MAKER

1	218976435	TUBE-WATER INLET,5/16 - 59`` ,YELLOW ,CD
11NO.	5304455695	THERMAL CUTOFF,ICE MAKER ,COMPLETE ASSY
12NO.	5304469390	HARNESS-WIRING
13NO.	5304469387	THERMOSTAT ASSY,ICE MAKER
15A	5304469405	SWITCH-MICRO
15NO.	5304469388	SWITCH-MICRO,2
2	5304469396	SPRING-SHUTOFF ARM,ICE MAKER
4	5304469403	GEAR
5	5304469399	MOUNTING PLATE
6	3206305	SCREW-GROUND WIRE,8-32 X 0.250
7	5304469407	MOTOR-ICE MAKER
8	5304469404	SPACER-HOLD SWITCH
9	5304469402	CAM
14	5304469394	SCREW,NO.5-24 X 3/4
16	5304469379	HOUSING,CONTROL
17	5304469413	MOLD-ICE MAKER,WITH HEATER
18	5304469384	EJECTOR-ICE
19	242051201	CUP-WATER INLET,W/BEARING
20	5304469391	SCREW,8-32 X 3/8
21	5304469378	ICE STRIPPER
23	5304469392	SCREW,MOLD-TO-SUPPORT ,(2)
24	5304469382	LEVER ARM
25	5304469397	SCREW,LEVER ARM/SPRT
26	5304469393	SCREW
27	5304469410	SCREW,HOLD SWITCH MTG ,(2)
28	5304469414	SCREW,NO.8-32 X 1/4``
29	5304469409	SCREW
29A	5304469412	SCREW,NO.4-24 X 3/4``
30	5304469408	SCREW-TIMING ADJ,8-32 X 1.000
31	5304469389	SPACER-SWITCH
32	5304469400	PLATE-VALVE SWITCH
33	242094401	HOUSING-EVAPORATOR
34	5304469380	SCREW,NO.8-10X1/2



35	5304469411	SCREW
36	5304469385	COVER-ICE MAKER
39	5304469383	CLAMP
40	5304458401	CLIP-RETAINER
41	5304469381	WASHER,FLAT
45	5304453923	SCREW,HEX HD WSHR ,NO.8-32 X 1/2
51	242169404	TUBE-WATER,ICE MOLD FILL ,1/4 - 44``
64	5304453921	CLAMP-CABLE
65	242145902	COVER-WIRING
66	242060701	BRACKET-ICE MAKER,SHUT OFF ARM
68	5304469398	MOUNTING PLATE,ASSY
70	242053001	BRACKET-ICE MAKER
74	242128001	CONTAINER-ICE
F55	242253002	VALVE-WATER,QUAD SOLENOID
NI	218976425	TUBE-WATER INLET,51.00`` ,BROWN/TAN
NI	218976428	TUBE-WATER,5/16 - 51`` ,NATURAL
NI	240363602	SCREW-SHOULDER
NI	240383406	SCREW,TRUSS HD QUAD ,NO.10-16 X .500 ,ZINC
NI	240396801	CLAMP,TUBE/WIRING ,NYLON ,BLACK/NATURAL
NI	241503901	CONNECTOR-WATER,STRAIGHT ,5/16 TO 1/4
NI	241844403	TUBE-WATER,ICE MOLD FILL ,BLACK ,EXTENSION
NI	241920104	TUBE-WATER,ASSEMBLY ,5/16 - 54``
NI	241953902	SCREW,NO.8 - 18 X .380 ,3
NI	241964707	TUBE-WATER,1/4 - 36`` ,GREEN
NI	241965906	TUBE-WATER,5/16 - 67`` ,NATURAL
NI	242103001	CONNECTOR-WATER,STRAIGHT ,5/16 TO 5/16
NI	5304469406	INSULATOR