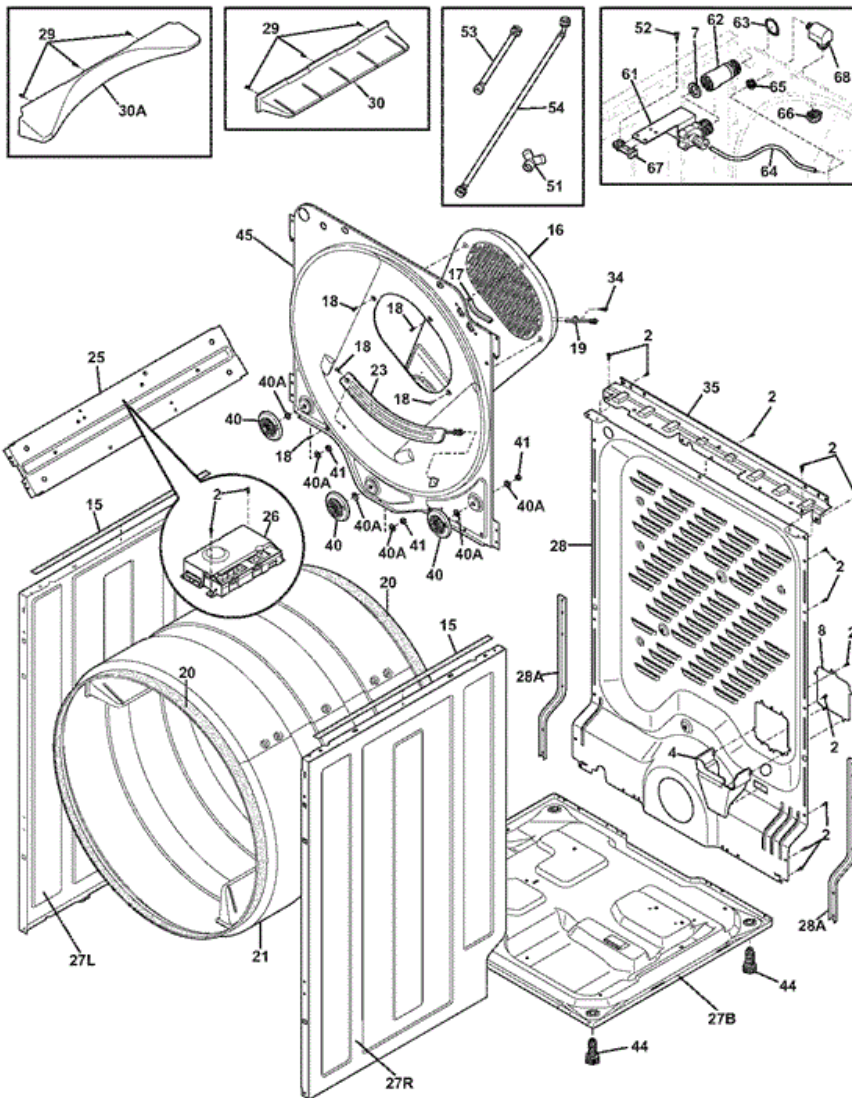


Distribuidor Autorizado

SurteRápido.com

Venta de Refacciones
Electrodomesticas

EWMED65HSS0 GABINETE



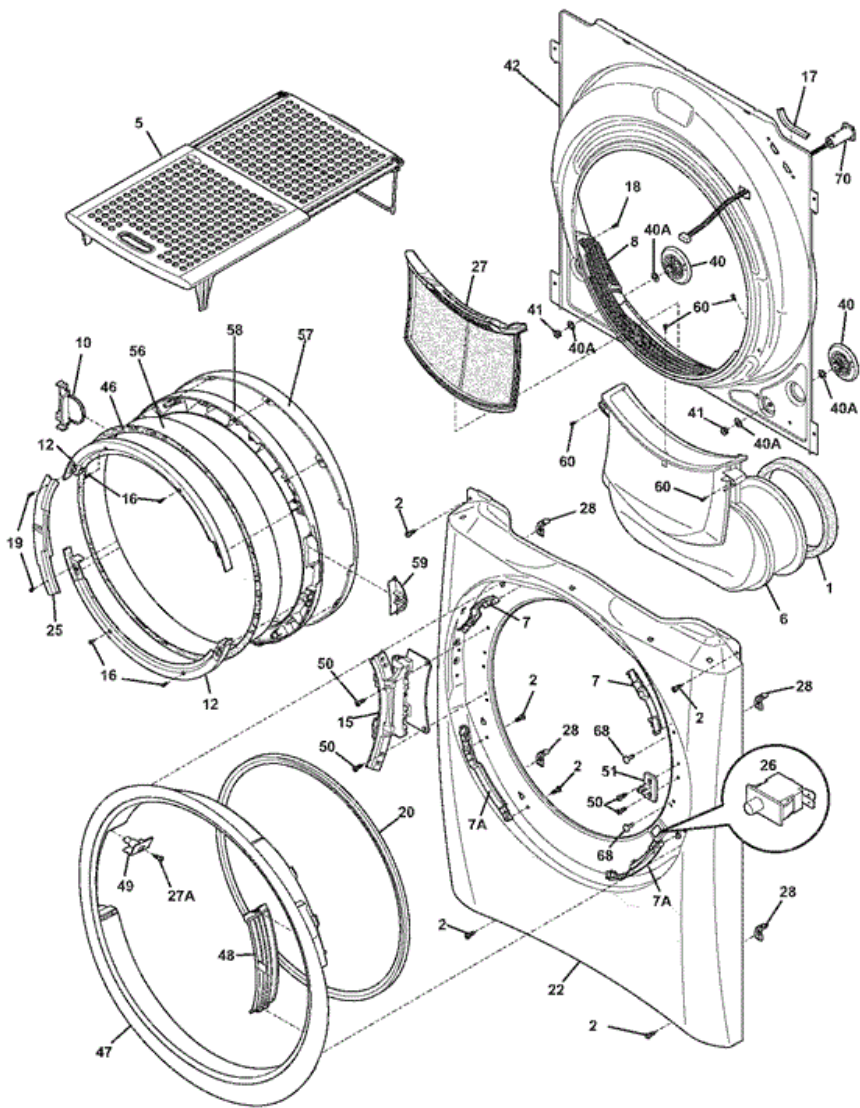


EWMED65HSS0 GABINETE

2	7131168200	SCREW,PAN HEAD ,8-18B X 0.31
4	7134792100	BRACKET,MAIN ,TERMINAL
7	75303161296	WASHER,INLET HOSE
8	7134694400	COVER,TERMINAL BLOCK
15	7137031800	CUSHION,VIBRATION ,TOP PANEL
16	7134694020	DUCT,HEAT ,REAR
17	7134792900	PROTECTOR,EDGE ,RIGHT TOP FRONT
18	7131477000	SCREW,10-16AB X 0.375
19	7134711200	THERMISTOR,INLET
20	7134705900	SEAL,FELT ,DRUM
21	7134708200	DRUM,DRYER
25	7134909700	BRACKET,MOUNTING ,MAIN CONTROL BX
27B	7134690200	BASE,DRYER
27L	7134712625	PANEL,LEFT SIDE ,SILVER
27R	7134712725	PANEL,RIGHT SIDE ,SILVER
28	7134713013	PANEL,BACKSHEET
28A	7137029800	BRACKET,REINFORCEMENT ,BACKSHEET
29	7131205100	SCREW,NO.8 PAN HEAD ,10-10B X 0.500 ,CR/SQ DRIVE
30	7137034300	VANE,DRUM WITH BUMPS
30A	7137030400	VANE,MIXING ,WITH BUMPS
34	7131243700	SCREW,PAN HEAD ,8-18AB X 0.375
35	7134713100	BRACKET,TOP PANEL MTG. ,REAR
40	7134715900	ROLLER,WHEEL ,COMPLETE ASMY
40A	7134716700	WASHER,FLAT
41	7134716800	NUT,3/8-16
44	7134158000	LEVELING LEG,SCREW
45	7134712813	BULKHEAD,PANEL ,REAR
51	7137016700	FITTING,`Y` HOSE ,ADAPTER
52	7131202300	SCREW,10-16AB X 0.625
53	7137016800	HOSE,WATER INLET ,12`
54	7137016900	HOSE,WATER INLET ,48`
62	7134935400	ADAPTER,MIST HOSE
63	7137016500	RING,RETAINING ,HOSE ADAPTER

64	7137016300	TUBE,WATER VALVE TO ,VALVE TO IM
65	7137017200	GROMMET,MISTING TUBE
66	7137017300	NUT,NOZZLE
67	7137017400	CLIP,MOUNTING ,WATER VALVE
68	7137030100	ADAPTER,WATER NOZZLE ,COMPLETE
F23	7134786100	SENSOR-MOISTURE,ASSEMBLY
F26	7137032400	CONTROL BOARD,MAIN ,WITH HOUSING
F61	7137016600	VALVE,WATER ,MISTER
NI	7134700400	KIT,STACKING 38``
NI	7134716200	RETAINER,ROLLER WHEEL ,ASSEMBLY
NI	7134930800	HARNESS,MOISTURE SENSOR
NI	75308027429	ADHESIVE,HIGH TEMP

EWMED65HSS0 PUERTA



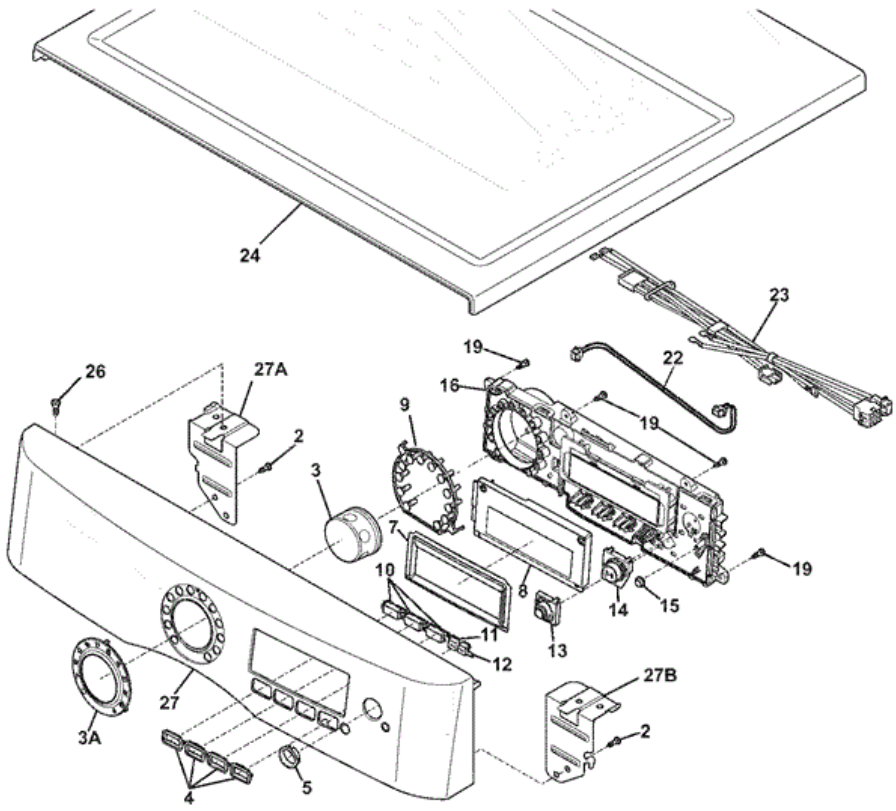


EWMED65HSS0 PUERTA

1	7134784700	SEAL,AIR DUCT
2	7131168200	SCREW,PAN HEAD ,8-18B X 0.31
5	7134912700	RACK,DRYING
6	7134708300	DUCT,AIR
7	7137046800	BRACKET,TRIM RING MTG ,UPPER
8	7134700900	COVER,LINT HOUSING
10	7134933900	ASSEMBLY,INDICATOR ,COMPLETE
12	7134696900	FRAME,INNER DOOR
15	7134704600	HINGE,DRYER DOOR
16	7134788000	SCREW,NO.8 X1.18 ,PAN HD
17	7134792900	PROTECTOR,EDGE ,RIGHT TOP FRONT
18	7131477000	SCREW,10-16AB X 0.375
19	7134790400	SCREW,NO.10X1.25 ,OVAL HEAD
20	7137066300	GASKET,FRONT PANEL
22	7134696325	PANEL,FRONT ,SILVER SANDS
25	7134703700	LATCH,PUSH - PUSH ,DOOR
27	7134793600	FILTER, LINT ,COMPLETE
27A	7134790600	SCREW,NO.10-24 X 1.0` ,PAN HD
28	7137034500	CLIP,MOUNTING ,CABINET FRONT
40	7134715900	ROLLER,WHEEL ,COMPLETE ASMY
40A	7134716700	WASHER,FLAT
41	7134716800	NUT,3/8-16
42	7134695905	BULKHEAD,PANEL ,FRONT
46	7134934900	GASKET,DOOR GLASS
47	7134618800	TRIM,FRONT PANEL
48	7134618900	COVER,TRIM RING
49	7134651200	RETAINER,TRIM RING
50	7131303300	SCREW,PAN HEAD ,10-16AB X 0.500 ,LOCKING
51	7134704300	STRIKER,FRONT PANEL
56	7134701900	GLASS,DOOR
57	7134932900	LENS,DECORATED DOOR
58	7134697200	PANEL,OUTER DOOR
59	7134931500	COVER,INDICATOR HOLE

60	7134430300	SCREW,INDT PAN HEAD ,10-14 X 0.625 ,QUADREX
68	7134742002	PLUG,HINGE HOLE ,GREY
70	7134695000	LAMP,DRUM ,COMPLETE
7A	7137046700	BRACKET,TRIM RING ,MOUNTING
F26	7131843160	SWITCH,DOOR ,GRAY
NI	7134601900	SCREW,FLAT HEAD ,M5 X .8 X 17.5
NI	7134716200	RETAINER,ROLLER WHEEL ,ASSEMBLY
NI	7134793200	HARNESS,DOOR SWITCH
NI	75308027429	ADHESIVE,HIGH TEMP

EWMED65HSS0 TABLERO

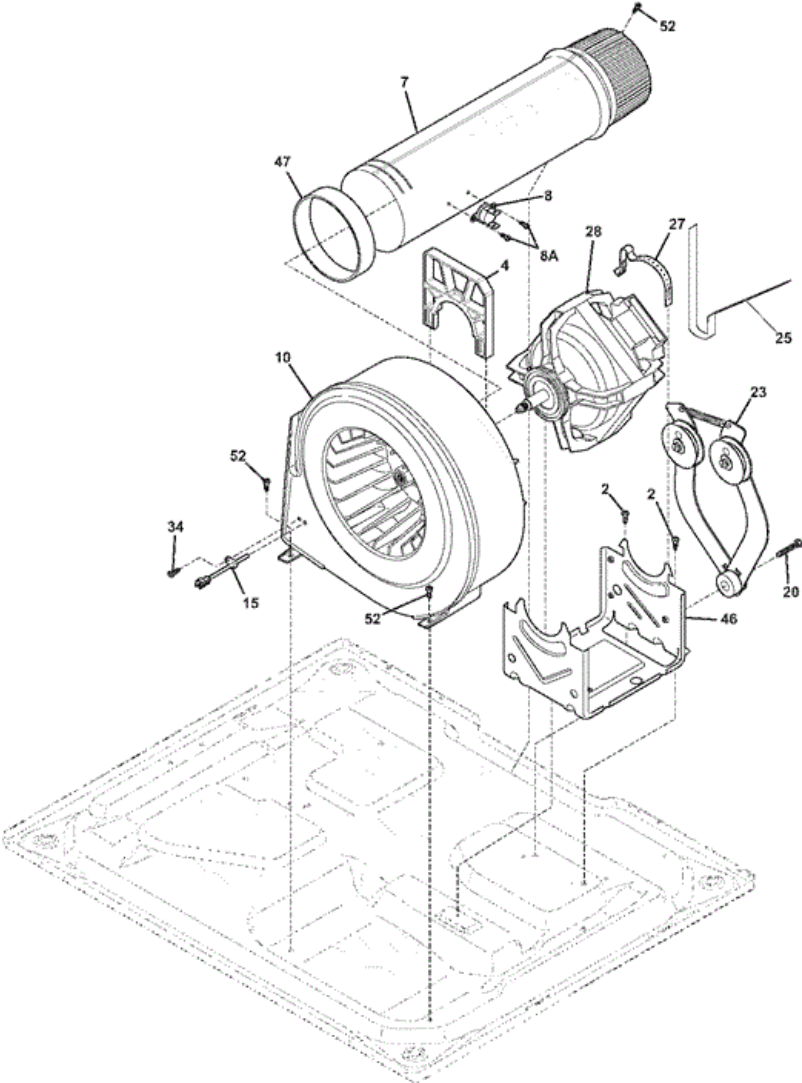




EWMED65HSS0 TABLERO

2	7131168200	SCREW,PAN HEAD ,8-18B X 0.31
3	7134766500	KNOB,RETRACTING ,COMPLETE ASMY
4	7134871900	PIPE,RING ,MAIN BUTTON
5	7134767800	PIPE,START BUTTON
7	7137007800	TRIM,RING ,LCD DISPLAY
8	7134767600	LENS,LCD DISPLAY
9	7134768400	PIPE,KNOB LIGHT
10	7137007900	CAP,MAIN BUTTON
11	7137043100	BUTTON,UP
12	7137010900	BUTTON,DOWN
13	7137021200	BUTTON,SET
14	7137009900	BUTTON,START/PAUSE
15	7137008100	BUTTON,OFF
19	7134402900	SCREW,PHILLIPS ,6-19 X 0.650
23	7137030000	HARNESS,MAIN WIRE
24	7134638525	PANEL,WORK TOP ,SILVER
26	7131205100	SCREW,NO.8 PAN HEAD ,10-10B X 0.500 ,CR/SQ DRIVE
27	7137034925	PANEL,CONTROL ,SILVER
27A	7134710900	BRACKET,CONTROL PANEL ,LEFT HAND ,MOUNTING
27B	7134711000	BRACKET,CONTROL PANEL ,RIGHT HAND ,MOUNTING
3A	7137063600	DRYER KNOB RING,FUNCTION ,WHITE
F16	7134994610	CONTROL BOARD,USER INTERFACE ,WITH HOUSING
F22	7134790700	HARNESS,USER INTERFACE
FNI	7137150200	TERMINAL,BLOCK KIT ,MAIN
NI	7134926600	DAMPER,SOUND

EWMED65HSS0 MOTOR

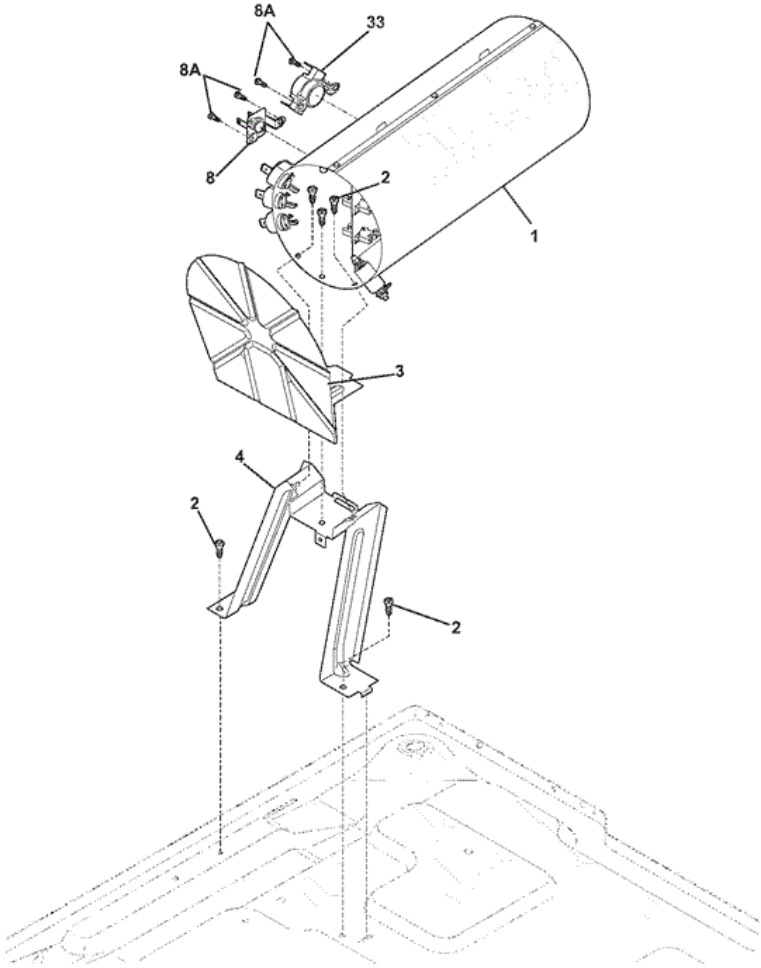




EWMED65HSS0 MOTOR

2	7131168200	SCREW,PAN HEAD ,8-18B X 0.31
4	7134707900	LOCK,BLOWER HOUSING
7	7134693900	TUBE,EXHAUST ,REAR
8	7134711400	LIMITER,THERMAL ,EXHAUST ,FLUSH MOUNT
10	7134690800	BLOWER,HOUSING ,COMPLETE
15	7134711300	THERMISTER,EXHAUST
20	7131017900	SCREW,HEX HEAD ,1/4-20T X 1.25
23	7134784400	IDLER ARM ASSY,REVERSING ,WITH PULLEY
27	7134242400	CLAMP,MOTOR MTG.
34	7131243700	SCREW,PAN HEAD ,8-18AB X 0.375
46	7134707400	BRACKET,MOTOR CRADLE
47	7131633300	SEAL,EXHAUST TUBE
52	7137034600	SCREW,NO.10-16X0.375
8A	7134935200	SCREW,NO.8-32 X .25 ,W/NO.6 QUADREXPAN
F25	7134719300	BELT,``H`` ,POLY V ,5 RIB
F28	7137116000	MOTOR,REVERSING ,WITH PULLEY
NI	7131089700	SPRING-IDLER
NI	7137030800	NUT,WHEEL LOCK ,1/4-20 ,BLOWER

EWMED65HSS0 RESISTENCIA





EWMED65HSS0 RESISTENCIA

2	7131168200	SCREW,PAN HEAD ,8-18B X 0.31
3	7134692700	SHIELD,RADIANT ,ELECTRIC
4	7134713900	BRACKET,HEATER/BURNER ,MOUNTING
8	7137032600	LIMITER,THERMAL ,HEATER
8A	7134935200	SCREW,NO.8-32 X .25 ,W/NO.6 QUADREXPAN
F1	7134792700	HEATER,3 ELEMENT ,5500W
F33	73204267	THERMOSTAT,SAFETY