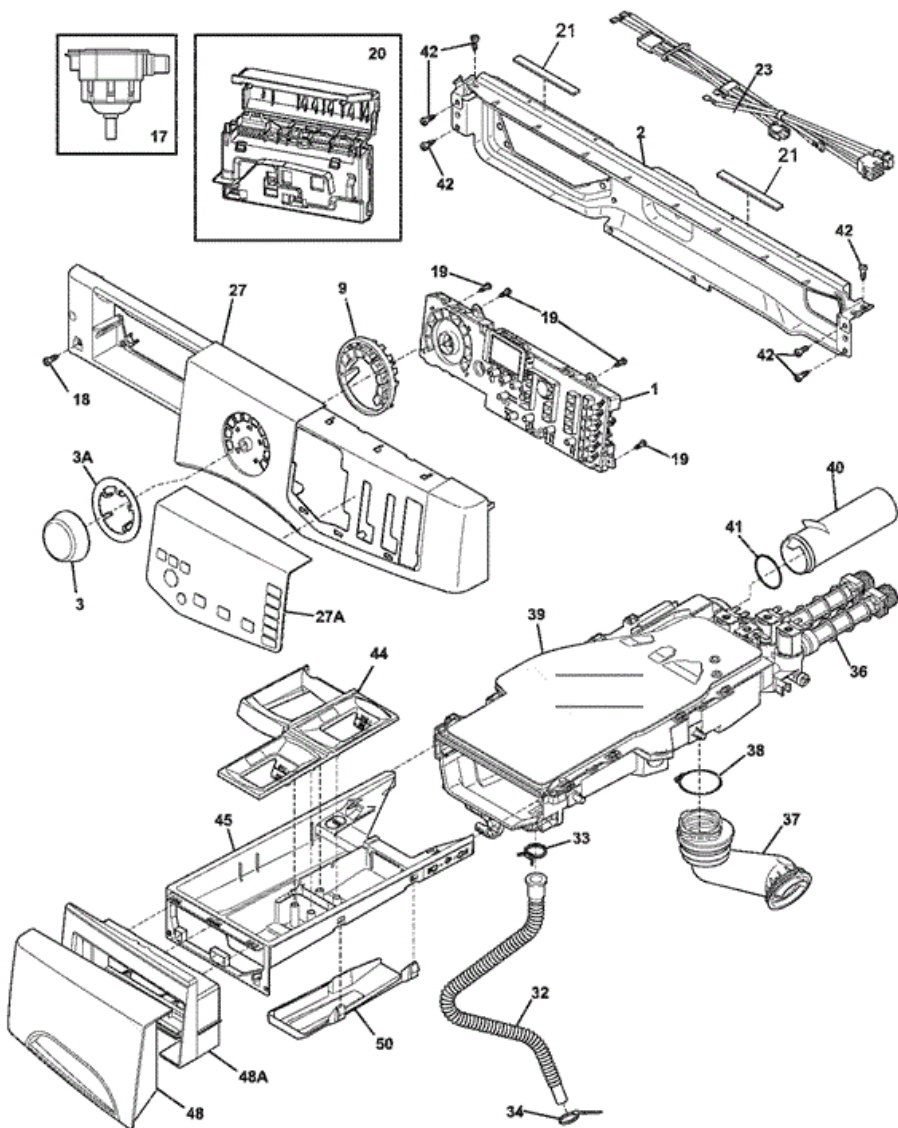


Distribuidor Autorizado

SurteRápido.com

Venta de Refacciones
Electrodomesticas

FAFS4073NR0 TABLERO





FAFS4073NR0 TABLERO

2	134887400	BRACKET,CONTROL PANEL ,MOUNTING
3	137286500	KNOB,CONTROL
9	137286600	PIPE,CYCLE LIGHT
18	131302800	SCREW,QUADREX PH ,10-16AB X 0.5
19	134402900	SCREW,PHILLIPS ,6-19 X 0.650
21	134407900	DAMPENER,VIBRATION
27	137501840	PANEL-CONTROL CONSOLE,WHITE
27A	137501740	PANEL, DISPLAY,DECORATED
32	134586500	HOSE,DISP-TO-BELLOWS
33	131306216	CLAMP
34	5303321209	CABLE TIE,5.60 INCH
37	134372300	HOSE,DISP-TO-TUB
38	134372400	CLAMP,TUB HOSE
39	134446130	HOUSING,DISPENSER ,VALVE,COVER
3A	137296900	LENS,CYCLE INDICATOR
40	134372100	TUBE,DISP-TO-OVERFLO
41	134372200	O-RING,OVERFLOW TUBE
42	131168200	SCREW,PAN HEAD ,8-18B X 0.31
44	134370200	COVER,DISPENSER
45	134370000	DRAWER,DISPENSER
48	137516640	HANDLE/DRAWER ASSY,RED
48A	137286005	FRAME,DISPENSER ,DRAWER
50	134370100	CONVEYOR,DISPENSER ,LOWER
F1	137260860	CONTROL BOARD,PRINTED CIRCUIT ,WITH HOUSING
F17	134762010	SWITCH,PRESSURE
F20	134957912	CONTROL BOARD,PC ,WITH HOUSING
F23	137503600	HARNESS, WIRING MAIN
F36	134959330	VALVE,DISPENSER ,NON NTC
NI	134178901	SCREW,8-18AB X 0.455
NI	134371300	GASKET,DISP-TO-VALVE



FAFS4073NR0 GABINETE

1	137472301	HOSE,WATER INLET ,4 FT. ,HOSE & WASHER
2	131168200	SCREW,PAN HEAD ,8-18B X 0.31
4	134618211	CONTROL BOARD,MOTOR
5	134649700	COVER,MOTOR CONTROL ,HOUSING
9	131303300	SCREW,PAN HEAD ,10-16AB X 0.500 ,LOCKING
11	134950800	PANEL,DOOR GLASS
12	137280302	FRAME,INNER DOOR ,GRAY
13	131302901	SCREW,10-16 X 0.750
14	134456602	STRIKER,DOOR/LOCK ,GRAY
15	134550800	HINGE,DOOR ,WITH BUSHINGS
16	131205300	SCREW,10-16 X 0.750
17	134638700	CLIP,ASSEMBLY
22	134648500	BRACKET-SPRING,RETAINER
23	134958040	PANEL,LEFT/RIGHT SIDE ,RED
24	134638540	PANEL,WORK TOP ,RED
25	134646000	BASE
27	134550900	BRACKET,HINGE ,REINFORCEMENT
28	134646200	PANEL,SERVICE ,BACK
28A	134876500	CLIP,HOSE,DRAIN ,REAR-PANEL
29	137021841	PANEL,FRONT ,RED
32	5303209428	BUSHING,STRAIN RELIEF
35	134713100	BRACKET,TOP PANEL MTG. ,REAR
36	134639100	LEVELING LEG,SCREW
37	134617600	BUSHING,LEVELING LEG
38	134639200	NUT,LEVELING LEG ,BUSHING
42	134601900	SCREW,FLAT HEAD ,M5 X .8 X 17.5
48	137265525	PANEL,OUTER DOOR ,TITANIUM
50	134645600	BRACKET,TUB SUSPENSION
51	134655800	PROTECTOR,TUB SUSPENSION ,SPRING HOOK ,(2)
52	131931202	DAMPENER,VIBRATION ,FOAM
53	137266700	RING,DOOR TRANSITION
56	137266620	GLASS,OUTER DOOR LENS
60	134372000	GROMMET,DISPENSER ,BACK PANEL

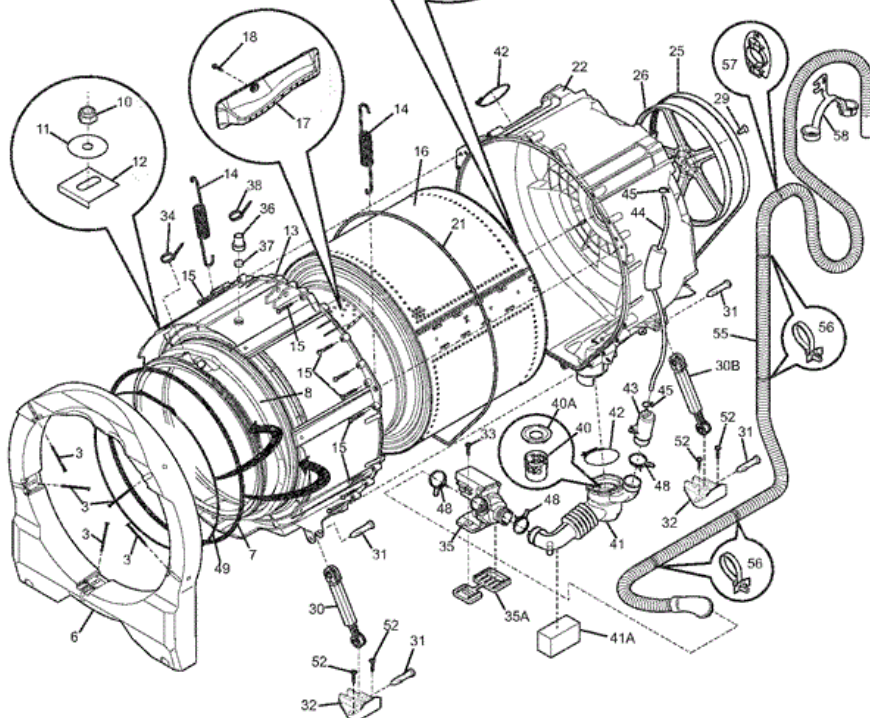
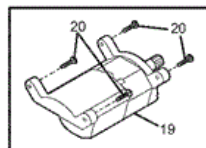
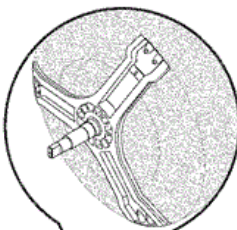
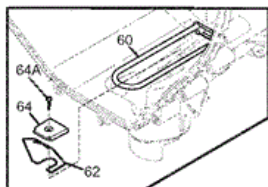
8A	137279900	VENT,DOOR ,COMPLETE ASSY
F31	137011400	POWER CORD,ELECTRIC SVCE ,120 16A
F8	131763255	DOOR LOCK/SWITCH ASSY
NI	134591500	PLUG ASSY,SHIPPING HOLES ,BACK
NI	134629400	SCREW,MC5X8.5 TORX ,CABINET MTG
NI	134649400	FASTENER,HOSE CLIP ,EXTERNAL
NI	134926600	DAMPER,SOUND
NI	137021600	BRACKET,MOUNTING ,LEFT ,FRONT PANEL
NI	137021610	BRACKET,MOUNTING ,RIGHT ,FRONT PANEL
NI	137288600	WIRING HARNESS,DOOR SWITCH

Distribuidor Autorizado

SurteRápido.com

Venta de Refacciones
Electrodomesticas

FAFS4073NR0 TINAS





FAFS4073NR0 TINAS

3	131793303	BOLT,CARRIAGE ,1/4-20 X 2.60
6	134362210	COUNTERWEIGHT,ONE PIECE
7	134365300	SPRING,BELLOWS CLAMP ,RETAINER
10	137086500	NUT,HEX ,1/4-20 UNC-2B
11	131276900	WASHER,BELLVILLE ,SPRING STEEL
12	134430600	PLATE,COUNTERWEIGHT
13	134955100	SHELL,TUB ,FRONT
15	131303900	SCREW,HEX WASHER HEAD ,1/4-10A X 2.165
16	134950400	DRUM ASSY,SPIN BASKET
17	134952702	VANE
18	131302800	SCREW,QUADREX PH ,10-16AB X 0.5
20	131303500	SCREW,12-14AB X 1.50 ,MOTOR MTG.
21	134361900	O-RING,TUB
22	134956200	SHELL,OUTER TUB ,REAR ,WITH BEARING
29	134408400	SCREW,10.9 CLASS ,M10 X 25 MM
30	137040900	SHOCK ABSORBER,(HP) AND CLIPS ,FRONT
30B	137041000	SHOCK ABSORBER,(SS) AND CLIPS ,BACK
31	131268300	PIN,SHOCK MTG.
32	134363200	BRACKET,SHOCK MTG.
33	134637200	SCREW,NO.10-16X1.125 ,HEXWASHER HEAD
34	5303321209	CABLE TIE,5.60 INCH
35	137240800	PUMP,DRAIN
35A	134618100	PAD,VIBRATION ,PUMP MOTOR
36	137322400	HOSE,VENT
37	137322500	SCREEN,VENT
40	134640200	FILTER,PUMP
40A	134640300	COVER,FILTER
41	134639920	HOSE,COIN TRAP ,TUB-TO-PUMP
41A	137340800	DAMPER,VIBRATION ,FOAM
42	134737300	CLAMP,HOSE
43	134636800	CHAMBER,AIR
44	134369900	HOSE,AIR PRESSURE
45	137087500	CLAMP,HOSE

48	131306234	CLAMP,HOSE ,WIRE
49	134527100	CLAMP,BELLOWS ,SPRING HELD
52	131202300	SCREW,10-16AB X 0.625
56	137003500	CABLE TIE,PUSH MOUNT
57	134641100	BRACKET,DRAIN HOSE MTG ,REAR
58	137166600	HANGER,DRAIN HOSE
60	134552301	ELEMENT ASSEMBLY,HEATING (1000W)
62	134642300	SUPPORT,HEATING ELEMENT
64	134644600	SUPPORT,HEATING ELEMENT
64A	134638100	SCREW,NO.8-18 X .50 ,TRUSS HEAD
F14	134957000	SPRING ASMY,SUSPENSION
F19	134638900	MOTOR,INDUCTION ,CONTROLED
F25	134616700	BELT,DRIVE ,POLY-V
F26	137317100	PULLEY,DRUM DRIVE ,REAR ,LARGE
F55	134963200	HOSE,DRAIN-ONE PIECE
F8	134740900	BELLOWS,BOOT ,NO LIGHT HOLE
FNI	137290700	WIRING HARNESS,MOTOR
NI	137110800	CUSHION,SHOCK BRACKET ,LEFT REAR
NI	137501900	ENERGY GUIDE