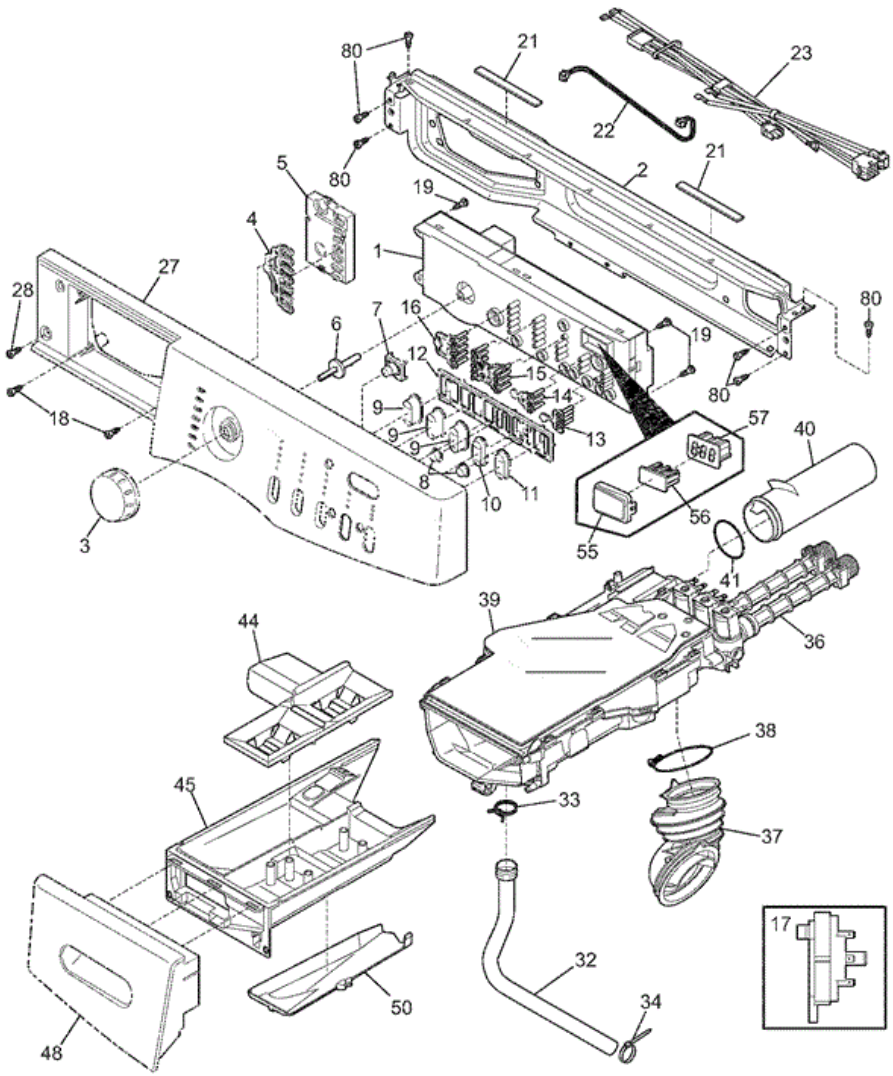


FAFW3511KW0 TABLERO





FAFW3511KW0 TABLERO

2	134364800	BRACKET, TOP FRONT
3	134551225	KNOB, PROGRAM , CHROME
4	134553100	LIGHT PIPE, PROGRAM
6	134347700	PIN, PROGRAM KNOB
7	134891500	PUSH BUTTON, ROUND , NO.2
8	134555525	PUSH BUTTON, ROUND , NO.1
9	134553425	PUSH BUTTON, OVAL , NO.1
10	134555440	PUSH BUTTON, OVAL , NO.2 (SOIL)
11	134864400	PUSH BUTTON, OVAL , START
12	134884900	SPRING, PUSH BUTTON
13	134557500	LIGHT PIPE, START GROUP
14	134557400	LIGHT PIPE, ROW OF 3
15	134552800	LIGHT PIPE, 5 X 4
16	134600000	LIGHT PIPE, ROW OF 5
18	131302800	SCREW, 10-16AB X 0.375
19	134402900	SCREW, PHILLIPS , 6-19 X 0.650
21	134407900	DAMPENER, VIBRATION
27	137166700	PANEL, CONTROL CONSOLE , WHITE
28	131205300	SCREW, 10-16 X 0.750
32	134586500	HOSE, DISP-TO-BELLOWS
33	131306216	CLAMP
34	5303321209	CABLE TIE, 5.60 INCH
37	134372300	HOSE, DISP-TO-TUB
38	134372400	CLAMP, TUB HOSE
39	134446120	HOUSING, DISPENSER , W/VALVE, COVER
40	134372100	TUBE, DISP-TO-OVERFLO
41	134372200	O-RING, OVERFLOW TUBE
44	134370200	COVER, DISPENSER
45	134370000	DRAWER, DISPENSER
48	137168010	HANDLE/DRAWER ASSY, WHITE
50	134370100	CONVEYOR, DISPENSER , LOWER
55	134553200	LENS, DIGITAL DISPLAY
56	134557300	LIGHT PIPE, DIGITAL DISPLAY

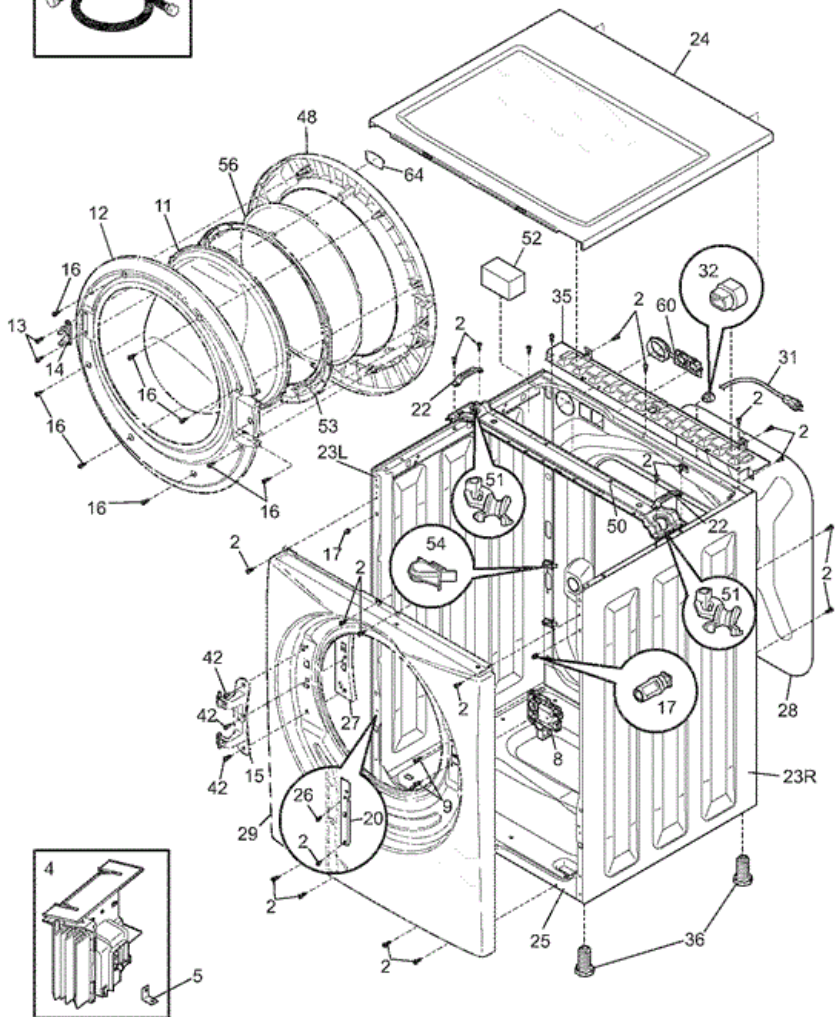
80	134547800	SCREW,10-16AB X 0.375
F1	137006060	CONTROL BOARD,PC ,WITH HOUSING
F17	134762000	SWITCH,PRESSURE
F22	134602100	WIRING HARNESS,INTERFACE BOARD
F23	134436600	WIRING HARNESS,CONTROLS
F36	134371220	VALVE,DISPENSER ,NTC/SHORT TUBE
F5	134556500	INTERFACE BOARD,PC ,AUXILIARY
F57	134503300	DISPLAY,DIGITAL
FNI	134743400	WIRING HARNESS,MAIN
NI	131311900	SCREW,QUADREX PH ,8-18AB X 0.500
NI	134178901	SCREW,8-18AB X 0.455
NI	134371300	GASKET,DISP-TO-VALVE
NI	134555800	PAD,DRAWER HANDLE ,SOFT TOUCH

Distribuidor Autorizado

SurteRápido.com

Venta de Refacciones
Electrodomesticas

FAFW3511KW0 GABINETE





FAFW3511KW0 GABINETE

1	131454100	HOSE,WATER INLET ,4 FT. ,HOSE & WASHER
2	131168200	SCREW,PAN HEAD ,8-18B X 0.31
5	134522900	BRACKET,ANGLE ,MOTOR CONTROL
9	131303300	SCREW,PAN HEAD ,10-16AB X 0.500 ,LOCKING
11	134366400	PANEL,DOOR GLASS
12	134550700	FRAME,INNER DOOR ,WHITE
13	131302901	SCREW,10-16 X 0.750
14	134456600	STRIKER,DOOR/LOCK ,WHITE
15	134550800	HINGE,DOOR ,WITH BUSHINGS
16	131205300	SCREW,10-16 X 0.750
17	134638700	CLIP,ASSEMBLY
20	134434901	BRACKET,LS PANEL ,REINFORCEMENT
22	134648500	BRACKET-SPRING,RETAINER
23L	134775310	PANEL,LEFT SIDE ,WHITE
23R	134775210	PANEL,RIGHT SIDE ,WHITE
24	134365010	PANEL,WORK TOP ,WHITE
25	134775500	BASE,WASHER
26	134521600	SCREW,HEX WASHER HEAD ,M5 0.8 X 15
27	134550900	BRACKET,HINGE ,REINFORCEMENT
28	134364300	PANEL,SERVICE ACCESS ,REAR
29	137021811	PANEL,FRONT ,WHITE
32	5303209428	BUSHING,POWER CORD
35	134365100	BRACKET,TOP SUPPORT ,REAR
36	134548800	LEVELING LEG,SCREW ,PLASTIC
42	134601900	SCREW,FLAT HEAD ,M5 X .8 X 17.5
48	134601500	PANEL,OUTER DOOR ,WHITE
50	134645600	BRACKET,TUB SUSPENSION
51	134655800	PROTECTOR,TUB SUSPENSION ,SPRING HOOK ,(2)
52	131931202	DAMPENER,VIBRATION ,FOAM
53	134551300	RING,DOOR TRANSITION
54	134364900	FASTENER,WIRE HARN CLIP
56	134550600	GLASS,OUTER DOOR LENS
60	134372000	GROMMET,DISPENSER ,BACK PANEL

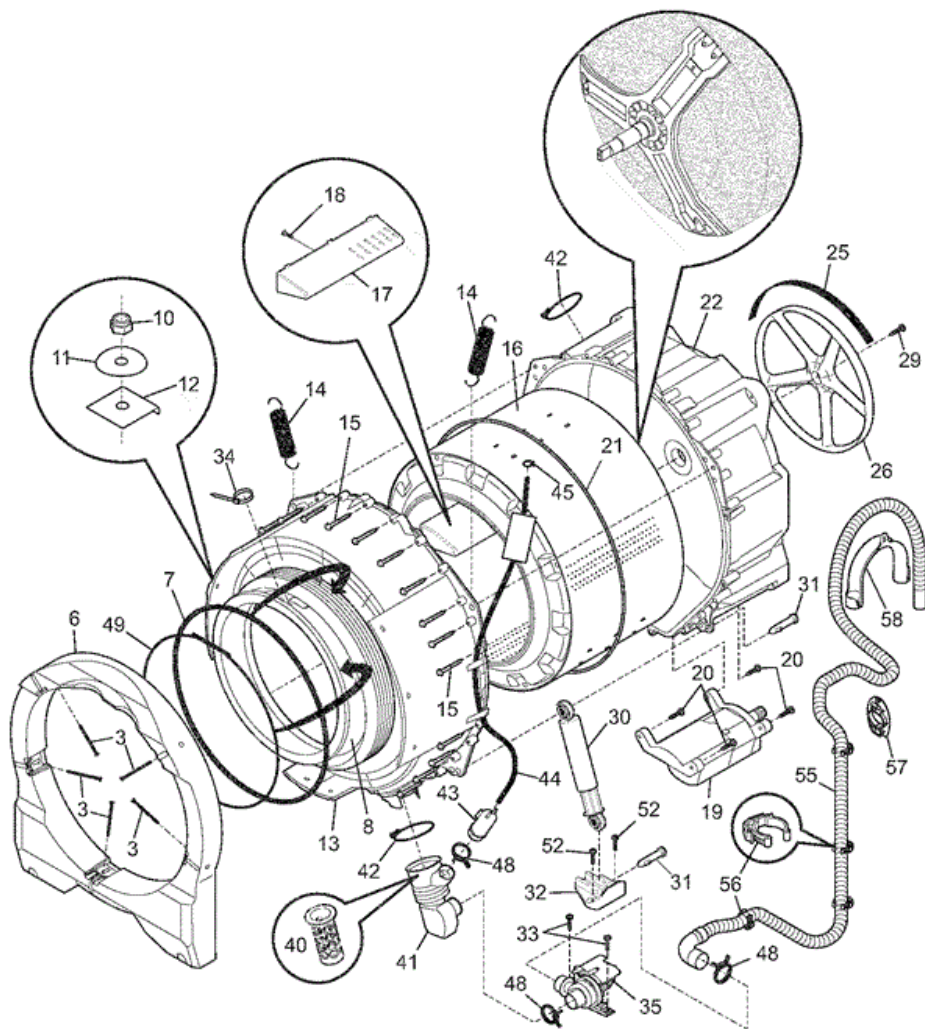
64	137166825	NAMEPLATE,AFFINITY
F31	134501000	POWER CORD,ELECTRIC SVCE
F4	134409904	CONTROL BOARD,MOTOR
F8	131763202	DOOR LOCK/SWITCH ASSY
FNI	134547600	WIRING HARNESS,MOTOR CONTROL
FNI	134606800	WIRING HARNESS,DOOR SWITCH
NI	134178901	SCREW,8-18AB X 0.455
NI	134434900	BRACKET,RS PANEL ,REINFORCEMENT
NI	134554500	PAD,OUTER DOOR
NI	134591500	PLUG ASSY,SHIPPING HOLES ,BACK
NI	134629400	SCREW,MC5X8.5 TORX ,CABINET MTG
NI	134876500	CLIP,HOSE,DRAIN ,REAR-PANEL
NI	134889700	CLIP, HOSE,DRAIN ,REAR-PANEL
NI	137021600	BRACKET,MOUNTING ,LEFT ,FRONT PANEL
NI	137021610	BRACKET,MOUNTING ,RIGHT ,FRONT PANEL

Distribuidor Autorizado

SurteRápido.com

Venta de Refacciones
Electrodomesticas

FAFW3511KW0 TINAS / MOTOR





FAFW3511KW0 TINAS / MOTOR

3	131793303	BOLT,CARRIAGE ,1/4-20 X 2.60
6	134362200	COUNTERWEIGHT,FRONT ,ONE PIECE
7	134365300	SPRING,BELLOWS CLAMP ,RETAINER
10	131304700	NUT,HEX ,1/4-20 UNC-2B ,(2)
11	131276900	WASHER,BELLVILLE ,SPRING STEEL
12	134430600	PLATE,COUNTERWEIGHT
13	134362000	SHELL,TUB ,FRONT
15	131303900	SCREW,HEX WASHER HEAD ,1/4-10A X 2.165
16	137105900	DRUM ASSY,SPIN BASKET
17	134361602	VANE KIT,DRUM
18	131302800	SCREW,10-16AB X 0.375
20	131303500	SCREW,12-14AB X 1.50 ,MOTOR MTG.
21	134361900	O-RING,TUB
22	134509510	SHELL,OUTER TUB ,REAR ,W/BEARING,SEAL
29	134408400	SCREW,10.9 CLASS ,M10 X 25 MM
30	134560410	SHOCK ABSORBER,ASSEMBLY
31	131268300	PIN,SHOCK MTG.
32	134363200	BRACKET,SHOCK MTG.
33	134160900	SCREW,WASHER HD ,10-16AB X 0.75
34	5303321209	CABLE TIE,5.60 INCH
35	137108100	PUMP,DRAIN
40	134885800	FILTER,PUMP
41	134455900	HOSE,COIN TRAP ,TUB-TO-PUMP
42	134737300	CLAMP,HOSE
43	134369000	CHAMBER,AIR
44	134369900	HOSE,AIR PRESSURE
45	131306202	CLAMP,HOSE
48	131306234	CLAMP,HOSE ,WIRE
49	134527100	CLAMP,BELLOWS ,SPRING HELD
52	131202300	SCREW,10-16AB X 0.625
56	134994200	FASTENER,HOSE CLIP ,(3)
57	134641100	BRACKET,DRAIN HOSE MTG ,REAR
58	134440700	HANGER,DRAIN HOSE

F14	137099300	SPRING ASSY,SUSPENSION
F19	134362500	MOTOR,120 V
F25	134051003	BELT,DRIVE ,6-RIB
F26	134362600	PULLEY,DRUM DRIVE ,LARGE ,REAR
F55	134889600	HOSE,DRAIN-ONE PIECE
F8	134740900	BELLOWS,BOOT ,NO LIGHT HOLE
NI	137166900	ENERGY GUIDE