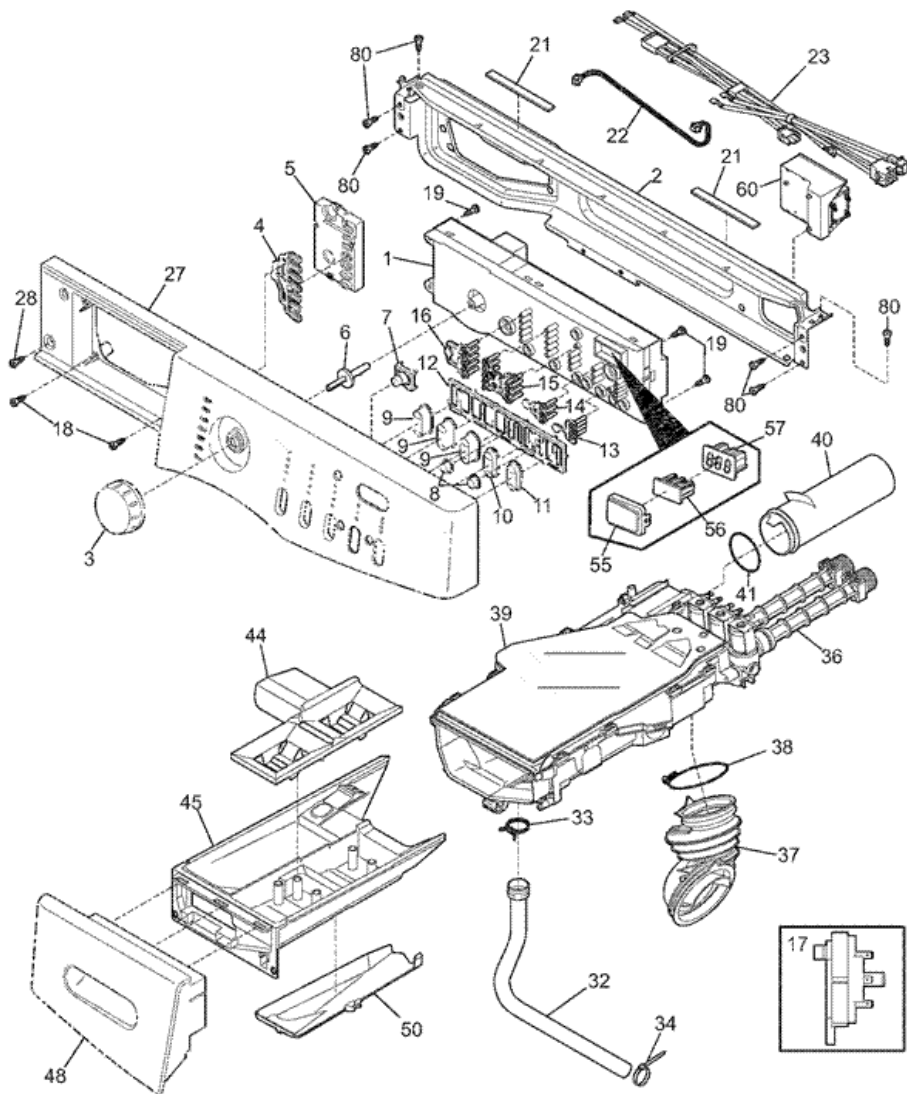


Distribuidor Autorizado

SurteRápido.com

Venta de Refacciones
Electrodomesticas

FAFW3577KW1 TABLERO





FAFW3577KW1 TABLERO

2	134364800	BRACKET, TOP FRONT (S/P)
3	134551225	KNOB, PROGRAM, CHROME (S/P)
4	134553100	LIGHT PIPE, PROGRAM (S/P)
6	134347700	PIN, PROGRAM KNOB (S/P)
7	134891500	PUSH BUTTON, ROUND, NO.2 (S/P)
8	134555525	PUSH BUTTON, ROUND, NO.1 (S/P)
9	134553425	PUSH BUTTON, OVAL, NO.1 (S/P)
10	134555440	PUSH BUTTON, OVAL, NO.2 (SOIL) (S/P)
11	134864400	PUSH BUTTON, OVAL, START (S/P)
12	134884900	SPRING, PUSH BUTTON (S/P)
13	134557500	LIGHT PIPE, START GROUP (S/P)
14	134557400	LIGHT PIPE, ROW OF 3 (S/P)
15	134552800	LIGHT PIPE, 5 X 4 (S/P)
16	134600000	LIGHT PIPE, ROW OF 5 (S/P)
18	131302800	SCREW, 10-16AB X 0.375 (S/P)
19	134402900	SCREW, PHILLIPS, 6-19 X 0.650 (S/P)
21	134407900	DAMPENER, VIBRATION (S/P)
27	137167210	PANEL, CONTROL CONSOLE, WHITE (S/P)
28	131205300	SCREW, 10-16 X 0.750 (S/P)
32	134586500	HOSE, DISP-TO-BELLOWS (S/P)
33	137087504	CLAMP (S/P)
34	5303321209	CABLE TIE, 5.60 INCH (S/P)
37	134372300	HOSE, DISP-TO-TUB (S/P)
38	134372400	CLAMP, TUB HOSE (S/P)
39	134409320	HOUSING, DISPENSER, W/VALVE, COVER (S/P)
40	134372100	TUBE, DISP-TO-OVERFLO (S/P)
41	134372200	O-RING, OVERFLOW TUBE (S/P)
44	134370200	COVER, DISPENSER (S/P)
45	134370000	DRAWER, DISPENSER (S/P)
48	137168010	HANDLE/DRAWER ASSY, WHITE (S/P)
50	134370100	CONVEYOR, DISPENSER, LOWER (S/P)
55	134553200	LENS, DIGITAL DISPLAY (S/P)
56	134557300	LIGHT PIPE, DIGITAL DISPLAY (S/P)

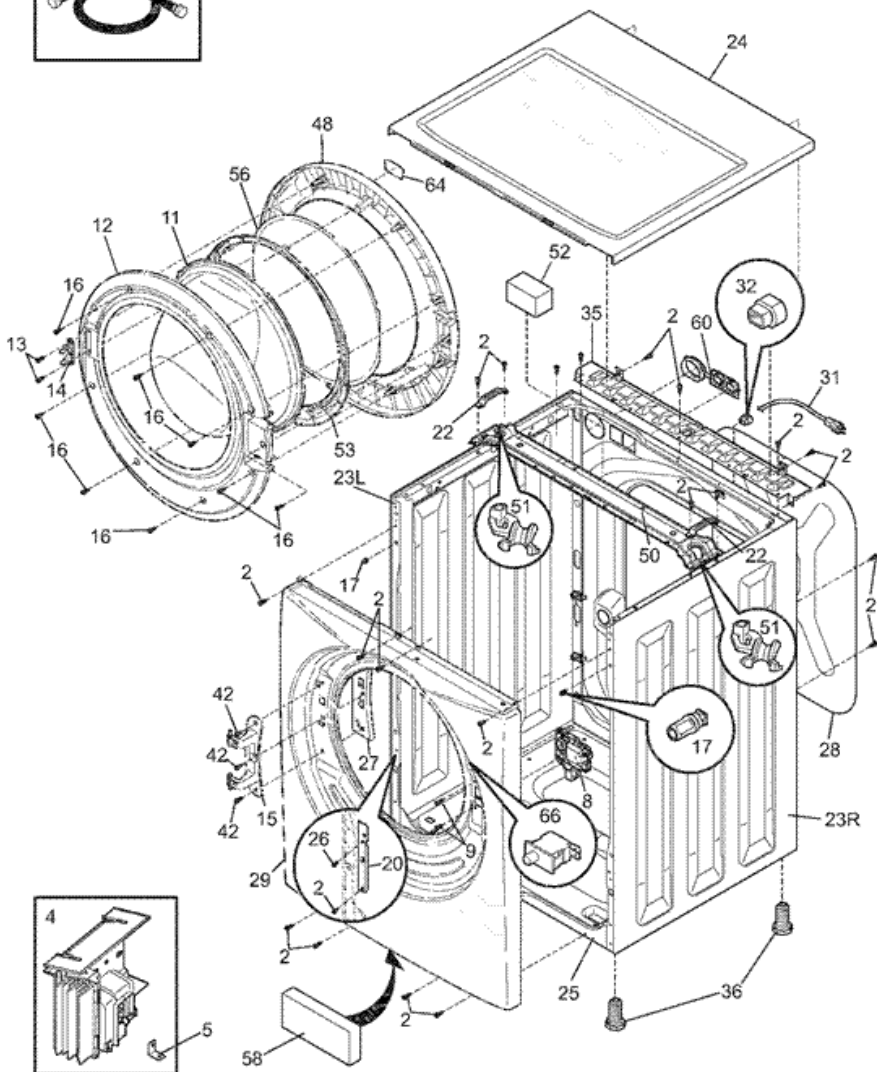
80	134547800	SCREW, 10-16AB X 0.375 (S/P)
F17	134762000	SWITCH, PRESSURE
NI	134555800	PAD, DRAWER HANDLE, SOFT TOUCH (S/P)
F1	137007010	CONTROL BOARD, PRINTED CIRCUIT (S/P)
F60	134558200	CONTROL, HEATER, W/TRANSFORMER (S/P)
F23	134739500	WIRING HARNESS, CONTROLS (S/P)
F22	134602100	WIRING HARNESS, INTERFACE BOARD (S/P)
F5	134556500	INTERFACE BOARD, PC, AUXILIARY (S/P)
F57	134503300	DISPLAY, DIGITAL (S/P)
F36	134371220	VALVE, DISPENSER, NTC/SHORT TUBE
NI	134371300	GASKET, DISP-TO-VALVE (S/P)
NI	131311900	SCREW, QUADREX PH, 8-18AB X 0.500 (S/P)
NI	134178901	SCREW, 8-18AB X 0.455 (S/P)
FNI	137215000	HARNESS, WIRING, MAIN (S/P)
FNI	134887800	WIRING HARNESS, MAIN (S/P)

Distribuidor Autorizado

SurteRápido.com

Venta de Refacciones
Electrodomesticas

FAFW3577KW1 GABINETE



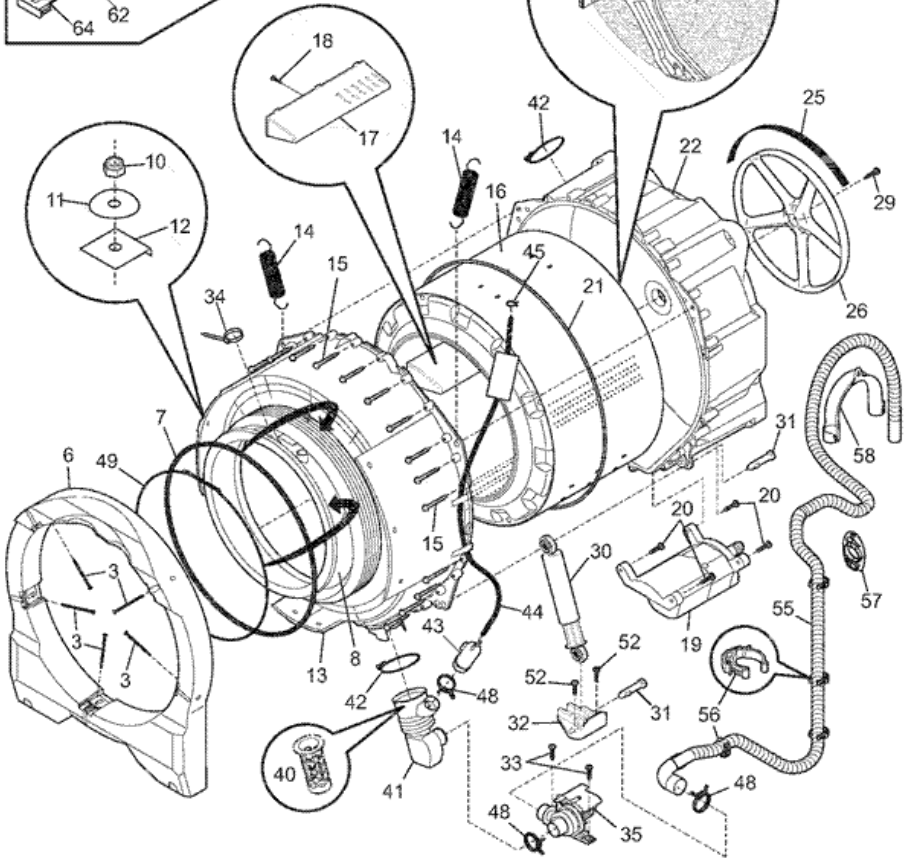
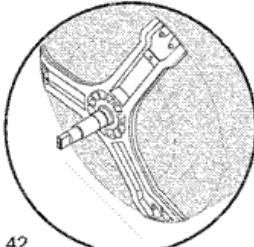
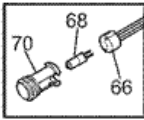
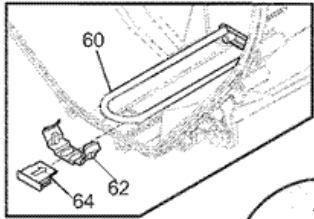


FAFW3577KW1 GABINETE

1	131454100	HOSE, WATER INLET, 4 FT., HOSE & WASHER (S/P)
2	131168200	SCREW, PAN HEAD, 8-18B X 0.31 (S/P)
4	134409905	CONTROL BOARD, MOTOR (S/P)
5	134522900	BRACKET, ANGLE, MOTOR CONTROL (S/P)
9	131303300	SCREW, PAN HEAD, 10-16AB X 0.500, LOCKING (S/P)
11	134366400	PANEL, DOOR GLASS (S/P)
12	134550702	FRAME, INNER DOOR, GRAY (S/P)
13	131302901	SCREW, 10-16 X 0.750 (S/P)
14	131763302	STRIKER, DOOR/LOCK, GRAY (S/P)
15	134550800	HINGE, DOOR, WITH BUSHINGS (S/P)
16	131205300	SCREW, 10-16 X 0.750 (S/P)
17	134638700	CLIP, ASSEMBLY (S/P)
20	134434901	BRACKET, LS PANEL, REINFORCEMENT (S/P)
22	134648500	BRACKET-SPRING, RETAINER (S/P)
24	137371700	PANEL, WORK TOP, WHITE (S/P)
25	134775500	BASE, WASHER (S/P)
26	134521600	SCREW, HEX WASHER HEAD, M5 0.8 X 15 (S/P)
27	134550900	BRACKET, HINGE, REINFORCEMENT (S/P)
28	134364300	PANEL, SERVICE ACCESS, REAR (S/P)
29	137021810	PANEL, FRONT, WHITE (S/P)
32	5303209428	BUSHING, POWER CORD (S/P)
35	134365100	BRACKET, TOP SUPPORT, REAR (S/P)
36	134548800	LEVELING LEG, SCREW, PLASTIC (S/P)
42	134601900	SCREW, FLAT HEAD, M5 X .8 X 17.5 (S/P)
48	134601525	PANEL, OUTER DOOR, CHROME (S/P)
50	134645600	BRACKET, TUB SUSPENSION (S/P)
51	134655800	PROTECTOR, TUB SUSPENSION (S/P)
52	131931202	DAMPENER, VIBRATION, FOAM (S/P)
53	134551300	RING, DOOR TRANSITION (S/P)
56	134550600	GLASS, OUTER DOOR LENS (S/P)
58	131800405	INSULATION, NOISE ABSORBER (S/P)
60	134372000	GROMMET, DISPENSER, BACK PANEL (S/P)
64	137166825	NAMEPLATE, AFFINITY (S/P)

23R	134775210	PANEL, RIGHT SIDE, WHITE (S/P)
F8	131763200	DOOR LOCK/SWITCH ASSY
NI	137021610	BRACKET, MOUNTING, RIGHT, FRONT PANEL (S/P)
NI	134876500	CLIP, HOSE, DRAIN, REAR-PANEL (S/P)
NI	137021600	BRACKET, MOUNTING, LEFT, FRONT PANEL (S/P)
NI	134629400	SCREW, MC5X8.5 TORX, CABINET MTG (S/P)
23L	134775310	PANEL, LEFT SIDE, WHITE (S/P)
NI	134178901	SCREW, 8-18AB X 0.455 (S/P)
NI	134434900	BRACKET, RS PANEL, REINFORCEMENT (S/P)
FNI	134603100	WIRING HARNESS, DOOR SWITCH (S/P)
NI	134889700	CLIP, HOSE, DRAIN, REAR-PANEL (S/P)
F31	134501000	POWER CORD, ELECTRIC SVCE (S/P)
NI	134554500	PAD, OUTER DOOR (S/P)
F66	134813600	SWITCH, DOOR (S/P)
NI	134591500	PLUG ASSY, SHIPPING HOLES, BACK (S/P)
FNI	134547600	WIRING HARNESS, MOTOR CONTROL (S/P)

FAFW3577KW1 MOTOR





FAFW3577KW1 MOTOR

3	131793303	BOLT, CARRIAGE, 1/4-20 X 2.60 (S/P)
6	134362200	COUNTERWEIGHT, FRONT, ONE PIECE (S/P)
7	134365300	SPRING, BELLOWS CLAMP, RETAINER (S/P)
10	131304700	NUT, HEX, 1/4-20 UNC-2B, (2) (S/P)
11	131276900	WASHER, BELLVILLE, SPRING STEEL (S/P)
12	134430600	PLATE, COUNTERWEIGHT (S/P)
13	134362000	SHELL, TUB, FRONT (S/P)
15	131303900	SCREW, HEX WASHER HEAD, 1/4-10A X 2.165 (S/P)
16	137105900	DRUM ASSY, SPIN BASKET (S/P)
17	134361602	VANE KIT, DRUM (S/P)
18	131302800	SCREW, 10-16AB X 0.375 (S/P)
20	131303500	SCREW, 12-14AB X 1.50, MOTOR MTG. (S/P)
21	134361900	O-RING, TUB (S/P)
22	134507130	SHELL, OUTER TUB, REAR, WITH BEARING (S/P)
29	134408400	SCREW, 10.9 CLASS, M10 X 25 MM (S/P)
30	134560410	SHOCK ABSORBER, ASSEMBLY (S/P)
31	131268300	PIN, SHOCK MTG. (S/P)
32	134363200	BRACKET, SHOCK MTG. (S/P)
33	134160900	SCREW, WASHER HD, 10-16AB X 0.75 (S/P)
34	5303321209	CABLE TIE, 5.60 INCH (S/P)
35	134051200	PUMP, DRAIN
40	134885800	FILTER, PUMP (S/P)
41	134455900	HOSE, COIN TRAP, TUB-TO-PUMP (S/P)
42	134737300	CLAMP, HOSE (S/P)
43	134369000	CHAMBER, AIR (S/P)
44	134369900	HOSE, AIR PRESSURE (S/P)
45	131306202	CLAMP, HOSE (S/P)
48	131306234	CLAMP, HOSE, WIRE (S/P)
49	134527100	CLAMP, BELLOWS, SPRING HELD (S/P)
52	131202300	SCREW, 10-16AB X 0.625 (S/P)
56	134781400	FASTENER, HOSE CLIP (S/P)
57	134641100	BRACKET, DRAIN HOSE MTG, REAR (S/P)
58	134440700	HANGER, DRAIN HOSE (S/P)

62	134558000	BRACKET, HEATING ELEMENT (S/P)
64	134558100	STOP, DETENTE, HEATING ELEMENT (S/P)
68	134554600	LAMP, G4 LIGHT BULB, 5 W, 12 V (S/P)
70	134551700	DIFFUSER, LAMP, DOOR LIGHT (S/P)
F60	134552300	ELEMENT, HEATING, 1000 W (S/P)
F19	134362500	MOTOR, 120 V (S/P)
F26	137317100	PULLEY, DRUM DRIVE, LARGE, REAR (S/P)
F66	134551700	RECEPTACLE, LAMP, DOOR LIGHT (S/P)
F25	134051003	BELT, DRIVE, 6-RIB (S/P)
F55	134889600	HOSE, DRAIN-ONE PIECE (S/P)
NI	137167300	ENERGY GUIDE (S/P)
F14	137099300	SPRING ASSY, SUSPENSION (S/P)
F8	134728400	BELLOWS KIT, BOOT, W/LIGHT HOLE (S/P)