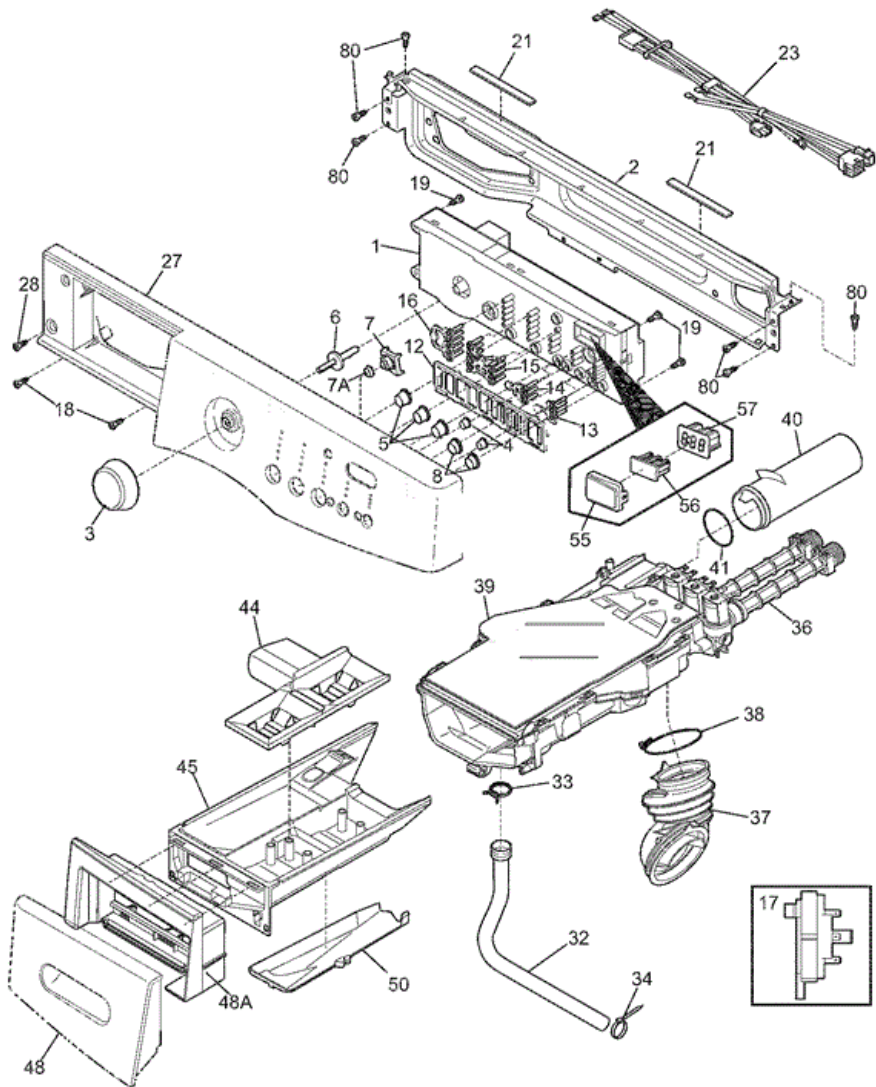


FAFW3801LW3 TABLERO





FAFW3801LW3 TABLERO

2	134887400	BRACKET,CONTROL PANEL ,MOUNTING
3	137314610	KNOB,CONTROL ,WHITE
4	137320810	PUSH BUTTON,ROUND NO.1
5	137314710	PUSH BUTTON,ROUND NO.3
6	134347700	PIN,PROGRAM KNOB
7	137320910	PUSH BUTTON,ROUND ,NO.2
8	137314810	PUSH BUTTON,ROUND NO.4
12	137320500	SPRING,PUSH BUTTONS
13	134557500	LIGHT PIPE,START GROUP
14	134557400	LIGHT PIPE,ROW OF 3
15	134552800	LIGHT PIPE,5 X 4
16	134600000	LIGHT PIPE,ROW OF 5
18	131302800	SCREW,QUADREX PH ,10-16AB X 0.5
19	134402900	SCREW,PHILLIPS ,6-19 X 0.650
21	134407900	DAMPENER,VIBRATION
23NO.	137104600	WIRE HARNESS,MAIN
27	137341810	PANEL,CONTROL CONSOLE
28	131205300	SCREW,10-16 X 0.750
32	134586500	HOSE,DISP-TO-BELLOWS
33	131306216	CLAMP
34	5303321209	CABLE TIE,5.60 INCH
37	134372300	HOSE,DISP-TO-TUB
38	134372400	CLAMP ,TUB HOSE
39	134446120	HOUSING,DISPENSER ,W/VALVE,COVER
40	134372100	TUBE,DISP-TO-OVERFLO
41	134372200	O-RING,OVERFLOW TUBE
44	134370200	COVER,DISPENSER
45	134370000	DRAWER,DISPENSER
48	137314410	HANDLE/DRAWER
48A	137314510	FRAME,DRAWER HANDLE
50	134370100	CONVEYOR,DISPENSER ,LOWER
55	137320700	WINDOW,DIGIT DISPLAY
56	134557300	LIGHT PIPE,DIGITAL DISPLAY

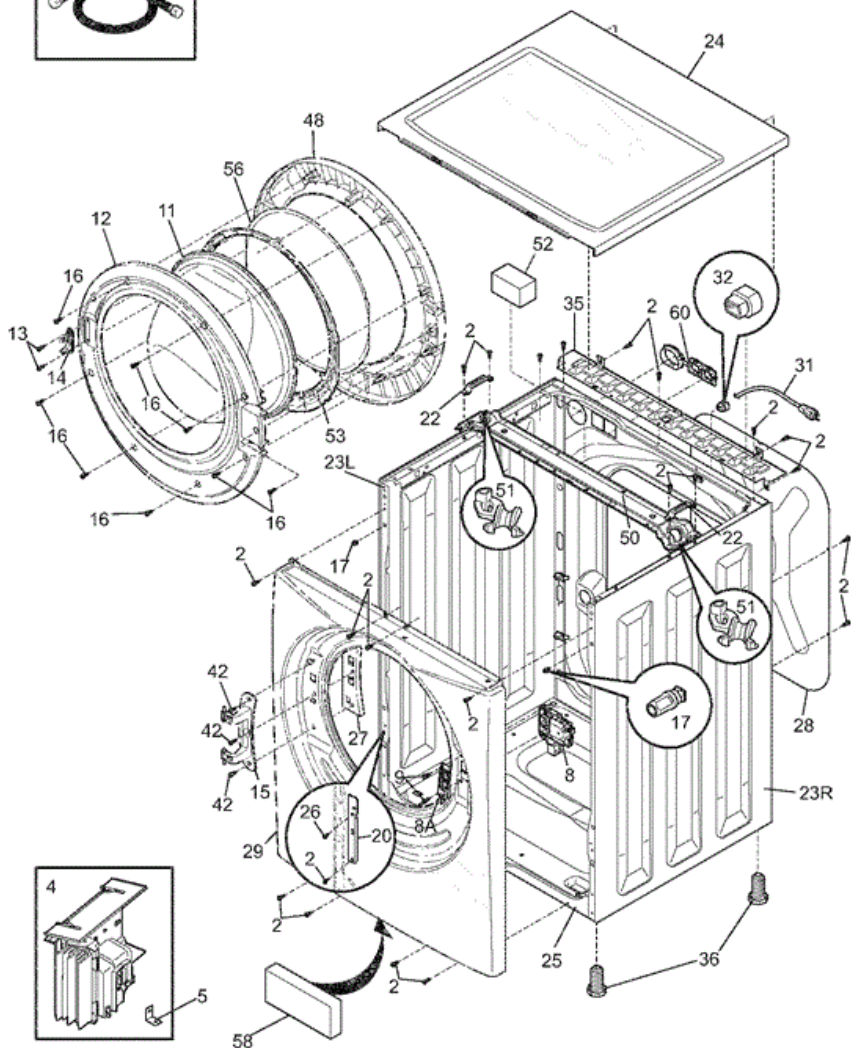
80	131168200	SCREW,PAN HEAD ,8-18B X 0.31
F1	137006005	CONTROL BOARD,PRINTED CIRCUIT,WITH HOUSING
F17	134762000	SWITCH,PRESSURE
F36	134371220	VALVE,DISPENSER ,NTC/SHORT TUBE
F57	134503300	DISPLAY,DIGITAL
FNI	134547600	WIRING HARNESS,MOTOR CONTROL
NI	134178901	SCREW,8-18AB X 0.455
NI	134371300	GASKET,DISP-TO-VALVE

Distribuidor Autorizado

SurteRápido.com

Venta de Refacciones
Electrodomesticas

FAFW3801LW3 GABINETE





FAFW3801LW3 GABINETE

1	131454100	HOSE,WATER INLET ,4 FT. ,HOSE & WASHER
2	131168200	SCREW,PAN HEAD ,8-18B X 0.31
4	134409905	CONTROL BOARD,MOTOR
5	134522900	BRACKET,ANGLE ,MOTOR CONTROL
9	131303300	SCREW,PAN HEAD ,10-16AB X 0.500 ,LOCKING
11	134950800	PANEL,DOOR GLASS
12	134550700	FRAME,INNER DOOR ,WHITE
13	131302901	SCREW,10-16 X 0.750
14	134456600	STRIKER,DOOR/LOCK ,WHITE
15	134550800	HINGE,DOOR ,WITH BUSHINGS
16	131205300	SCREW,10-16 X 0.750
17	134638700	CLIP,ASSEMBLY
20	134434901	BRACKET,LS PANEL ,REINFORCEMENT
22	134648500	BRACKET-SPRING,RETAINER
23L	134775310	PANEL,LEFT SIDE ,WHITE
23R	134775210	PANEL,RIGHT SIDE ,WHITE
24	137371700	PANEL,WORK TOP ,WHITE
25	134775500	BASE,WASHER
26	134521600	SCREW,HEX WASHER HEAD ,M5 0.8 X 15
27	134550900	BRACKET,HINGE ,REINFORCEMENT
28	134364300	PANEL,SERVICE ACCESS ,REAR
29	137021811	PANEL,FRONT ,WHITE
32	5303209428	BUSHING,STRAIN RELIEF
35	134365100	BRACKET,TOP SUPPORT ,REAR
36	134548800	LEVELING LEG,SCREW ,PLASTIC
42	134601900	SCREW,FLAT HEAD ,M5 X .8 X 17.5
48	134550500	PANEL,OUTER DOOR ,WHITE
50	134645600	BRACKET,TUB SUSPENSION
51	134655800	PROTECTOR,TUB SUSPENSION ,SPRING HOOK ,(2)
52	131931202	DAMPENER,VIBRATION ,FOAM
53	134551300	RING,DOOR TRANSITION
56	134550600	GLASS,OUTER DOOR LENS
58	131800405	INSULATION,NOISE ABSORBER

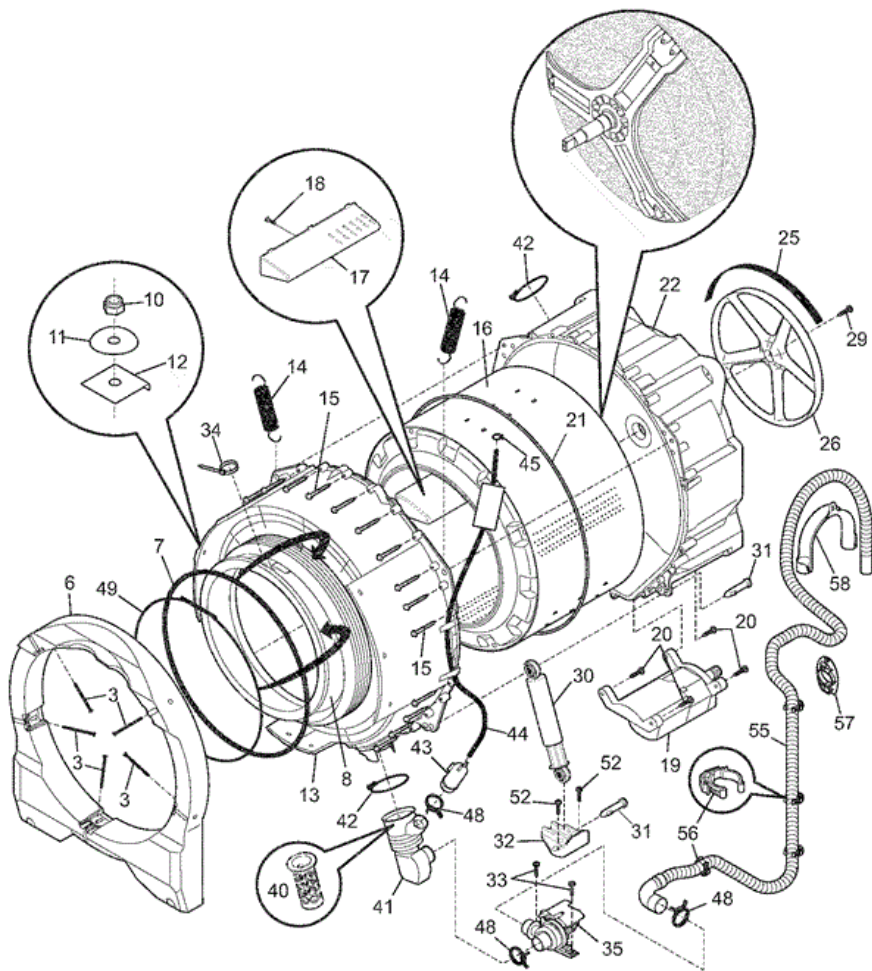
60	134372000	GROMMET,DISPENSER ,BACK PANEL
8A	137279900	VENT,DOOR ,COMPLETE ASSY
F31	134501000	POWER CORD,ELECTRIC SVCE
F8	131763202	DOOR LOCK/SWITCH ASSY
FNI	134547600	WIRING HARNESS,MOTOR CONTROL
FNI	134606800	WIRING HARNESS,DOOR SWITCH
NI	134178901	SCREW,8-18AB X 0.455
NI	134434900	BRACKET,RS PANEL ,REINFORCEMENT
NI	134554500	PAD,OUTER DOOR
NI	134591500	PLUG ASSY,SHIPPING HOLES ,BACK
NI	134629400	SCREW,MC5X8.5 TORX ,CABINET MTG
NI	134876500	CLIP,HOSE,DRAIN ,REAR-PANEL
NI	134889700	CLIP, HOSE,DRAIN ,REAR-PANEL
NI	137021600	BRACKET,MOUNTING ,LEFT ,FRONT PANEL
NI	137021610	BRACKET,MOUNTING ,RIGHT ,FRONT PANEL

Distribuidor Autorizado

SurteRápido.com

Venta de Refacciones
Electrodomesticas

FAFW3801LW3 TAMBOR





FAFW3801LW3 TAMBOR

3	131793303	BOLT,CARRIAGE ,1/4-20 X 2.60
6	134362200	COUNTERWEIGHT,FRONT ,ONE PIECE
7	134365300	SPRING,BELLOWS CLAMP ,RETAINER
10	131304700	NUT,HEX ,1/4-20 UNC-2B ,(2)
11	131276900	WASHER,BELLVILLE ,SPRING STEEL
12	134430600	PLATE,COUNTERWEIGHT
13	134362000	SHELL,TUB ,FRONT
15	131303900	SCREW,HEX WASHER HEAD ,1/4-10A X 2.165
16	134960600	DRUM ASSY,SPIN BASKET
17	134952702	VANE
18	131302800	SCREW,QUADREX PH ,10-16AB X 0.5
20	131303500	SCREW,12-14AB X 1.50 ,MOTOR MTG.
21	134361900	O-RING,TUB
22	134507170	SHELL,OUTER TUB ,REAR ,WITH BEARING
29	134408400	SCREW,10.9 CLASS ,M10 X 25 MM
30	137320300	SHOCK ABSORBER,ASSEMBLY
31	131268300	PIN,SHOCK MTG.
32	134363200	BRACKET,SHOCK MTG.
33	134160900	SCREW,WASHER HD ,10-16AB X 0.75
34	5303321209	CABLE TIE,5.60 INCH
35	137108100	PUMP,DRAIN
40	134885800	FILTER,PUMP
41	134455900	HOSE,COIN TRAP ,TUB-TO-PUMP
42	134737300	CLAMP,HOSE
43	134369000	CHAMBER,AIR
44	134369900	HOSE,AIR PRESSURE
45	137087500	CLAMP,HOSE
48	131306234	CLAMP,HOSE ,WIRE
49	134527100	CLAMP,BELLOWS ,SPRING HELD
52	131202300	SCREW,10-16AB X 0.625
56	134781400	FASTENER,HOSE CLIP
57	134641100	BRACKET,DRAIN HOSE MTG ,REAR
58	137166600	HANGER,DRAIN HOSE

F14	137099300	SPRING ASSY,SUSPENSION
F19	137043000	MOTOR,CIM
F25	134051003	BELT,DRIVE ,6-RIB
F26	137317100	PULLEY,DRUM DRIVE ,REAR ,LARGE
F55	134889600	HOSE,DRAIN-ONE PIECE
F8	134740900	BELLOWS,BOOT ,NO LIGHT HOLE