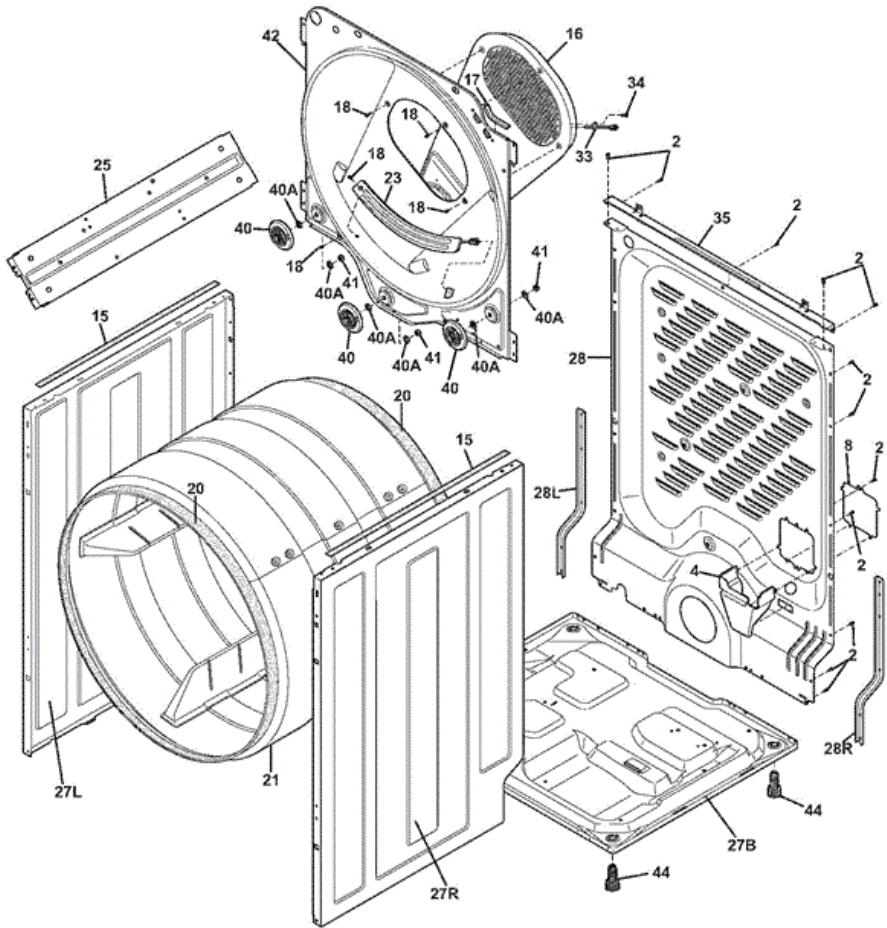
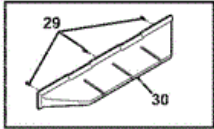


**FAQE7001LW0 CABINET**





## FAQE7001LW0 CABINET

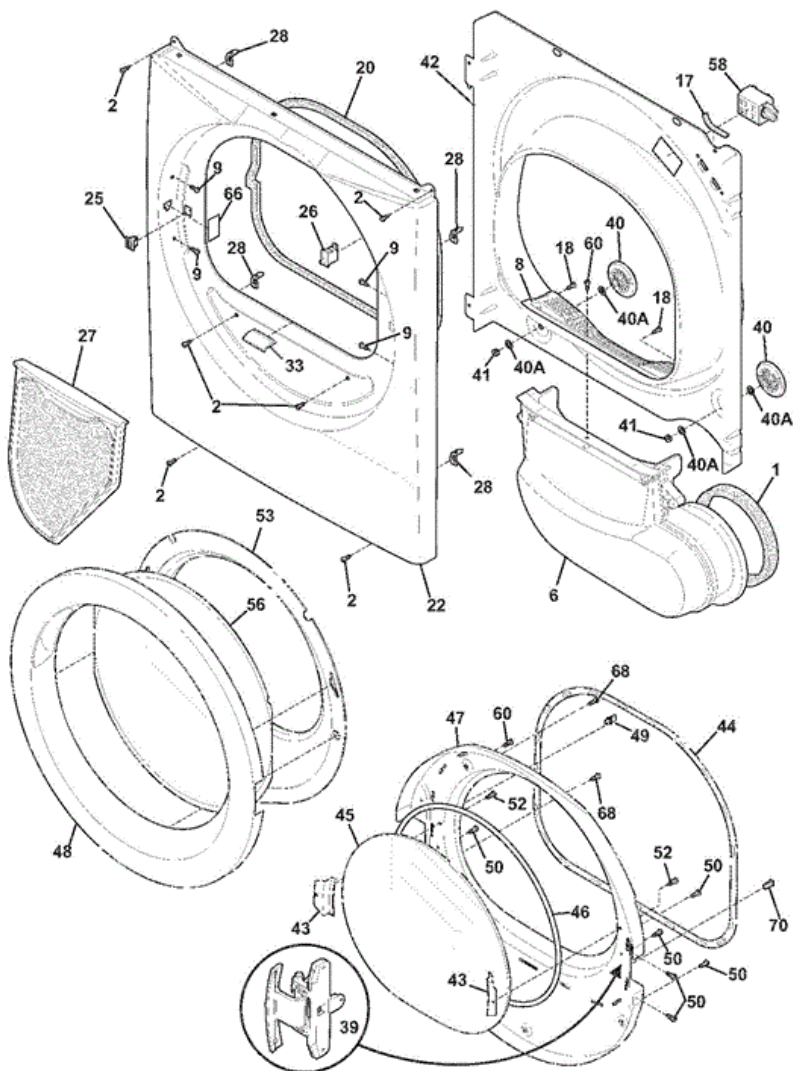
2	131168200	SCREW,PAN HEAD ,8-18B X 0.31
4	134792200	BRACKET,MOUNTING ,TERMINAL BLOCK
8	134694400	COVER,TERMINAL BLOCK
15	137031800	CUSHION,VIBRATION ,TOP PANEL
16	134694020	DUCT,HEAT ,REAR
17	134792900	PROTECTOR,EDGE ,RIGHT TOP FRONT ,85.0+/-1.5
18	131477000	SCREW,10-16AB X 0.375
20	134705900	SEAL,FELT ,DRUM
21	134711900	DRUM,DRYER ,ASSEMBLY 36``
25	134912100	BRACKET,MOUNTING ,MAIN CONTROL BX
27B	134690200	BASE,DRYER
27L	134690310	PANEL,LEFT SIDE ,WHITE
27R	134690410	PANEL,RIGHT SIDE ,WHITE
28	134713200	PANEL,BACKSHEET ,REAR
28L	137029900	BRACKET,REINFORCEMENT ,LEFT ,BACKSHEET
28R	137066800	BRACKET,REINFORCEMENT ,RIGHT ,BACKSHEET
29	131205100	SCREW,NO.8 PAN HEAD ,10-10B X 0.500
30	137116800	VANE,STRAIGHT ,WHITE
34	131243700	SCREW, PAN HEAD, 8-18AB X 0.375
35	134706200	BRACKET, TOP PANEL MTG. ,REAR
40	134715900	ROLLER,WHEEL ,COMPLETE ASMY
40A	134716700	WASHER,FLAT
41	134716800	NUT,3/8-16
42	134712815	BULKHEAD,PANEL ,REAR
44	134158000	LEVELING LEG,SCREW
F23	134786110	SENSOR-MOISTURE,ASSEMBLY
F33	3204267	THERMOSTAT-SAFETY
NI	134716200	RETAINER,ROLLER WHEEL ,ASSEMBLY
NI	134930800	HARNESS,MOISTURE SENSOR
NI	137240400	BRACE,SIDE PANEL ,LEFT OR RIGHT
NI	5308027429	ADHESIVE, HIGH TEMP

Distribuidor Autorizado

SurteRápido.com

Venta de Refacciones  
Electrodomesticas

## FAQE7001LW0 FRONT PANEL



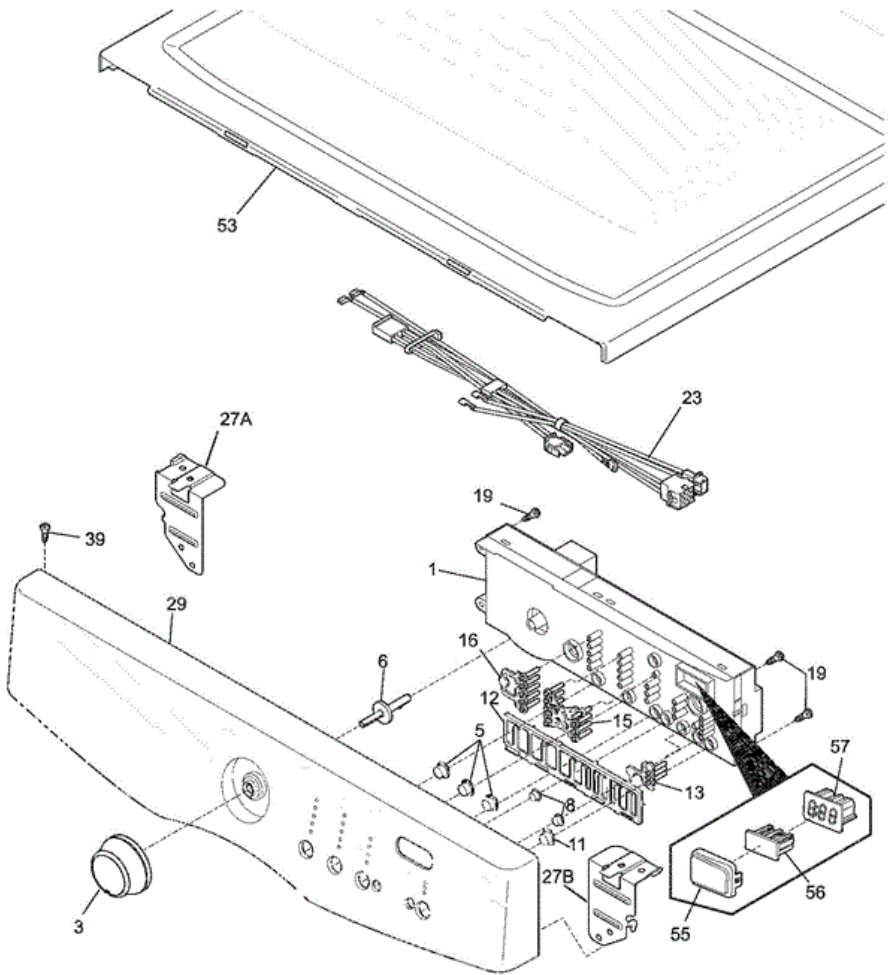


## FAQE7001LW0 FRONT PANEL

1	137068200	SEAL,AIR DUCT
2	131168200	SCREW,PAN HEAD ,8-18B X 0.31
6	134710705	DUCT,AIR ,GRAY
8	134701310	COVER,LINT HOUSING
9	131633200	PLUG,WHITE
17	134792900	PROTECTOR,EDGE ,RIGHT TOP FRONT ,85.0+/-1.5
18	131477000	SCREW,10-16AB X 0.375
20	137116600	GASKET,FRONT PANEL
22	134696610	PANEL,FRONT ,WHITE
25	131658800	DOOR CATCH,UPPER
27	134701410	FILTER, LINT ,COMPLETE
28	137034500	CLIP,MOUNTING ,CABINET FRONT
33	137067100	RAMP,DOOR
39	137105100	HINGE,DOOR ,39
40	134715900	ROLLER,WHEEL ,COMPLETE ASMY
40A	134716700	WASHER,FLAT
41	134716800	NUT,3/8-16
42	134696110	BULKHEAD,PANEL ,FRONT
43	134559300	BRACKET,DOOR GLASS
44	134720900	GASKET,DOOR SEAL
45	134611800	GLASS,INNER DOOR
46	134580300	GASKET,DOOR GLASS ,INNER
47	134683911	PANEL,INNER DOOR ,WHITE
48	134558400	PANEL,OUTER DOOR ,WHITE
49	5303211430	DOOR STRIKE
50	131303300	SCREW,PAN HEAD ,10-16AB X 0.500 ,LOCKING
52	134529600	SCREW,INDT PAN HEAD ,8-18AB X 0.375
53	134558600	RING,DOOR TRANSITION
56	134550600	GLASS,OUTER DOOR LENS
60	134430300	SCREW,INDT PAN HEAD ,10-14 X 0.625 ,QUADREX
66	134680800	T-PLUG,HINGE HOLE
68	134742000	PLUG,HINGE HOLE ,WHITE
70	134417500	PLUG,RECTANGULAR ,WHITE

F26	134813601	SWITCH,DOOR ,RECTANGLE ,WHITE ,WITH DRUM
F58	131843500	LAMP ASSY,DRUM LIGHT ,W/MTG BRACKET
FNI	131862800	LAMP
NI	134716200	RETAINER,ROLLER WHEEL ,ASSEMBLY
NI	134910300	HARNESS,WIRE ,DOOR SWITCH
NI	5308027429	ADHESIVE, HIGH TEMP

**FAQE7001LW0 CONTROLS**

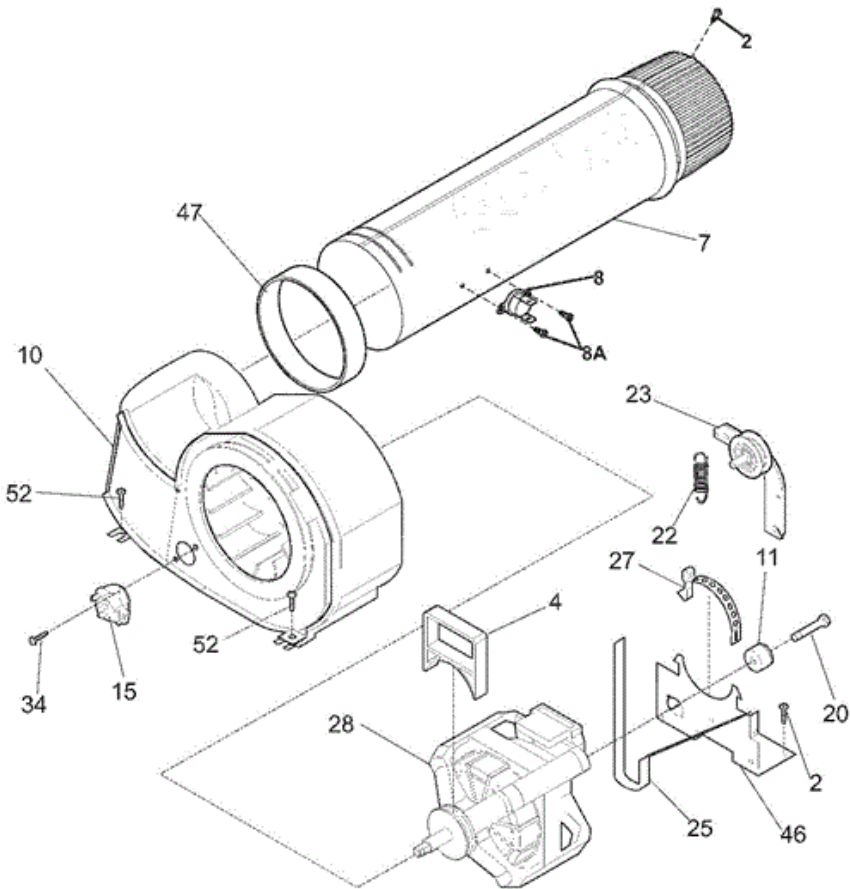




## FAQE7001LW0 CONTROLS

1	137070890	CONTROL BOARD,PC ,WITH HOUSING
3	137314610	KNOB,CONTROL ,WHITE
6	134347700	PIN,PROGRAM KNOB
8	137320810	PUSH BUTTON,ROUND NO.1
9	137314710	PUSH BUTTON,ROUND NO.3
11	137314810	PUSH BUTTON,ROUND NO.4
12	137320500	SPRING,PUSH BUTTONS
13	134557501	LIGHT PIPE,START GROUP
15	134552800	LIGHT PIPE,5 X 4
16	134600000	LIGHT PIPE,ROW OF 5
23	134910200	HARNESS,CONTROL
27A	134710900	BRACKET,CONTROL PANEL ,LEFT HAND
27B	134711000	BRACKET,CONTROL PANEL ,RIGHT HAND
29	137345410	PANEL,CONTROL CONSOLE ,WHITE
39	131205100	SCREW,NO.8 PAN HEAD ,10-10B X 0.500
53	137371700	PANEL,WORK TOP ,WHITE
55	137320700	WINDOW,DIGIT DISPLAY
56	134557300	LIGHT PIPE,DIGITAL DISPLAY
F23	134710300	HARNESS,WIRE
F57	134503300	DISPLAY,DIGITAL
NI	134926600	DAMPER,SOUND

**FAQE7001LW0 MOTOR**



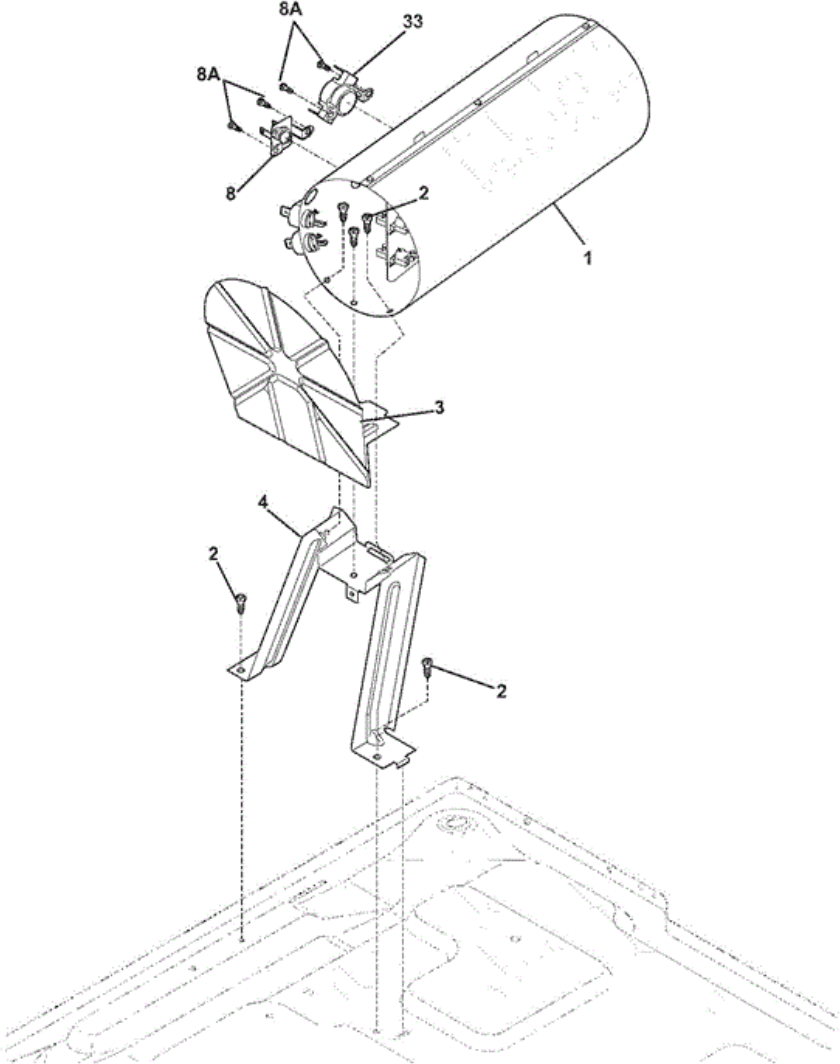




## FAQE7001LW0 MOTOR

2	131168200	SCREW,PAN HEAD ,8-18B X 0.31
4	131435200	LOCK,BLOWER HOUSING
7	134693900	TUBE,EXHAUST ,REAR
8	134711400	LIMITER,THERMAL ,EXHAUST ,FLUSH MOUNT
11	131749800	SPACER-IDLER
20	131017900	SCREW,HEX HEAD ,1/4-20T X 1.25
22	131601000	SPRING,IDLER ARM
23	134793500	IDLER ARM ASSY,W/PULLEY
27	134242400	CLAMP,MOTOR MTG.
34	131243700	SCREW , PAN HEAD, 8-18AB X 0.375
46	134693500	BRACKET,MOTOR MOUNTING
47	131633300	SEAL-EXHAUST TUBE
52	131202300	SCREW,10-16AB X 0.625
8A	134935200	SCREW,NO.8-32 X .25 ,W/NO.6 QUADREXPAN
F10	131775600	BLOWER ASSY,HOUSING ,W/COVER & WHEEL
F15	134587700	THERMISTOR,CONTROL
F25	134719300	BELT,``H`` ,POLY V ,5 RIB
F28	137115900	MOTOR,DRYER DRIVE ,WITH PULLEY

**FAQE7001LW0 BURNER**





## FAQE7001LW0 BURNER

2	131168200	SCREW,PAN HEAD ,8-18B X 0.31
3	134692700	SHIELD,RADIANT ,ELECTRIC
4	134785000	BRACKET,HEATER/BURNER ,MOUNTING
8	137032600	LIMITER,THERMAL ,HEATER
8A	134935200	SCREW,NO.8-32 X .25 ,W/NO.6 QUADREXPAN
F1	137114000	HEATER,1 ELEMENT ,4700W
F33	3204267	THERMOSTAT-SAFETY