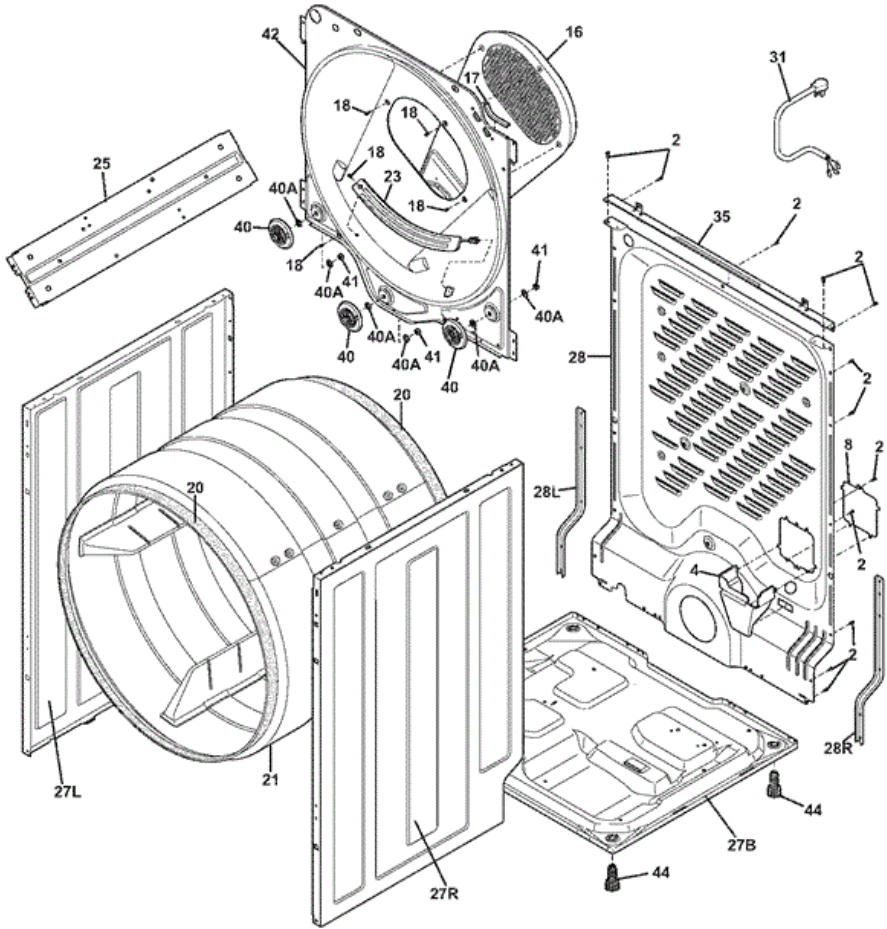
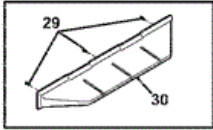


**FAQG7011KW0 TAMBOR**

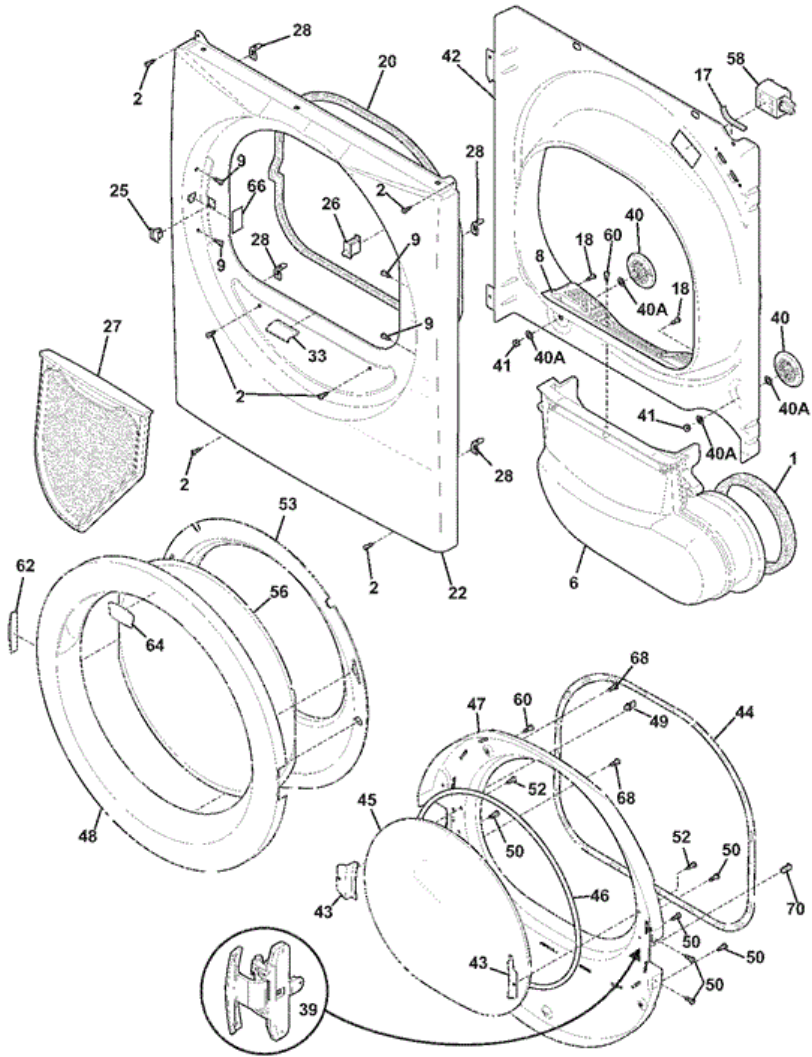




## FAQG7011KW0 TAMBOR

|     |            |                                                  |
|-----|------------|--------------------------------------------------|
| 2   | 131168200  | SCREW,PAN HEAD ,8-18B X 0.31                     |
| 4   | 134792200  | BRACKET,MOUNTING ,TERMINAL BLOCK                 |
| 8   | 134694400  | COVER,TERMINAL BLOCK                             |
| 16  | 134694020  | DUCT,HEAT ,REAR                                  |
| 17  | 134792900  | PROTECTOR,EDGE ,RIGHT TOP FRONT                  |
| 18  | 131477000  | SCREW,10-16AB X 0.375                            |
| 20  | 134705900  | SEAL,FELT ,DRUM                                  |
| 21  | 134711900  | DRUM,DRYER ,ASSEMBLY 36``                        |
| 25  | 134912100  | BRACKET,MOUNTING ,MAIN CONTROL BX                |
| 27B | 134690200  | BASE,DRYER                                       |
| 27L | 134690310  | PANEL,LEFT SIDE ,WHITE                           |
| 27R | 134690410  | PANEL,RIGHT SIDE ,WHITE                          |
| 28  | 134713200  | PANEL,BACKSHEET ,REAR                            |
| 28L | 137029900  | BRACKET,REINFORCEMENT ,LEFT ,BACKSHEET           |
| 28R | 137066800  | BRACKET,REINFORCEMENT ,RIGHT ,BACKSHEET          |
| 29  | 131205100  | SCREW,NO.8 PAN HEAD ,10-10B X 0.500 ,CR/SQ DRIVE |
| 30  | 137116800  | VANE,STRAIGHT ,WHITE                             |
| 35  | 134706200  | BRACKET,TOP PANEL MTG. ,REAR                     |
| 40  | 134715900  | ROLLER,WHEEL ,COMPLETE ASMY                      |
| 40A | 134716700  | WASHER,FLAT                                      |
| 41  | 134716800  | NUT,3/8-16                                       |
| 42  | 134712815  | BULKHEAD,PANEL ,WHITE ,REAR                      |
| 44  | 137029700  | LEVELING LEG,SCREW                               |
| F23 | 134786110  | SENSOR-MOISTURE,ASSEMBLY                         |
| F31 | 134501000  | POWER CORD,ELECTRIC SVCE                         |
| NI  | 134716200  | RETAINER,ROLLER WHEEL ,ASSEMBLY                  |
| NI  | 134790900  | STRAIN RELEIF,120 ,PWR CORD                      |
| NI  | 134930800  | HARNESS,MOISTURE SENSOR                          |
| NI  | 5308027429 | ADHESIVE, HIGH TEMP                              |

**FAQG7011KW0 PUERTA**



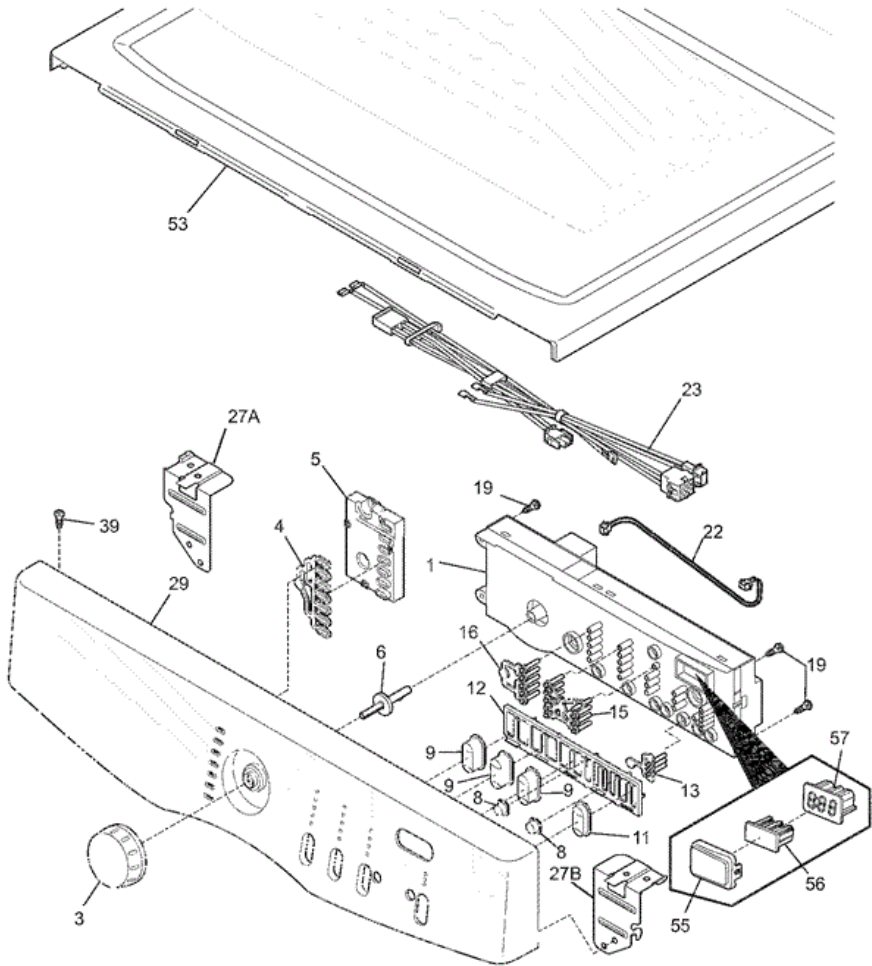


## FAQG7011KW0 PUERTA

|     |            |                                             |
|-----|------------|---------------------------------------------|
| 1   | 137068200  | SEAL,AIR DUCT                               |
| 2   | 131168200  | SCREW,PAN HEAD ,8-18B X 0.31                |
| 6   | 134710705  | DUCT,AIR ,GRAY                              |
| 8   | 134701310  | COVER,LINT HOUSING                          |
| 9   | 131633200  | PLUG,WHITE                                  |
| 17  | 134792900  | PROTECTOR,EDGE ,RIGHT TOP FRONT             |
| 18  | 131477000  | SCREW,10-16AB X 0.375                       |
| 20  | 137116600  | GASKET,FRONT PANEL                          |
| 22  | 134696610  | PANEL,FRONT ,WHITE                          |
| 25  | 131658800  | DOOR CATCH,UPPER                            |
| 27  | 134701410  | FILTER, LINT ,COMPLETE                      |
| 28  | 137034500  | CLIP,MOUNTING ,CABINET FRONT                |
| 33  | 137067100  | RAMP,DOOR                                   |
| 39  | 134680900  | HINGE,DOOR                                  |
| 40  | 134715900  | ROLLER,WHEEL ,COMPLETE ASMY                 |
| 40A | 134716700  | WASHER,FLAT                                 |
| 41  | 134716800  | NUT,3/8-16                                  |
| 42  | 134696110  | BULKHEAD,PANEL ,FRONT                       |
| 43  | 134559300  | BRACKET,DOOR GLASS                          |
| 44  | 134720900  | GASKET,DOOR SEAL                            |
| 45  | 134611800  | GLASS,INNER DOOR                            |
| 46  | 134580300  | GASKET,DOOR GLASS ,INNER                    |
| 47  | 134683911  | PANEL,INNER DOOR ,WHITE                     |
| 48  | 134558400  | PANEL,OUTER DOOR ,WHITE                     |
| 49  | 5303211430 | DOOR STRIKE                                 |
| 50  | 131303300  | SCREW,PAN HEAD ,10-16AB X 0.500 ,LOCKING    |
| 52  | 134529600  | SCREW,INDT PAN HEAD ,8-18AB X 0.375         |
| 53  | 134558600  | RING,DOOR TRANSITION                        |
| 56  | 134550600  | GLASS,OUTER DOOR LENS                       |
| 60  | 134430300  | SCREW,INDT PAN HEAD ,10-14 X 0.625 ,QUADREX |
| 62  | 134680700  | PLUG,HINGE CUTOUT ,WHITE                    |
| 64  | 137166825  | NAMEPLATE,AFFINITY                          |
| 66  | 134680800  | T-PLUG,HINGE HOLE                           |

|     |            |                                         |
|-----|------------|-----------------------------------------|
| 68  | 134742000  | PLUG,HINGE HOLE ,WHITE                  |
| 70  | 134417500  | PLUG,RECTANGULAR ,WHITE                 |
| F26 | 131843101  | SWITCH,DOOR ,RECTANGLE ,WITH DRUM LIGHT |
| F58 | 131843500  | LAMP ASSY,DRUM LIGHT ,W/MTG BRACKET     |
| FNI | 131862800  | LAMP                                    |
| NI  | 134554500  | PAD,OUTER DOOR                          |
| NI  | 134716200  | RETAINER,ROLLER WHEEL ,ASSEMBLY         |
| NI  | 134910300  | HARNESS,WIRE ,DOOR SWITCH               |
| NI  | 5308027429 | ADHESIVE, HIGH TEMP                     |

**FAQG7011KW0 TABLERO**

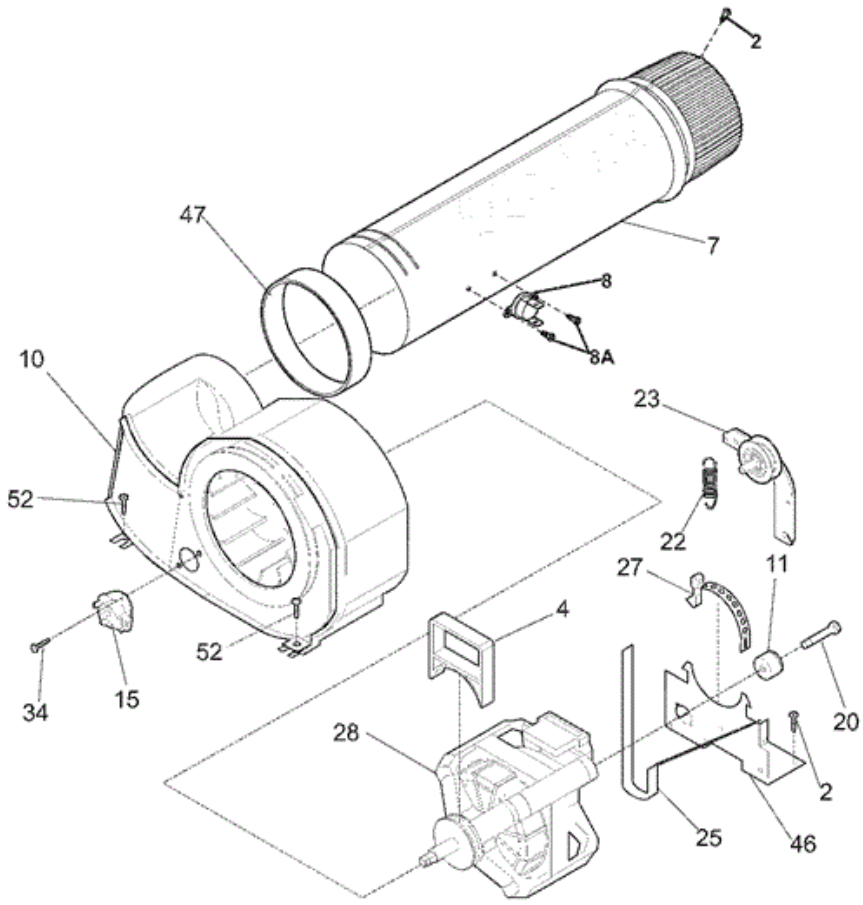




## FAQG7011KW0 TABLERO

|     |           |                                                  |
|-----|-----------|--------------------------------------------------|
| 3   | 134551225 | KNOB,PROGRAM ,CHROME                             |
| 4   | 134553100 | LIGHT PIPE,PROGRAM                               |
| 6   | 134347700 | PIN,PROGRAM KNOB                                 |
| 8   | 134555525 | PUSH BUTTON,ROUND ,NO.1                          |
| 9   | 134553425 | PUSH BUTTON,OVAL ,NO.1                           |
| 11  | 134864400 | PUSH BUTTON,OVAL ,START                          |
| 12  | 134884900 | SPRING,PUSH BUTTON                               |
| 13  | 134557501 | LIGHT PIPE,START GROUP                           |
| 15  | 134552800 | LIGHT PIPE,5 X 4                                 |
| 16  | 134600000 | LIGHT PIPE,ROW OF 5                              |
| 19  | 134402900 | SCREW,PHILLIPS ,6-19 X 0.650                     |
| 27A | 134710900 | BRACKET,CONTROL PANEL ,LEFT HAND ,MOUNTING       |
| 27B | 134711000 | BRACKET,CONTROL PANEL ,RIGHT HAND ,MOUNTING      |
| 29  | 137168710 | PANEL,CONTROL CONSOLE ,WHITE                     |
| 39  | 131205100 | SCREW,NO.8 PAN HEAD ,10-10B X 0.500 ,CR/SQ DRIVE |
| 53  | 134365010 | PANEL,WORK TOP ,WHITE                            |
| 55  | 134553200 | LENS,DIGITAL DISPLAY                             |
| 56  | 134557300 | LIGHT PIPE,DIGITAL DISPLAY                       |
| F1  | 137070840 | CONTROL BOARD,PRINTED CIRCUIT ,WITH HOUSING      |
| F22 | 134602100 | WIRING HARNESS,INTERFACE BOARD                   |
| F23 | 134710300 | HARNESS,WIRE                                     |
| F5  | 134556500 | INTERFACE BOARD,PC ,AUXILIARY                    |
| F57 | 134503300 | DISPLAY,DIGITAL                                  |
| NI  | 134910200 | HARNESS,CONTROL                                  |

**FAQG7011KW0 MOTOR**



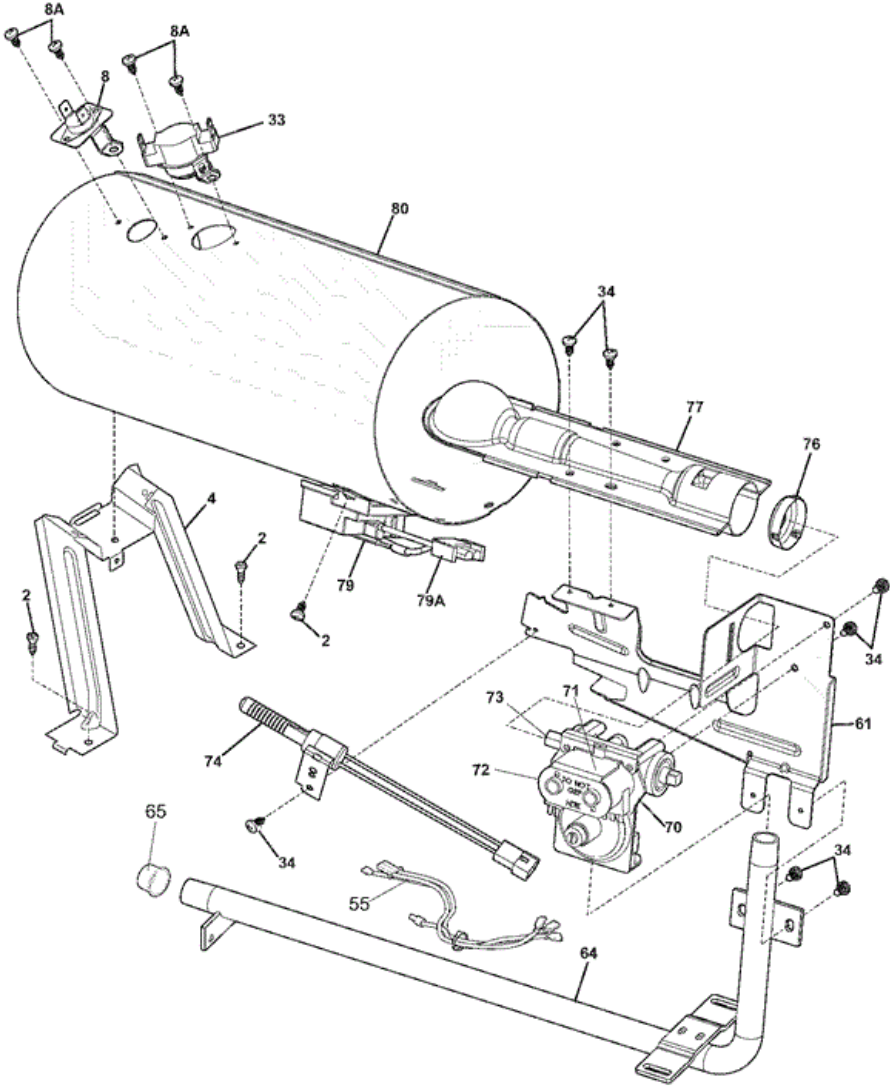




## FAQG7011KW0 MOTOR

|     |           |                                             |
|-----|-----------|---------------------------------------------|
| 2   | 131168200 | SCREW,PAN HEAD ,8-18B X 0.31                |
| 4   | 131435200 | LOCK,BLOWER HOUSING                         |
| 7   | 134693900 | TUBE,EXHAUST ,REAR                          |
| 8   | 134711400 | LIMITER,THERMAL ,EXHAUST ,FLUSH MOUNT       |
| 11  | 131749800 | SPACER-IDLER                                |
| 20  | 131017900 | SCREW,HEX HEAD ,1/4-20T X 1.25 ,SPACER MTG. |
| 22  | 131601000 | SPRING,IDLER ARM                            |
| 23  | 134793500 | IDLER ARM ASSY,W/PULLEY                     |
| 27  | 134242400 | CLAMP,MOTOR MTG.                            |
| 34  | 131243700 | SCREW, PAN HEAD, 8-18AB X 0.375             |
| 46  | 134693500 | BRACKET,MOTOR MOUNTING                      |
| 47  | 131633300 | SEAL-EXHAUST TUBE                           |
| 52  | 131202300 | SCREW,10-16AB X 0.625                       |
| 8A  | 134935200 | SCREW,NO.8-32 X .25 ,W/NO.6 QUADREXPAN      |
| F10 | 131775600 | BLOWER ASSY,HOUSING ,W/COVER & WHEEL        |
| F15 | 134587700 | THERMISTOR,CONTROL                          |
| F25 | 134719300 | BELT,`H` ,POLY V ,5 RIB                     |
| F28 | 137115900 | MOTOR,DRYER DRIVE ,WITH PULLEY              |

**FAQG7011KW0 QUEMADOR**





## FAQG7011KW0 QUEMADOR

|     |            |                                        |
|-----|------------|----------------------------------------|
| 2   | 131168200  | SCREW,PAN HEAD ,8-18B X 0.31           |
| 4   | 134785000  | BRACKET,HEATER/BURNER ,MOUNTING        |
| 8   | 134711500  | LIMITER,THERMAL                        |
| 34  | 131243700  | SCREW, PAN HEAD, 8-18AB X 0.375        |
| 55  | 137029500  | HARNESS,BURNER                         |
| 61  | 134715800  | BRACKET,GAS VALVE                      |
| 64  | 137019100  | PIPE,GAS                               |
| 65  | 8015112    | CAP-PIPE                               |
| 76  | 134714400  | COLLAR,ALIGNMENT ,GAS VALVE            |
| 79A | 134259100  | HARNESS,FLAME SENSOR                   |
| 8A  | 134935200  | SCREW,NO.8-32 X .25 ,W/NO.6 QUADREXPAN |
| F33 | 137116700  | THERMOSTAT,HIGH LIMIT                  |
| F70 | 5303207409 | VALVE GAS                              |
| F71 | 5303307291 | COIL-SECONDARY                         |
| F72 | 5303307292 | COIL-BOOSTER                           |
| F73 | 5303207410 | ORIFICE,NATURAL GAS ,SIZE 44           |
| F74 | 134192000  | IGNITER ASSY                           |
| F77 | 134197700  | BURNER,GAS                             |
| F79 | 5303281135 | SENSOR,RADIANT                         |
| F80 | 134692500  | TUBE,BURNER                            |