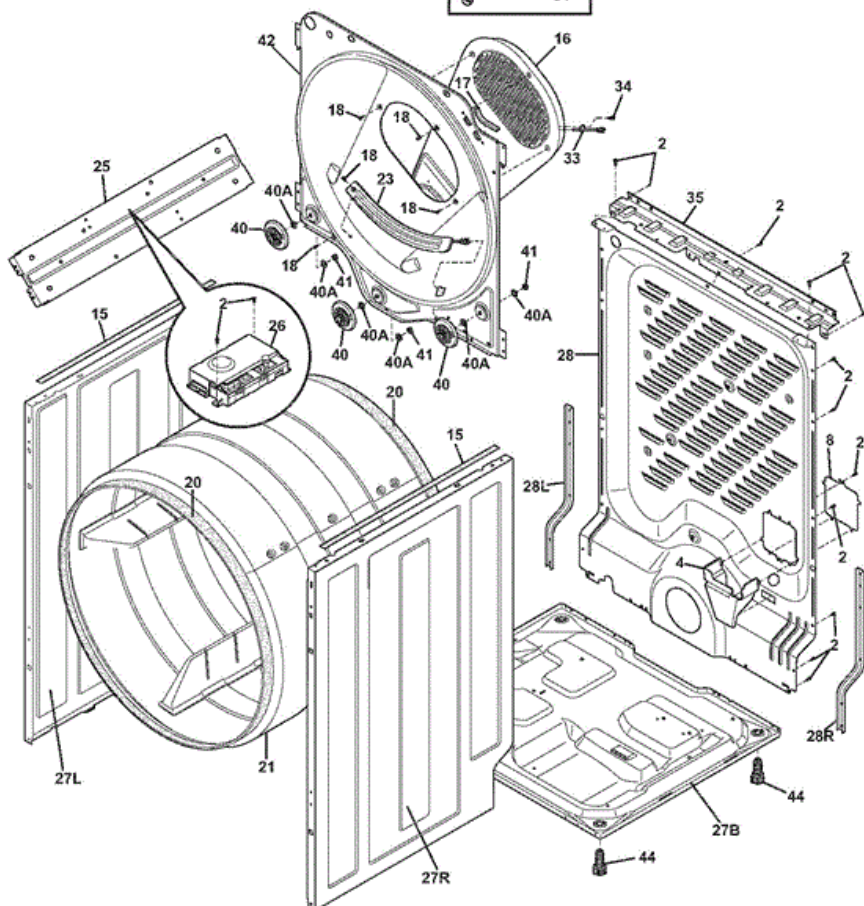
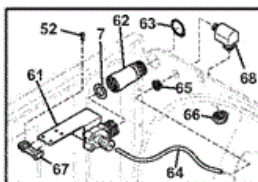
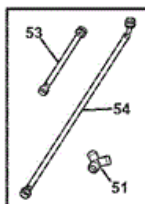
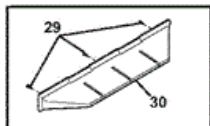


Distribuidor Autorizado

SurteRápido.com

Venta de Refacciones
Electrodomesticas

FASE7073LW0 GABINETE





FASE7073LW0 GABINETE

2	131168200	SCREW,PAN HEAD ,8-18B X 0.31
4	134792200	BRACKET,MOUNTING ,TERMINAL BLOCK
7	5303161296	WASHER-INLET HOSE
8	134694400	COVER,TERMINAL BLOCK
15	137031800	CUSHION,VIBRATION ,TOP PANEL
16	134694020	DUCT,HEAT ,REAR
17	134792900	PROTECTOR,EDGE ,RIGHT TOP FRONT ,85.0+/-1.5
18	131477000	SCREW,10-16AB X 0.375
20	134705900	SEAL,FELT ,DRUM
21	134711910	DRUM,DRYER ,ASSEMBLY 36``
23	134786100	SENSOR-MOISTURE,ASSEMBLY
25	134912100	BRACKET,MOUNTING ,MAIN CONTROL BX
26	137249910	CONTROL ASSEMBLY,MAIN ELECTRONIC
27B	134690200	BASE,DRYER
27L	134690310	PANEL,LEFT SIDE ,WHITE
27R	134690410	PANEL,RIGHT SIDE ,WHITE
28	134713213	PANEL,BACKSHEET ,REAR
28L	137029900	BRACKET,REINFORCEMENT ,LEFT ,BACKSHEET
28R	137066800	BRACKET,REINFORCEMENT ,RIGHT ,BACKSHEET
29	131205100	SCREW,NO.8 PAN HEAD ,10-10B X 0.500 ,CR/SQ
30	137116810	VANE,STRAIGHT ,GRAY
33	3204267	THERMOSTAT-SAFETY
34	131243700	SCREW, PAN HEAD, 8-18AB X 0.375
35	134959000	BRACKET, TOP PANEL MTG. ,REAR
40	134715900	ROLLER,WHEEL ,COMPLETE ASMY
40A	134716700	WASHER,FLAT
41	134716800	NUT,3/8-16
42	134712813	BULKHEAD,PANEL ,REAR
44	134158000	LEVELING LEG,SCREW
51	137016700	FITTING,``Y`` HOSE ,ADAPTER
52	131202300	SCREW,10-16AB X 0.625
53	137016800	HOSE,WATER INLET ,12``
54	137016900	HOSE,WATER INLET ,48``

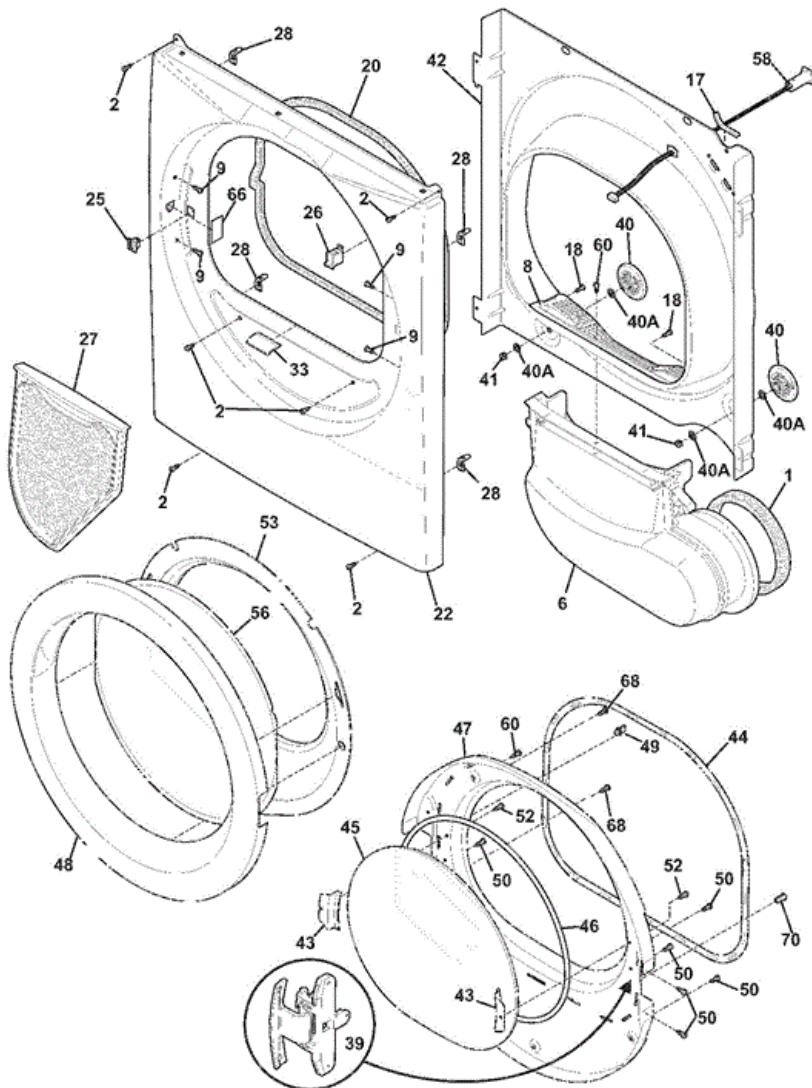
61	137016600	VALVE,WATER ,MISTER
62	134935410	ADAPTER,MIST HOSE
63	137016500	RING,RETAINING ,HOSE ADAPTER
64	137016300	TUBE,WATER VALVE TO ,VALVE TO IM ,MISTING
65	137017200	GROMMET,MISTING TUBE
66	137017300	NUT,NOZZLE
67	137017400	CLIP,MOUNTING ,WATER VALVE
68	137030100	ADAPTER,WATER NOZZLE ,COMPLETE
NI	134716200	RETAINER,ROLLER WHEEL ,ASSEMBLY
NI	134930800	HARNESS,MOISTURE SENSOR
NI	137240400	BRACE,SIDE PANEL ,LEFT OR RIGHT
NI	5308027429	ADHESIVE, HIGH TEMP

Distribuidor Autorizado

SurteRápido.com

Venta de Refacciones
Electrodomesticas

FASE7073LW0 PUERTA



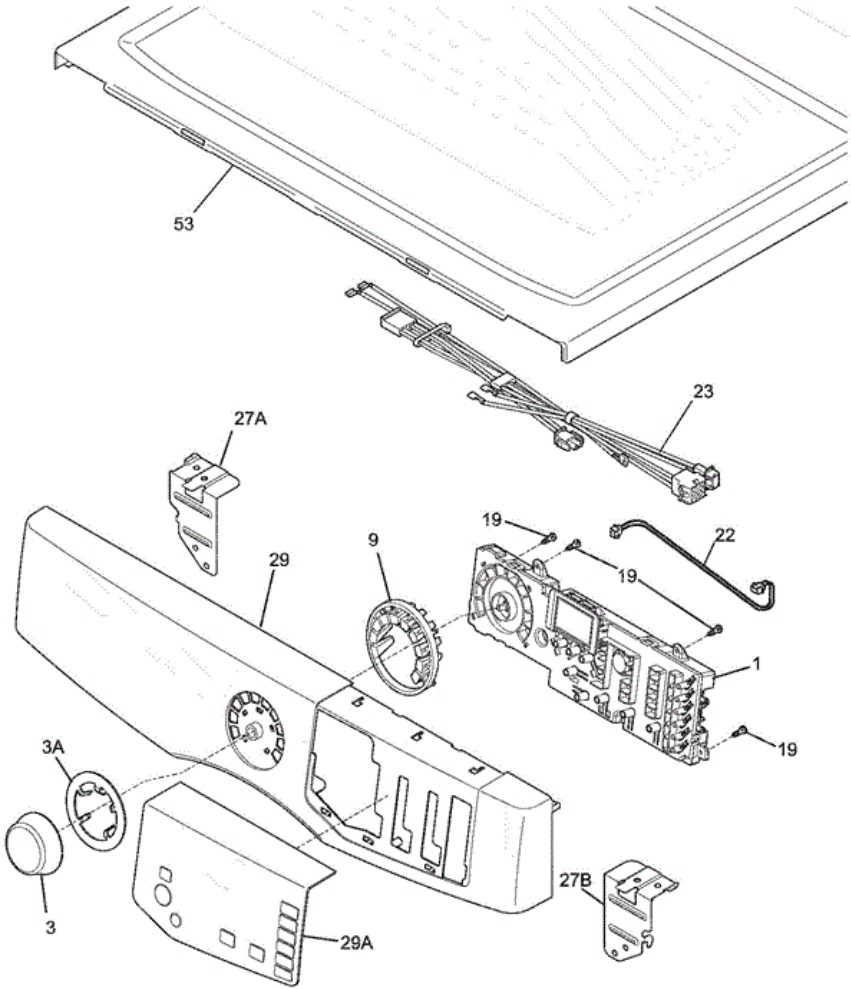


FASE7073LW0 PUERTA

1	137068200	SEAL,AIR DUCT
2	131168200	SCREW,PAN HEAD ,8-18B X 0.31
6	134710705	DUCT,AIR ,GRAY
8	134701320	COVER,LINT HOUSING
9	131633200	PLUG,WHITE
17	134792900	PROTECTOR,EDGE ,RIGHT TOP FRONT ,85.0+/-1.5
18	131477000	SCREW,10-16AB X 0.375
20	137116600	GASKET,FRONT PANEL
22	134696610	PANEL,FRONT ,WHITE
25	131658800	DOOR CATCH,UPPER
26	134813600	SWITCH,DOOR
27	134701420	FILTER,LINT ,COMPLETE
28	137034500	CLIP,MOUNTING ,CABINET FRONT
33	137067110	RAMP,GRAY ,DOOR
39	134680900	HINGE,DOOR
40	134715900	ROLLER,WHEEL ,COMPLETE ASMY
40A	134716700	WASHER,FLAT
41	134716800	NUT,3/8-16
42	134696106	BULKHEAD,PANEL ,FRONT
43	134559300	BRACKET,DOOR GLASS
44	134720902	GASKET,DOOR SEAL ,GRAY
45	134611800	GLASS,INNER DOOR
46	134580300	GASKET,DOOR GLASS ,INNER
47	134683941	PANEL,INNER DOOR ,GRAY
48	137267125	PANEL,OUTER DOOR ,CHROME
49	5303211430	DOOR STRIKE
50	131303300	SCREW,PAN HEAD ,10-16AB X 0.500 ,LOCKING
52	134529600	SCREW,INDT PAN HEAD ,8-18AB X 0.375
53	137267200	RING,DOOR TRANSITION
56	137266620	GLASS,OUTER DOOR LENS
58	134695000	LAMP,DRUM ,COMPLETE
60	134430300	SCREW,INDT PAN HEAD ,10-14 X 0.625 ,QUADREX
66	134680800	T-PLUG,HINGE HOLE

68	134742002	PLUG,HINGE HOLE ,GREY
70	134417502	PLUG,RECTANGULAR
NI	134716200	RETAINER,ROLLER WHEEL ,ASSEMBLY
NI	134793200	HARNESS,DOOR SWITCH
NI	5308027429	ADHESIVE, HIGH TEMP

FASE7073LW0 TABLERO

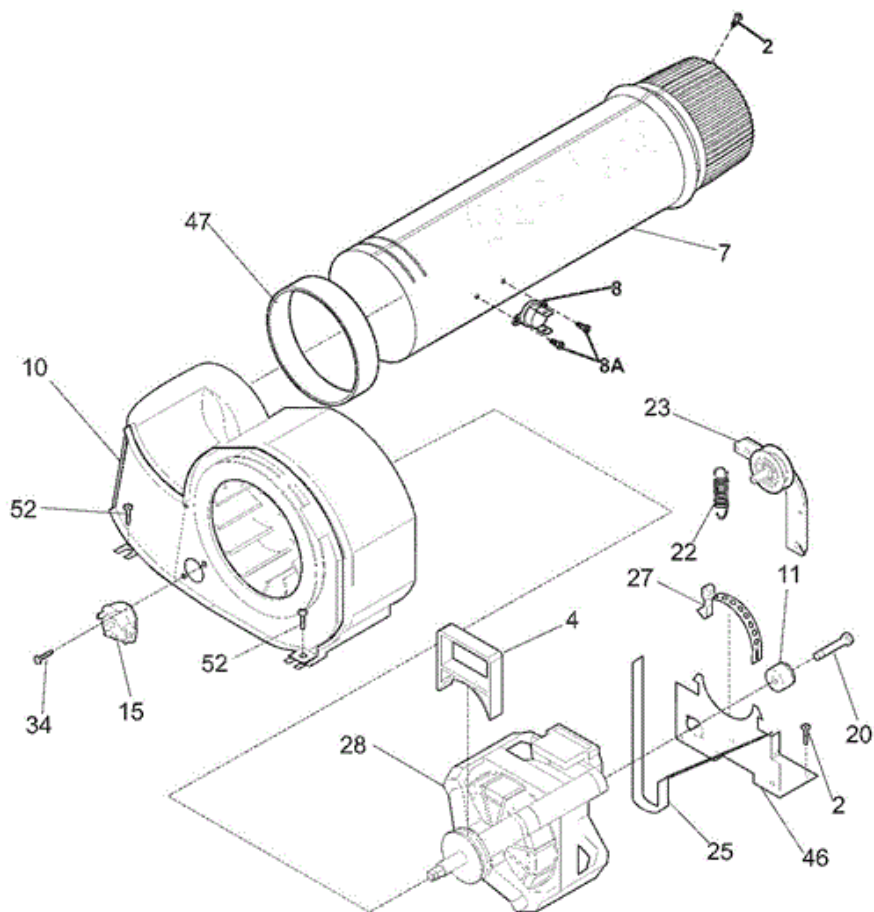




FASE7073LW0 TABLERO

1	137260610	CONTROL BOARD,PRINTED CIRCUIT
3	137286500	KNOB,CONTROL
9	137286600	PIPE,CYCLE LIGHT
19	134402900	SCREW,PHILLIPS ,6-19 X 0.650
22	134790700	HARNESS,USER INTERFACE
23	137291600	HARNESS,WIRING ,MAIN
27A	134710900	BRACKET,CONTROL PANEL ,LEFT HAND
27B	134711000	BRACKET,CONTROL PANEL ,RIGHT HAND
29	137300510	PANEL,CONTROL CONSOLE ,WHITE ,DECORATED
29A	137310310	PANEL,DISPLAY ,WHITE
3A	137296900	LENS,CYCLE INDICATOR
53	134638510	PANEL,WORK TOP ,WHITE
NI	134926600	DAMPER,SOUND
NI	137150200	TERMINAL,BLOCK KIT ,MAIN

FASE7073LW0 TURBINA

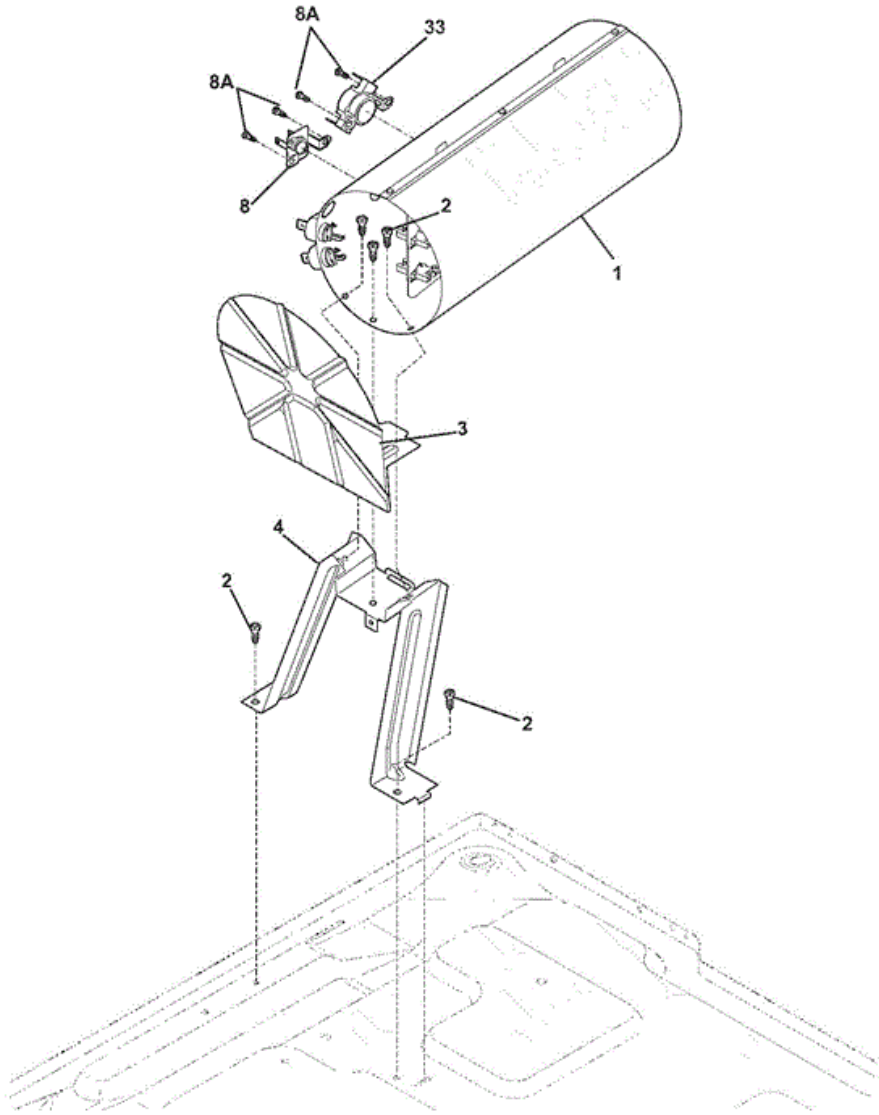




FASE7073LW0 TURBINA

2	131168200	SCREW,PAN HEAD ,8-18B X 0.31
4	131435200	LOCK,BLOWER HOUSING
7	134693900	TUBE,EXHAUST ,REAR
8	134711400	LIMITER,THERMAL ,EXHAUST ,FLUSH MOUNT
10	131775600	BLOWER ASSY,HOUSING ,W/COVER & WHEEL
11	131749800	SPACER-IDLER
15	134587700	THERMISTOR,CONTROL
20	131017900	SCREW,HEX HEAD ,1/4-20T X 1.25 ,SPACER MTG
22	131601000	SPRING,IDLER ARM
23	134793500	IDLER ARM ASSY,W/PULLEY
25	134719300	BELT,`H` ,POLY V ,5 RIB
27	134242400	CLAMP,MOTOR MTG.
28	137115900	MOTOR,DRYER DRIVE ,WITH PULLEY
34	131243700	SCREW, PAN HEAD ,8-18AB X 0.375
46	134693500	BRACKET,MOTOR MOUNTING
47	131633300	SEAL-EXHAUST TUBE
52	131202300	SCREW,10-16AB X 0.625
8A	134935200	SCREW,NO.8-32 X .25 ,W/NO.6 QUADREXPAN

FASE7073LW0 RESISTENCIA





FASE7073LW0 RESISTENCIA

1	134792700	HEATER,3 ELEMENT ,5500W
2	131168200	SCREW,PAN HEAD ,8-18B X 0.31
3	134692700	SHIELD,RADIANT ,ELECTRIC
4	134785000	BRACKET,HEATER/BURNER ,MOUNTING
8	137032600	LIMITER,THERMAL ,HEATER
33	3204267	THERMOSTAT-SAFETY
8A	134935200	SCREW,NO.8-32 X .25 ,W/NO.6 QUADREXPAN