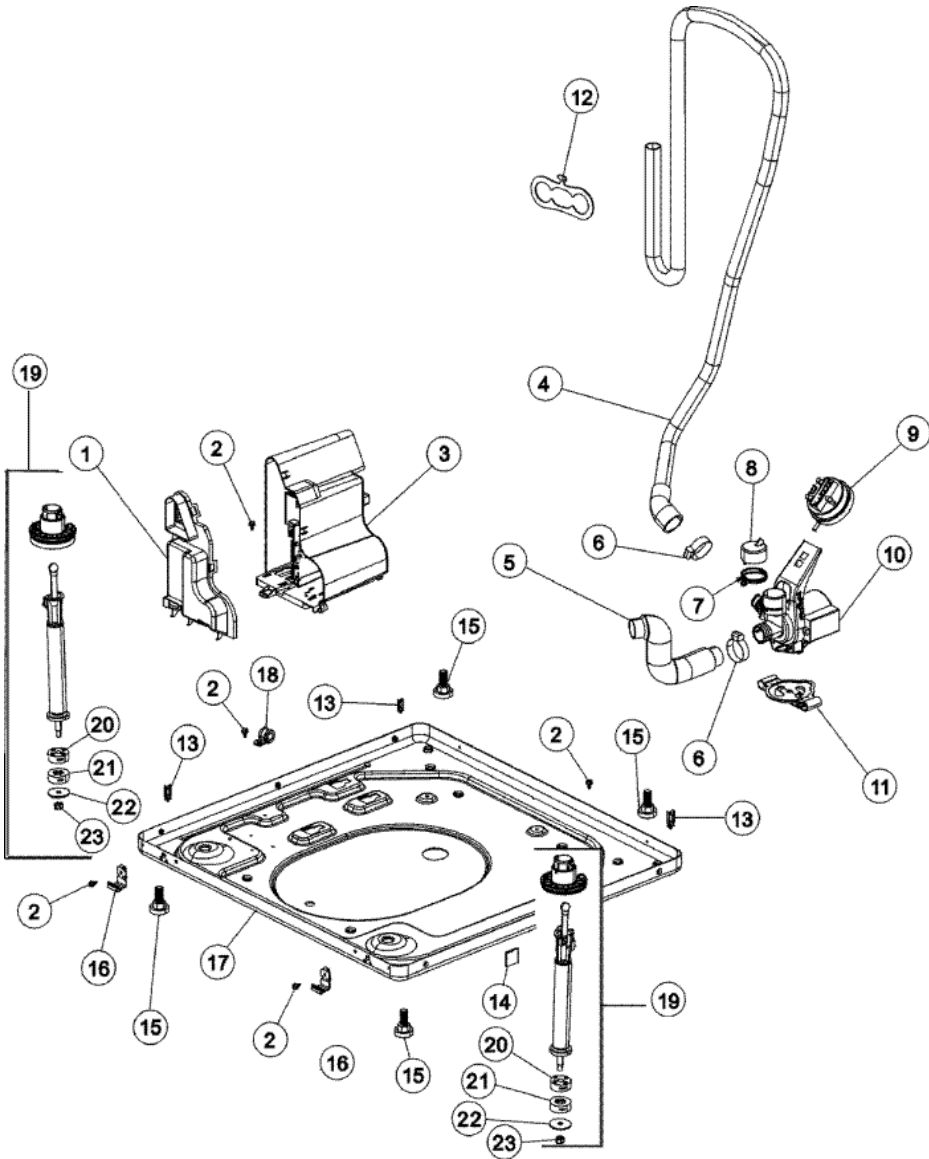


**FAV6800AWW BASE**

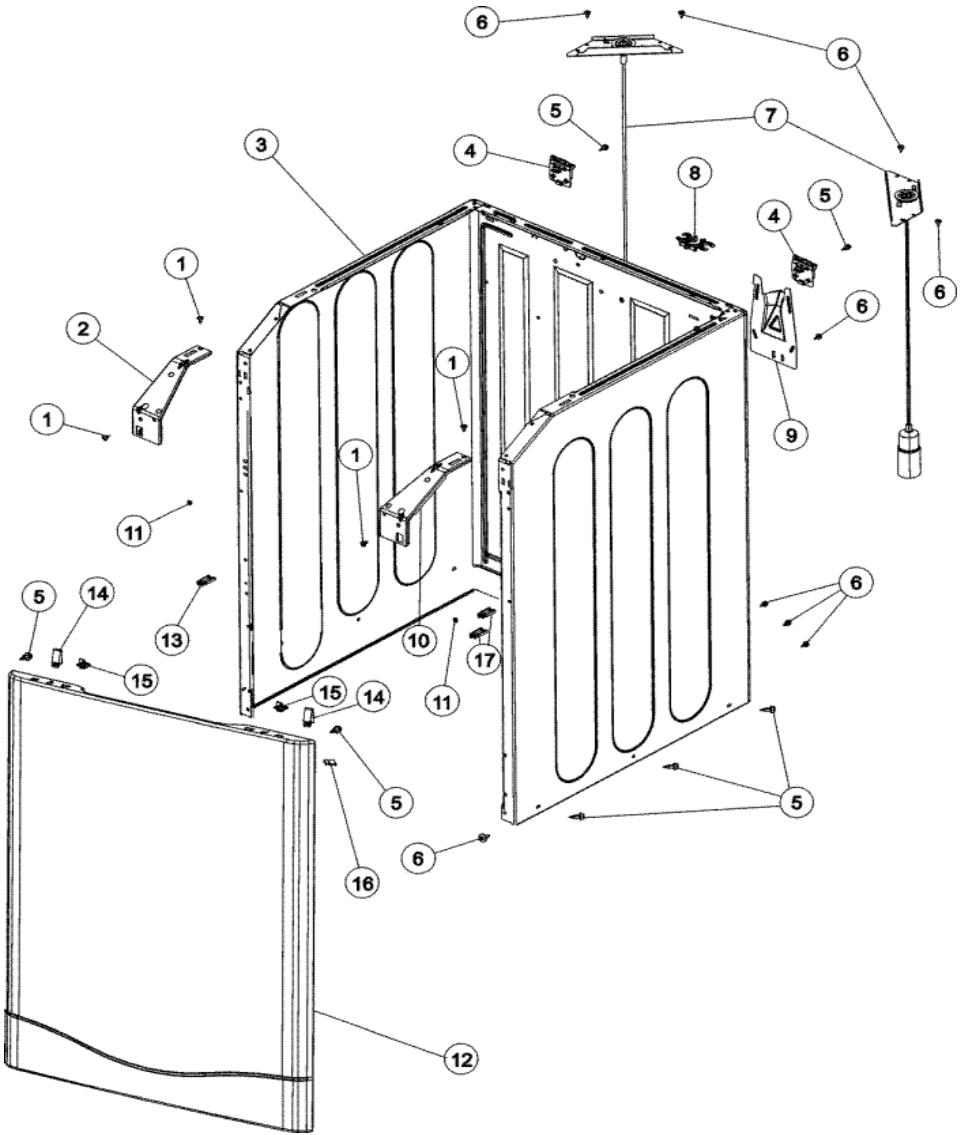




## FAV6800AWW BASE

1	25001033	DRIP SHIELD, MOTOR CONTROL (S/P)
2	33002190	SCREW (No.10-3/8``) (S/P)
3	25001079	MOTOR CONTROL ASSY W/BRKT (S/P)
4	25001050	HOSE, DRAIN (S/P)
5	25001051	HOSE, TUB TO PUMP (S/P)
6	22001984	CLAMP, DRAIN HOSE (S/P)
7	22002853	CLAMP, HOSE (S/P)
8	22003268	CAP, RUBBER (S/P)
9	25001204	PRESSURE SWITCH (TWO LEVEL) (S/P)
9	25001053	PRESSURE SWITCH (S/P)
10	25001052	PUMP ASSEMBLY
11	25001012	PUMP ISOLATOR BRACKET (S/P)
12	22002892	RETAINER, DRAIN HOSE (S/P)
13	22003298	RETAINER, WIRE (S/P)
14	22002782	PAD, FOAM (SOUND DAMPENER) (S/P)
15	25001119	FOOT & PAD ASSEMBLY (S/P)
16	22004045	CLIP, LOWER FRONT PANEL (S/P)
17	25001007	<b>DESCONTINUADO</b>
18	22004102	P CLIPS (S/P)
19	12002202	BASE STRUT ASSY - AS PK - KIT (S/P)
20	25001142	ISOLATOR, MALE (S/P)
21	25001141	STRUT ISOLATOR, MALE (S/P)
22	22002320	WASHER, STRUT (S/P)
23	22002321	NUT, LOCKING (S/P)

**FAV6800AWW GABINETE**





**FAV6800AWW GABINETE**

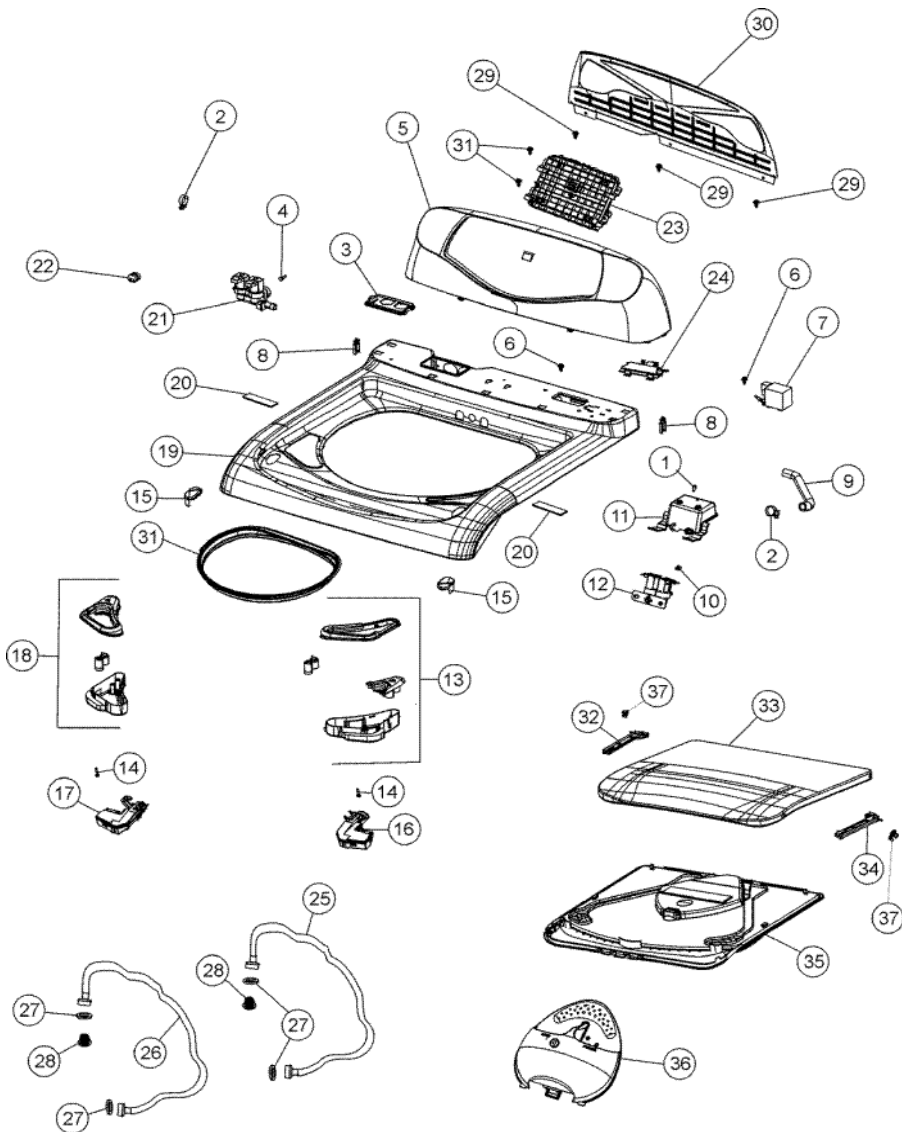
1	22003735	SCREW, No.10-16X1/2 AB TRUSS <b>(S/P)</b>
2	22002840	BRACE, CABINET (LT) <b>(S/P)</b>
3	25001077	CABINET (WHT AS PK) <b>(S/P)</b>
4	22004095	HINGE, PLASTIC
5	22001995	SCREW <b>(S/P)</b>
6	33002190	SCREW (No.10-3/8`) <b>(S/P)</b>
7	12002201	ASSY., REAR STRUT <b>(S/P)</b>
8	22002932	CLIP, DRAIN HOSE <b>(S/P)</b>
9	22002704	COVER, DRAIN HOSE <b>(S/P)</b>
10	22002839	BRACE, CABINET (RT) <b>(S/P)</b>
11	22002965	HOLE PLUG <b>(S/P)</b>
12	25001074	FRONT PANEL (WHT AS PK) <b>(S/P)</b>
13	25001178	CLIP, HARNESS <b>(S/P)</b>
14	25-7220	CLIP, CABINET TOP <b>(S/P)</b>
15	22002013	STOP, SHIPPING <b>(S/P)</b>
16	213280	FRONT PANEL BRACKET/FASTENER <b>(S/P)</b>
17	33002040	CLIP, WIRE HARNESS <b>(S/P)</b>

Distribuidor Autorizado

**SurteRápido.com**

Venta de Refacciones  
Electrodomesticas

## FAV680AWW TABLERO



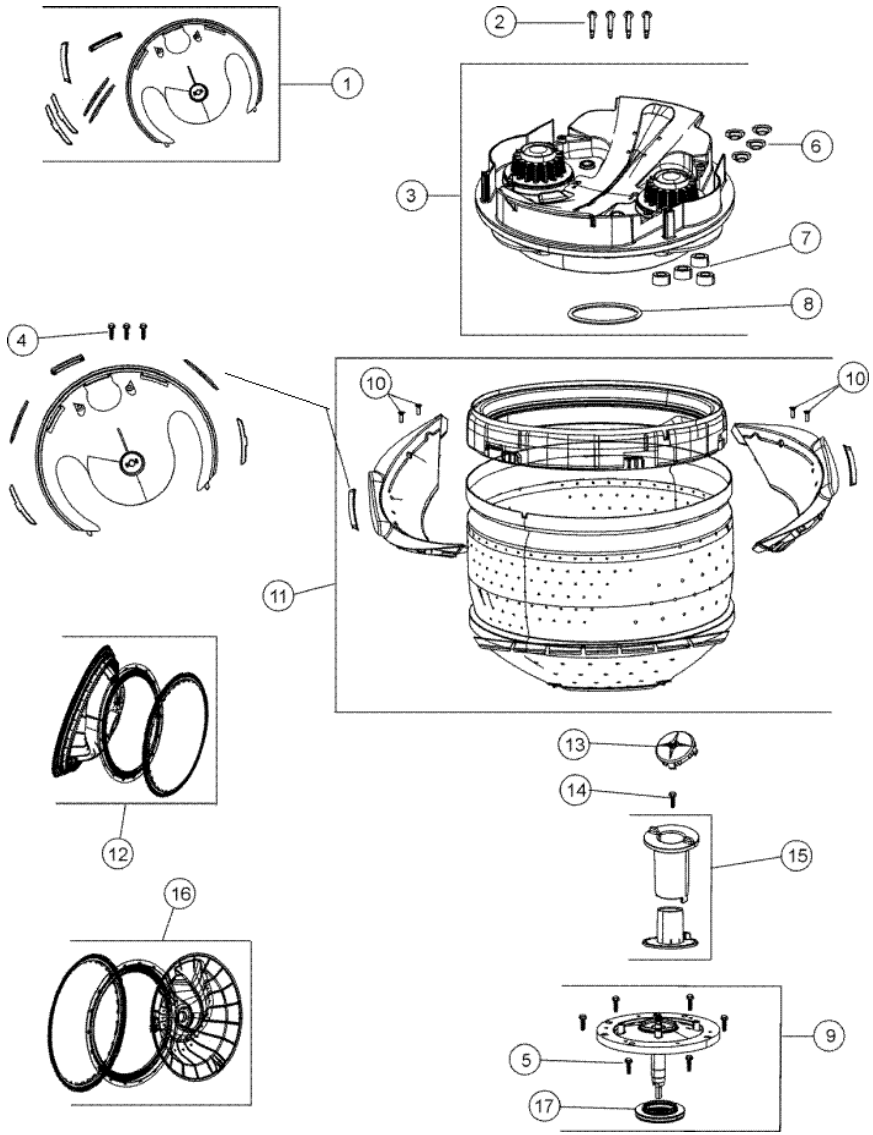


## FAV6800AWW TABLERO

1	Y310632	SCREW (S/P)
2	489503	CLAMP - 15/16" (S/P)
3	25001026	HOLE PLUG - WATER VALVE (S/P)
4	Y014874	SCREW (S/P)
5	25001206	LED CONSOLE ASSY (WHT ASPK) (S/P)
6	22003817	SCREW, SERRATED WASHER HEAD HX (S/P)
7	25001031	EMI FILTER (LINE) (S/P)
8	22003298	RETAINER, WIRE (S/P)
9	25001045	HOSE, H2O VALVE TO DISP VALVE (S/P)
10	22002300	SCREW (S/P)
11	25001023	BRACKET, DISP VALVE MTG. (S/P)
12	25001043	VALVE, DISPENSER (S/P)
13	12002564	SOFTENER DISPENSER KIT (WHT) (S/P)
14	25001028	SCREW, No.6 X 3/4 PLASTITE (S/P)
15	25001035	BUMPER (S/P)
16	25001037	LID LOCK (R.H.) (S/P)
16	25001024	LID LOCK MAGNET (S/P)
17	25001024	LID LOCK MAGNET (S/P)
17	25001048	LID LOCK (L.H.) (S/P)
18	12002565	BLEACH DISPENSER KIT (WHT) (S/P)
19	25001176	TOP COVER AS PACK (WHT) (S/P)
20	25001004	CLIP, UPPER HARNESS (S/P)
21	12002242	VALVE, WATER INLET (S/P)
22	211881	GROMMET, CORD (S/P)
23	25001217	LED MACHINE CONTROL BOARD ASSY (S/P)
24	25001025	HOLE PLUG - WIRE HARNESS (S/P)
25	89503	HOSE, 4" INLET
26	21001316	HOSE, INLET (HOT) (S/P)
27	Y013783	GASKET, INLET HOSE (S/P)
28	22002960	STRAINER, WASHER INLET (S/P)
29	22002925	SCREW (S/P)
30	33002893	PANEL, CONSOLE BACK (S/P)
31	25001179	SPLASH GUARD (S/P)

31	25001021	SCREW, No.8-16 TRUSS HD <b>(S/P)</b>
32	25001038	RETAINER, LID HINGE (L.H.) <b>(S/P)</b>
33	25001117	LID - WHT - AS PK <b>(S/P)</b>
34	25001027	RETAINER, LID HINGE (R.H.) <b>(S/P)</b>
35	25001084	INNER LID W` SEAL (WHT AS PK) <b>(S/P)</b>
36	25001098	DETERGENT DISP. ASSY. (WHT) <b>(S/P)</b>
37	22002753	BUSHING, HINGE <b>(S/P)</b>

**FAV6800AWW TINA**



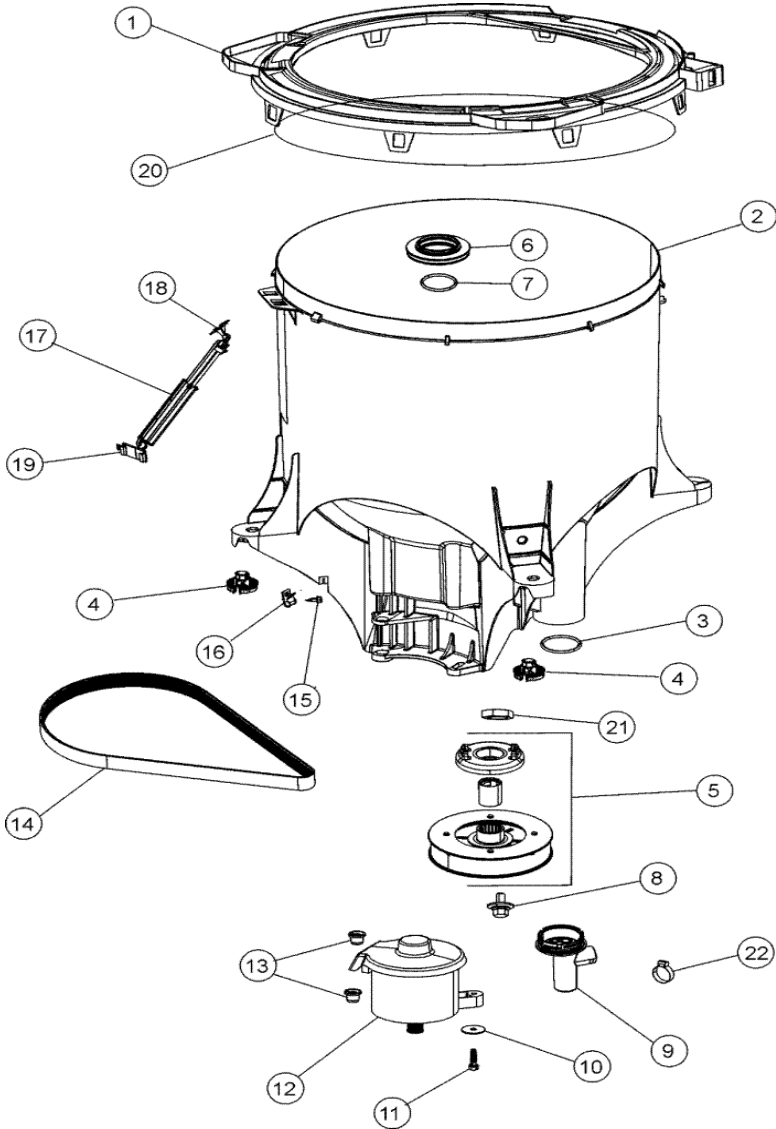




## FAV6800AWW TINA

1	12002196	LIFTER BEARING KIT <b>(S/P)</b>
2	25001059	SCREW No.8-18 1/2 C`SINK SS <b>(S/P)</b>
3	25001089	TRANSMISSION ASSY (AS PK) <b>(S/P)</b>
4	25001011	SCREW, No.8 SS <b>(S/P)</b>
5	25001091	BOLT, 5/16 <b>(S/P)</b>
6	25001104	RUBBER ISOLATOR PAD <b>(S/P)</b>
7	25001103	RUBBER ISOLATOR SLEEVE <b>(S/P)</b>
8	25001105	O-RING SEAL <b>(S/P)</b>
9	25001057	SPINNER SUPPORT ASSY (AS PK) <b>(S/P)</b>
10	25001059	SCREW No.8-18 1/2 C`SINK SS <b>(S/P)</b>
11	Y25001058	SPINNER ASSEMBLY (AS PK) <b>(S/P)</b>
12	12002203	TUMBLER ASSY. RH <b>(S/P)</b>
13	25001010	LIFTER CAP, PLASTIC <b>(S/P)</b>
14	25001011	SCREW, No.8 SS <b>(S/P)</b>
15	12002195	LIFTER FLANGE BEARING KIT <b>(S/P)</b>
16	12002204	TUMBLER ASSY. LH <b>(S/P)</b>
17	25001090	TUB SEAL <b>(S/P)</b>

**FAV6800AWW MOTOR**





## FAV6800AWW MOTOR

1	25001030	TUB COVER AS PACK <b>(S/P)</b>
1	25001224	TUB COVER AS PACK <b>(S/P)</b>
2	25001199	OUTER TUB ASSEMBLY AS PACK <b>(S/P)</b>
3	25001096	O-RING, TUB OUTLET <b>(S/P)</b>
4	25001139	BASE STRUT ASSY <b>(S/P)</b>
5	12002211	PULLEY & CLUTCH ASSY - AS PK <b>(S/P)</b>
5	25001169	ASSEMBLY; CLUTCH <b>(S/P)</b>
5	25001044	SCREW, 1/4 - 20 SHOULDER BOLT <b>(S/P)</b>
6	25001090	TUB SEAL
7	25001096	O-RING, TUB OUTLET <b>(S/P)</b>
8	25001099	BOLT, SEMS 1/4 X.5 <b>(S/P)</b>
9	25001029	SUMP CAP (LED) <b>(S/P)</b>
10	22004306	WASHER, HARDENED <b>(S/P)</b>
11	22003686	BOLT, MOTOR <b>(S/P)</b>
12	25001034	MOTOR, VARIABLE SPEED <b>(S/P)</b>
13	22003329	ISOLATOR, MOTOR <b>(S/P)</b>
14	25001054	BELT, STRETCH <b>(S/P)</b>
15	25001021	SCREW, No.8-16 TRUSS HD <b>(S/P)</b>
16	25001017	``P`` CLIP <b>(S/P)</b>
17	12002194	TUB DISPLACEMENT SENSOR KIT <b>(S/P)</b>
18	25001181	OUTER TUB SENSOR CLIP <b>(S/P)</b>
19	25001182	CABINET SENSOR CLIP <b>(S/P)</b>
20	25001180	TUB COVER SEAL <b>(S/P)</b>
21	25001036	JAM NUT <b>(S/P)</b>
22	22001984	CLAMP, DRAIN HOSE <b>(S/P)</b>