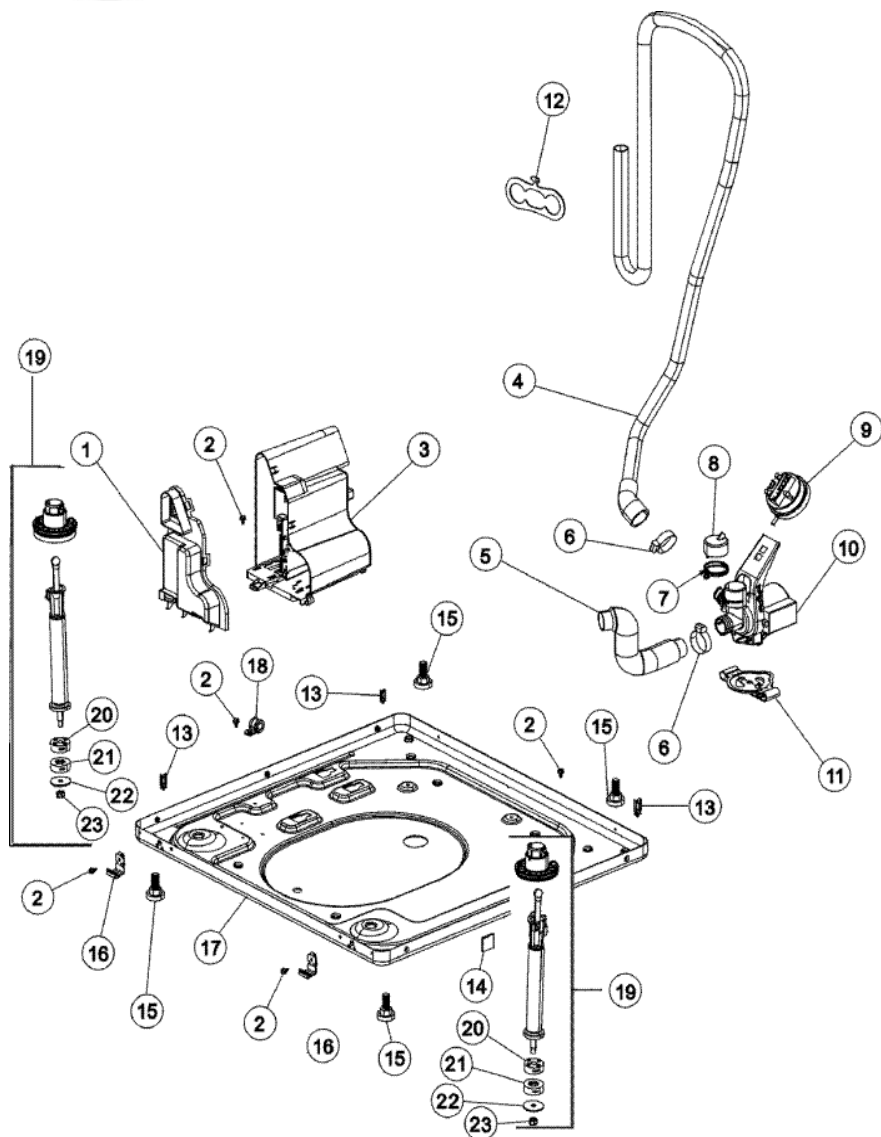


Distribuidor Autorizado

SurteRápido.com

Venta de Refacciones
Electrodomesticas

FAV9800AWW BASE

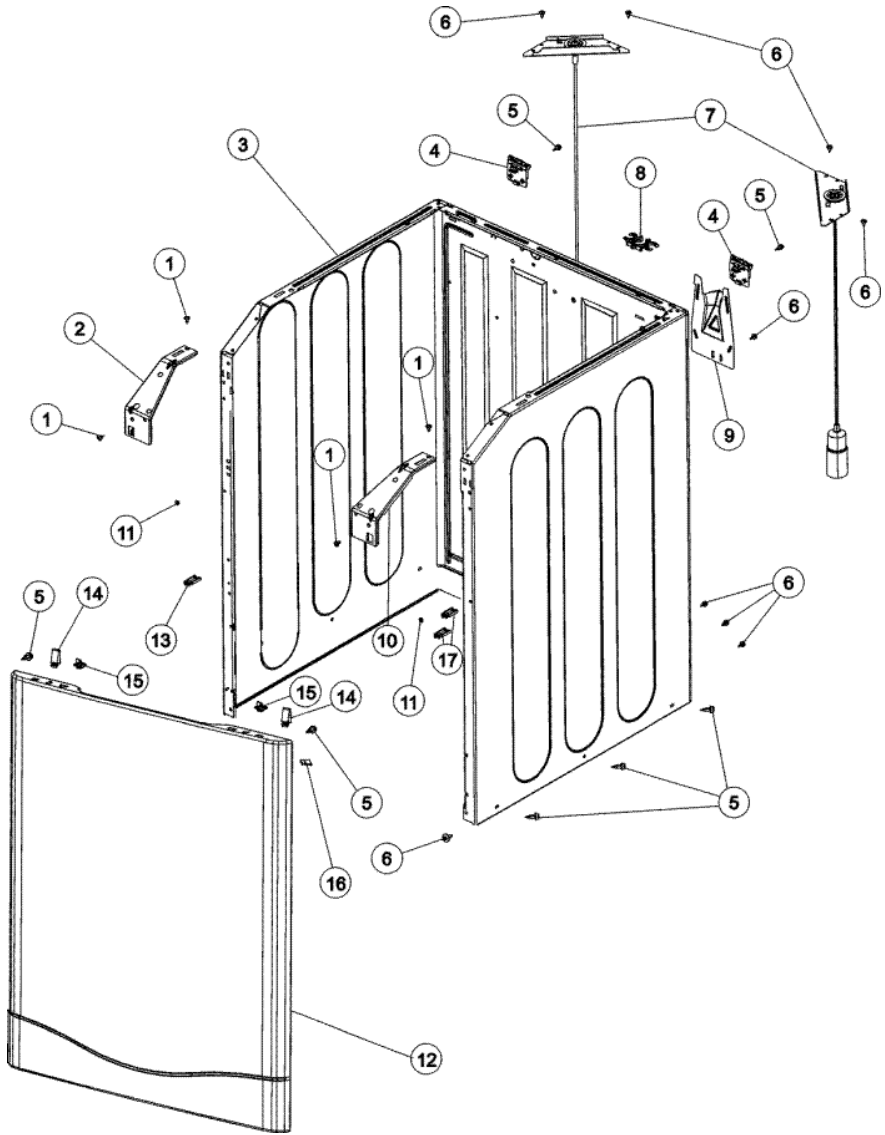




FAV9800AWW BASE

1	25001033	DRIP SHIELD, MOTOR CONTROL (S/P)
2	33002190	SCREW (No.10-3/8``) (S/P)
3	25001079	MOTOR CONTROL ASSY W/BRKT (S/P)
4	25001050	HOSE, DRAIN (S/P)
5	25001051	HOSE, TUB TO PUMP (S/P)
6	22001984	CLAMP, DRAIN HOSE (S/P)
7	22002853	CLAMP, HOSE (S/P)
8	22003268	CAP, RUBBER (S/P)
9	25001204	PRESSURE SWITCH (TWO LEVEL) (S/P)
9	25001053	PRESSURE SWITCH (S/P)
10	25001052	PUMP ASSEMBLY
11	25001012	PUMP ISOLATOR BRACKET (S/P)
12	22002892	RETAINER, DRAIN HOSE (S/P)
13	22003298	RETAINER, WIRE (S/P)
14	22002782	PAD, FOAM (SOUND DAMPENER) (S/P)
15	25001119	FOOT & PAD ASSEMBLY (S/P)
16	22004045	CLIP, LOWER FRONT PANEL (S/P)
17	25001007	DESCONTINUADO
18	22004102	P CLIPS (S/P)
19	12002202	BASE STRUT ASSY - AS PK - KIT (S/P)
20	25001142	ISOLATOR, MALE (S/P)
21	25001141	STRUT ISOLATOR, MALE (S/P)
22	22002320	WASHER, STRUT (S/P)
23	22002321	NUT, LOCKING (S/P)

FAV9800AWW GABINETE





FAV9800AWW GABINETE

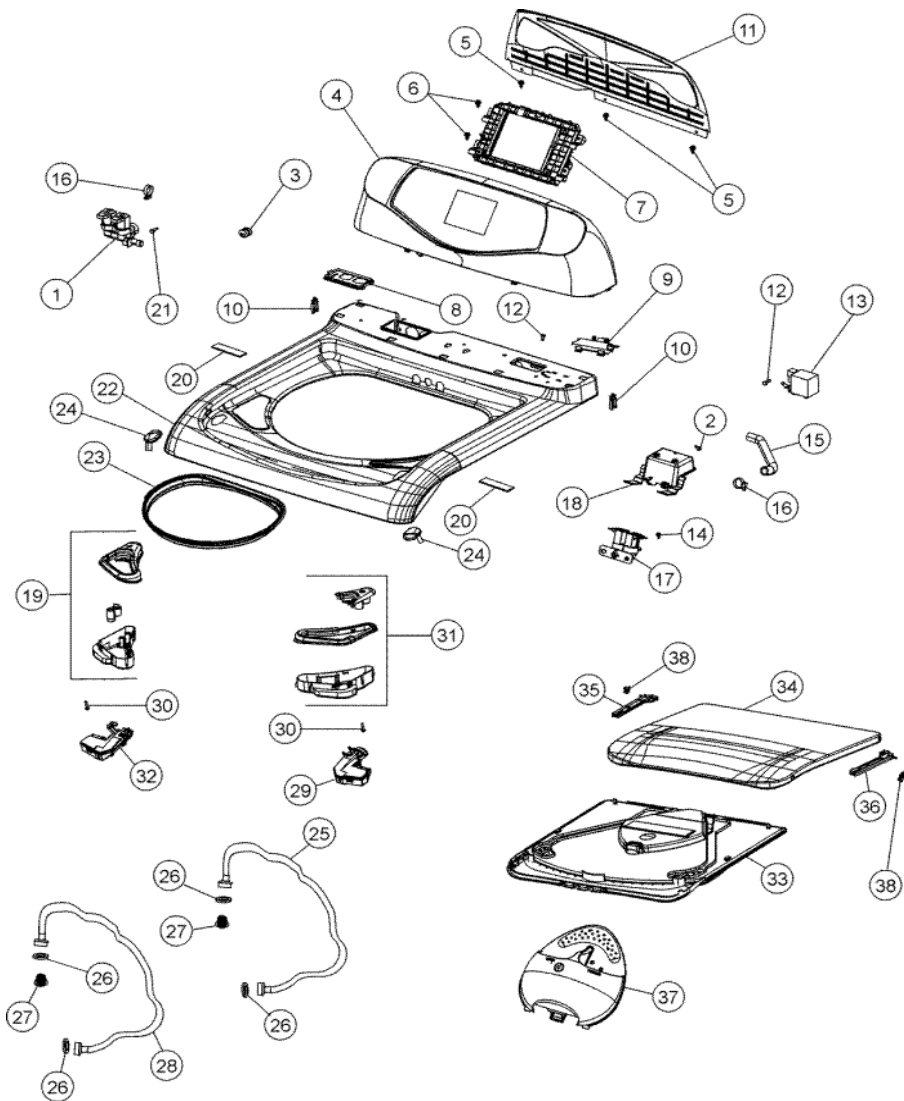
1	22003735	SCREW, No.10-16X1/2 AB TRUSS (S/P)
2	22002840	BRACE, CABINET (LT) (S/P)
3	25001077	CABINET (WHT AS PK) (S/P)
4	22004095	HINGE, PLASTIC
5	22001995	SCREW (S/P)
6	33002190	SCREW (No.10-3/8``) (S/P)
7	12002201	ASSY., REAR STRUT (S/P)
8	22002932	CLIP, DRAIN HOSE (S/P)
9	22002704	COVER, DRAIN HOSE (S/P)
10	22002839	BRACE, CABINET (RT) (S/P)
11	22002965	HOLE PLUG (S/P)
12	25001074	FRONT PANEL (WHT AS PK) (S/P)
13	25001178	CLIP, HARNESS (S/P)
14	25-7220	CLIP, CABINET TOP (S/P)
15	22002013	STOP, SHIPPING (S/P)
16	213280	FRONT PANEL BRACKET/FASTENER (S/P)
17	33002040	CLIP, WIRE HARNESS (S/P)

Distribuidor Autorizado

SurteRápido.com

Venta de Refacciones
Electrodomesticas

FAV9800AWW TABLERO



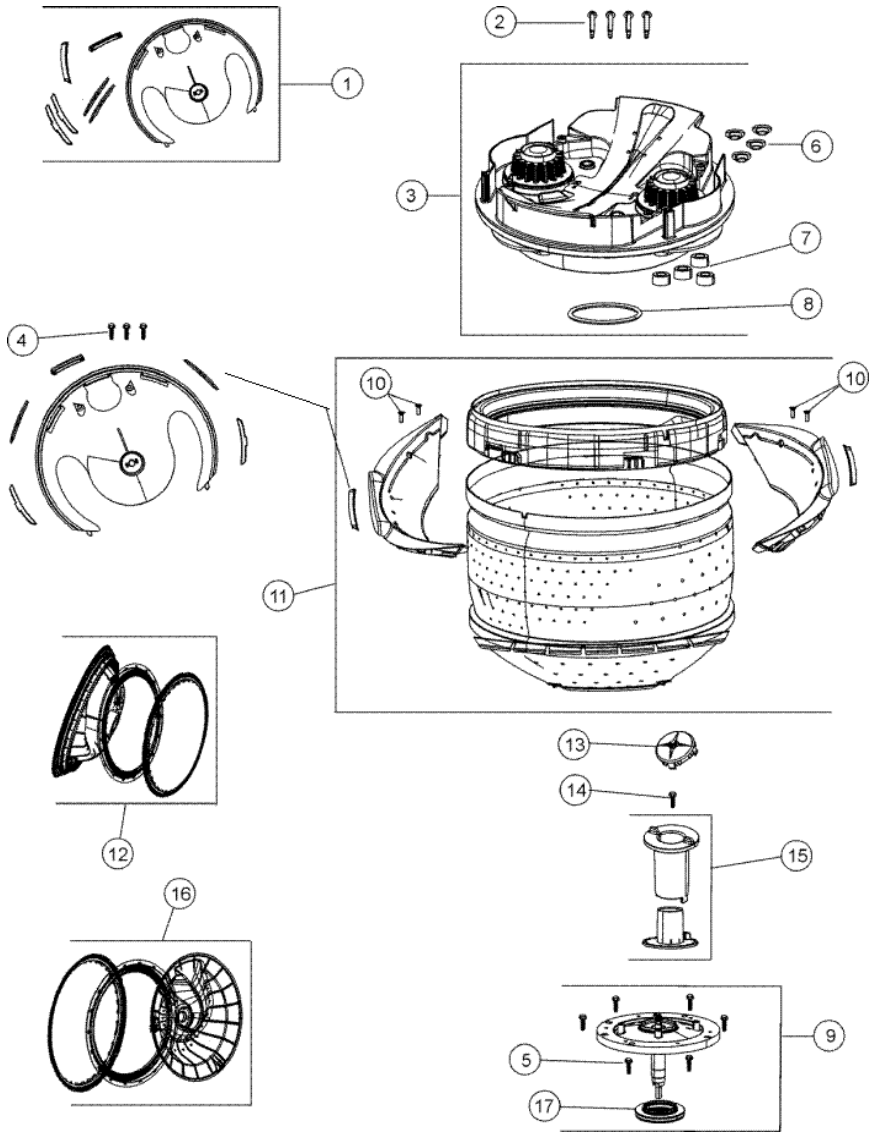


FAV9800AWW TABLERO

1	12002242	VALVE, WATER INLET (S/P)
2	Y310632	SCREW (S/P)
3	2-11881	GROMMET, CORD
4	25001120	LCD CONSOLE ASSY (WHT) (S/P)
4	25001208	LCD CONSOLE ASSY (WHT) (S/P)
5	22002925	SCREW (S/P)
6	25001021	SCREW, No.8-16 TRUSS HD (S/P)
7	25001218	CONTROL BOARD / LCD NTL (S/P)
8	25001026	HOLE PLUG - WATER VALVE (S/P)
9	25001025	HOLE PLUG - WIRE HARNESS (S/P)
10	22003298	RETAINER, WIRE (S/P)
11	33002893	PANEL, CONSOLE BACK (S/P)
12	22003817	SCREW, SERRATED WASHER HEAD HX (S/P)
13	25001031	EMI FILTER (LINE) (S/P)
14	22002300	SCREW (S/P)
15	25001045	HOSE, H2O VALVE TO DISP VALVE (S/P)
16	489503	CLAMP - 15/16`` (S/P)
17	25001043	VALVE, DISPENSER (S/P)
17	25001207	MEMBRANE SWITCH (S/P)
18	25001023	BRACKET, DISP VALVE MTG. (S/P)
19	12002565	BLEACH DISPENSER KIT - WHT (S/P)
20	25001004	CLIP, UPPER HARNESS (S/P)
21	Y014874	SCREW (S/P)
22	25001176	TOP COVER AS PACK (WHT) (S/P)
23	25001179	SPLASH GUARD (S/P)
24	25001035	BUMPER (S/P)
25	89503	HOSE, 4` INLET
26	Y013783	GASKET, INLET HOSE (S/P)
27	22002960	STRAINER, WASHER INLET (S/P)
28	21001316	HOSE, INLET (HOT) (S/P)
29	25001037	LID LOCK (R.H.) (S/P)
29	25001024	LID LOCK MAGNET (S/P)
30	25001028	SCREW, No.6 X 3/4 PLASTITE (S/P)

31	12002564	SOFTENER DISPENSER KIT-WHT (S/P)
32	25001024	LID LOCK MAGNET (S/P)
32	25001048	LID LOCK (L.H.) (S/P)
33	25001084	INNER LID W` SEAL (WHT AS PK) (S/P)
34	25001117	LID - WHT - AS PK (S/P)
35	25001038	RETAINER, LID HINGE (L.H.) (S/P)
36	25001027	RETAINER, LID HINGE (R.H.) (S/P)
37	25001098	DETERGENT DISP. ASSY. (WHT) (S/P)
38	22002753	BUSHING, HINGE (S/P)

FAV9800AWW TINA

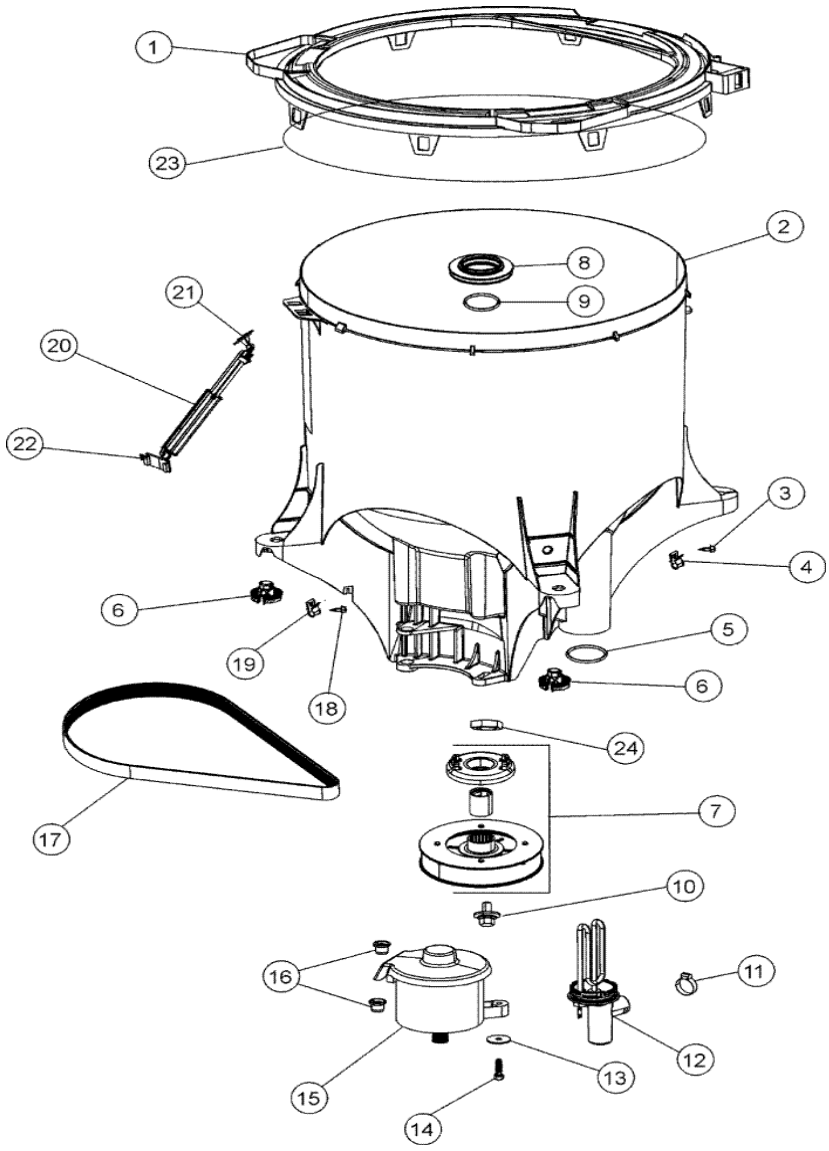




FAV9800AWW TINA

1	12002196	LIFTER BEARING KIT (S/P)
2	25001059	SCREW No.8-18 1/2 C` SINK SS (S/P)
3	25001089	TRANSMISSION ASSY (AS PK) (S/P)
4	25001011	SCREW, No.8 SS (S/P)
5	25001091	BOLT, 5/16 (S/P)
6	25001104	RUBBER ISOLATOR PAD (S/P)
7	25001103	RUBBER ISOLATOR SLEEVE (S/P)
8	25001105	O-RING SEAL (S/P)
9	25001057	SPINNER SUPPORT ASSY (AS PK) (S/P)
10	25001059	SCREW No.8-18 1/2 C` SINK SS (S/P)
11	Y25001058	SPINNER ASSEMBLY (AS PK) (S/P)
12	12002203	TUMBLER ASSY. RH (S/P)
13	25001010	LIFTER CAP, PLASTIC (S/P)
14	25001011	SCREW, No.8 SS (S/P)
15	12002195	LIFTER FLANGE BEARING KIT (S/P)
16	12002204	TUMBLER ASSY. LH (S/P)
17	25001090	TUB SEAL

FAV9800AWW MOTOR





FAV9800AWW MOTOR

1	25001030	TUB COVER AS PACK (S/P)
1	25001224	TUB COVER AS PACK (S/P)
2	25001199	OUTER TUB ASSEMBLY AS PACK (S/P)
3	33002190	SCREW (No.10-3/8``) (S/P)
4	22004102	P CLIPS (S/P)
5	25001096	O-RING, TUB OUTLET (S/P)
6	25001139	BASE STRUT ASSY (S/P)
7	25001169	ASSEMBLY; CLUTCH (S/P)
7	12002211	PULLEY & CLUTCH ASSY - AS PK (S/P)
8	25001090	TUB SEAL
9	25001096	O-RING, TUB OUTLET (S/P)
10	25001099	BOLT, SEMS 1/4 X.5 (S/P)
11	22001984	CLAMP, DRAIN HOSE (S/P)
12	12002208	HEATER ASSY - AS PACK (S/P)
13	22004306	WASHER, HARDENED (S/P)
14	22003686	BOLT, MOTOR (S/P)
15	25001034	MOTOR, VARIABLE SPEED (S/P)
16	22003329	ISOLATOR, MOTOR (S/P)
17	25001054	BELT, STRETCH (S/P)
18	25001021	SCREW, No.8-16 TRUSS HD (S/P)
19	25001017	``P`` CLIP (S/P)
20	12002194	TUB DISPLACEMENT SENSOR KIT (S/P)
21	25001181	OUTER TUB SENSOR CLIP (S/P)
22	25001182	CABINET SENSOR CLIP (S/P)
23	25001180	TUB COVER SEAL (S/P)
24	25001036	JAM NUT (S/P)