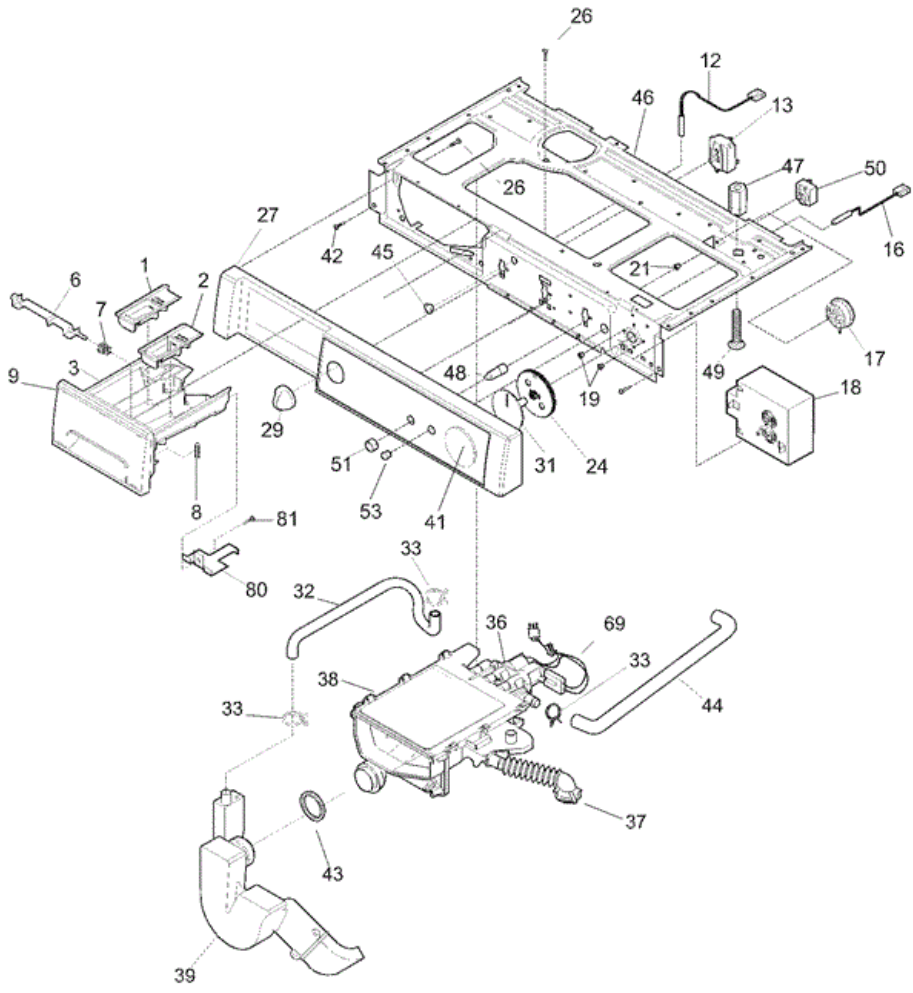


FCCW3000ES0 TABLERO



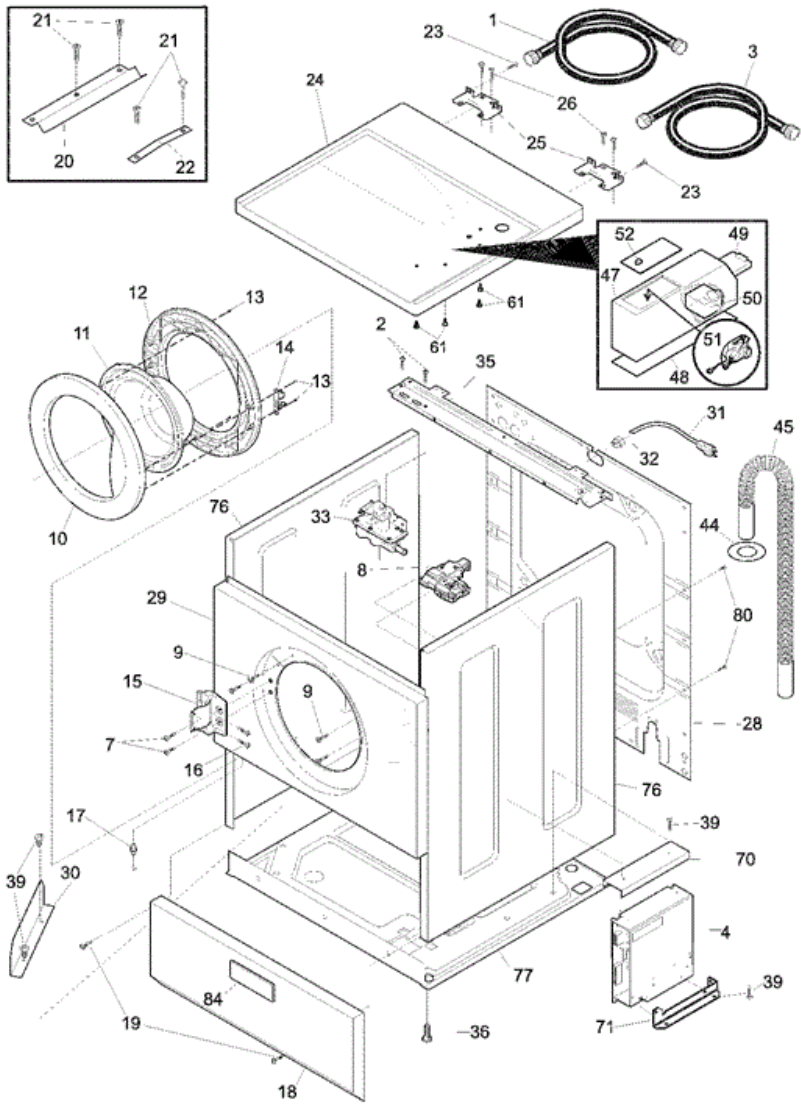


FCCW3000ES0 TABLERO

1	131272100	COVER-BLEACH
2	131272000	COVER-SOFTENER
3	131271910	DRAWER,DISPENSER
6	131374500	LATCH,DISP DRAWER HDL
7	131427500	SPRING
8	131373800	MAGNET
9	131691266	HANDLE/DRAWER ASSY,W/TRIM
16	131724700	LAMP,STATUS LIGHT
19	131243800	SCREW,PAN HD LOCKING ,8-32CA X 0.375 ,CUP POINT
21	131243700	SCREW, PAN HEAD, 8-18AB X 0.375
24	134549100	CAM,TIMER
26	131823400	SCREW,8-18 X 2.00
27	131691033	CONSOLE,FRAME/TRIM ASSY
29	131264500	KNOB,ROTARY ,WHITE
31	134549201	DIAL,TIMER INDICATOR
32	131786100	HOSE,SIPHON/VALVE
33	131306216	CLAMP
37	131271600	HOSE-TUB
38	131803710	DISPENSER ASSY
39	131863300	SIPHON
41	131696601	LENS,TIMER POINTER
42	131168200	SCREW,PAN HEAD ,8-18B X 0.31
43	131749200	GASKET-SEAL
44	131786000	HOSE-DISPENSER
45	5303321107	BUSHING,IDLER
46	134191412	PANEL,CONTROL MTG. ,WING BEND
47	131981900	SPACER,SECURITY
48	131686000	EXTENSION,SWITCH SHAFT ,PUSH-TO-START
49	131686601	BOLT,CARRIAGE ,3/8-16 X 3.50
51	131970200	BUTTON,PUSH/START ,WHITE
53	131724800	LENS,STATUS LIGHT ,CLEAR
80	131734300	CATCH,DRAWER
81	131302800	SCREW,10-16AB X 0.375

F12	131505902	SWITCH, REED
F13	131656600	SWITCH, WATER TEMP.
F17	134433701	SWITCH, PRESSURE
F18	134568800	TIMER
F36	131974700	VALVE, DISPENSER ,W/SEAL
F50	131048000	SWITCH, PUSH-TO-START
F69	134580400	WIRING HARNESS, MAIN
NI	131307900	CLAMP, SIPHON/BELLOWS
NI	131931201	DAMPENER, VIBRATION ,3.5 X 2 X 2 IN. ,FOAM

FCCW3000ES0 GABINETE



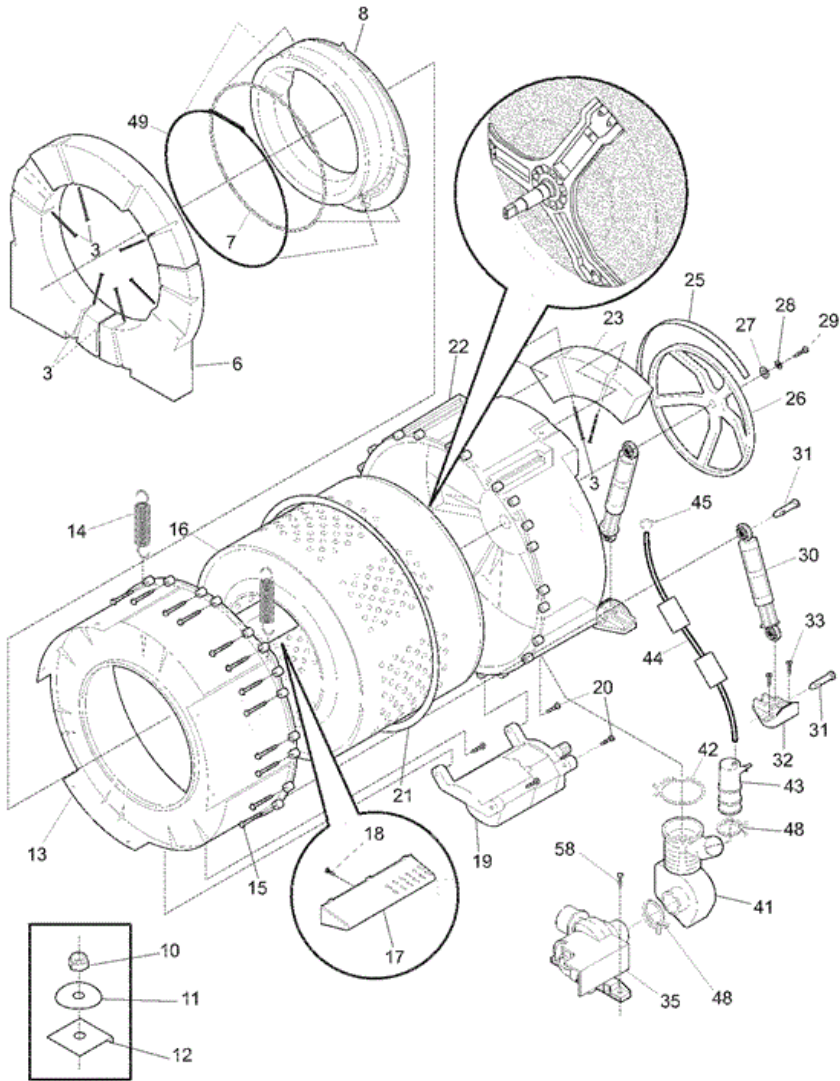


FCCW3000ES0 GABINETE

1	131279602	HOSE,WATER INLET ,COLD
2	131168200	SCREW,PAN HEAD ,8-18B X 0.31
3	131279603	HOSE,WATER INLET ,HOT
7	131205300	SCREW,10-16 X 0.750
9	131303300	SCREW,PAN HEAD ,10-16AB X 0.500 ,LOCKING
10	131278700	FRAME,OUTER DOOR ,WHITE
11	131278800	PANEL,DOOR GLASS
12	131278900	FRAME,INNER DOOR ,WHITE
13	131302901	SCREW,10-16 X 0.750
14	131763310	STRIKER,DOOR/LOCK/SW
15	134264600	HINGE,DOOR
16	131696300	SCREW,QUAD PAN HEAD ,10-16 X 0.312
17	131346400	PIN,PANEL LOCATOR
18	131279300	PANEL,SERVICE ,WHITE ,FRONT
19	131358400	SCREW,HEX WASHER HD ,8-18AB X 1.125
20	131460900	BRACKET,TOP PANEL MTG. ,FRONT
21	131243700	SCREW, PAN HEAD, 8-18AB X 0.375
22	131279500	RETAINER,SPRING STEEL
23	131243800	SCREW,PAN HD LOCKING ,8-32CA X 0.375 ,CUP POINT
24	134086852	PANEL,WHITE ,TOP ,COIN-OP
25	131668200	BRACKET,TOP PANEL MTG.
26	131662200	SCREW,8-18AB X 0.500 ,6 LOBE
28	131978500	PANEL-BACK
29	131752030	PANEL,CABINET FRONT ,WHITE
30	131859600	SHIELD-OVERFLOW
32	5303209428	BUSHING,POWER CORD
35	131732902	BRACKET,REINFORCEMENT ,TOP REAR
36	131841600	LEVELING LEG ASSY,BOLT,PAD & NUT
39	134178901	SCREW,8-18AB X 0.455
44	131707800	RING-DRAIN HOSE
45	134049200	HOSE-DRAIN
48	134028000	GASKET,METER HOUSING
49	5304458424	COIN TRAY,SLIDING , \$1.00 INPUT

50	5304458423	COIN BOX,WITH 2 KEYS
61	131901700	SCREW,MCN POINT ,1/4-20 ,(4)
70	134048600	SHIELD,DRIP PROTECTOR
71	134048400	BASE,CONTROLLER MTG
76	134390701	PANEL,SIDE ,WHITE ,RS/LS ,(2)
77	131458240	BASE PLATE
80	134547800	SCREW,10-16AB X 0.375
84	297073400	NAMEPLATE,COMMERCIAL ,STAINLESS
F31	134501000	POWER CORD,ELECTRIC SVCE
F33	5303207418	VALVE-WATER
F4	134149200	CONTROLLER ASSY,SPEED ,W/BASE & SHIELD
F47	134308600	HOUSING,COIN METER ,ASSEMBLY
F51	5304458426	START MECHANISM,WASHER
F52	5304458427	LOCK,SERVICE DOOR ,WITH KEY
F8	131763200	DOOR LOCK/SWITCH ASSY
NI	5303937142	SHIPPING BRACE KIT
NI	5304458428	KEY,LOCK ,SERVICE DOOR
NI	5304458429	INSERT,BLOCK-OUT KEY ,COIN SLOT
NI	5304458430	ADAPTER,10 CENT ,COIN SLOT

FCCW3000ES0 TAMBOR





FCCW3000ES0 TAMBOR

3	131793302	BOLT,CARRIAGE ,1/4-20 X 4.00
6	131975300	COUNTERWEIGHT,ONE PIECE
7	131277300	SPRING,BOOT RETAINER
8	134177600	BELLOWS,DOOR BOOT
10	131304700	NUT,HEX ,1/4-20 UNC-2B ,(2)
11	131276900	WASHER,BELLVILLE ,SPRING STEEL
12	131793500	PLATE,COUNTERWEIGHT
13	131618600	SHELL,OUTER TUB ,FRONT
14	134144700	SPRING ASSY,SUSPENSION ,W/SLEEVES
15	131303900	SCREW,HEX WASHER HEAD ,1/4-10A X 2.165
16	131618500	DRUM ASSY,SPIN BASKET
17	131274600	VANE
18	131302800	SCREW,10-16AB X 0.375
20	131303500	SCREW,12-14AB X 1.50 ,MOTOR MTG.
21	134146100	O-RING-TUB
22	131462800	SHELL,OUTER TUB ,REAR ,WITH BEARING
23	134125900	COUNTERWEIGHT,DRUM REAR
27	131304400	WASHER,0.41 X 1.50 ,0.12 THICK
28	131304500	WASHER-LOCK,3/8
29	131303700	SCREW,PULLEY MTG. ,M10 X 0.92 ,METRIC
30	131268200	SHOCK ABSORBER,AIR ,STABILIZER
31	131268300	PIN,SHOCK MTG.
32	131268100	BRACKET,SHOCK MTG.
33	134532200	SCREW,10-16AB X 0.500
41	134044200	HOSE-COIN TRAP-TUB TO PUMP
42	131333101	CLAMP
43	131277500	CHAMBER-AIR
44	131277600	HOSE,AIR PRESSURE
45	131306202	CLAMP,HOSE
48	131306234	CLAMP,HOSE ,WIRE
49	134266500	CLAMP,BELLOWS/BOOT ,0.059 OD WIRE
58	134160900	SCREW,WASHER HD ,10-16AB X 0.75
F19	131770600	MOTOR

F25	134051000	BELT,DRIVE ,6-RIB
F26	131883400	PULLEY,DRUM DRIVE ,LARGE ,REAR
F35	134051100	PUMP,DRAIN
NI	131560000	SLEEVE,PROTECTOR ,LWR SPRING HOOK
NI	131592200	SLEEVE,PROTECTOR ,UPR SPRING HOOK