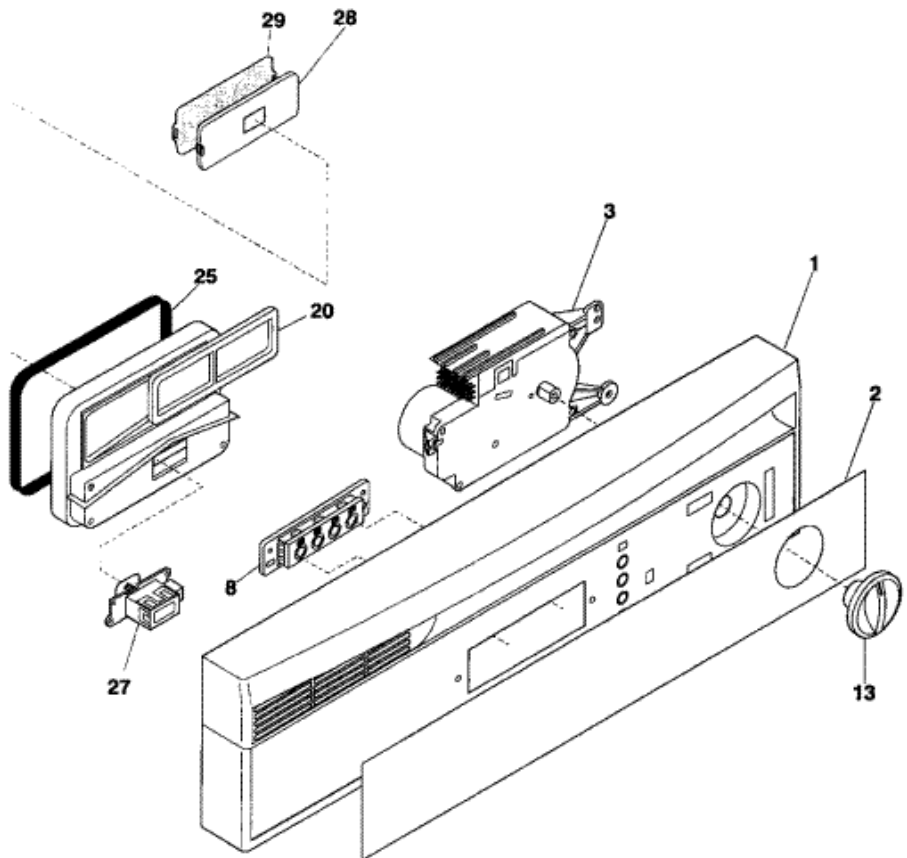


**FDB421RFS8 CONTROL PANEL**

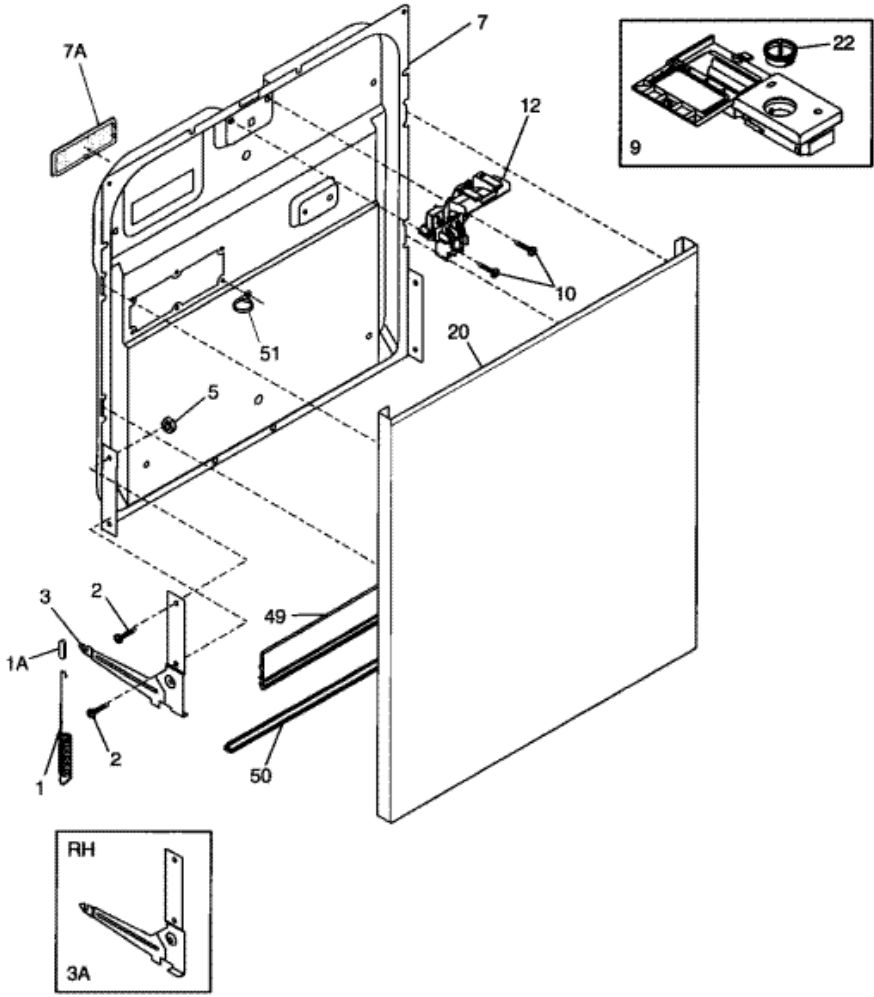




## FDB421RFS8 CONTROL PANEL

1	154368201	PANEL,CONTROL ,WHITE (S/P)
2	154235101	INSERT,CONTROL PANEL ,WHITE (S/P)
13	154239501	<b>DESCONTINUADO</b>
20	154345101	VAPOR CHAMBER ASSY,W/VENT GASKET (S/P)
25	154229201	SEAL,CHAMBER (S/P)
27	154226701	ACTUATOR,WAX (S/P)
28	154226901	<b>DESCONTINUADO</b>
29	154226401	GASKET,VALVE (S/P)
F8	154215101	SWITCH,SELECTOR ,4 PAD (S/P)
F3	154409102	TIMER (S/P)

**FDB421RFS8 DOOR**





## FDB421RFS8 DOOR

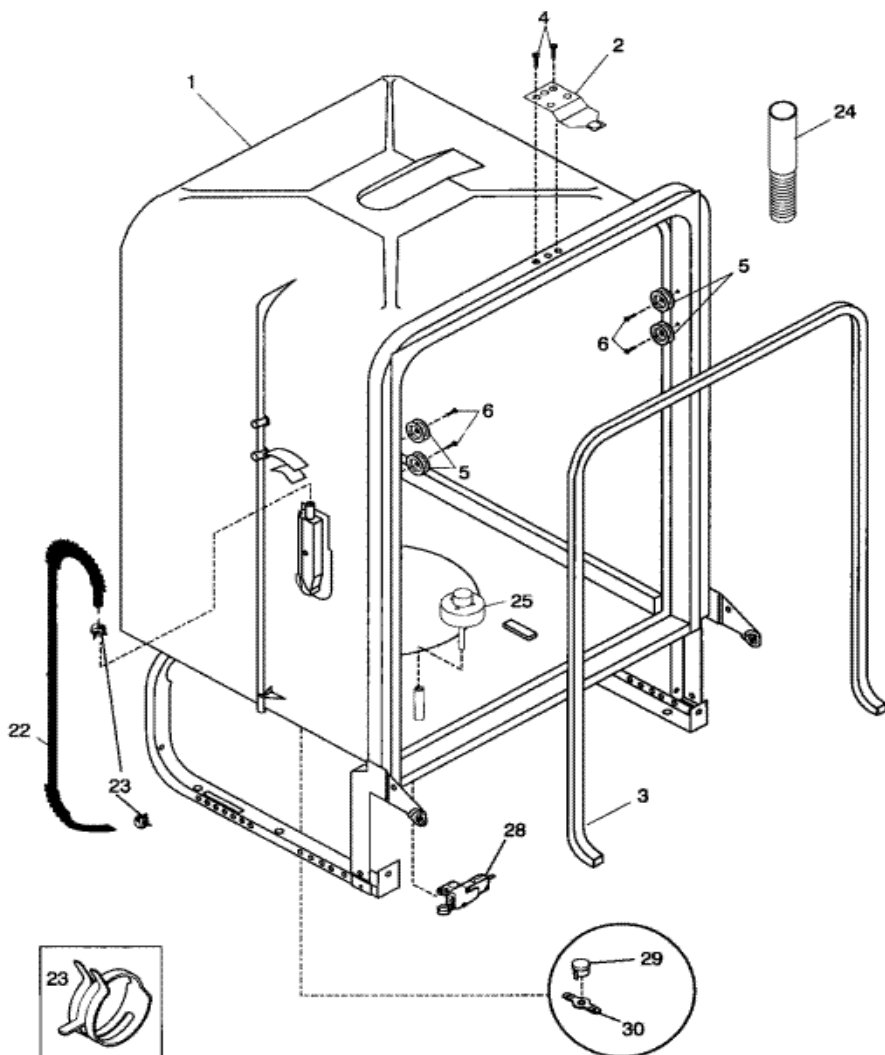
1	154430501	SPRING,DOOR ,(2) <b>(S/P)</b>
2	154093301	SCREW,ARM ASSY ,(4) <b>(S/P)</b>
3	5304409913	ARM ASSY,LH <b>(S/P)</b>
5	5303013272	NUT,ARM ASSY ,(4) <b>(S/P)</b>
7	154228502	DOOR,INNER ASSY <b>(S/P)</b>
9	154574401	DISPENSER,DET/RINSE AID ,INCLUDES NO.22 <b>(S/P)</b>
10	154103702	SCREW,LATCH MTG ,(2) <b>(S/P)</b>
20	154359105	DOOR,WHITE <b>(S/P)</b>
22	154388802	CAP,RINSE AID <b>(S/P)</b>
49	154759101	GASKET,DOOR ,BOTTOM <b>(S/P)</b>
50	154211401	SUPPORT,DOOR HINGE <b>(S/P)</b>
51	154320301	CLAMP,DRIP LOOP ,WIRE <b>(S/P)</b>
1A	154325201	LINKAGE,DOOR SPRING ,(2) <b>(S/P)</b>
F12	5304442173	LATCH ASSY,WHITE
3A	5304409912	ARM ASSY,RH <b>(S/P)</b>
7A	154226601	GRATE,LINER <b>(S/P)</b>

Distribuidor Autorizado

SurteRápido.com

Venta de Refacciones  
Electrodomesticas

FDB421RFS8 TUB





**FDB421RFS8 TUB**

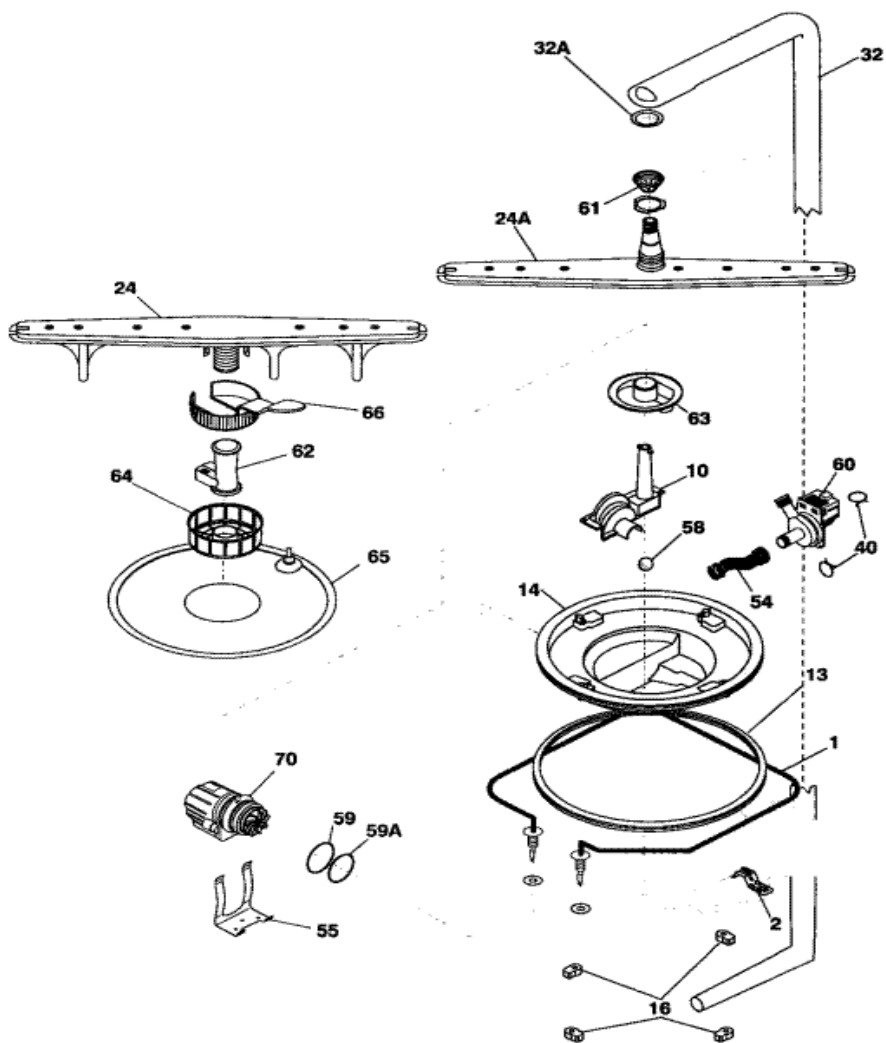
2	154662601	STRIKE,DOOR (S/P)
4	154200602	SCREW,10-16 X 3/8 ,HEX (S/P)
5	154213401	ROLLER,TUB (S/P)
6	5303943103	SCREW,W/WASHER ,(8) (S/P)
22	154239801	TUBING,WATER INLET (S/P)
23	5300807813	CLAMP,TUBING ,(2)
28	154408701	SWITCH ASSY,FLOAT (S/P)
30	154241101	RETAINER,THERMOSTAT (S/P)
F29	154290204	THERMOSTAT,RE-SETTABLE (S/P)
F24	154753201	HOSE,DRAIN (S/P)
F1	154209301	TUB ASSY,W/FRAME PARTS (S/P)
F25	154209701	FLOAT (S/P)
F3	154782401	GASKET,TUB (S/P)

Distribuidor Autorizado

SurteRápido.com

Venta de Refacciones  
Electrodomesticas

# FDB421RFS8 MOTOR & PUMP



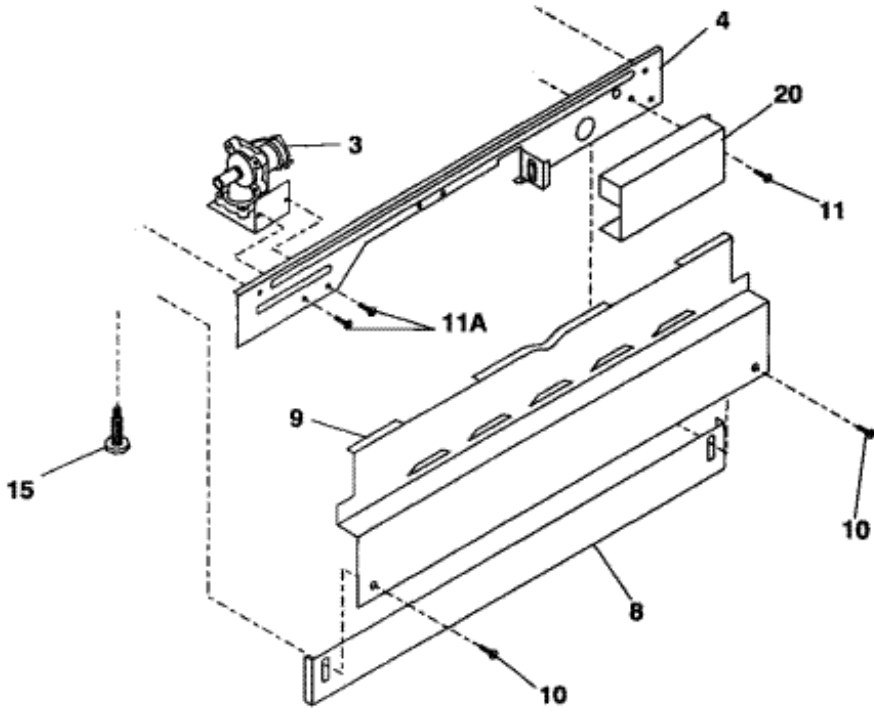


## FDB421RFS8 MOTOR & PUMP

2	154479601	BRACKET,HEATER ,(2) (S/P)
10	154245501	COVER,VOLUTE (S/P)
13	154246801	GASKET,SUMP (S/P)
14	154365902	HOUSING,SUMP (S/P)
16	154246502	RETAINER,SUMP (S/P)
24	154414101	SPRAY ARM,LOWER ,W/HEAT SHIELD
32	154406601	TUBE,DELIVERY (S/P)
40	154348401	CLAMP,RED ,PUMP (S/P)
40	154348501	CLAMP,SILVER ,PUMP (S/P)
54	154234401	HOSE,CONNECTOR (S/P)
55	154362301	BRACKET,MOTOR ,ASKOLL (S/P)
58	154246402	CHECK BALL
59	154246901	O-RING,REAR (S/P)
60	5304463777	DRAIN PUMP ASSY
61	154606801	NOZZLE,2ND LEVEL ,SPRAY ARM (S/P)
62	154294101	SUPPORT,SPRAY ARM ,LOWER (S/P)
63	154252201	BASE,SOIL DIRECTOR (S/P)
64	154252301	FILTER,SOIL DIRECTOR (S/P)
65	154252401	FILTER,POLYPRO (S/P)
66	154252701	TRAP,GLASS (S/P)
24A	154313601	SPRAY ARM,CENTER (S/P)
F70	154588402	MOTOR ASSEMBLY,CIRCULATION ,W/O O' RINGS
59A	154247001	O-RING,FRONT (S/P)
F1	154665201	HEATER (S/P)
F24A	154252001	NUT,SPRAY ARM ,CENTER (S/P)
32A	154406401	GASKET,DELIVERY TUBE (S/P)



**FDB421RFS8 FRAME**

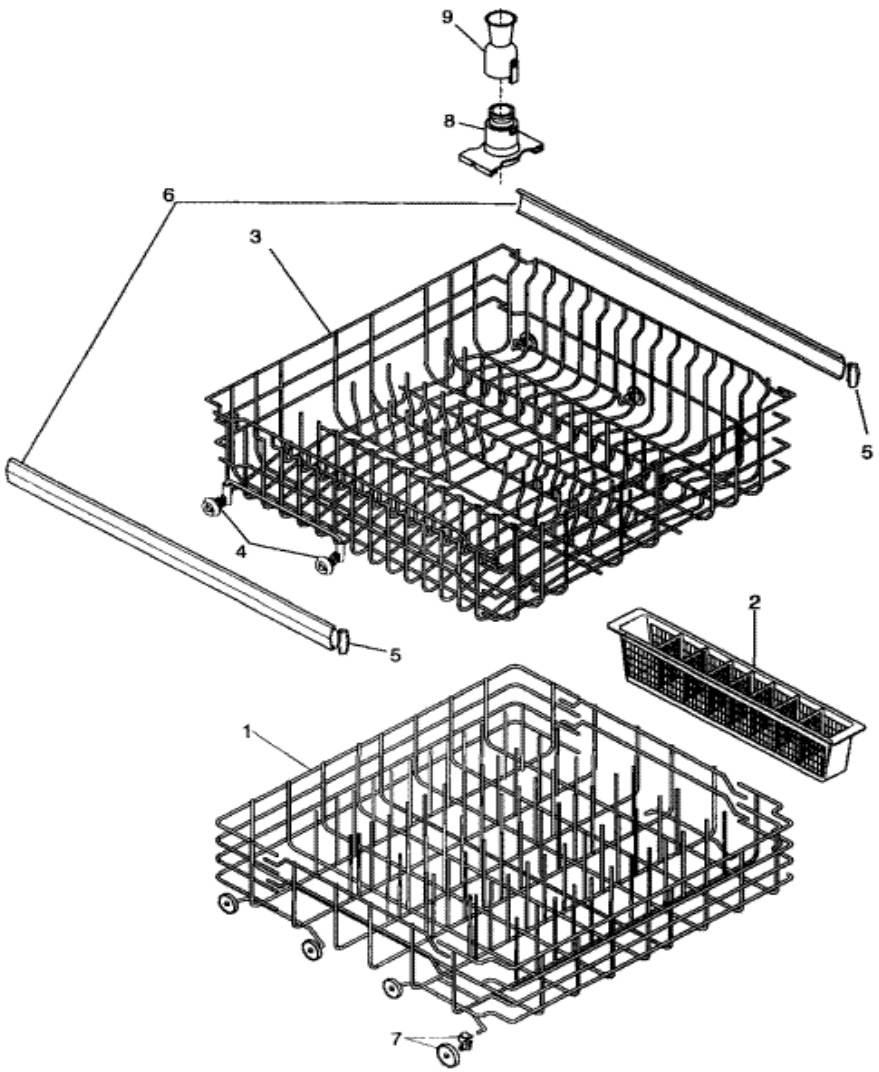




**FDB421RFS8 FRAME**

3	154637401	VALVE,WATER <b>(S/P)</b>
4	154208701	BRACE,FRONT FRAME <b>(S/P)</b>
8	154322903	TOEPLATE,ADJUSTABLE ,BLACK <b>(S/P)</b>
9	154589503	KICKPLATE ASSY,BLACK ,W/FOAM <b>(S/P)</b>
10	5300808658	SCREW,NO.8A X .375`` ,BLACK <b>(S/P)</b>
11	154320101	SCREW,SERR ,NO.8-18 X 3/8 <b>(S/P)</b>
15	154419301	SCREW,LEVELING <b>(S/P)</b>
20	154209601	COVER,JUNCTION BOX <b>(S/P)</b>
11A	154200601	SCREW,NO.10-16 X 3/8 <b>(S/P)</b>

FDB421RFS8 RACKS





## FDB421RFS8 RACKS

1	154319604	RACK ASSY,LOWER (S/P)
2	154556101	BASKET,SILVERWARE (S/P)
3	154319506	RACK ASSY,UPPER (S/P)
4	5304407064	WHEEL & BUSHING ASSY,UPPER RACK (S/P)
5	5300809927	CAP,SLIDE ,(4) (S/P)
6	154597801	SLIDE,RACK ,(2) (S/P)
7	154174501	WHEEL & BRACKET ASSY,LOWER RACK (S/P)
8	154304001	BASE,FUNNEL (S/P)
9	154251801	FUNNEL (S/P)