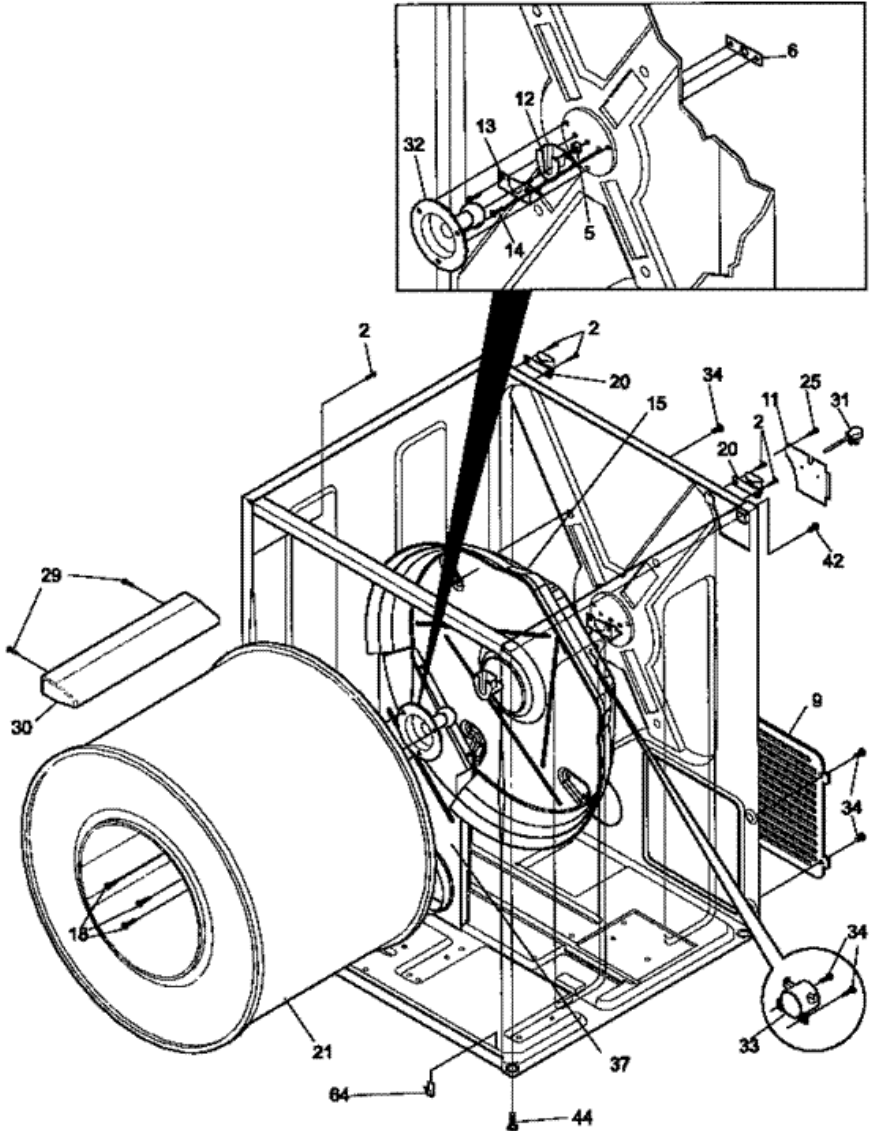


Distribuidor Autorizado

SurteRápido.com

Venta de Refacciones
Electrodomesticas

FDG546RES3 TAMBOR





FDG546RES3 TAMBOR

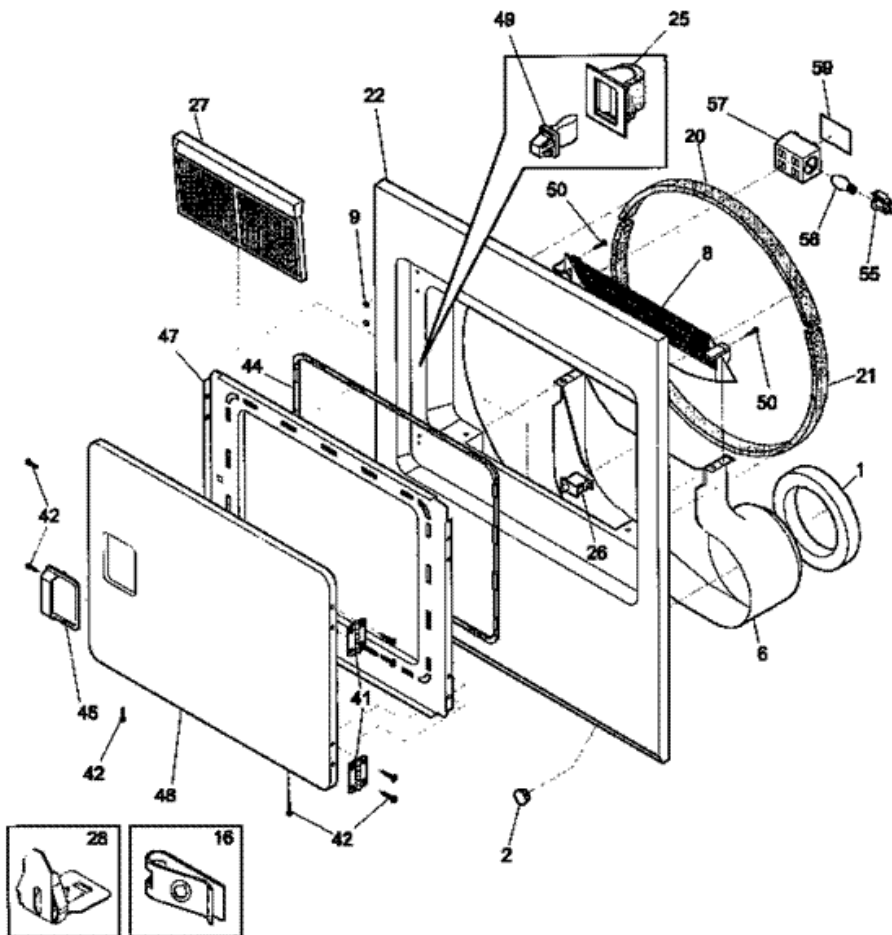
2	131168200	SCREW,8-18 X 0.31 (S/P)
5	5303281019	BALL (S/P)
6	5303281020	CLIP-BALL (S/P)
9	131793201	PANEL-ACCESS (S/P)
11	131363200	COVER-TERM BLOCK (S/P)
12	131825900	BEARING-DRUM SUPPORT
13	131724300	BRACKET-BEARING (S/P)
14	131205400	SCREW-BRACKET,10-16B X 1.375 (S/P)
15	131776500	HOUSING, GAS HEATER ASSY, W/SEAL (S/P)
18	131477000	SCREW-SHAFT&BAFFLE, (S/P)
20	131469100	BRACKET-HINGE (S/P)
21	134138200	ASMY-FS DRUM-GAS-GALV (S/P)
25	5303015671	SCREW,8-18 X .375 (S/P)
29	131382300	SCREW-VANE,QUADREX HEAD (S/P)
30	5303201200	VANE
31	5303281129	CORD-ELECTRIC POWER (S/P)
32	5303281153	ASMY-SHAFT (BALLHITCH)
33	5308015399	THERMOSTAT-SAFETY
34	131243700	SCREW,PAN HEAD ,8-18AB X 0.375 ,39 (S/P)
37	131952100	DUCT-HEAT (S/P)
42	131301100	SCREW-GROUND CAB,HEX WASHER HEAD (S/P)
44	131527400	FOOT-CABINET
64	131704600	CLIP,CABINET BOTTOM (S/P)

Distribuidor Autorizado

SurteRápido.com

Venta de Refacciones
Electrodomesticas

FDG546RES3 PUERTA





FDG546RES3 PUERTA

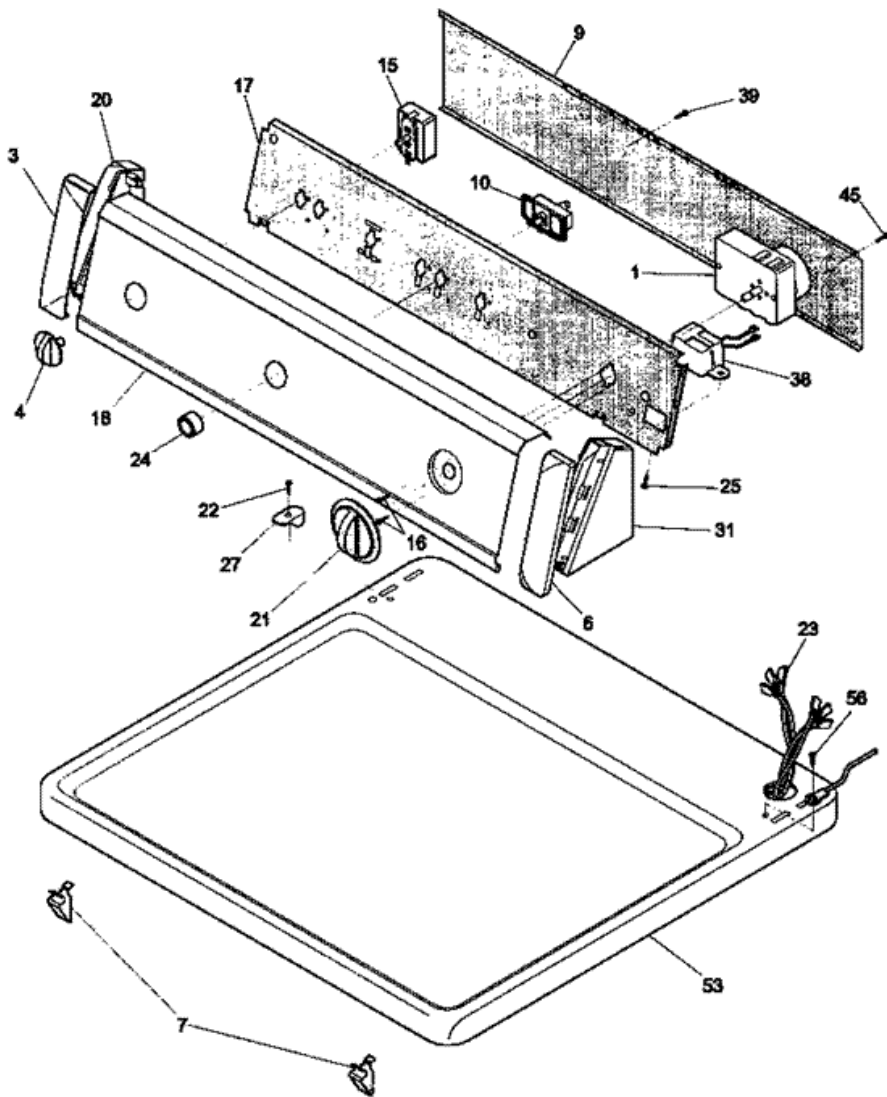
1	134417000	SEAL-AIR DUCT (S/P)
2	131397000	PLUG,WHITE (S/P)
6	131621900	DUCT-AIR (S/P)
8	131622202	COVER-LINT TRAP
9	131633200	PLUG,WHITE (S/P)
16	131063700	CLIP-WIRING (S/P)
20	5303937139	GLIDE-DRUM
21	5303281049	SEAL-BASKET LOWER
22	5304412847	PANEL-FRONT W/LITE WHITE (S/P)
25	131658800	CATCH-DOOR (S/P)
26	134813601	SWITCH-DOOR W/DRUM LIGHT (S/P)
27	131450300	LINT TRAP
28	5303281074	CLIP-GUIDE,(2)
41	134222900	HINGE-DOOR (S/P)
42	131209600	SCREW,FLAT HEAD ,8-18AB X 0.44 (S/P)
44	131129900	GASKET-DOOR (S/P)
46	131644700	HANDLE-DOOR,WHITE
47	131844104	PANEL-INNER DOOR WHITE (S/P)
48	131789303	DOOR-OUTER, WHITE (S/P)
49	5303207102	STRIKE-DOOR (S/P)
50	131303300	SCREW-LOCK,PH AB ,10-16X.50 (S/P)
55	131843500	RECEPTACLE-LAMP (S/P)
56	131843500	LAMP (S/P)
57	131843500	HOLDER-LAMP (S/P)
59	131843500	COVER-LAMP (S/P)

Distribuidor Autorizado

SurteRápido.com

Venta de Refacciones
Electrodomesticas

FDG546RES3 TABLERO





FDG546RES3 TABLERO

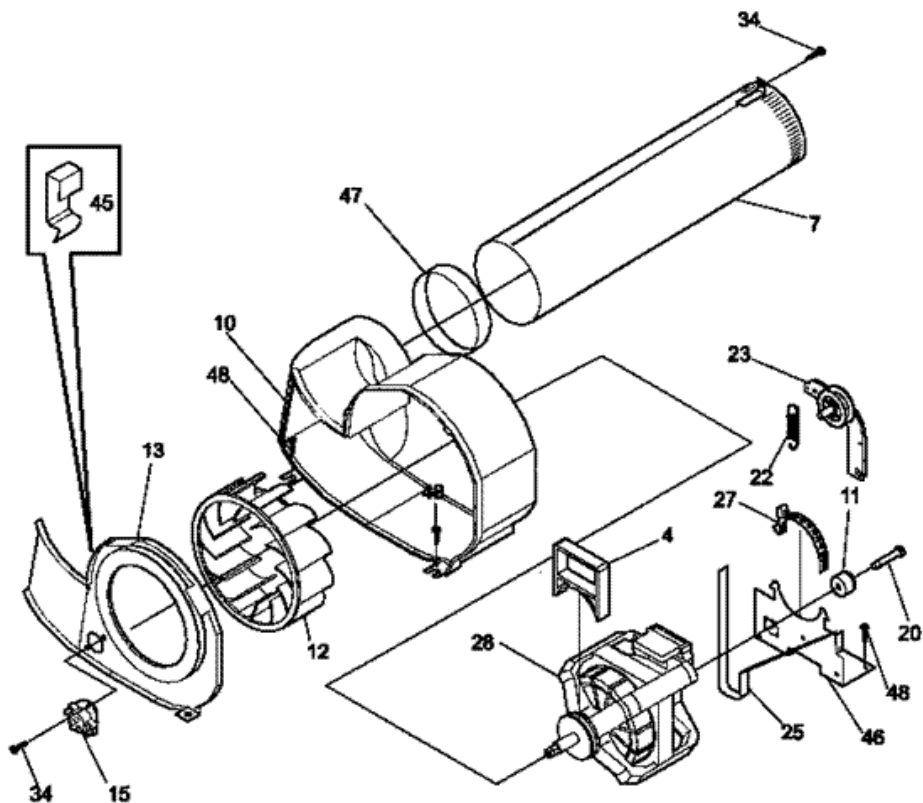
1	131583801	TIMER-DRYER P GAS
3	131122611	COVER-END CAP,WHITE ,LH (S/P)
4	131141105	KNOB-ROTARY,WHITE/BLUE
6	131122601	COVER-END CAP,WHITE ,RH (S/P)
7	3205821	CLIP-TOP PANEL,TO FRONT PANEL (S/P)
9	134088700	BACKSHEET-CONSOLE (S/P)
10	131469000	SWITCH-PUSH/START
15	134398500	SWITCH-TEMPERATURE (S/P)
16	5303283289	SCREW,CR PAN HEAD ,8-32 X 0.250 (S/P)
17	131728900	BRACKET-CONTROL (S/P)
18	131280800	PANEL-CONTROL,WHITE (S/P)
20	131122711	END CAP,WHITE ,LH
21	134011703	KNOB-DRYER TIMER WHT
22	131266300	SCREW-END CAP,CR OVAL HEAD (S/P)
23	131847100	HARNESS PRH GAS (S/P)
24	131111501	BUTTON-START SWITCH,WHITE (S/P)
25	5303015671	SCREW,8-18 X .375 (S/P)
27	131197000	CLIP-CONTROL PANEL (S/P)
31	131122701	END CAP,WHITE ,RH
38	5303210285	BUZZER (S/P)
39	215822000	SCREW,PAN HEAD ,8-18AB X 0.375 ,39 (S/P)
45	131205100	SCREW,8 PAN HEAD ,10-10B X 0.50 (S/P)
53	131601318	PANEL-TOP WHITE (S/P)
56	131243800	SCREW (S/P)

Distribuidor Autorizado

SurteRápido.com

Venta de Refacciones
Electrodomesticas

FDG546RES3 MOTOR





FDG546RES3 MOTOR

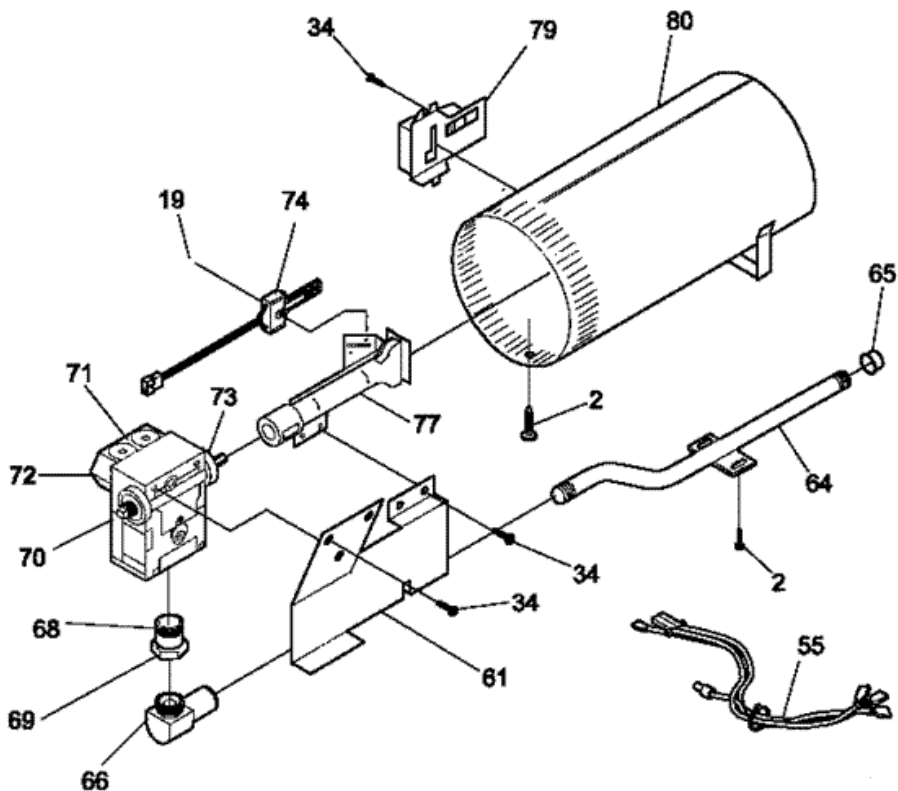
4	131435200	LOCK-FAN HOUSING (S/P)
7	131451600	TUBE-EXHAUST (S/P)
10	131967600	HOUSING-FAN
11	131749800	SPACER-IDLER (S/P)
12	131775600	WHEEL-BLOWER
13	131775600	COVER-FAN
15	131298400	THERMOSTAT-CONTROL
20	131017900	SCREW-SPACER,HEX HEAD (S/P)
22	131601000	SPRING-IDLER (S/P)
23	131863000	ASMY-IDLER BRACKET & PULLEY
25	134503600	BELT-DRYER
27	131419800	CLAMP-MOTOR (S/P)
28	131560100	MOTOR-MAIN,W/PULLEY
34	215822000	SCREW,PAN HEAD (S/P)
45	131618200	CLIP-BLOWER HSG (S/P)
46	134203400	BRACKET-MOTOR
47	131633300	SEAL-EXHAUST TUBE (S/P)
48	131168200	SCREW,8-18 X 0.31 (S/P)

Distribuidor Autorizado

SurteRápido.com

Venta de Refacciones
Electrodomesticas

FDG546RES3 QUEMADOR





FDG546RES3 QUEMADOR

2	131168200	SCREW,8-18 X 0.31 (S/P)
19	131715500	CLIP-IGNITER (S/P)
34	215822000	SCREW,PAN HEAD ,8-18AB X 0.375 (S/P)
55	131827100	HARNESS-GAS VALVE (S/P)
61	131418701	BRACKET-BURNER (S/P)
64	137011800	PIPE (S/P)
65	8015112	CAP-PIPE (S/P)
66	137011800	ELBOW-COUPLER (S/P)
68	5362791200	UNION-MALE CONNECTOR,BRASS (S/P)
69	8015194	NUT-UNION,HEX (S/P)
70	5303207409	VALVE-GAS (S/P)
71	5303931775	COIL-SECONDARY (USE 12001349)
72	5303931775	COIL-BOOSTER (USE 12001349)
73	5303207410	ORIFICE,NATURAL GAS (S/P)
74	5303937186	IGNITOR ASSY (S/P)
77	131762900	ASSY-BURNER
79	5303281135	SENSOR (S/P)
80	134156101	TUBE-BURNER ASSY (S/P)