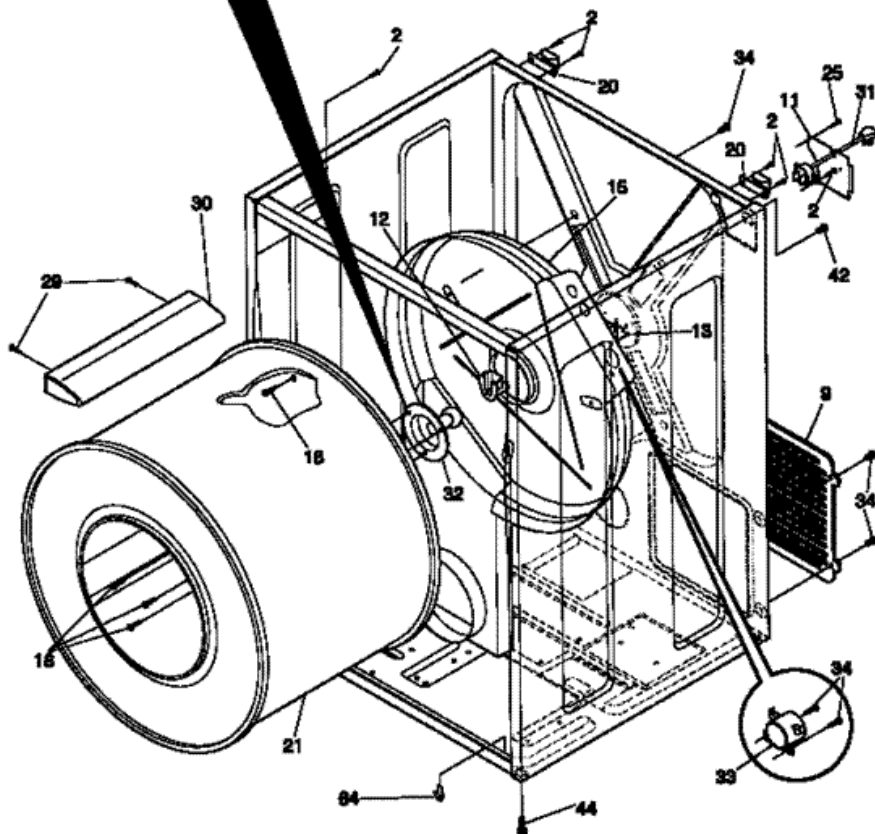
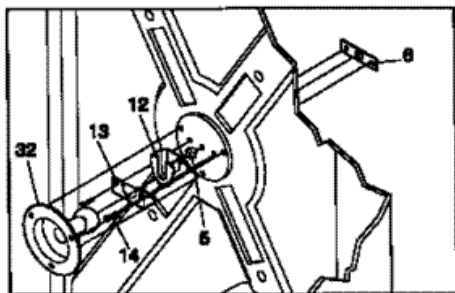


Distribuidor Autorizado

SurteRápido.com

Venta de Refacciones
Electrodomesticas

FDG648GFS0 TAMBOR





FDG648GFS0 TAMBOR

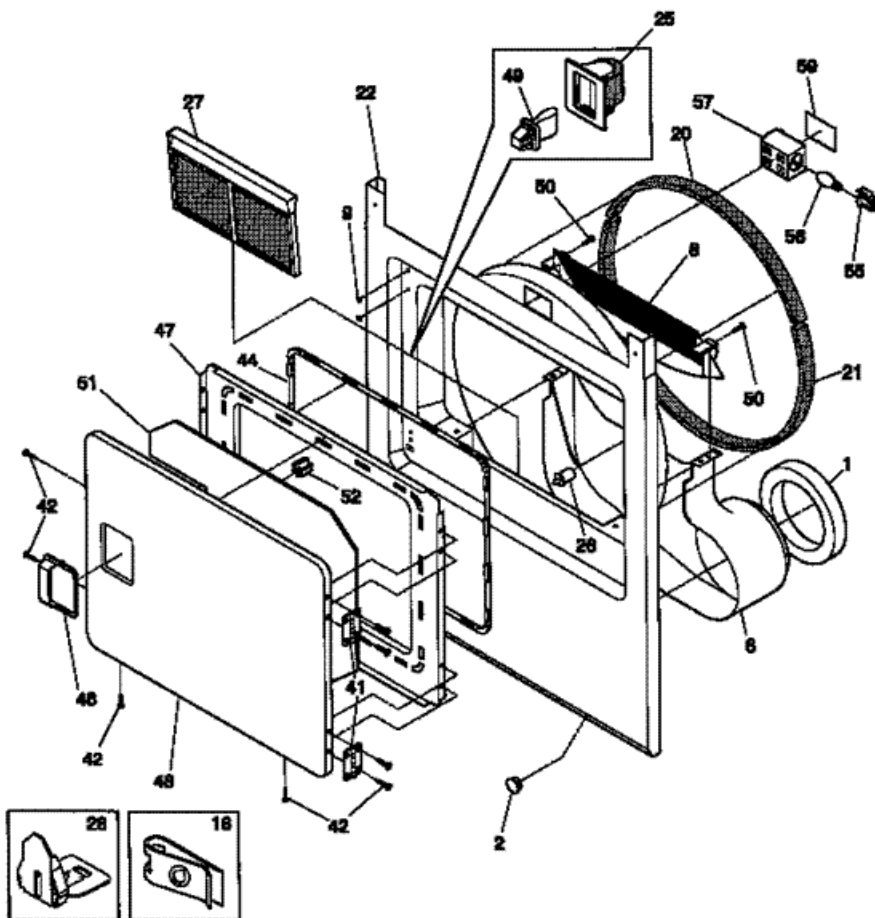
2	131168200	SCREW, 8-18 X 0.31 (S/P)
5	5303281019	BALL (S/P)
6	5303281020	CLIP-BALL (S/P)
9	131793201	PANEL-ACCESS (S/P)
11	131363200	COVER-TERM BLOCK DESCONTINUADO
12	131825900	BEARING-SHAFT
13	131724300	BRACKET-BEARING (S/P)
14	131205400	SCREW-BRACKET, 10-16B X 1.375 (S/P)
15	137137200	HOUSING-HEAT W/DUCT (S/P)
18	131477000	SCREW-SHAFT & BAFFLE, (S/P)
20	131469100	BRACKET-HINGE (S/P)
21	134138400	DRUM-ASSY (S/P)
25	5303015671	SCREW (S/P)
29	131382300	SCREW-VANE, QUADREX HEAD, (S/P)
30	5303201200	VANE
31	134501200	CORD-ELECTRIC POWER (S/P)
32	137088630	SHAFT ASSY (S/P)
33	134048900	THERMOSTAT-SAFETY (S/P)
34	131243700	SCREW, PAN HEAD, 8-18AB X 0.375 (S/P)
42	131209600	SCREW, FLAT HEAD, 8-18AB X 0.44 (S/P)
44	131527400	FOOT-CABINET
64	131704600	CLIP, CABINET BOTTOM (S/P)
*11080	5303281153	REAR BEARING KIT,

Distribuidor Autorizado

SurteRápido.com

Venta de Refacciones
Electrodomesticas

FDG648GFS0 PUERTA





FDG648GFS0 PUERTA

1	134417000	SEAL-AIR DUCT (S/P)
2	131397000	PLUG, WHITE (S/P)
6	131621900	DUCT-AIR (S/P)
8	131632600	COVER-LINT TRAP, MOISTURE SENSOR, (S/P)
9	131633200	PLUG WHITE (S/P)
16	131063700	CLIP-WIRING (S/P)
20	5303937139	GLIDE-DRUM
21	5303281049	SEAL-BASKET LOWER
22	5303937172	PANEL-FRONT, WHITE (S/P)
25	131658800	CATCH-DOOR (S/P)
26	8006623	SWITCH-DOOR (S/P)
27	131450300	LINT TRAP
28	5303281074	CLIP-GUIDE, (3)
41	134222900	HINGE-DOOR (S/P)
42	131209600	SCREW, FLAT HEAD, 8-18AB X 0.44, (S/P)
44	131129900	GASKET-DOOR
46	131644700	HANDLE-DOOR, WHITE
47	131574004	DOOR-INNER WHITE (S/P)
48	131789303	DOOR-OUTER WHITE (S/P)
49	5303207102	STRIKE-DOOR (S/P)
50	131302800	SCREW-LOCK, PH AB, 10-16 X .50 (S/P)
51	131573500	LINER-NOISE (S/P)
52	5304400861	SPACER-DOOR (S/P)
55	131843500	RECEPTACLE-LAMP (S/P)
56	131843500	LAMP (S/P)
57	131843500	HOLDER-LAMP (S/P)
59	131843500	COVER-LAMP (S/P)



FDG648GFS0 TABLERO

1	131579800	TIMER-DRYER
3	131122611	COVER-END CAP, WHITE, LH (S/P)
4	131141105	KNOB-ROTARY, WHITE/GRAY
6	131122601	COVER-END CAP, WHITE, RH (S/P)
7	3205821	CLIP-TOP PANEL, TO FRONT PANEL (S/P)
9	134088700	BACKSHEET-CONSOLE (S/P)
10	131469000	SWITCH-PUSH/START
11	131587400	BRACKET-BOARD, (2) (S/P)
12	134216300	BOARD-CONTROL, MOTOR (S/P)
15	134398600	SWITCH-TEMPERATURE (S/P)
16	5303283289	SCREW, CR PAN HEAD, 8-32 X 0.25, (S/P)
17	131728900	BRACKET-CONTROLS (S/P)
18	131669500	PANEL-CONTROL (S/P)
20	131122711	END CAP, WHITE, LH
21	131810500	KNOB-TIMER, WHITE
22	131266300	SCREW-END CAP, CR OVAL HEAD, (S/P)
23	131633600	HARNESS-DRYER DESCONTINUADO
24	131111501	KNOB-START SWITCH, WHITE (S/P)
27	131197000	CLIP-CONTROL PANEL (S/P)
31	131122701	END CAP, WHITE, RH
38	134087000	BUZZER (S/P)
39	131205100	SCREW, NO. 8 PAN HEAD, 10-10B X 0.50, (S/P)
53	131601318	PANEL-TOP WHITE DESCONTINUADO
56	131243800	SCREW, PAN HD LOCKING, (S/P)



FDG648GFS0 MOTOR

4	131435200	LOCK-FAN HOUSING (S/P)
7	131451600	TUBE-EXHAUST (S/P)
10	131967600	HOUSING-FAN (S/P)
11	131553600	SPACER-IDLER (S/P)
12	131775600	WHEEL-BLOWER
13	131775600	COVER-FAN
15	131298400	THERMOSTAT-CONTROL (S/P)
19	131420300	SCREW, CR TRUSS HEAD, 8-18AB X 0.750 (S/P)
20	131017900	SCREW-SPACER, HEX HEAD, (S/P)
23	131863000	ARM-IDLER, W/PULLEY
25	134503600	BELT-DRYER
27	131419800	CLAMP-MOTOR (S/P)
28	131560100	MOTOR-MAIN, W/PULLEY
34	215822000	SCREW, PAN HEAD, 8-18AB X 0.375, (S/P)
40	5300809968	WASHER (S/P)
45	131618200	CLIP-COVER (S/P)
46	134203400	BRACKET-MOTOR
*11081	131456800	TUBE ASSY, EXHAUST (S/P)



FDG648GFS0 QUEMADOR

2	131168200	SCREW, 8-18 X 0.31 (S/P)
19	131420300	SCREW, CR TRUSS HEAD, 8-18AB X 0.750 (S/P)
34	215822000	SCREW, PAN HEAD, 8-18AB X 0.375, (S/P)
55	131827100	HARNES-GAS VALVE (S/P)
56	131243800	SCREW, PAN HD LOCKING, 8-32CA X 0.375 (S/P)
60	3281126	CLIP-WIRING, GAS BRACKET (S/P)
61	131418701	BRACKET-BURNER
64	137011800	PIPE (S/P)
65	8015112	CAP-PIPE (S/P)
66	137011800	ELBOW-COUPLER (S/P)
68	5362791200	UNION-MALE CONNECTOR, BRASS
69	8015194	NUT-UNION, HEX (S/P)
70	5303207409	VALVE-GAS
71	5303931775	COIL-SECONDARY
72	5303931775	COIL-BOOSTER
73	5303207410	ORIFICE, NATURAL GAS (S/P)
74	5303937186	IGNITOR ASSY (S/P)
75	5300809968	WASHER (S/P)
77	131763500	BURNER ASSY (S/P)
79	5303281135	SENSOR (S/P)
80	134156101	TUBE-BURNER ASSY DESCONTINUADO
*11082	131509600	GAS CONVERSION KIT, (S/P)