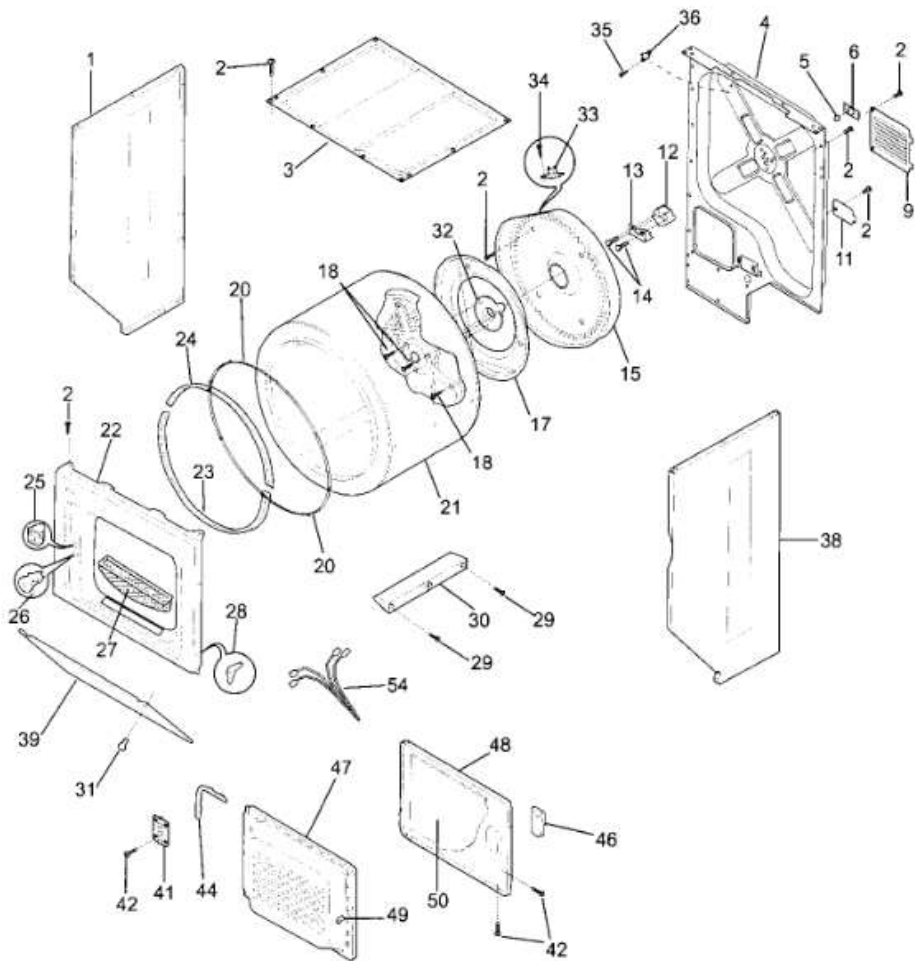


FEX831CS0

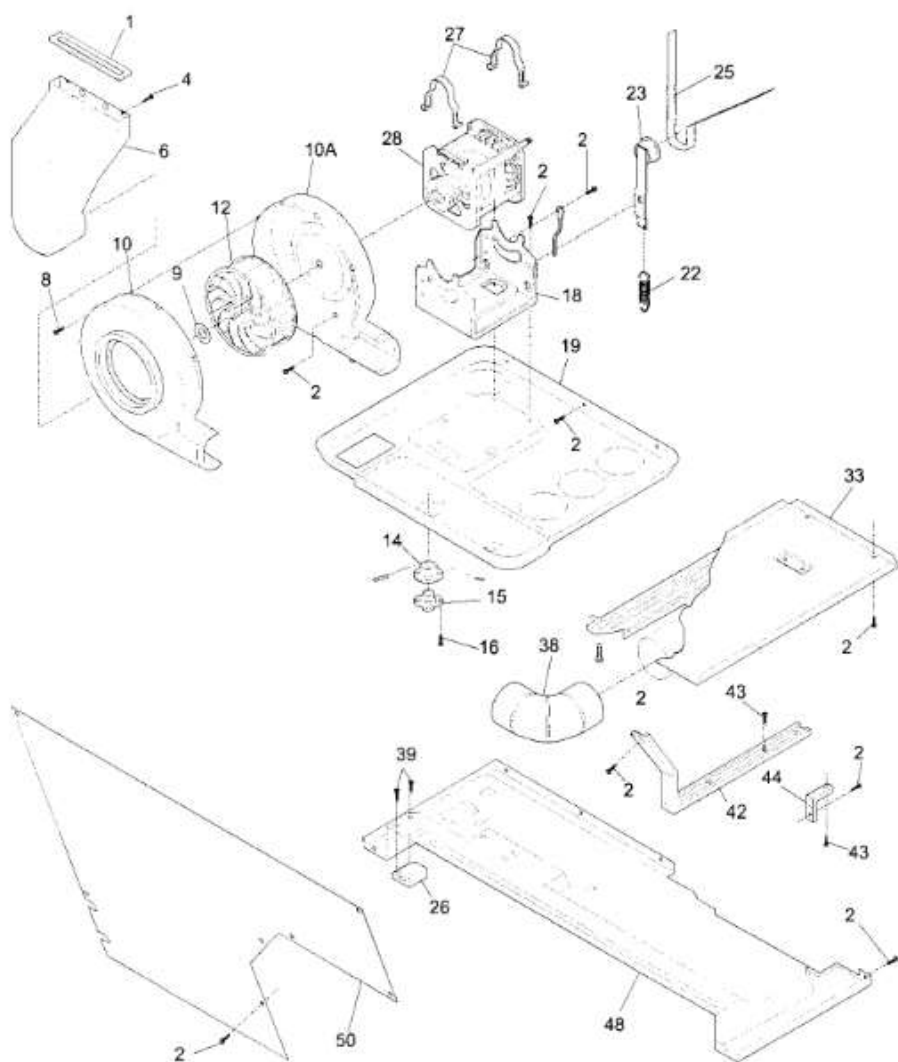


FEX831CS0

1	131084700	LEFT SIDE PANEL-WHITE
2	131168200	SCREW,PAN HEAD,8-18B X 0.31
3	131883301	PANEL, TOP
4	137491301	PANEL,REAR,DRYER,STAINLESS
5	5303281019	BALL,GROUNDING
6	5303281020	CLIP,BALL,STEEL,FLAT NUT
9	3204249	MOTOR ACCESS PANEL
11	3204250	COVER - NLA
12	131825900	BEARING,DRUM SUPPORT
13	131724300	BRACKET,BEARING SUPPORT
14	131205400	SCREW,BRACKET MTG.,10-16B X 1.375,CR/SQ DRIVE
17	3204254	BAFFLE,HEATER SHIELD
18	131168200	SCREW,10-16AB X 0.375
20	137513300	GLIDE,DRUM
21	134122532	DRUM,DRYER,GALVANIZED STL.,SERVICE KIT
22	134031600	Panel,front,white,svce kit w/plug
23	5303937183	SEAL,FELT,LOWER
24	5303937182	SEAL,FELT,UPPER
25	131658800	DOOR CATCH,UPPER
27	131359602	LINT TRAP
28	5303281074	CLIP (4)
29	131382300	SCREW,QUADREX HEAD,10-14 X 1.00,VANE MTG., SPECIAL
30	137552900	VANE,STRAIGHT
31	131202300	SCREW,10-16AB X 0.625
32	131777700	SHAFT,DRUM SUPPORT,BALLHITCH
34	131243800	SCREW
35	131892100	SCREW,6-20B X 0.230
38	131084800	Panel,white,right side
39	131084402	ACCESS PANEL-WHITE
41	134222900	HINGE-DOOR
42	134156200	SCREW
44	131129900	GASKET,DOOR SEAL
46	131789400	HANDLE,DOOR,WHITE
47	137365110	DOOR-INNER,WHITE

48	131789303	PANEL, OUTER DOOR, WHITE
49	5303207102	STRIKE, DOOR
50	134535300	HEAT SHIELD
F15	131475320	Heater Assy, w/housing
F26	WE4X197	DOOR SWITCH
F33	3204267	THERMOSTAT, SAFETY
F36	134120900	THERMAL LIMITER
F54	131498900	WIRING HARNESS
NI	137576600	PLUG, LIGHT HOLE

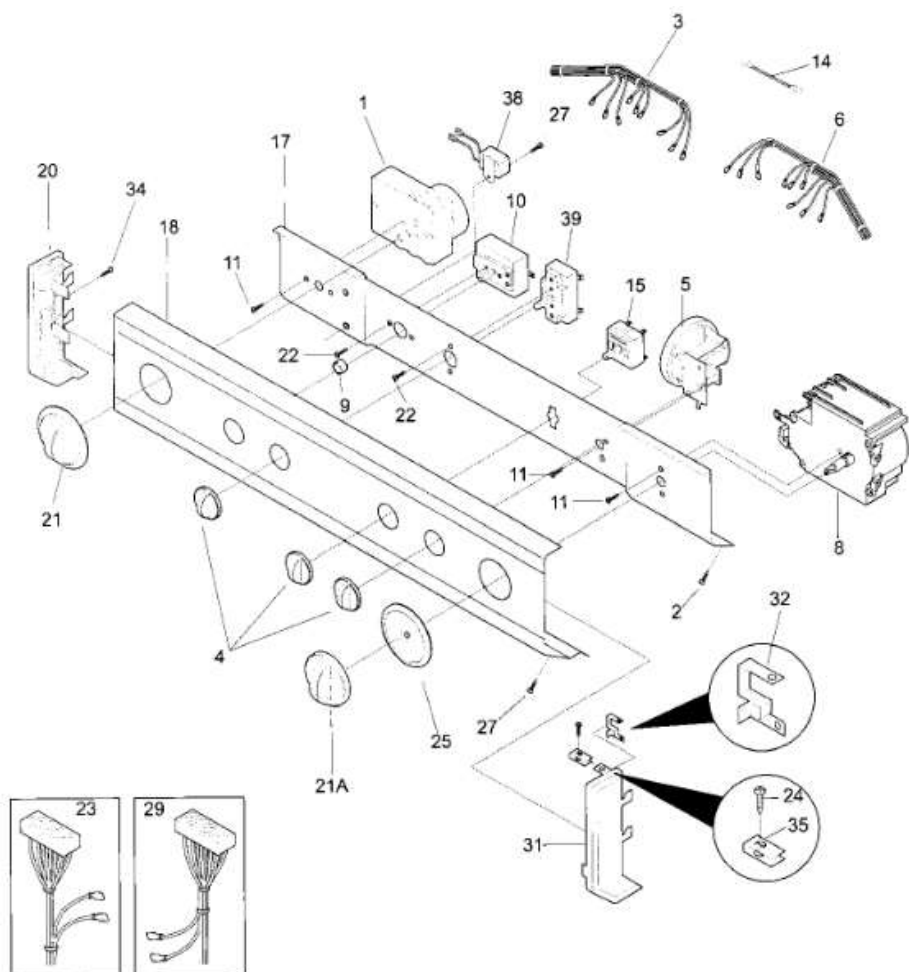
FEX831CS0



FEX831CS0

1	131295200	SEAL,AIR DUCT
2	131168200	SCREW,PAN HEAD,8-18B X 0.31
4	131362400	FASTENER,PUSH-IN
6	134086301	DUCT,AIR
8	3205245	SCREW,PAN HEAD,6-18AB X 0.60
9	5304488479	CLAMP
10	5304485558	HOUSING
10A	5304485558	Housing,blower,rear
12	131476300	BLOWER WHEEL
16	131311900	SCREW,QUADREX PH,8-18AB X 0.500
18	131413600	CRADLE & STUD
19	131363901	PAN
22	3205241	SPRING,IDLER
23	131863100	IDLER ARM ASSY,WITH PULLEY
26	5303212870	BLOCK (2)
27	134242400	CLAMP,MOTOR MTG.
33	131731400	SHIELD,ACCESS AREA,COVER
38	3204320	ELBOW,EXHAUST DUCT
39	131205100	SCREW,#8 PAN HEAD,10-10B X 0.500,CR/SQ DRIVE
42	3204324	BRACKET
43	131751500	SCREW 12-24 X .63 HEX HD
44	3204326	BRACKET,L MOUNTING,CABINET REAR,EXTERNAL
48	131731300	USE 131731310
50	3204329	COVER
F14	131658100	THERMOSTAT-HEATER
F15	3204307	CONTROL THERMOSTAT
F25	137292700	Belt,dryer drive
F28	134196600	MOTOR,DRYER DRIVE,WITH PULLEY

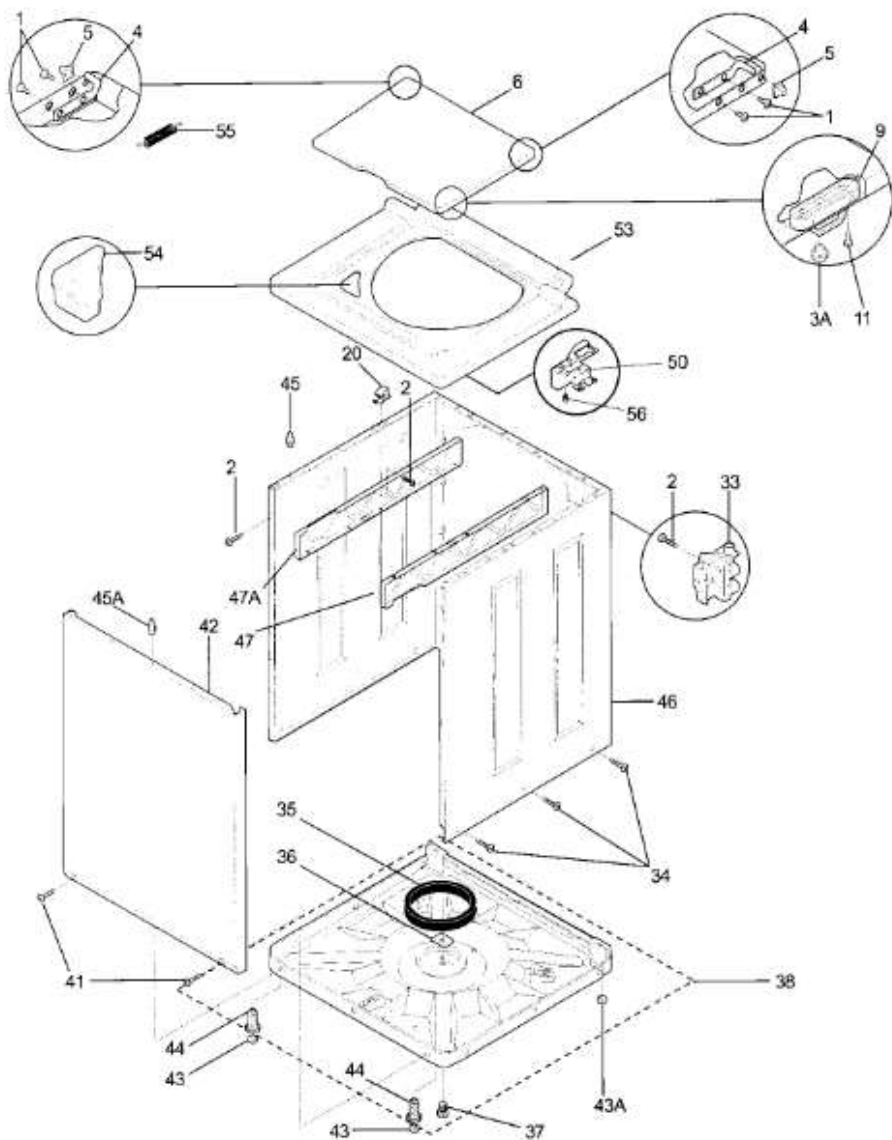
FEX831CS0



FEX831CS0

2	131168200	SCREW,PAN HEAD,8-18B X 0.31
4	131873404	Knob,rotary,white/dk gray
5	134422700	Switch,presure,3 position,1/2 hp
9	131111501	Button,start switch,white,push type
11	5303283289	SCREW
17	131983410	Bracket-control mtg
18	134310300	Panel,trimplate,console front
20	131288101	End Cap,white,LH
21	131873304	Knob,dryer timer,white
21A	131977201	Knob,washer timer,white
22	131311700	Screw,pan head quad,8-32 x 0.15
24	134156200	SCREW
25	131976804	Indicator,timer pointer,white/dark gray,washer
27	131892100	SCREW,6-20B X 0.230
31	131288211	END CAP,WHITE,RH
32	3204357	CLIP - GROUND
34	215822000	SCREW,PAN HEAD,8-18AB X 0.375
35	131063700	CLIP,END CAP MTG,U-TYPE
F1	5303297177	TIMER
F3	134066000	HARN-CONT-LCD WPJ ELEC PTS
F6	134542500	HARN-WSHR-CONT-W/TEMP SW
F8	131758600	TIMER-WASHER
F10	131628900	SWITCH-PUSH START
F14	134446800	POWER-RESISTOR
F15	134410100	Switch,temp selector,3 posn rotary
F23	134119400	Harness-LCD main elec
F29	134113400	HARN-LWR WSHR L/C EMERSON 2SPD
F38	5303286537	BUZZER
F39	134400000	Switch,dryer temp,2 posn rotary
NI	5303161300	CABLE TIE
NI	5303208586	Screw,terminal block,(3)
NI	134101400	BLOCK-TERMINAL

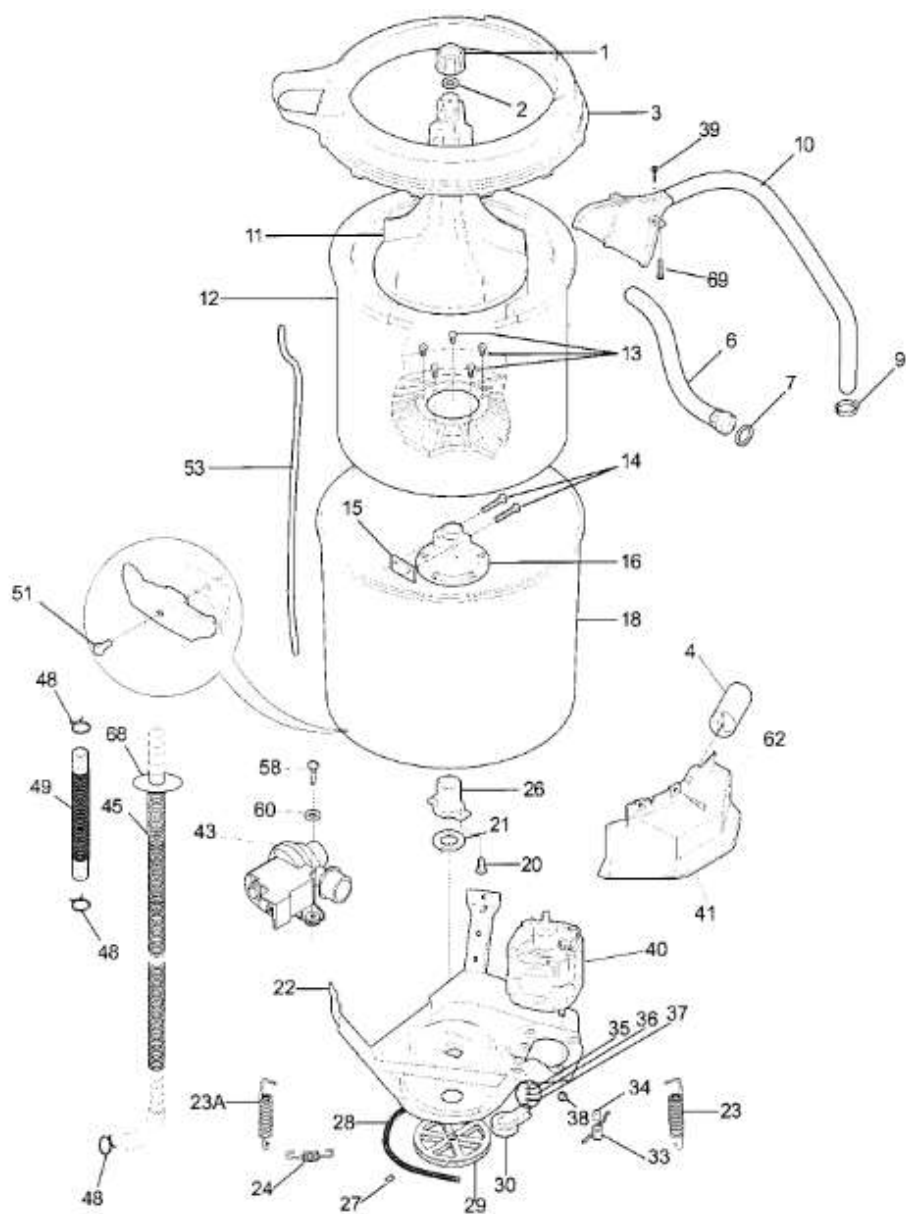
FEX831CS0



FEX831CS0

1	134203900	Screw,hinge mtg,6-32 x 0.3125,pph 45deg hdrpt
2	131168200	SCREW,PAN HEAD,8-18B X 0.31
3A	134075500	BUMPER,LID,FRONT
4	5304489657	BAR-HINGE
5	5303208743	GROMMET
6	5303212872	LID,WASHER,WHITE
9	131390000	Lid Strike
11	3204368	SCREW,LID STRIKE MTG,6-20B X 0.375
20	3204374	PIN,SLIDE,SIDE TO TOP
34	131205500	SCREW,CAB BODY,1/4-14 X 0.625,SIDE-TO-BASE
35	5308002385	SNUBBER RING
36	3204380	SHIPPING BLOCK
37	131658900	Screw,shipping,1/4-20 x 1.001,yellow,unit base,thread forming
38	5303311213	BASE ASSEMBLY
41	131302800	SCREW,10-16AB X 0.500
42	131104303	FRONT PANEL-WHITE
43	131422100	Pad,leveling leg,front
43A	131422200	PAD,SELF LVLG LEG,REAR
44	134548800	LEG,LEVELING W/PAD
45	131346400	LOCATING PIN
45A	131346401	PIN,PANEL LOCATOR,FRONT
46	134046600	Asmy-cabinet 3 pc-white
47	131106701	BRACKET- RH
47A	131091001	BRACKET- LH - NLA
53	134135800	Panel,washer top
54	3204394	BLEACH DISPENSER
55	134890500	ASSIST SPRING
56	215822000	SCREW,PAN HEAD,8-18AB X 0.375
F33	134211400	Valve,water,115 V
F50	134101800	Lid lock w/external sw - NLA

FEX831CS0

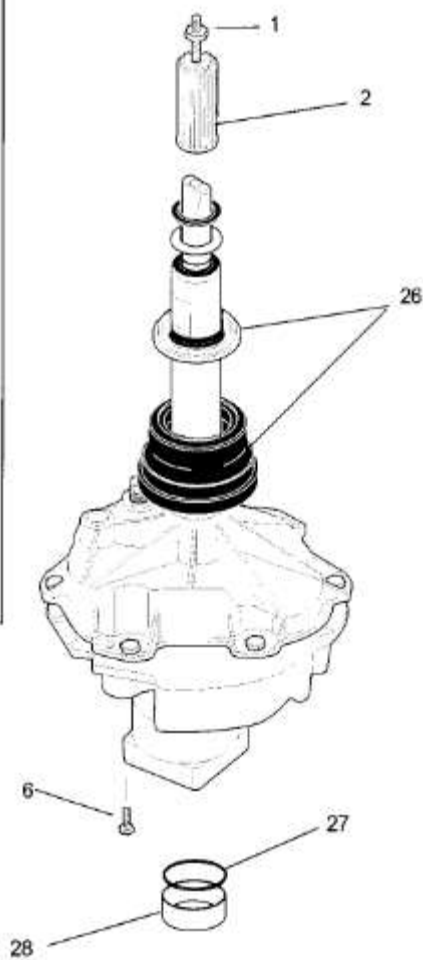
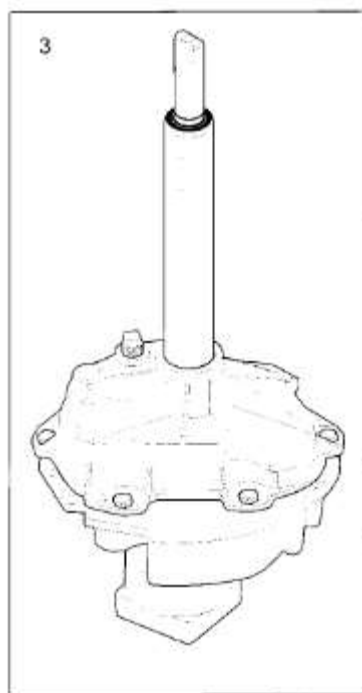


FEX831CS0

1	3204395	AGITATOR
2	3204396	GASKET
3	131398303	Asmy-splash tub cover H
6	N6561384	HOSE,WATER INLET,4 FT.,HOSE & WASHER
7	5303161296	WASHER,INLET HOSE
9	5304488479	CLAMP
10	134211701	HOSE AND NOZZLE
12	131370400	TUB - SPIN
13	5303283293	SCREW
14	137539500	SCREW
15	137107000	LOCKPLATE
16	131545101	TRUNNION
18	131557201	Tub,splash,w/air dome,brg
20	3205150	SCREW,8-12B X 0.750
21	5308002401	SCREW
22	131373610	LEG & DOME ASSEMBLY
23	5303208858	SPRING-VERTICAL (SHORT)
23A	134885900	SPRING-VERTICAL
24	131373900	HORIZONTAL SPRING (3)
27	5303270023	SCREW
33	3204425	SPRING
34	3204426	SLEEVE - NLA
35	3161433	REATAINING RING
36	5303261031	WASHER
37	5303161306	SPRING WASHER
38	5303318708	Nut,hex flange,motor mounting
39	131205100	SCREW,#8 PAN HEAD,10-10B X 0.500,CR/SQ DRIVE
41	131513300	HIELD-MOTOR
45	134592700	HOSE-DRAIN
48	131306234	CLAMP,HOSE,WIRE
51	134164400	Screw,leg,hex wshr hd,5/16-18 x 0.875,type 23
53	5304401845	Tube,pressure,vinyl
58	134160900	SCREW,WASHER HD,10-16AB X 0.75
60	131304300	WASHER .21 X .71 X .06
62	131302800	SCREW,10-16AB X 0.500
68	131707800	RING,DRAIN HOSE
69	131731500	FASTENER-RATCHET

F4	131212301	CAPACITOR
F11	3204401	Agitator,standard,slim
F26	3204405	BEARING HOUSING
F28	134511600	V-Belt Goodyear
F29	131498301	Pulley,xmsn drive
F30	131862900	Asmy-idler
F40	134156400	Motor,3/4 hp,1 speed,with pulley
F43	137108100	Pump,drain
F49	131494800	HOSE,PUMP TO TUB
NI	131453000	BUSHING,SNAP-IN
NI	131462500	Clip,drain hose,base
NI	131506500	Clip,drain hose,back sheet,(2)
NI	131663500	CUSHION,DRAIN HOSE,BASE
NI	131901400	SEAL,SPLASH COVER
NI	5303212877	INSERT - STRING ADJ
NI	5303309503	CLIP,DRAIN HOSE,BACK SHEET

FEX831CS0



FEX831CS0

1	131206800	CAP STUD
2	134418700	Hub,drive,agitator
6	134197900	Screw,hex washer head,1/4-20 x 0.437
27	131784300	Washer,bearing block,transmission - NLA
28	131784400	Spacer,bearing block,transmission
F3	134735700	ASMY-TRANS H-HELICAL GEAR
F26	5303279394	Seal Assy,tub,transmission
NI	134283500	Energy Guide - NLA

***NOTA: SI EL CODIGO DEL ARTICULO QUE NECESITA NO APARECE EN NUESTRA PAGINA WEB, ES PROBABLE QUE SEA SOBRE PEDIDO O ESTE OBSOLETO.**

FAVOR DE COMUNICARSE A NUESTRAS OFICINAS PARA MAYOR INFORMACION

TELEFONOS: 83377949, 83377999 Y 83373889.