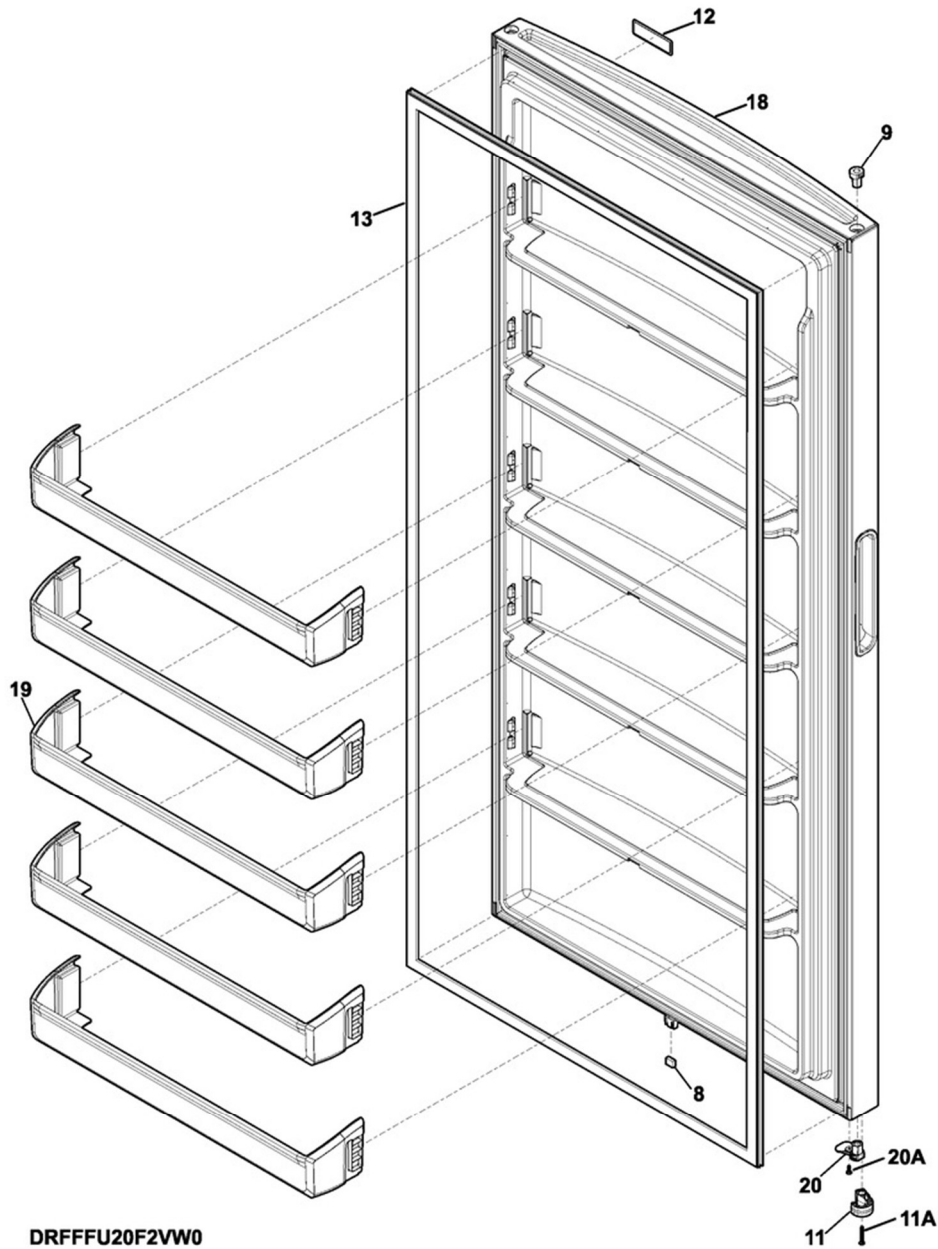


Guía	Descripción	# de parte
1	COVER	5304523792
4	CLIP	5304522258
5	CLIP	5304522259
8	SCREW	5304522279
9	COVER	5304519777
10	COVER	5304522244
11	AIR TOWER KIT	5303918891
15	BULB	5304522314
16	SOCKET	5304522315
17	COVER	5304523778
18	KNOB	5304523758
19	MOUNT	5304523777
21	Defrost Thermostat	5304523788
22	DIVERTER	5304523753
23	HINGE	5304523689
24	MOUNT-FAN	5304523722
25	HINGE-BOTTOM	5304523746
26	HINGE-BOTTOM	5304523747
28	MOTOR-FAN	5304523741
29	FAN SEAL & DRAIN TUBE KIT	5303918878
32	COVER	5304523726
36	COVER	5304519784
42	SHELF	5304525223
42A	SHELF	5304523712
43	BASKET	5304523751
44	COVER	5304523785
45	HARNESS W REED SWIT	5304527992
46	Led	5304523827
47	Socket	5304523828
50	HARNESS	5304523789
50A	SCREW-HEX WASH HD.	5304523738
51	CLIP	5304523768
52	SEAL	5304528970

Publication No: 5995719266

FFFU20F2VW0

DOOR



Guía	Descripción	# de parte
8	MAGNET	5304519044
9	BEARING	5304519757
11	HOOK-AUTO CLOSER WH	5304519789
11A	SCREW	241953905
12	NAMEPLATE	5304511144
13	GASKET	5304524887
18	DOOR	5304523717
19	SHELF-DOOR	5304523719
20	BEARING	5304523784
20A	SCREW	241953901

Guía	Descripción	# de parte
1	CONDENSER	5304523710
1A	SCREW	240433204
2	CLAMP-WIRING HARNES	5304456288
3	TUBE	5304522111
4	INVERTER	5304523779
5	HARNESS-MACH.COMPT	5304523761
11	Coil	5304523830
12	Support, Evaporator, Rh	5304523831
14	Support, Evaporator	5304523832
15	Defrost Heater	5304523833
16	Aluminum Heater Strap	5308000110
18	CLAMP	5304524607
19	TUBE	5304525042
20	TROUGH	5304523720
21	Defrost Thermostat	5304523788
29	FAN ASSEMBLY	5304519734
30	COMPRESSOR	5304523780
30A	Grommet	5304523829
31	PAN	5304523709
31A	TAPE	5304519744
32	BAFFLE	5304519745
33	SEAL	5304519751
50	MAIN BOARD	5304529281
51	FAN SEAL & DRAIN TUBE KIT	5303918878
52	BAFFLE	5304523694
81	SCREW	5304519765