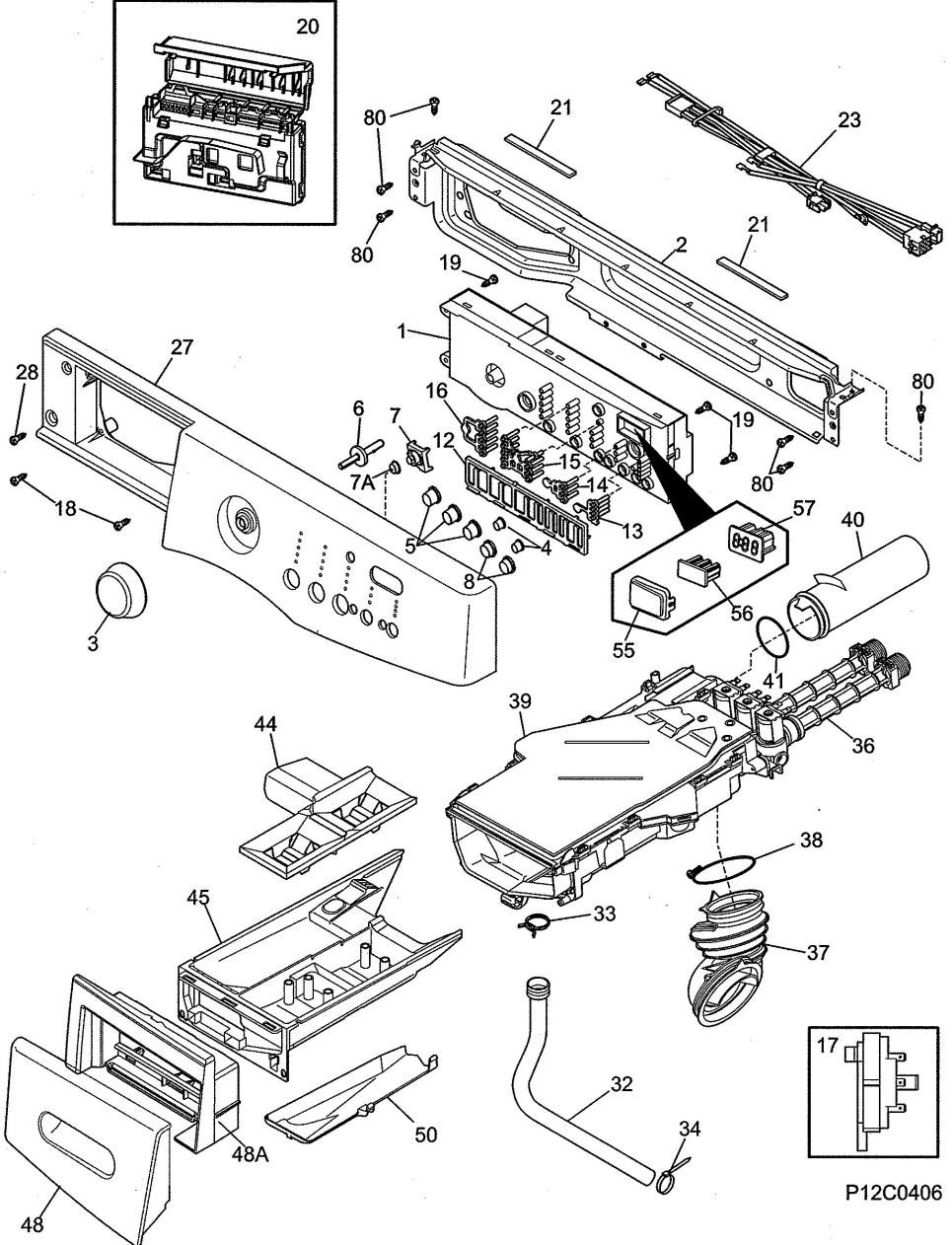


Distribuidor Autorizado

SurteRápido.com

Venta de Refacciones  
Electrodomesticas

Secadora W.W. FFW5100PW0



P12C0406



## Secadora W.W. FFFW5100PW0

Guía	N.P.	Descripción
1	137035252	Washer electronic control board
2	134887400	Washer control panel bracket
3	137314625	Laundry appliance control knob
4	137320825	Push button
5	137314725	Push button
6	134347700	Laundry appliance program knob pin
7	134885100	Washer base
7A	137360300	Cap
8	137314825	Push button
12	137320500	Spring
13	134557500	Light pipe
14	134557400	Light pipe
15	134552800	Light pipe
16	134600000	Light pipe
17	134762010	Washer water-level pressure switch
18	131302800	Washer baffle screw
19	131302901	Washer screw, #10-16 x 0.75-in Ç
20	137208012	Washer electronic control board
21	134407900	Washer vibration dampener
23	137288500	Washer wire harness
27	137313910	Washer panel
28	131205300	Washer screw
32	134586500	Washer dispenser hose
33	131306216	Washer hose clamp
34	5303321209	Refrigerator wire tie
36	134959340	Washer water inlet valve
37	134372300	Washer dispenser hose



## Secadora W.W. FFFW5100PW0

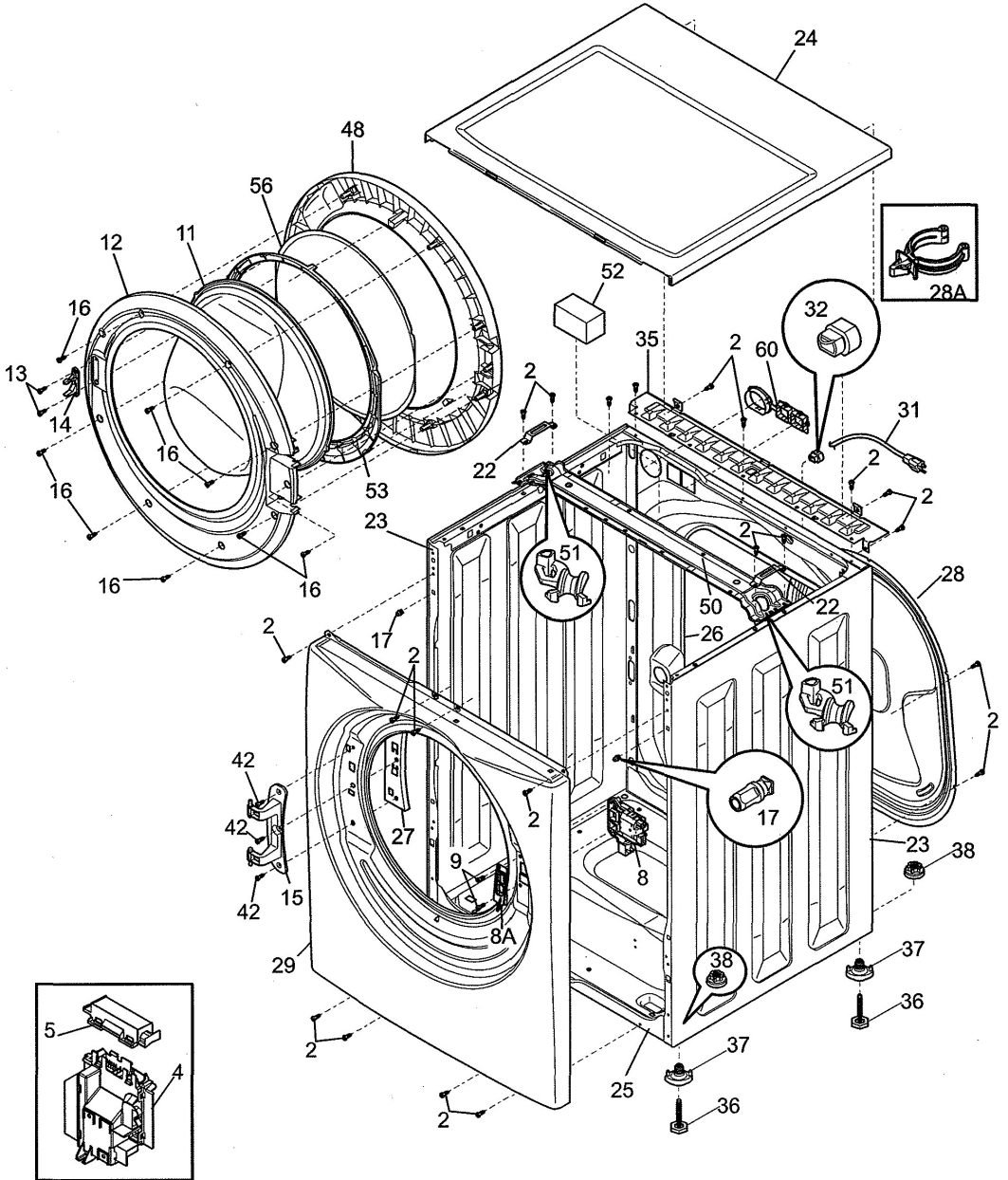
Guía	N.P.	Descripción
38	134372400	Washer hose clamp
39	134446140	Washer dispenser drawer housing
39A	134371300	Washer dispenser drawer housing
40	134372100	Washer dispenser hose
41	134372200	Washer o-ring
44	134370200	Washer dispenser drawer insert
45	134370000	Washer dispenser drawer
48	137314310	Washer dispenser drawer handle
48A	137314510	Washer dispenser drawer handle frame
50	134370100	Washer dispenser conveyor
55	137320700	Dryer window
56	134557300	Light pipe
57	134503300	Display
80	131168200	Laundry appliance screw, #8-18 x 31/100-in

Distribuidor Autorizado

SurteRápido.com

Venta de Refacciones Electrodomesticas

Secadora W.W. FFFW5100PW0





## Secadora W.W. FFFW5100PW0

Guía	N.P.	Descripción
2	131168200	Laundry appliance screw, #8-18 x 31/100-in
4	134618211	Washer motor control board
5	134649700	Washer cover
8	131763255	Washer door lock assembl
8A	137279900	Washer door vent
8B	137288600	Washer wire harness
9	131303300	Washer baffle screw
11	137441700	Washer door glass panel
12	137280302	Washer door outer frame
13	137280302	Washer screw, #10-16 x 0.75-in
14	134456602	Washer door strike
15	134550800	Washer door hinge
16	131205300	Washer screw
17	134638700	Washer clip
22	134648500	Bracket spring
23	134958010	Washer side panel
24	134638510	Washer top panel
24A	134926600	Damper
25	134646001	Washer base
26	134962000	Panel
27	134550900	Bracket
28	134646200	Back panel
28A	134876500	Clip
29	137021811	Washer front panel
29A	137021600	Bracket
29B	137021610	Bracket
31	137011400	Washer power cord



## Secadora W.W. FFFW5100PW0

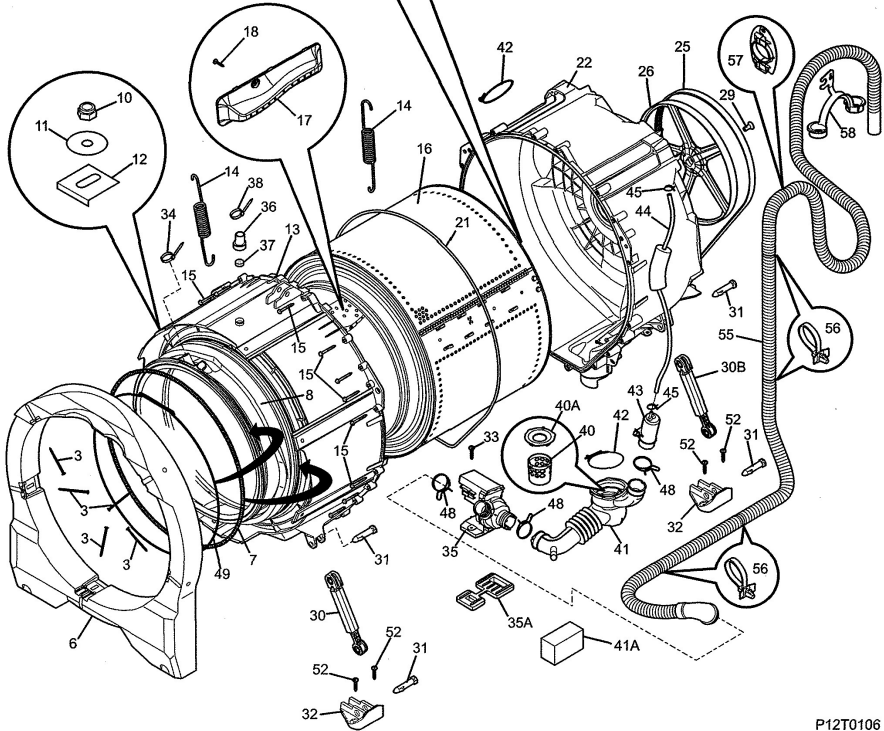
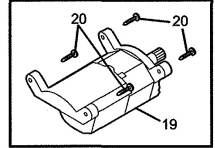
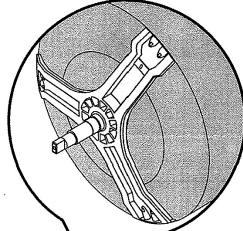
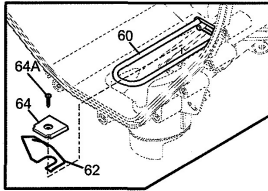
Guía	N.P.	Descripción
32	5303209428	Washer power cord strain relief
35	134713100	Bracket
36	134639100	Washer leveling leg
37	134617600	Washer leveling leg bushing
48	137265525	Dryer door outer panel
50	134645600	Bracket
51	134655800	Bushing
52	131931202	Washer vibration dampener
53	137266700	Washer door transition ring
56	137578120	Dryer door outer window
60	134372000	Washer rear panel grommet

Distribuidor Autorizado

SurteRápido.com

Venta de Refacciones  
Electrodomesticas

# Secadora W.W. FFW5100PW0



P12T0106



## Secadora W.W. FFFW5100PW

Guía	N.P.	Descripción
3	131793303	Washer counterweight bolt
6	134362210	Washer counterwe
7	134365300	Washer door boot spring clamp
8	134740900	Washer door boot kit
10	137086500	Washer nut, 1/4 x 20-in
11	131276900	Washer counterweight spring spacer
12	134430600	Washer counterweight mounting bracket
13	134955100	Washer outer front tub
14	134957000	Washer suspension spring
15	131303900	Washer screw
16	134950400	Washer spin basket
17	134952702	Washer baffle
18	131302800	Washer baffle screw
19	137248100	Washer drive motor
19A	137290700	Washer wire harness
20	131303500	Washer drive motor mounting screw
21	134361900	Washer outer tub gask
22	134956210	Washer outer rear tub
25	134616700	Washer drive belt
26	137317100	Washer motor drive pul
29	134408400	Washer screw
30	137040900	Washer shock absorber
30B	137041000	Washer shock absorber
31	131268300	Washer shock absorber mounting pin
32	134363200	Washer shock absorber mounting bracket
32A	137110800	Cushion
33	134637200	Screw
34	5303321209	Refrigerator wire tie





## Secadora W.W. FFFW5100PW0

Guía	N.P.	Descripción
35	137311900	Washer drain pump
35A	134618100	Pad
26	137322400	Hose
40	134640200	Washer drain pum
40A	134640300	Washer drain pump filter cover
41	134639920	Washer tub-to-pump hose
41A	137340800	Washer vibration dampener
42	134737300	Washer hose clamp
43	134636800	Pressure hose
44	134369900	Washer water-level pressure switch hose
45	137087500	Clamp
48	131306234	Washer hose clamp
49	134527100	Washer door boot spring clamp
52	131202300	Laundry appliance screw, #10-16 x 5/8-in
55	137628100	Washer drain hose
56	137003500	Washer cable tie
57	134641100	Washer drain hose clamp
60	137488301	Washer heating ele
62	134642300	Cover
64	134644600	Support
64A	134638100	Screw