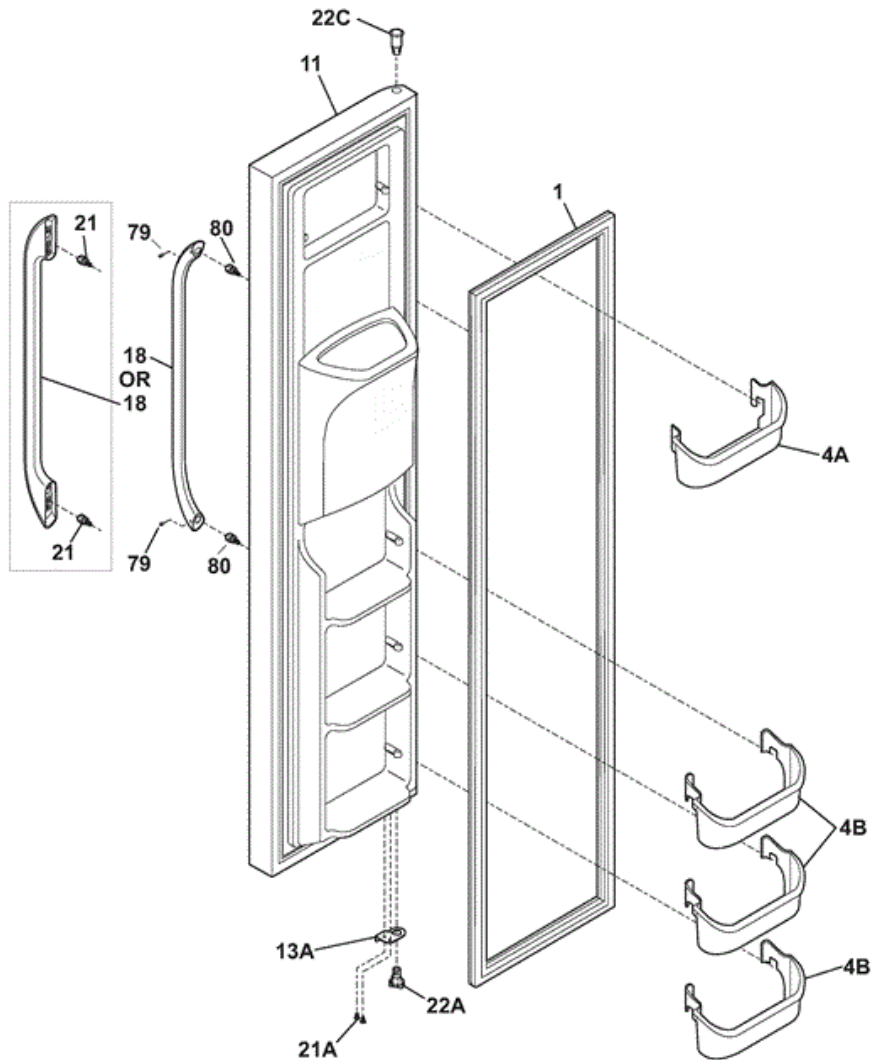


FFHS2622MMB FREEZER DOOR



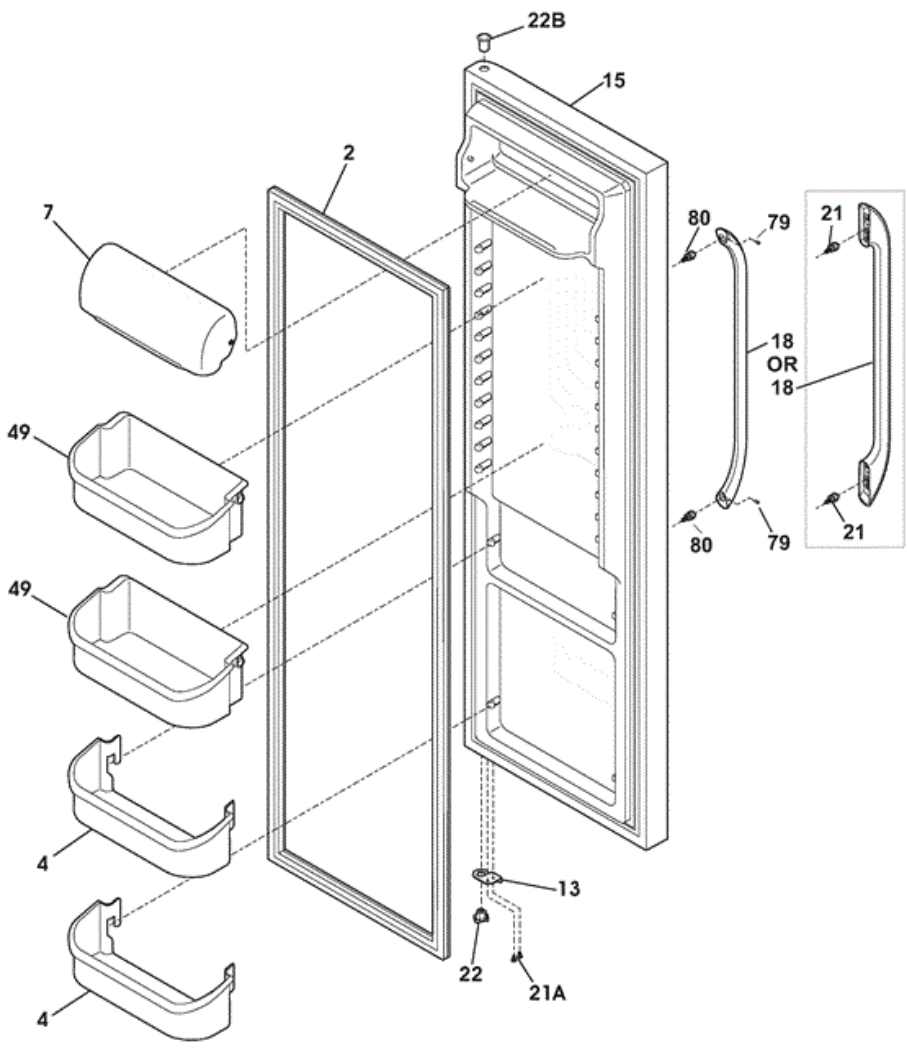


FFHS2622MMB FREEZER DOOR

11	242178007	DOOR-FRZR,SILVER MIST ,COMPLETE ASSY
13A	241942604	DOOR STOP,BLACK ,FRZR
18	242059104	HANDLE-DOOR,BLACK
21	241695904	SCREW
21A	240442706	SCREW-NO.10-32 X 3/4,ZINC
22A	241990302	BEARING-HINGE(FRZ),CLOSER
22C	241760401	BEARING,HINGE ,TOP
4A	240334201	BIN-DOOR,FRZR-UPPER
4B	240351601	BIN-DOOR
F1	241786006	GASKET-FRZR DOOR,BLACK ,MAGNETIC
FNI	242207001	HARNESS,WIRING ,DISPENSER DOOR
NI	242103001	CONNECTOR-WATER,STRAIGHT ,5/16 TO 5/16



FFHS2622MMB REFRIGERATOR DOOR

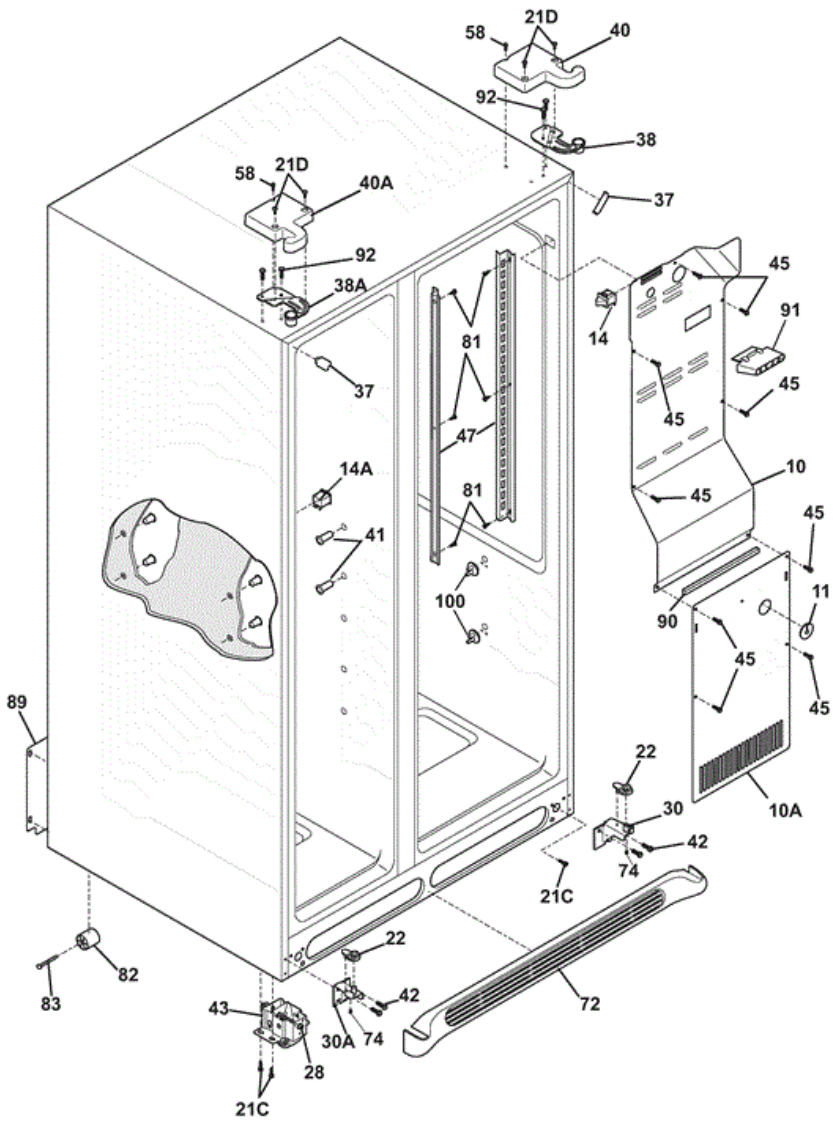




**FFHS2622MMB REFRIGERATOR
DOOR**

4	240323001	BIN-DOOR,PSEUDO ,BOTTOM
7	240326203	DOOR-DAIRY
13	241942603	DOOR STOP,BLACK ,REF
15	242038845	DOOR-REFR,SILVER MIST ,COMPLETE ASSY
18	242059102	HANDLE-DOOR,BLACK
21	241695904	SCREW
21A	240442706	SCREW-NO.10-32 X 3/4,ZINC
22	241990301	BEARING-HINGE,GRAY
22B	241760403	BEARING,HINGE ,TOP
49	240356401	BIN-DOOR,GALLON
F2	241786005	GASKET-REFR DOOR,BLACK ,MAGNETIC

FFHS2622MMB CABINET



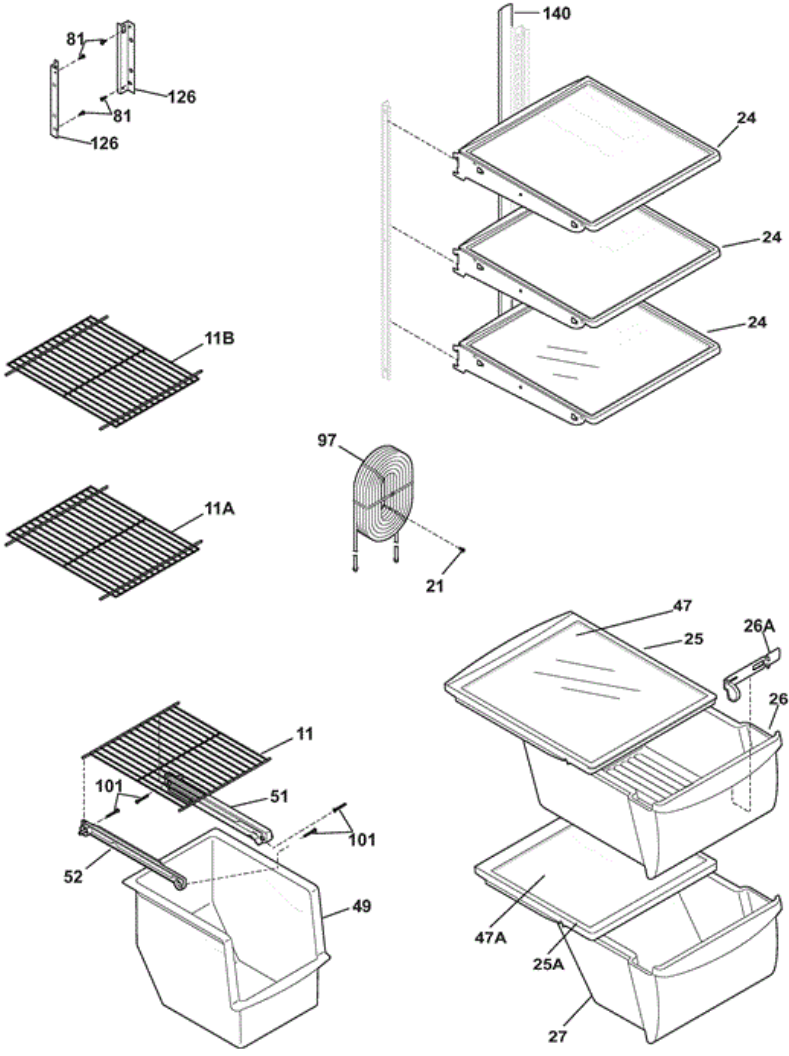


FFHS2622MMB CABINET

10	240435912	COVER-AIR DUCT
10A	241719711	COVER-EVAP COIL,LOWER
11	5303208309	PLUG-HOLE, FACTORY TEST
21C	218252201	SCREW,NO.8 TRUSS HD ,10-32CA X 0.500
21D	218781101	SCREW,PAN HEAD ,8-18 X 0.625
22	241917801	PLATE-DOOR CLOSER
28	240335502	BOLT-ROLLER ADJ,HEX WASHER HEAD ,
30	241918001	BRACKET-LOWER HINGE,W/HINGE PIN ,RH ,
30A	241918004	BRACKET-LOWER HINGE,W/HINGE PIN ,LH ,
37	242161202	TRIM-CABINET CORNER,BLACK ,(2)
38	241761301	BRACKET-UPPER HINGE,RH
38A	241761302	BRACKET-UPPER HINGE,LH
40	241946715	COVER-UPPER HINGE,BLACK ,RH
40A	241946716	COVER-UPPER HINGE,BLACK ,LH
41	241550801	GROMMET-SHELF MTG,1.40` LONG
42	240578902	SCREW,HEX HEAD ,1/4-20 X 5/8
43	240335006	ROLLER ASSY,FRONT ,(2)
45	241500303	SCREW,HEX WASHER HEAD ,8-18AB X 1/2
47	218659500	CHANNEL-SHELF MTG,SIDE ,(2)
58	241548003	SCREW,10-32 X 3/8
72	240324411	GRILLE/KICKPLATE,BLACK
74	218755402	SCREW-SET,10-32 X .500 IN
81	5304455650	SCREW,HEX WASHER HEAD ,8-15A X 0.625 ,
82	5304418225	ROLLER,COMPRESSOR BASE ,REAR ,(2)
83	5304455655	RIVET,FLAT HEAD ,1/4 OD X 1-3/4 ,
89	241733902	COVER-ACCESS,W/LABEL
90	218249808	SEAL-COIL COVER
91	240380101	DUCT-ICE MAKER
92	241710601	SCREW,HEX WASHER HD ,1/4 X 7/8 ,
100	241993101	SUPPORT-CRISPER CVR
F100	241993001	SUPPORT-CRISPER CVR
F14	240505801	SWITCH-LIGHT/LAMP
F14A	241547901	SWITCH-LIGHT/LAMP,FRZR DOOR

NI	240494001	PLUG-BUTTON,WHITE ,CAB LINER HOLES
NI	241550701	GROMMET-SHELF MTG, .96`` LONG
NI	241868101	AIR GUIDE
NI	241890601	LOUVER,AIR SUPPLY ,CRISPER

FFHS2622MMB SHELVES

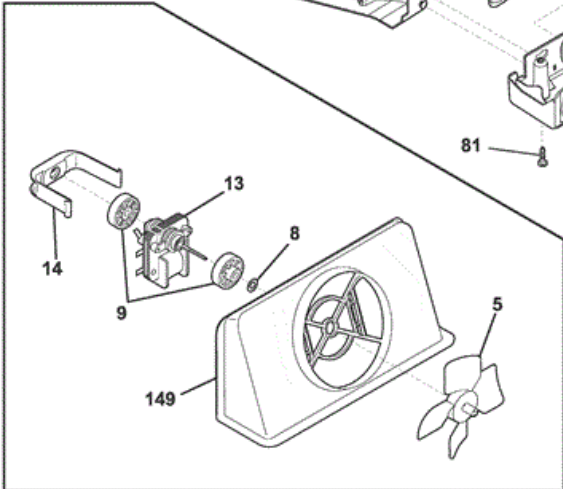
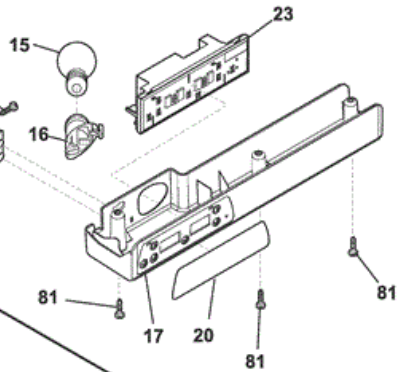
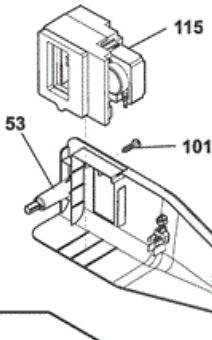
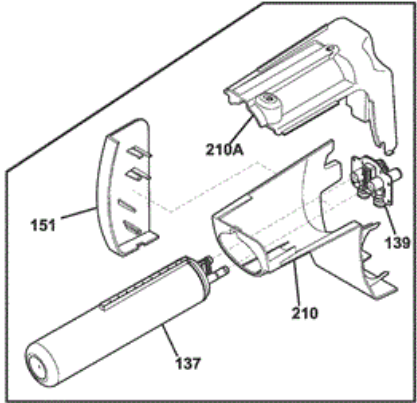
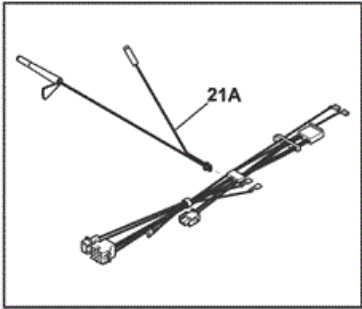




FFHS2622MMB SHELVES

11	241657602	SHELF,FLIP UP ,WIRE
11A	241657502	SHELF,FIXED ,FREEZER
11B	241657504	SHELF,FIXED ,UPPER ,FREEZER
21	5304455658	SCREW,HX WSHR HD SEMS ,8-15A X 0.625
24	240355270	SHELF-``SPILL-SAFE`` ,FIXED
25	240599301	COVER-CRISPER PAN,UPPER
25A	240350903	COVER-CRISPER PAN,LOWER
26	240351061	PAN-CRISPER,UPPER
26A	240362201	CONTROL-HUMIDITY
27	240351207	PAN-CRISPER,LOWER
47	240350649	INSERT-PAN COVER,GLASS
47A	240350603	INSERT-PAN COVER,GLASS
49	240564401	BASKET-SLIDING
51	240343002	HANGER-BASKET,RH
52	240343102	HANGER-BASKET,LH
81	5304455650	SCREW,HEX WASHER HEAD ,8-15A X 0.625 ,
97	240545310	WATER TANK
101	218493101	SCREW,HEX WASHER HEAD ,8-18AB X 1-3/4
126	241674401	CHANNEL,AUGER MTG ,LH
126	241674402	CHANNEL,AUGER MTG ,RH
140	240430501	CHANNEL,WTR TUBE COVER
NI	240349801	CLIP-SLIDE,PAN
NI	240362101	CLIP-SLIDE,COVER
NI	241595202	CLIP-SLIDE,CRISPER
NI	241868101	AIR GUIDE
NI	242103001	CONNECTOR-WATER,STRAIGHT ,5/16 TO 5/16
NI	242110281	LABEL-ENERGYGUIDE,ENERGY GUIDE
NI	242200101	CLIP,TUBING ,90 DEG ELBOW

FFHS2622MMB CONTROLS

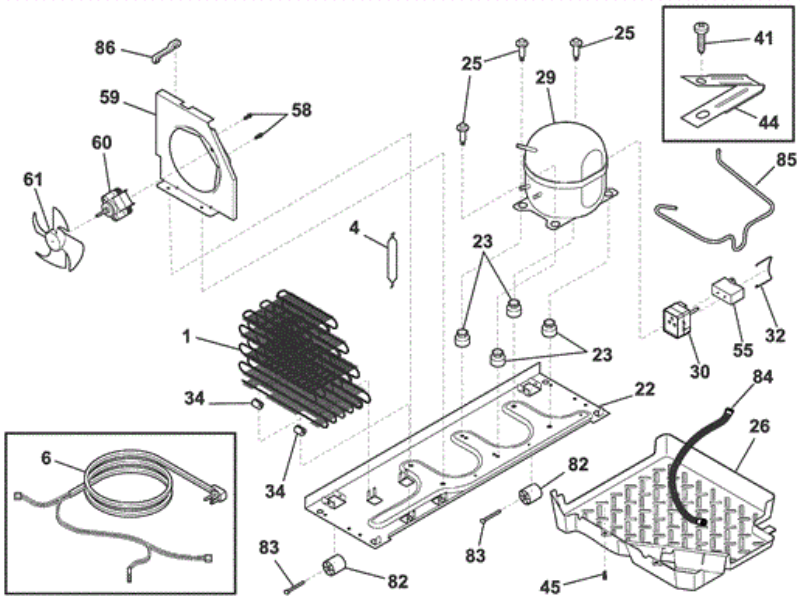
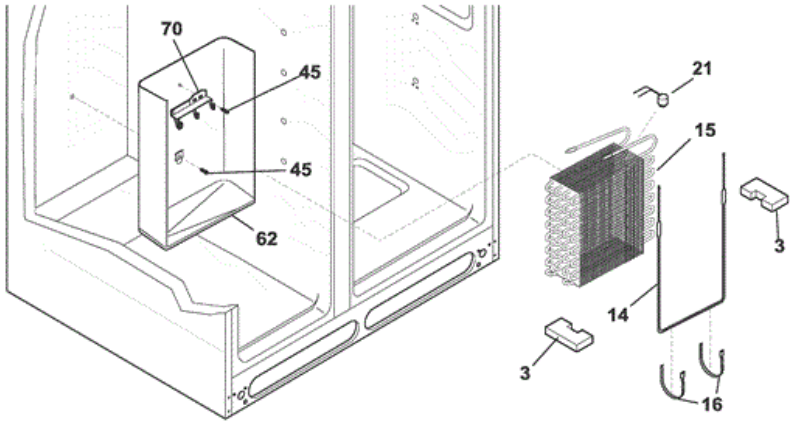




FFHS2622MMB CONTROLS

8	215474201	WASHER, ``SLINGER`` ,NYLON ,EVAP FAN SHAFT
9	241563601	BUSHING-MOTOR MTG
14	242135301	CLIP ,EVAP FAN MOTOR ,EVAP FAN MOTOR
17	241633511	BOX-CONTROL,FRONT
20	241604010	LABEL-CONTROL BOX
53	241608902	BOX-CONTROL
81	5304455650	SCREW,HEX WASHER HEAD ,8-15A X 0.625 ,
101	241637202	SCREW,HEX SEMS HEAD ,8-18AB X 1-3/4
139	242009601	BASE-WATER FILTER
149	241563501	SHROUD-FAN ORFICE
151	242069701	COVER-WATER FILTER
210	241983814	HOUSING-WATER FILTR
F115	242303001	DAMPER ASSY,W/SEAL
F13	241854601	MOTOR-EVAP FAN
F137	242069601	FILTER-WATER,CARBON
F149	241528306	SEAL,SHROUD
F15	241555401	LIGHT BULB
F16	218906802	SOCKET-LIGHT/LAMP
F21	242303101	WIRING HARNESS,ASSEMBLY ,CONTROL BOX ,
F210	241998302	MOUNT-WATER FILTER
F21A	242278801	THERMISTOR ASSEMBLY,REFRIG/FREEZER ,
F23	242207704	CONTROL,ELECTRONIC ,W/COVER
F5	5308000010	FAN BLADE,RED ,EVAPORATOR FAN
NI	240570304	TAPE,ALUMINUM ,3`` WIDE

FFHS2622MMB SYSTEM



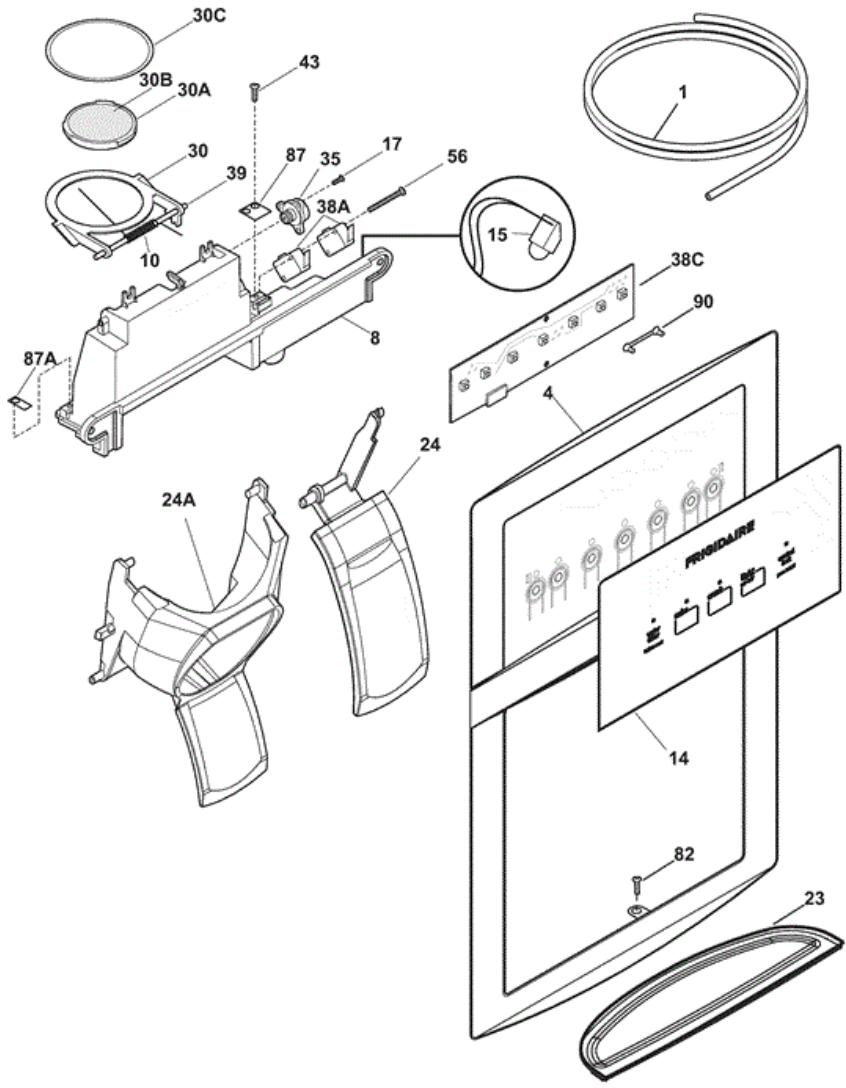


FFHS2622MMB SYSTEM

3	218679614	BLOCK-EVAP COIL,STYROFOAM ,(2)
16	5308000110	STRAP-EVAP/HEATER,ALUMINUM ,(2)
22	240330012	BASE-COMPRESSOR
23	241659701	GROMMET-COMPR MTG,COMPRESSOR ,(4)
25	240491503	SCREW-COMPRESSOR MTG,1/4-28 X 1.16 ,(4)
26	241697602	PAN-DEFROST
32	241650901	CLAMP,ELEC CONT MTG ,COMPRESSOR
34	240405201	GROMMET,RUBBER ,BLACK ,COND TUBE/WIRE
41	240555002	SCREW-NO.8-32 X 3/8
44	215174700	CLAMP, SERVICE CORD, STRAIN RELIEF
45	5304455650	SCREW,HEX WASHER HEAD ,8-15A X 0.625 ,
58	240569201	SCREW,8-18 X 0.500
59	241946106	SHROUD-COND FAN
61	241639501	BLADE-CONDENSER FAN
62	240429405	TROUGH-DRAIN
70	218990801	BRACKET-EVAP/CVR MTG
82	5304418225	ROLLER,COMPRESSOR BASE ,REAR ,(2)
83	5304455655	RIVET,FLAT HEAD ,1/4 OD X 1-3/4 ,
84	241830903	TUBE-DRAIN,LOWER
85	241856903	TUBE-CONNECTOR,SUCTION
86	240409302	SPACER-COND TUBE,BLACK
F1	242039204	CONDENSER
F14	242044113	HEATER-DEFROST
F15	5303918284	EVAPORATOR KIT
F21	5303918214	THERMOSTAT-DEFROST,KIT
F29	241650202	COMPRESSOR,W/O ELECTRICALS
F30	241707701	STARTER,PTC
F4	242047603	DRYER-FILTER
F55	297286803	CAPACITOR-RUN
F6	242019501	HARNESS-WIRING,MACHINE COMPT.
F60	242018301	MOTOR-CONDENSER FAN
FNI	242303101	WIRING HARNESS,ASSEMBLY ,CONTROL BOX ,
FNI	5303918328	HEAT EXCHANGER KIT,SUCTION LINE ,

NI	218252201	SCREW,NO.8 TRUSS HD ,10-32CA X 0.500
NI	240346701	TAPE-FOAM SEAL,SHROUD
NI	240359403	SCREW-FAN SHROUD,(2)
NI	242036801	CLIP-TUBE,DRAIN
NI	5303918222	HOT TUBE REPAIR KIT,SERVICE

FFHS2622MMB ICE & WATER DISPENSER





FFHS2622MMB ICE & WATER DISPENSER

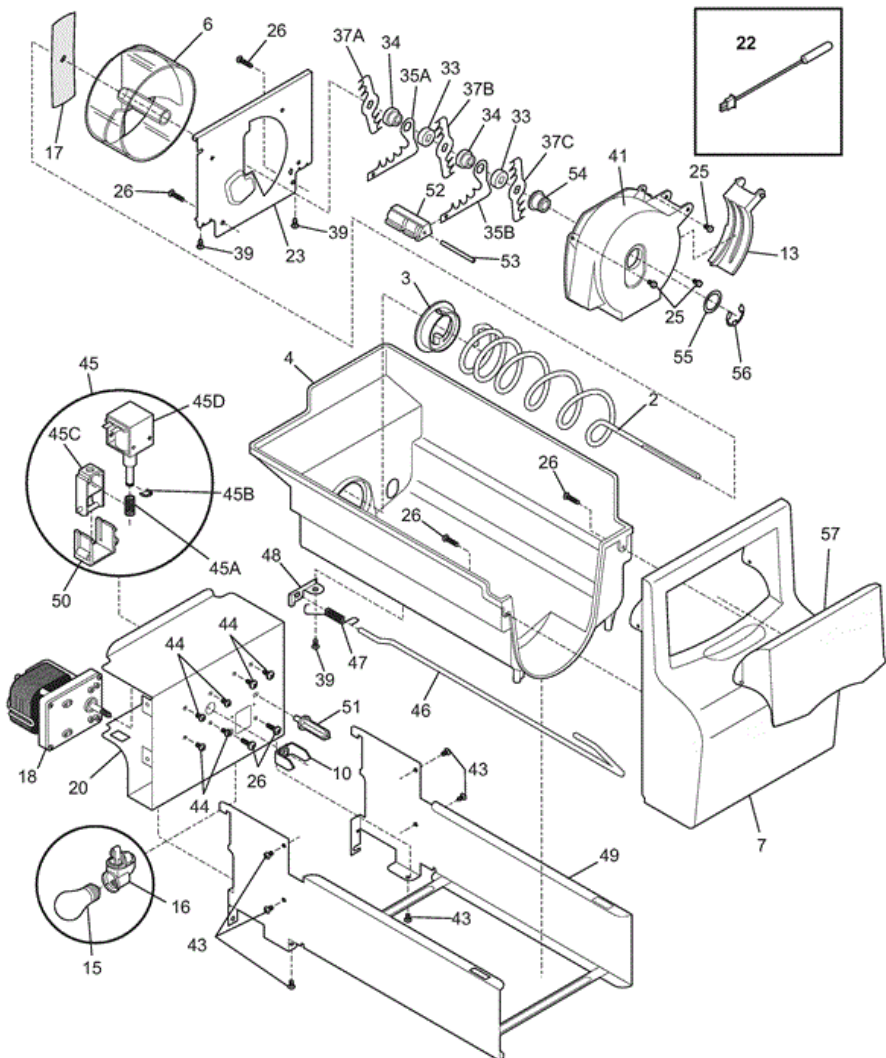
1	218976409	TUBE,WATER ,60`` ,NATURAL ,DOOR
4	241946813	COVER-MODULE,BLACK
8	242083403	MODULE-DISPENSER
10	241688901	SPRING-TORSION
14	242083003	LABEL-MODULE COVER,BLACK
17	241679801	SCREW
23	241947003	DRIP TRAY,BLACK
24	242083608	ACTUATOR-WATER,BLACK
24A	242083503	ACTUATOR-ICE,BLACK
30	241688401	DOOR ASSY-ICE CHUTE
30A	241688501	DOOR CENTER
30B	241688601	INSULATION-DOOR
30C	241688701	DOOR SEAL
35	241689301	DAMPER-ROTARY
39	241688801	PIN-HINGE
43	215296301	SCREW,PLASK H/L ,NO.6 X 3/8
56	241689201	SCREW-MICRO SWITCH,PAN HEAD
82	240363402	SCREW,PLASK ,NO.8-18 X .500
87	241688302	BEARING PLATE
87A	241688301	BEARING PLATE
90	241732703	LIGHT PIPE,REFLECTOR
F15	242070901	LIGHT-LED
F38A	241689104	SWITCH-MICRO,SINGLE POLE ,DOUBLE THROW
F38A	242065203	HARNESS ASSEMBLY,COMPLETE ,DISP. MODULE
F38C	241953907	SCREW,NO.8-18
F38C	242053503	BOARD-CONTROL
FNI	242207001	HARNESS,WIRING ,DISPENSER DOOR
NI	218976419	TUBE-WATER INLET,5/16 - 34`` ,YELLOW ,
NI	218976429	TUBE-WATER INLET,5/16 - 97.50`` ,
NI	218976915	TUBE-WATER INLET,INLET VALVE ,
NI	240561701	SEAL-WATER INLET,INLET VALVE ,

Distribuidor Autorizado

SurteRápido.com

Venta de Refacciones
Electrodomesticas

FFHS2622MMB ICE CONTAINER



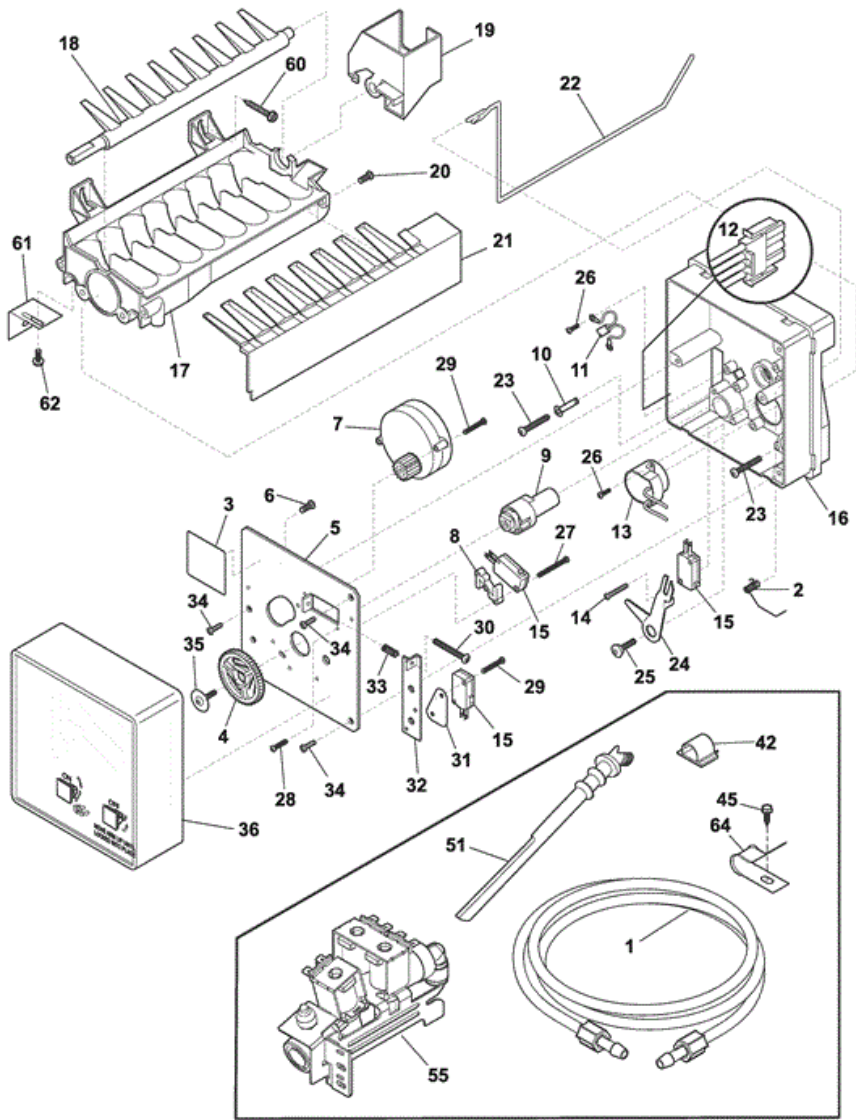


FFHS2622MMB ICE CONTAINER

2	241716101	AUGER-ICE
3	241685201	CAM-DRIVE
4	241734001	CONTAINER-ICE,BUCKET ONLY
6	241685103	DRUM-ICE DISP
7	241734201	FRONT-ICE CONTAINER
10	241726501	BAR-DRIVE
13	241685301	GATE
17	241684501	DRIVE BLADE
20	241734902	COVER,MOTOR
22	240597203	SENSOR,TEMPERATURE ,10K ,NTC
23	241684001	PLATE-FRONT
25	241690701	SCREW,HEX WASHER HEAD ,8-32T X 0.375
26	215503205	SCREW,CR PAN HD ,10-16 X 0.500
33	241684801	SPACER
34	241689801	SPACER
35A	241684301	FIXED BLADE,ROUND
35B	241684201	FIXED BLADE,SQUARE
37A	241684101	BLADE,CRUSHER NO.1
37B	241684102	BLADE,CRUSHER NO.2
37C	241684103	BLADE,CRUSHER NO.3
39	241690501	SCREW
41	241685601	HOUSING-CRUSHER
43	218359202	SCREW,PAN HEAD ,8-32 X 0.250
44	241842101	SCREW,8-32 X 1/4
45A	241675902	SPRING-SOLENOID
45B	241676001	E-RING-SOLENOID
45C	241676101	ACTUATOR-SOLENOID
46	241716002	CONTROL ROD
47	241731801	SPRING-CONTROL ROD
48	241684602	BRACKET-CONTROL ROD
49	241734501	RAIL ASSY
50	241675601	GUIDE-SOLENOID
51	241676301	ROTATION STOP

52	241684901	SPACER-FIXED BLADES
53	241690402	PIN-SPIRAL, FIXED BLADES
54	241685001	NUT-AUGER
55	241690306	WASHER
56	241690201	E-RING
57	241734101	DOOR-ACCESS
F15	241555401	LIGHT BULB
F16	241559801	SOCKET-LIGHT
F18	241676201	MOTOR-AUGER
F45	241675704	SOLENOID ASSY, 115V
F45D	241675803	SOLENOID, 115V
FNI	241522901	HARNESS-WIRING, ICMKR/CONTAINER
NI	240507202	DEFLECTOR-ICE CONTAINER
NI	241519401	CLIP, SENSOR
NI	241860803	ICE CONTAINER ASSY, W/MOVING PARTS

FFHS2622MMB ICE MAKER





FFHS2622MMB ICE MAKER

1	218976409	TUBE,WATER ,60`` ,NATURAL ,DOOR
2	5304456650	SPRING-SHUTOFF ARM,ICE MAKER
3	5304456657	NAMEPLATE
4	5304456658	GEAR
5	5304456659	PLATE-MOUNTING
6	5304456691	SCREW,M 3X20 NO.3 ,VALVE PLATE
8	5304456661	SPACER-HOLD SWITCH
9	5304456662	CAM
10	5304456689	WASHER,NYLON
12	5304456664	HARNESS-WIRING
13	5304456665	THERMOSTAT,ICE MAKER
14	5304455676	SCREW,PLASK ,4X14X3/4
16	5304456668	SUPPORT
17	5304456669	MOLD-ICE MAKER,W/THERM CUT OFF
19	5304456671	BEARING & INLET,FILL CUP
20	5304456677	SCREW,8-32 X 3/8
21	5304456672	ICE STRIPPER
22	5304456673	SHUT-OFF ARM
23	5304456674	SCREW,M 4X25 NO.2 ,MOLD-TO-SUPPORT ,(2)
24	5304456675	LEVER ARM
25	5304456676	SCREW,M 4X12.8 NO.2 ,LEVER ARM/SPRT
26	5304455680	SCREW,PLASK ,4-14 X 3/8
27	5304456677	SCREW,M 3X25 NO.3 ,HOLD SWITCH MTG ,(2)
28	5304456660	SCREW,M 4X6 NO.2
29	5304456678	SCREW,M 3X12 NO.3 ,(2)
30	5304456679	SCREW-TIMING ADJ,M 4X25 NO.3
31	5304456680	INSULATOR
32	5304456681	PLATE-VALVE SWITCH
33	5304456682	SPRING,TIMING ADJUST
34	5304456683	SCREW,M 4X12 NO.2 ,(3)
35	5304456684	SCREW
36	5304456685	COVER-ICE MAKER
42	218515403	CLIP-GRILLE

45	5304455650	SCREW,HEX WASHER HEAD ,8-15A X 0.625 ,
51	241796405	TUBE-WATER FILL,EXTENSION
60	5303207328	SCREW, HEX WASHER HEAD, 8-15A X 1.000
61	5304456686	BRACKET-LEVELING,ICE MAKER
62	5304456687	SCREW-IM BRKT MTG,PAN HD PHILLIPS ,
64	5303001549	CLAMP,0.31 ID ,STEEL ,COPPER WTR LINE
F11	5304456663	THERMAL CUTOFF,ICE MAKER ,COMPLETE ASSY
F15	5304456667	SWITCH-MICRO,(3)
F18	5304456670	EJECTOR-ICE
F55	242252702	VALVE,SOLENOID ,TRIPLE
F7	5304445222	MOTOR-ICE MAKER SVO
FNI	241522901	HARNESS-WIRING,ICMKR/CONTAINER
NI	218709101	SCREW,HEX HEAD ,10-32 X 0.500
NI	218976419	TUBE-WATER INLET,5/16 - 34` ,YELLOW ,
NI	218976429	TUBE-WATER INLET,5/16 - 97.50` ,
NI	218976915	TUBE-WATER INLET,INLET VALVE ,
NI	240363602	SCREW-SHOULDER
NI	240542901	CAP-WATER VALVE
NI	240561701	SEAL-WATER INLET,INLET VALVE ,
NI	241642501	ICE MAKER,RADIUS CUBE ,115 V ,SVCE
NI	242103001	CONNECTOR-WATER,STRAIGHT ,5/16 TO 5/16
NI	5304445223	SPRING BEAM
NI	5304456666	SCREW,M 3X20 NO.2 ,(6)
NI	5304456688	TERMINAL
NI	5304456690	LABEL,ID PLATE
NI	5304456692	WASHER
NI	5304456693	NUT,M 3.5
NI	5304456737	WASHER