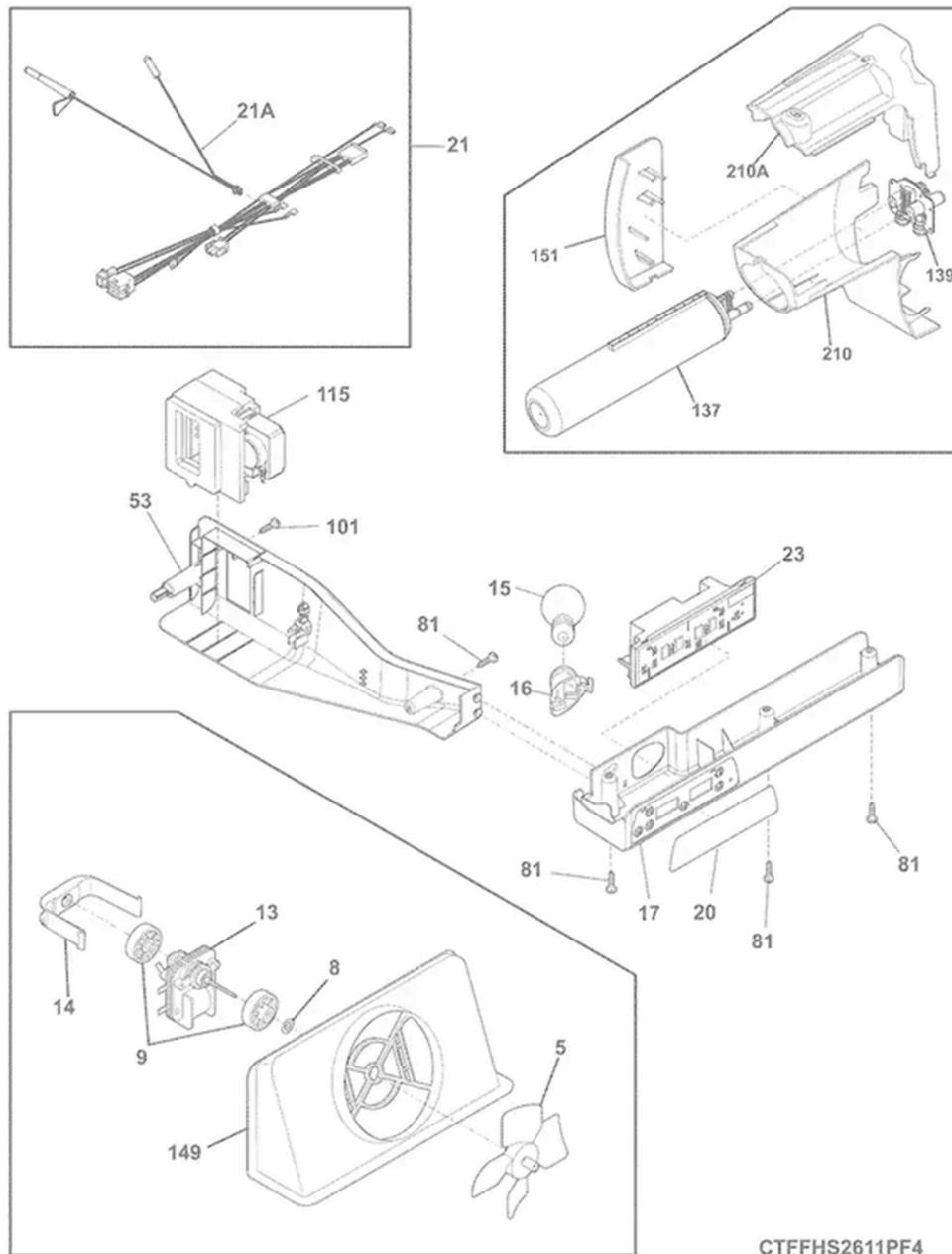
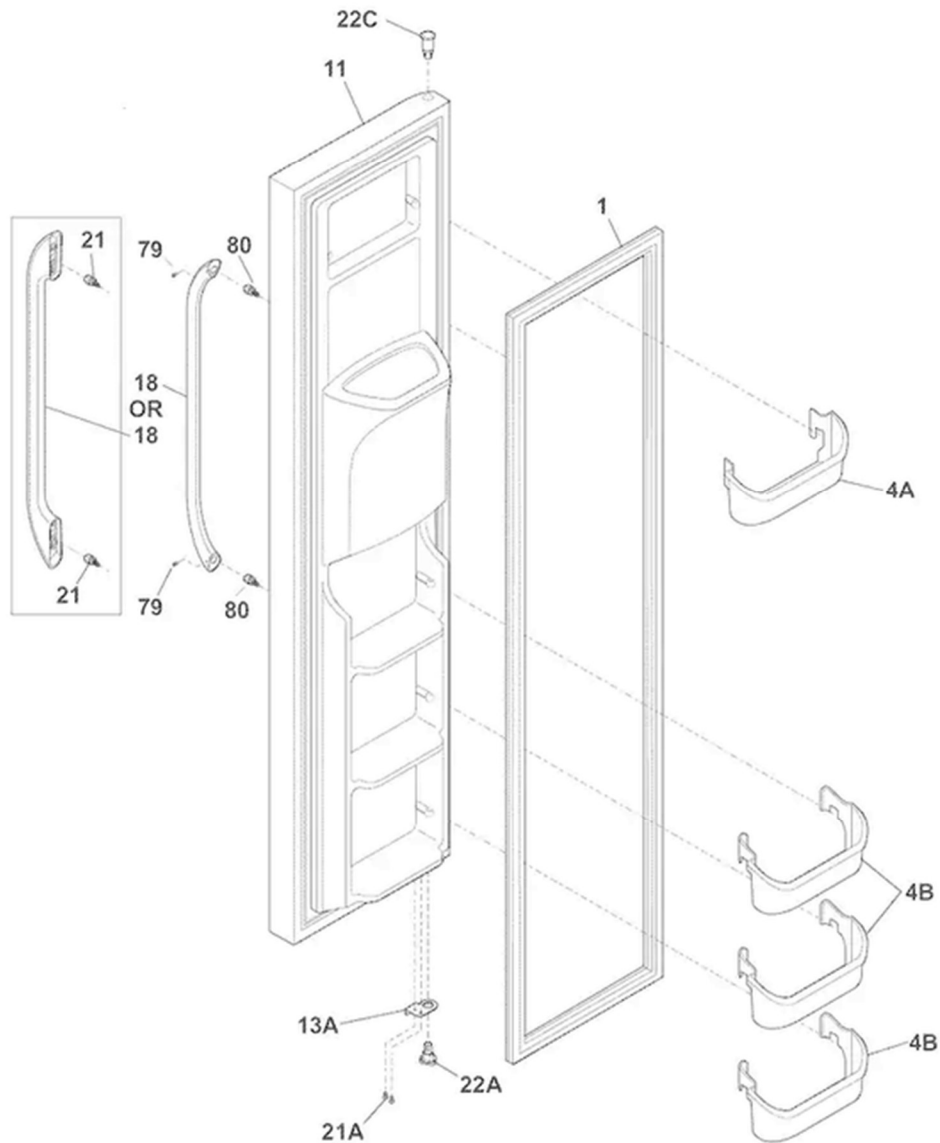


Guía	Descripción	# de parte
10	COVER-AIR DUCT	240435912
10A	COVER-EVAP COIL	241719711
11	Plug Button - White	5303208309
14	Light Switch	240505801
14A	Light Switch	241547901
21C	SCREW	218252201
21D	Pan Head Screw	218781101
22	Door Closing Cam	241917801
28	ROLLER Assembly	5304499445
30	Lower Hinge with Screw - Right Side	241918001
30A	BRACKET-LOWER HINGE	241918004
37	TRIM-CABINET CORNER	242161202
38	Upper Hinge Bracket	241761301
38A	Upper Hinge Bracket	241761302
40	COVER-UPPER HINGE	241946715
40A	COVER-UPPER HINGE	241946716
41	Shelf Mounting Grommet	241550801
42	Hinge Mounting Hexagonal Screw	240578902
43	Front Roller	240335006
45	SCREW	241500303
47	CHANNEL-SHELF Mounting	218659500
58	Screw	241548003
72	Kickplate Grille	240324411
74	Screw	218755402
81	Hex Head Screw	5304455650
82	Rear Roller - Black	5304418225
83	RIVET	5304455655
89	Access Panel	241733902
90	SEAL-COIL COVER	218249808
91	DUCT-ICE MAKER	240380101
92	Hexagonal Screw	241710601
100	Crisper Support - Rear	241993001
100	Crisper Cover Support - Front	241993101



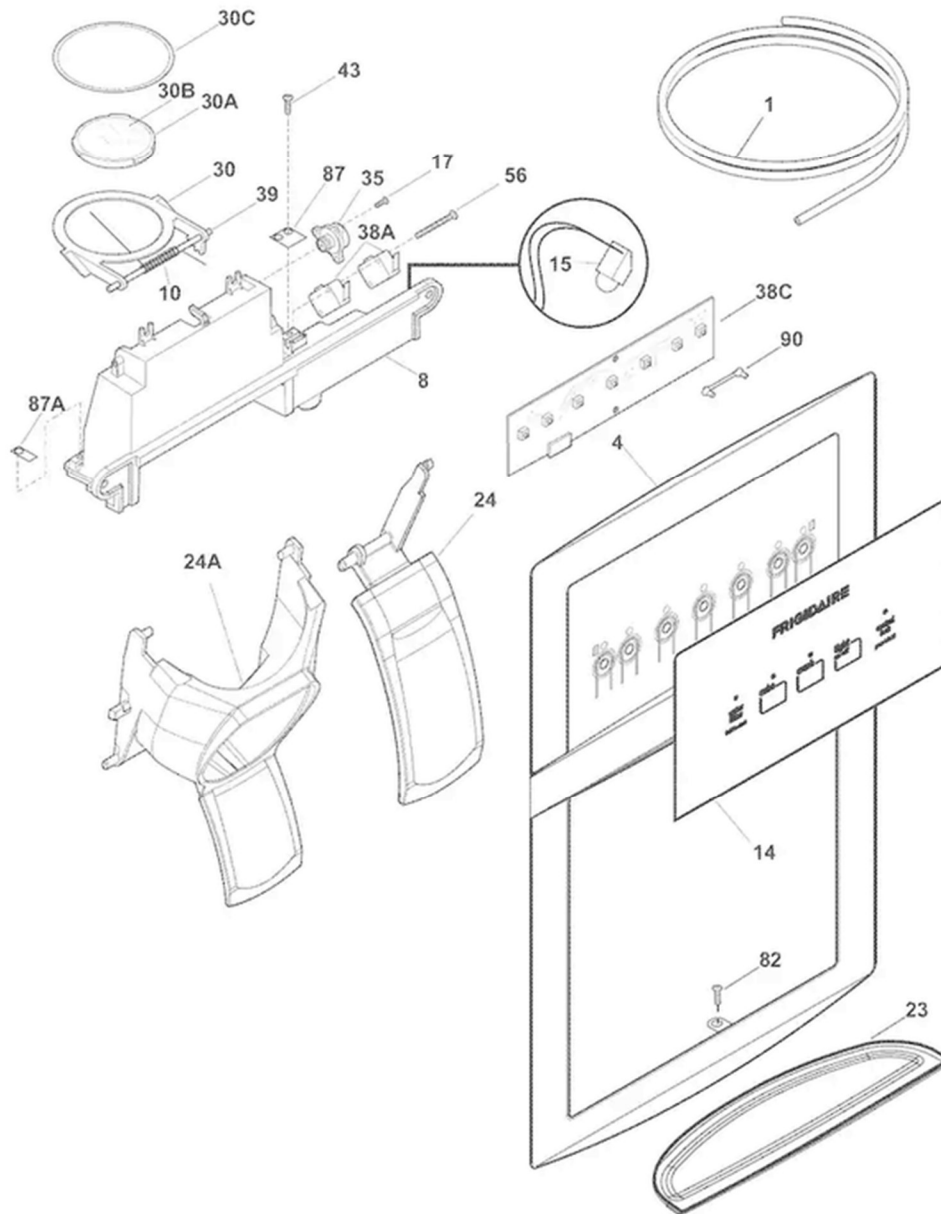
CTFFHS2611PF4

Guía	Descripción	# de parte
5	Evaporator Fan Blade	5308000010
8	Evaporator Fan Shaft Washer	215474201
9	Bushing Motor Mounting	241563601
13	Refrigerator Evaporator Fan Motor	808602602
14	Evaporator Fan Motor Bracket	242135301
15	Light Bulb	316538904
16	Light Socket	218906802
17	BOX-CONTROL	241633511
20	LABEL-CONTROL BOX	241604010
21	WIRING HARNESS	5304521777
21A	THERMISTOR ASSEMBLY	242278801
23	Electronic Control Board	A01078804
53	BOX-CONTROL	241608902
81	Hex Head Screw	5304455650
101	SCREW	241637202
115	Damper Control Assembly	242303001
137	Refrigerator Water Filter	WF3CB
139	Water Filter Base	242009602
149	SHROUD ASMY	242204506
149	SEAL	241528303
151	Water Filter Cap	242069701
210	Water Filter Housing	241983814
210	MOUNT-WATER FILTER	241998303



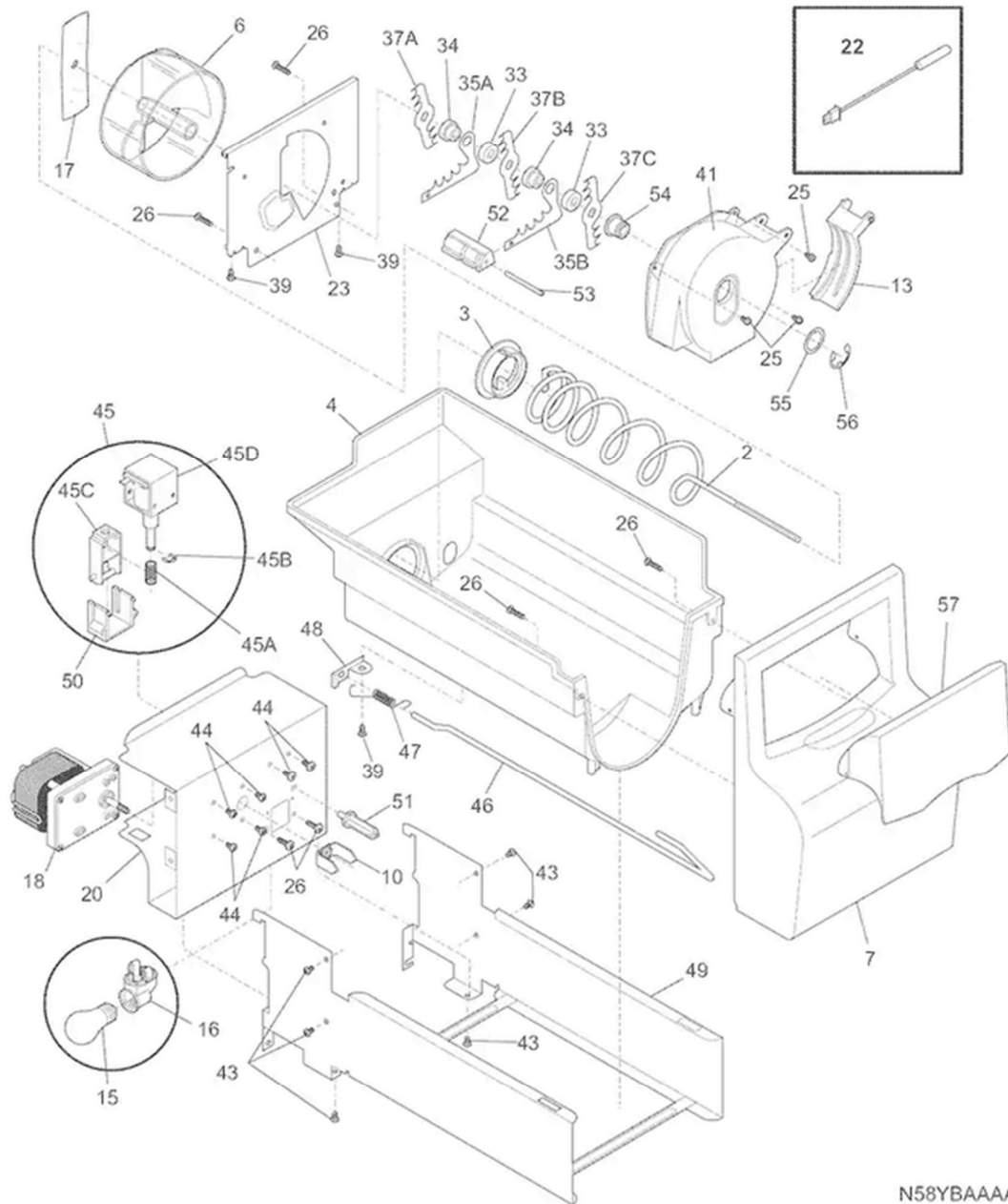
N58FTDEBC0

Guía	Descripción	# de parte
1	Freezer Door Gasket - Black	241786006
4A	Freezer Upper Door Bin	240334201
4B	Door Shelf	240351601
11	Display DOOR-Freezer	242026495
13A	STOP-DOOR/Freezer Black	241942604
18	HANDLE-DOOR	242059301
21A	SCREW-#10-32 X 3/4	240442706
22A	Freezer Hinge Bearing	241990302
22C	BEARING	241760402
79	Screw	218755402
80	Screw	218755504



F58XABAAA0

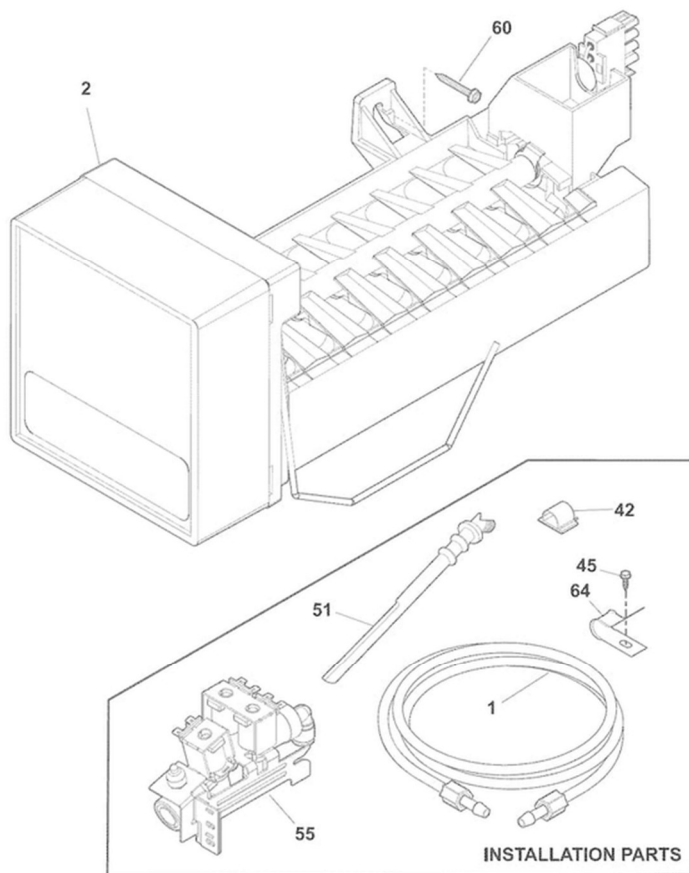
Guía	Descripción	# de parte
1	Water Tube	218976409
4	Exterior Dispenser Panel - Black	241946813
8	MODULE-DISPENSER	242083403
10	DOOR SPRING	241688901
14	LABEL-MODULE COVER	242083003
15	HARNESS-WIRING	242065203
17	Mounting Screw	241679801
23	DRIP TRAY	241947003
24	ACTUATOR-WATER	242083608
24A	ACTUATOR	242083503
30	Ice Chute Door	241688401
30A	Dispenser Door Flap - Black	241688501
30B	Door Insulation	241688601
30C	Ice Dispenser Door Seal	241688701
35	DAMPER-ROTARY	241689301
38A	SWITCH-MICRO	241689104
38A	HARNESS-WIRING	242065203
38C	BOARD-CONTROL	242053503
39	Ice Chute Door Hinge Pin	241688801
43	SCREW	5304455699
56	SCREW-MICRO SWITCH	241689201
82	Screw,control mtg.	5304453707
87	Dispenser Ice Chute Door Bearing Plate - Right	241688302
87A	Bearing Plate	241688301
90	LIGHT PIPE	241732703



N58YBAAAA7

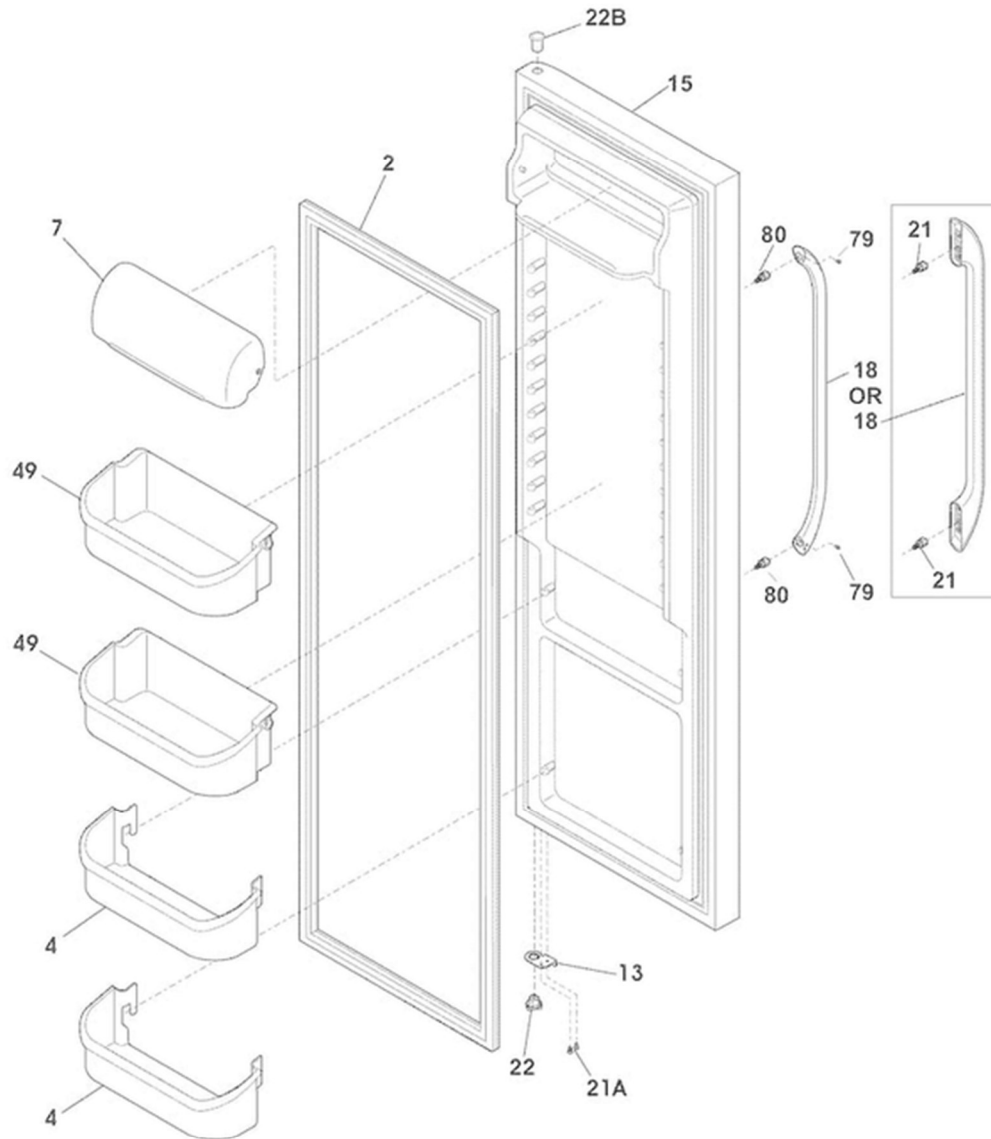
Guía	Descripción	# de parte
2	Ice Auger	241716101
3	Cam Drive	241685201
4	Ice Container/Bucket	241734001
6	Ice Dispenser Drum	241685101
7	FRONT-ICE CONTAINER	241734201
10	Drive Bar	241726501
13	Dispenser Crusher Housing	241885001
15	Light Bulb	316538904
16	Light Socket	241559801
17	DRIVE BLADE	241684503
18	Auger Motor	242221501
20	COVER	241734902
22	Temperature Sensor	240597203
23	Front Plate	241684001
25	SCREW-#8-32 X 3/8	240555002
26	SCREW	241690602
33	SPACER	241684802
34	SPACER	241689802
35A	Refrigerator Ice Crusher Fixed Blade	241684303
35B	FIXED BLADE,SQUARE	241684203
37A	BLADE	241684107
37B	BLADE	241684108
37C	BLADE,CRUSHER #3	241684109
39	SCREW	241690501
41	Dispenser Crusher Housing	241885001
43	SCREW	218359202
44	SCREW	218359202
45	Refrigerator Ice Dispenser Solenoid	241675704
45A	SPRING-SOLENOID	241675902
45B	Solenoid E-Ring	241676001
45C	Actuator Solenoid - White	241676101
45D	Ice Solenoid	241675803
46	Ice Dispenser Actuator Rod	241716002
47	SPRING-CONTROL ROD	241731801
48	BRACKET-CONTROL ROD	241684602
49	RAIL	241734501
50	GUIDE-SOLENOID	241675601
51	ROTATION STOP	241676301
52	SPACER-FIXED BLADES	241684901

Guía	Descripción	# de parte
53	PIN-SPIRAL	241690402
54	Auger Nut	241685001
55	Washer	241690306
56	E-Ring	241690201
57	Access Door	241734101



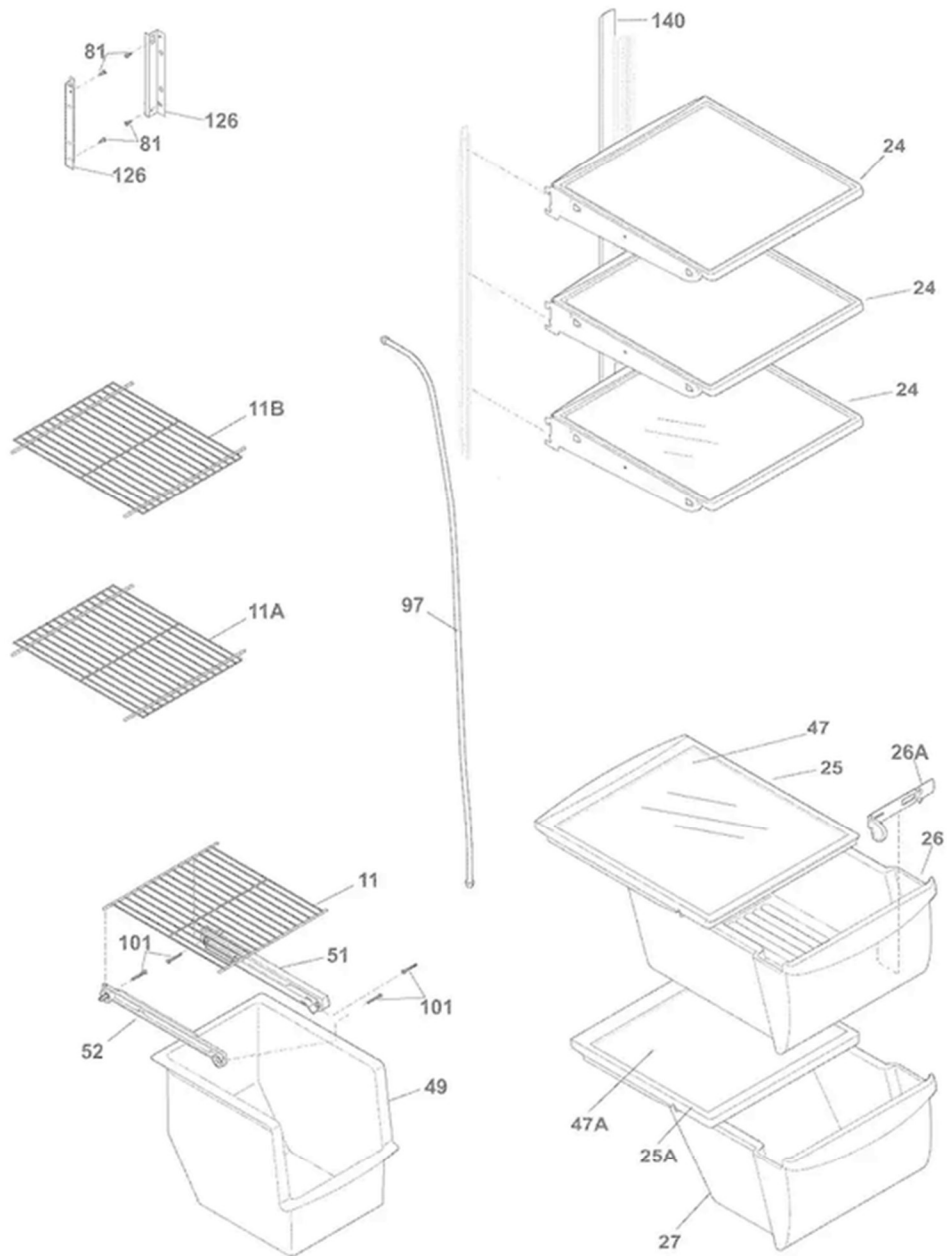
IMFFHS2622MSN

Guía	Descripción	# de parte
1	Refrigerator Dispenser Water Tube	218976438
2	Refrigerator Ice Maker Assembly	241798231
42	Clip	218515401
45	Hex Head Screw	5304455650
55	Refrigerator Water Inlet Valve	242252702
60	SCREW	5304455852
64	CLAMP	5304455846



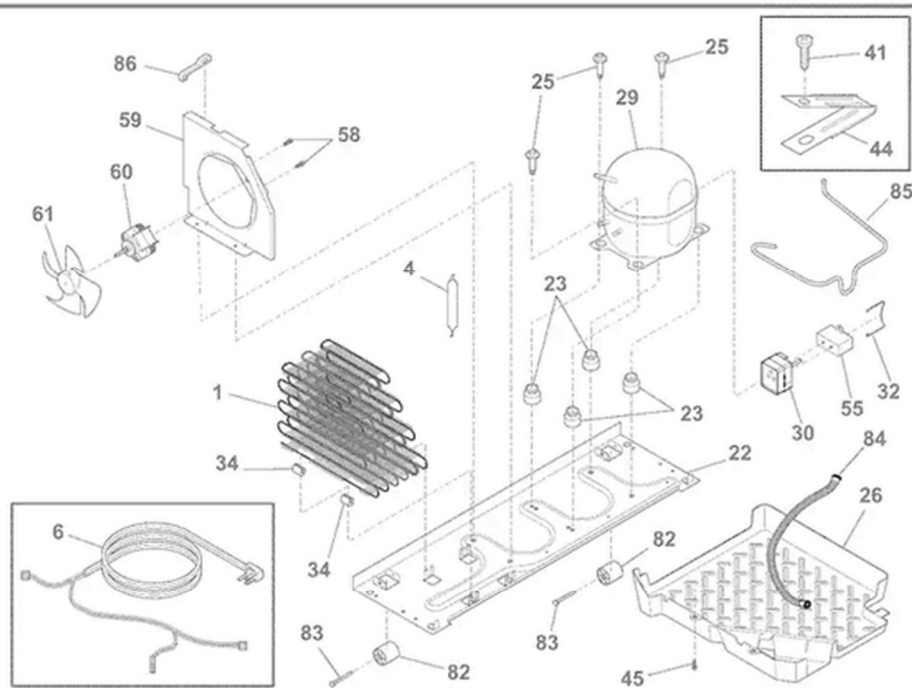
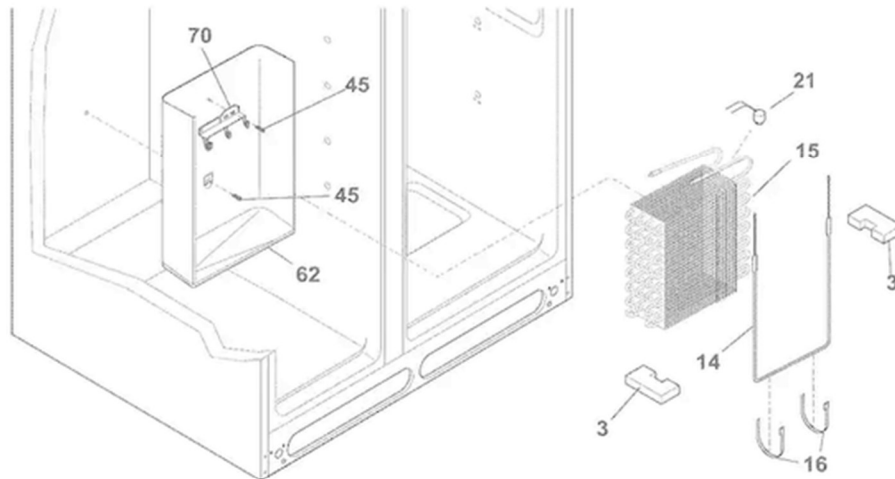
N58RTDACB0

Guía	Descripción	# de parte
2	Fresh Food Door Gasket - Black	241786005
4	Refrigerator Door Bin	240323001
7	Dairy Door	240326203
13	Door Stop - Black	241942603
15	Refrigerator Door - Stainless	242038846
18	HANDLE-DOOR	242059301
21A	SCREW-#10-32 X 3/4	240442706
22	Hinge Bearing	241990301
22B	BEARING	241760404
49	Door Bin	240356401
79	Screw	218755402
80	Screw	218755504



SHFFHS2622MWKA

Guía	Descripción	# de parte
11	Crisper Pan Slide Clip	241595202
11A	Fixed Freezer Shelf	241657502
11B	Upper Freezer Fixed Shelf	241657504
24	Spill Safe Shelf	240355270
25	Upper Crisper Drawer Frame	240599301
25A	Crisper Drawer Cover - NO Glass	240350903
26	Refrigerator Crisper Drawer	240351061
26A	Humidity Control Slide	240362201
27	Lower Crisper Pan	240351207
47	Crisper Glass Insert	240350649
47A	Pan Cover Insert	240350603
49	Sliding Basket	240564401
51	Basket Hanger - Right Side	240343002
52	Basket Hanger - Left Side	240343102
81	Hex Head Screw	5304455650
97	TUBE-WATER INLET	242220208
101	Screw - Hex Washer Head	218493101
126	Channel, auger Mounting ,LH	241674401
126	Channel, auger Mounting ,RH	241674402
140	CHANNEL	240430501



SYFFHS2622MB2

Guía	Descripción	# de parte
1	CONDENSER	242106605
3	BLOCK-EVAP COIL	218679614
4	Filter - Drier	5303305677
6	HARNESS-WIRING	5304521699
14	Defrost Heater	242044113
15	EVAPORATOR KIT	5303918284
16	Aluminum Heater Strap	5308000110
21	Defrost Thermostat Kit	5303918214
22	BASE-COMPRESSOR	240330014
23	Compressor Mounting Grommet	218513300
25	SCREW-COMPRESSOR MT	240491503
26	PAN-DEFROST	241697602
29	COMPRESSOR W DRAIN CLIP	240550948
30	Start Device	297259515
32	CLIP	216954300
34	Condenser Coil Grommet	240405201
41	SCREW-#8-32 X 3/8	240555002
44	CLAMP-WIRING HARNES	5303001199
45	Hex Head Screw	5304455650
55	Run Capacitor - 120V	297286803
58	SCREW	240569202
59	SHROUD-COND FAN	241946106
60	Condenser Fan Motor	242018301
61	BLADE-CONDENSER FAN	241639502
62	TROUGH-DRAIN	5304532798
70	BRACKET-EVAP/CVR MT	218990801
82	Rear Roller - Black	5304418225
83	RIVET	5304455655
84	TUBE-DRAIN	241830905
85	TUBE-CONNECTOR	241856909
86	SPACER-COND TUBE	240409302



* CAPACITOR IS ONLY USED WITH SOME PTC MODELS

