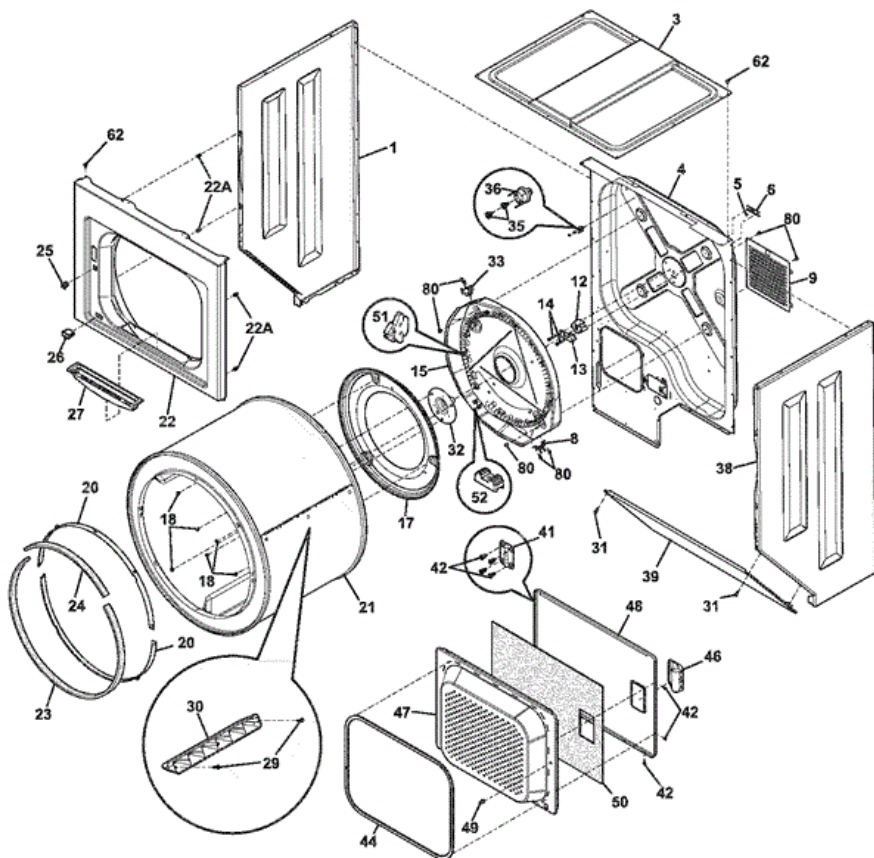


Distribuidor Autorizado

SurteRápido.com

Venta de Refacciones  
Electrodomesticas

# FFLE1011MW0 TAMBOR



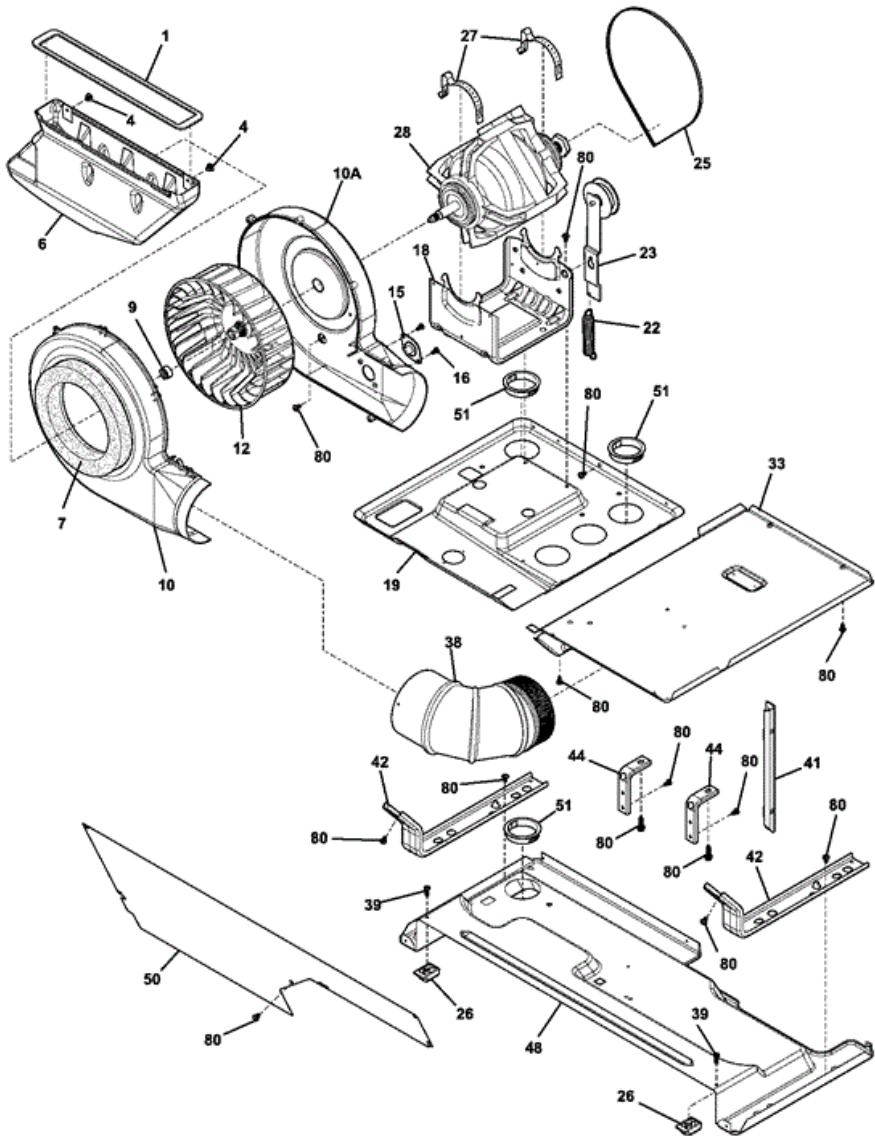


## FFLE1011MW0 TAMBOR

1	137510410	PANEL,LEFT SIDE ,WHITE
15	137392700	HEATER ASMY W/HOUSING,ELECT W/THERM
3	137190810	PANEL,WASHER TOP LC ,WHITE
4	137491301	PANEL,REAR, DRYER ,STAINLESS
5	5303281019	BALL,GROUNDING
6	5303281020	CLIP,BALL ,STEEL ,FLAT NUT
8	137032600	LIMITER,THERMAL ,HEATER
9	5304488480	PANEL,MOTOR ACCESS ,WASHED
12	131825900	BEARING-DRUM SUPPORT
13	131724300	BRACKET,BEARING SUPPORT
14	131205400	SCREW,BRACKET MTG. ,10-16B X 1.375 ,CR/SQ DRIVE
17	3204254	BAFFLE,HEATER SHIELD
18	131477000	SCREW,10-16AB X 0.375
20	137513300	GLIDE,FLAT, DRYER
21	134122531	DRUM,DRYER SVC KIT ,GALV. STEEL
22	137511810	PANEL,FRONT WELD ,WHITE
22A	137362600	PIN,PANEL LOCATOR
23	134134700	SEAL,FELT ,LOWER
24	134036400	SEAL,FELT ,UPPER
25	131658800	DOOR CATCH,UPPER
27	131359600	LINT TRAP
29	131382300	SCREW,QUADREX HEAD ,10-14 X 1.00 ,
30	5303201200	VANE,STRAIGHT
31	131202300	SCREW,10-16AB X 0.625
32	137088600	SHAFT,DRUM SUPPORT ,BALLHITCH
35	131892100	SCREW,6-20B X 0.230
38	137510510	PANEL,RIGHT SIDE ,WHITE
39	137546910	PANEL,ACCESS
41	134222900	HINGE,DRYER DOOR
42	134156200	SCREW,FLAT HEAD ,8-18AB X 0.44 ,QUAD DRIVE
44	137492200	GASKET,DOOR
46	131789400	HANDLE-DOOR, WHITE
47	137365110	PANEL,INNER DOOR ,WHITE

48	137408403	PANEL, OUTER DOOR , WHITE
49	5303211430	DOOR STRIKE
50	134535300	INSULATOR, HEAT SHIELD , OUTER DOOR
51	131472100	INSULATOR, HEATER HOUSING
62	131258400	SCREW, 10-16AB X 0.500
80	131168200	SCREW, PAN HEAD , 8-18B X 0.31
F26	134813600	SWITCH, DOOR
F33	3204267	THERMOSTAT-SAFETY
F36	134120900	THERMAL LIMITER
F52	3202786	TERMINAL BLOCK, HEATER HOUSING
FNI	137328900	WIRING HARNESS, DOOR SWITCH , W/O LIGHT
NI	131870700	PLUG-LIGHT HOLE

**FFLE1011MW0 TURBINA**

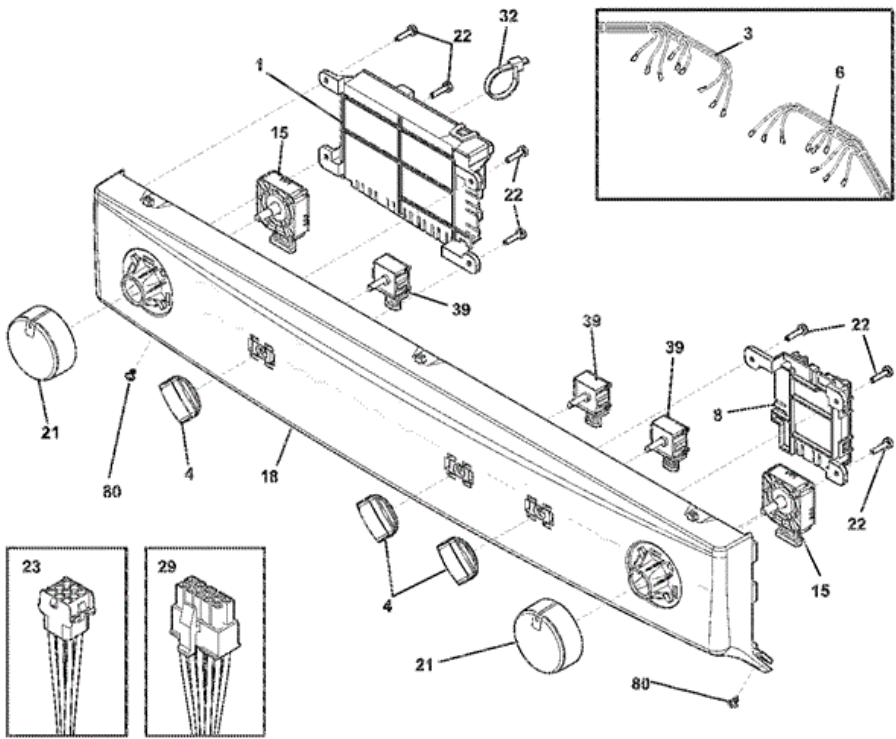




## FFLE1011MW0 TURBINA

1	131295200	SEAL-AIR DUCT
10A	134608200	HOUSING,BLOWER ,REAR
4	131362400	FASTENER,PUSH-IN
6	134086300	DUCT,AIR
7	3204490	SEAL-HOUSING TO AIR DUCT
9	5304488479	CLAMP
10	134611700	HOUSING,BLOWER ,FRONT ,WITH SEAL
12	131476300	BLOWER WHEEL
16	131243700	SCREW, PAN HEAD, 8-18AB X 0.375
18	131367100	CRADLE,MOTOR W/IDLER
19	137490900	PAN, UPPER L/C,DRYER, FORMED
22	3205241	SPRING-IDLER
23	131863100	IDLER ARM ASSY,WITH PULLEY
25	137051400	BELT,POLY V
26	137511300	BLOCK,SUPPORT
27	134242400	CLAMP,MOTOR MTG.
33	131731400	SHIELD,ACCESS AREA ,COVER
38	3204320	ELBOW,EXHAUST DUCT
39	131205100	SCREW,NO.8 PAN HEAD ,10-10B X 0.500 ,CR/SQ DRIVE
41	131091300	BRACKET,SUPPORT, SIDE
42	137304710	BRACKET,MARRIAGE, DRYER
44	3204326	BRACKET,L MOUNTING ,CABINET REAR ,EXTERNAL
48	137329110	PAN,BOTTOM LC DRYER
50	5304488478	COVER,SUPPORT, LCD
51	131453000	BUSHING,SNAP-IN
80	131168200	SCREW,PAN HEAD ,8-18B X 0.31
F15	134587700	THERMISTOR,CONTROL
F28	134196600	MOTOR,DRYER DRIVE ,WITH PULLEY
FNI	134101400	TERMINAL BLOCK,MAIN

**FFLE1011MW0 TABLERO**





**FFLE1011MW0 TABLERO**

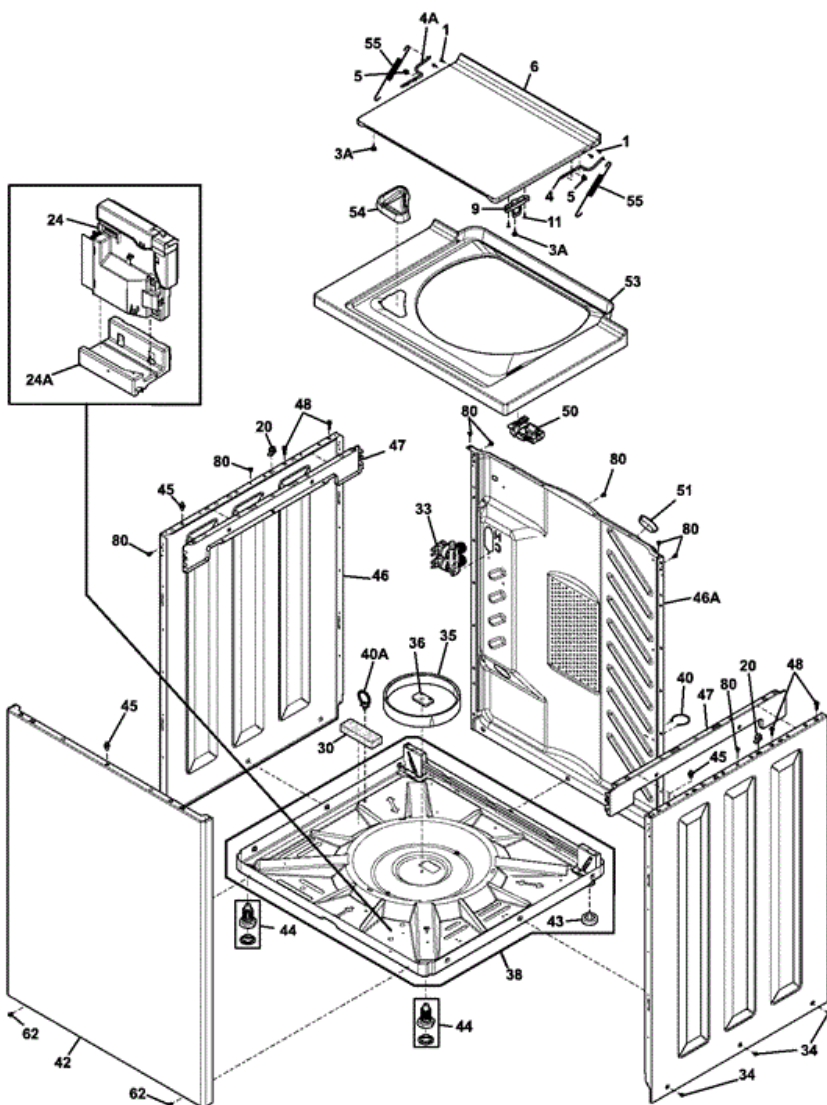
1	137275300	CONTROL BOARD,MAIN ,W/HOUSING
4	137191300	KNOB,SWITCH
18	137518410	CONSOLE,DECORATED ,WHITE
21	137489800	KNOB, CYCLE SELECTOR
22	131205100	SCREW,NO.8 PAN HEAD ,10-10B X 0.500 ,CR/SQ
32	5303321209	CABLE TIE,5.60 INCH ,PLASTIC
39N	137052500	SWITCH,OPTION 3 POS
3NO.	137329200	WIRING HARNESS,LC DRYER
6NO.	137156200	HARNESS,UI, WASHER, LC
80	134402900	SCREW,PHILLIPS ,6-19 X 0.650
8NO.	137332702	PC BOARD,COMMUNICATION ,W/HOUSING
F15	137493300	SWITCH,PTS CYCLE ,8 POSITION
F23	137161400	HARNESS,MAIN, LC
F29	137418900	WIRING HARNESS,LC DRYER ,ELECTRIC

Distribuidor Autorizado

SurteRápido.com

Venta de Refacciones  
Electrodomesticas

## FFLE1011MW0 GABINETE







## FFLE1011MW0 GABINETE

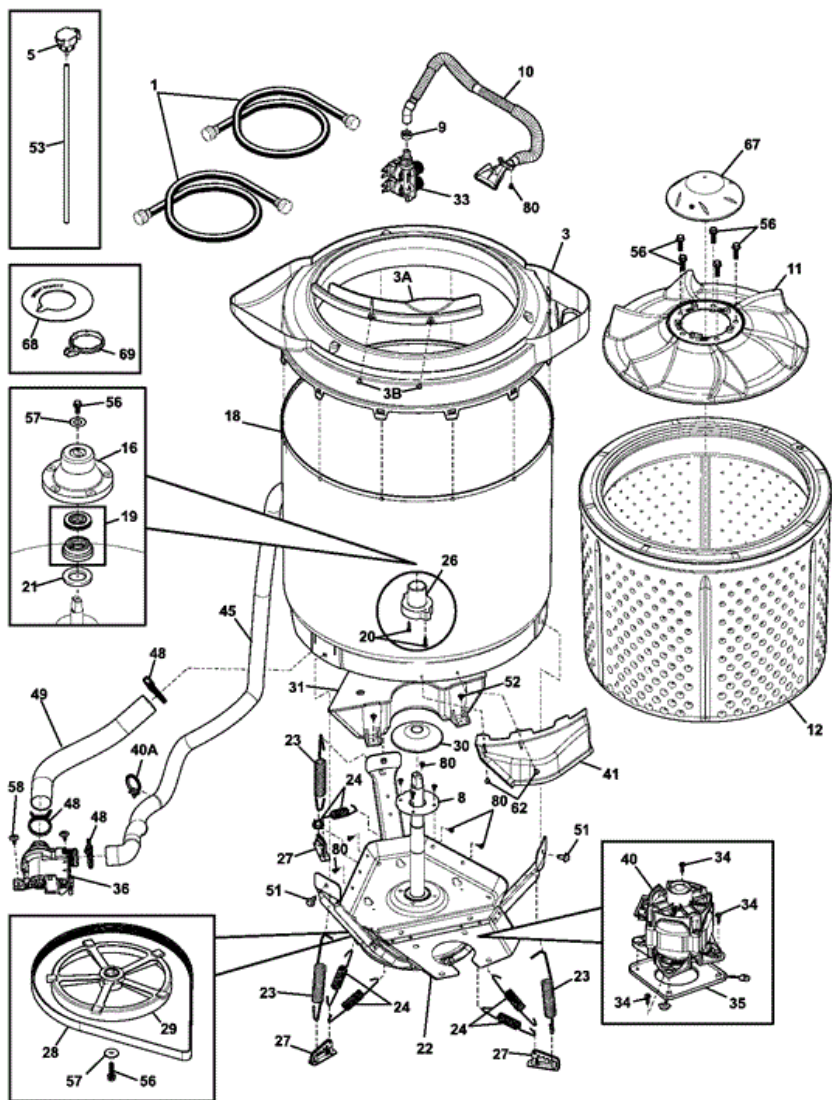
1	134203900	SCREW,PAN HD PHILLIPS ,6-32 X 0.337 ,DOG POINT
24A	137469200	BASE,MOTOR CONTROL
4	137469900	HINGE BAR,RH, LC
5	5304488483	GROMMET,HINGE ,ACETAL
6	5303212872	LID,WASHER ,WHITE
9	137513710	STRIKER,LID ,WHITE
11	3204368	SCREW,LID STRIKE MTG ,6-20B X 0.375
20	3204374	PIN,SLIDE ,SIDE TO TOP
30	131663500	CUSHION,DRAIN HOSE ,BASE
34	131205500	SCREW,CAB BODY ,1/4-14 X 0.625 ,SIDE-TO-BASE
35	5308002385	SNUBBER RING
36	3204380	SHIPPING BLOCK
38	137364600	BASE ASSEMBLY,SELF-LEVELING
3A	134075500	BUMPER,LID ,FRONT
40	5303309503	CLIP,DRAIN HOSE ,BACK SHEET
40A	134261300	CLIP,DRAIN HOSE ,PUSH-MOUNT
42	137455410	PANEL,FRONT, LC
43	131422200	PAD,SELF LVLG LEG ,REAR
44	5303309673	SCREW,LEVELING LEG ,WITH PAD
45	131346401	PIN,PANEL LOCATOR ,FRONT
46	137272610	PANEL,WASHER SIDE ,WHITE ,LH/RH
46A	137273201	PANEL,WASHER BACK ,WASHED
47	137304500	BRACKET, MARRIAGE,LH/RH WASHER
48	137329800	SCREW 12-24 UNC X .75 HEX,WASHER
4A	137470900	HINGE BAR,LH, LC
50	137353300	LOCK,LID ,EXTERNAL SWITCH
51	131453000	BUSHING,SNAP-IN
53	137190810	PANEL,WASHER TOP LC ,WHITE
54	5304488476	DISPENSER,BLEACH, LC
55	134890500	SPRING,LID ASSIST
80	131168200	SCREW,PAN HEAD ,8-18B X 0.31
F24	137469113	MOTOR CONTROL,MAIN PC BOARD
F33	137353500	VALVE-2 COIL,120V, WATER

Distribuidor Autorizado

SurteRápido.com

Venta de Refacciones  
Electrodomesticas

FFLE1011MW0 TINAS





## FFLE1011MW0 TINAS

1	137472301	HOSE ASMY,WATER INLETS ,4 FT. ,HOSE & WASHER
3	137305200	COVER, SPLASH TUB,WITH SEAL
8	137363400	COVER,BEARING
9	5304488479	CLAMP
10	137308000	HOSE,FILL NOZZLE ASY
11	137494000	WASH PLATE
12	137492900	TUB, SPIN,W/O LINT FILTER
16	137489100	TRUNNION,STANDARD
18	137326200	TUB,SPLASH ,W/AIR DOME/BRNG
19	137547700	TUB SEAL KIT
20	3205150	SCREW,TUB BEARING ,8-12B X 0.750
21	137272000	GROMMET,SEAL
22	137513900	LEG, DOME & BRACKETS
23	134885900	SPRING,VERTICAL
24	137272300	SPRING,HORIZONTAL
27	137491600	RETAINER,INSERT, SPRING
28	137051400	BELT,POLY V
29	137489000	PULLEY,DRIVE ,250 MM
30	137049800	SHIELD,SLINGER
31	137466600	COUNTERWEIGHT
34	137470600	SCREW 12-14X.75 QUAD HEX
35	137510300	PLATE,MOTOR ISOLATOR
3A	137419200	SHIELD,TUB COVER
3B	131302800	SCREW,QUADREX PH ,10-16AB X 0.5
40A	137324300	WIRING HARNESS,MOTOR
41	137282900	SHIELD,MOTOR
48	131306234	CLAMP,HOSE ,WIRE
51	137466300	SCR 5/16-18X.625,HWHD SPCL
52	5304488469	SCREW NO.10-16 X .625 COMB, PAN
53	5303292722	TUBING,VINYL, 16`` LONG
56	137050600	SCREW 5/16-18-2A,UNC X 1.25
57	137489500	WASHER,FLAT
58	134160900	SCREW,WASHER HD ,10-16AB X 0.75

62	131258400	SCREW,10-16AB X 0.500
67	137193200	CAP,WASH PLATE
68	131707800	RING-DRAIN HOSE
69	5303309503	CLIP,DRAIN HOSE ,BACK SHEET
80	137511100	SCREW,HEX HEAD ,10-24 X 0.500 ,TYPE F
F26	137466100	BEARING & HOUSING ASSEMBLY
F33	137353500	VALVE-2 COIL,120V, WATER
F36	137108100	PUMP,DRAIN
F40	137326000	MOTOR,3 PHASE ,INDUCTION
F40B	137457100	BRACKET,MOTOR, TLW, LC
F45	134592700	HOSE,DRAIN
F49	131494800	HOSE-PUMP TO TUB
F5	137055800	SENSOR,PRESSURE ,LOW FREQ ANALOG
NI	131453000	BUSHING,SNAP-IN
NI	131663500	CUSHION,DRAIN HOSE ,BASE
NI	131901400	? SEAL,SPLASH COVER
NI	134261300	CLIP,DRAIN HOSE ,PUSH-MOUNT
NI	134745300	CLIP,DRAIN HOSE