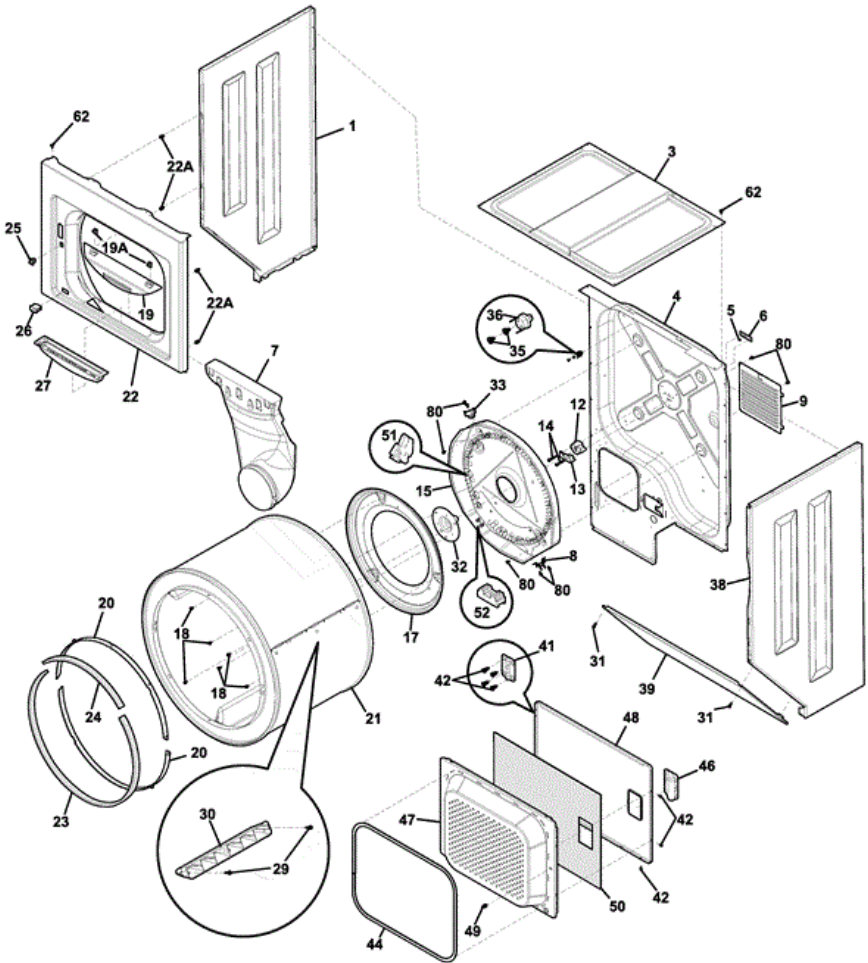


**FFLE2022MW0 TAMBOR**



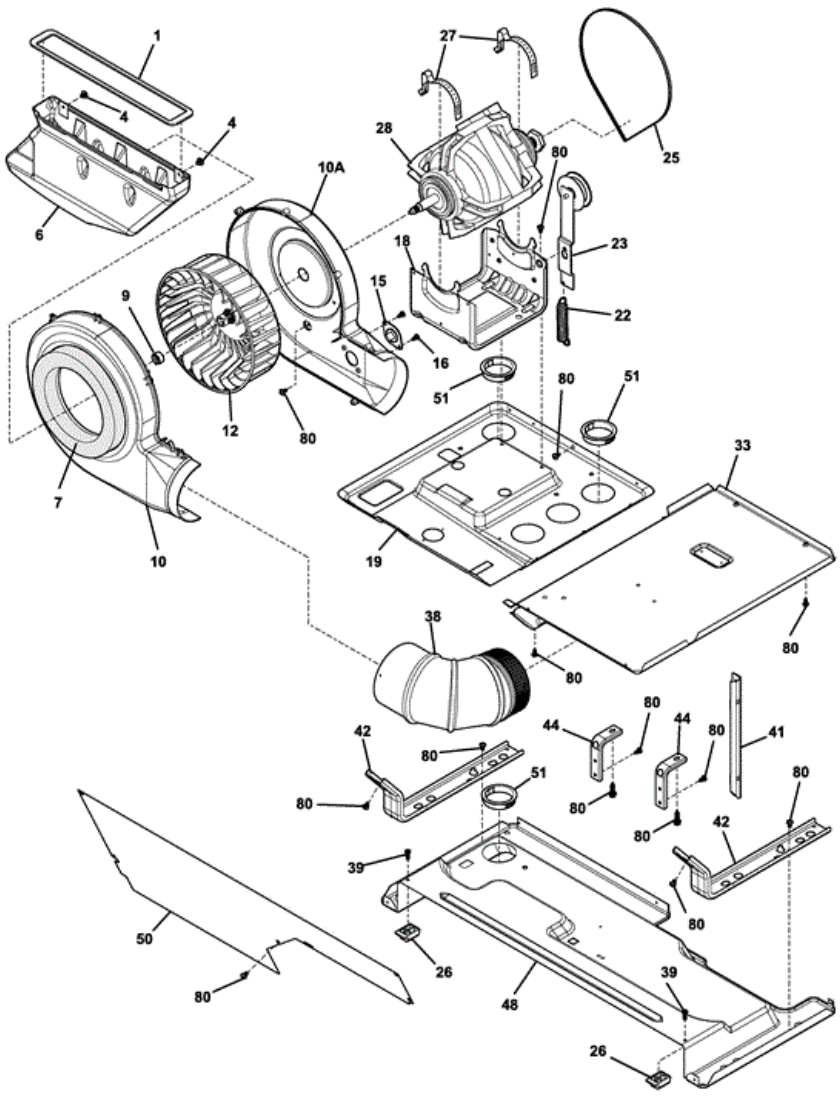


## FFLE2022MW0 TAMBOR

1	137510410	PANEL,LEFT SIDE ,WHITE
15NO.	137392700	HEATER ASMY W/HOUSING,ELECT W/THERM
3	131883301	PANEL, TOP
4	137491301	PANEL,REAR, DRYER ,STAINLESS
5	5303281019	BALL,GROUNDING
6	5303281020	CLIP,BALL ,STEEL ,FLAT NUT
7	134086300	DUCT,AIR
8	137032600	LIMITER,THERMAL ,HEATER
9	5304488480	PANEL,MOTOR ACCESS ,WASHED
12	131825900	BEARING-DRUM SUPPORT
13	131724300	BRACKET,BEARING SUPPORT
14	131205400	SCREW,BRACKET MTG. ,10-16B X 1.375 ,
17	3204254	BAFFLE,HEATER SHIELD
18	131477000	SCREW,10-16AB X 0.375
19	131676501	COVER,MOISTURE SENSOR
19A	5308014350	CLIP,END CAP MTG ,U-TYPE
20	137513300	GLIDE,FLAT, DRYER
21	134122531	DRUM,DRYER SVC KIT ,GALV. STEEL
22	137511811	PANEL, FRONT,WELD ASMY LC DR
22A	137362600	PIN,PANEL LOCATOR
23	134134700	SEAL,FELT ,LOWER
24	134036400	SEAL,FELT ,UPPER
25	131658800	DOOR CATCH,UPPER
27	131359600	LINT TRAP
29	131382300	SCREW,QUADREX HEAD ,10-14 X 1.00 ,
30	5303201200	VANE,STRAIGHT
31	131202300	SCREW,10-16AB X 0.625
32	137088600	SHAFT,DRUM SUPPORT ,BALLHITCH
35	131892100	SCREW,6-20B X 0.230
38	137510510	PANEL,RIGHT SIDE ,WHITE
39	137546910	PANEL,ACCESS
41	134222900	HINGE,DRYER DOOR
42	134156200	SCREW,FLAT HEAD ,8-18AB X 0.44 ,QUAD DRIVE

44	137492200	GASKET,DOOR
46	131789400	HANDLE-DOOR, WHITE
47	137365110	PANEL,INNER DOOR ,WHITE
48	137408403	PANEL,OUTER DOOR ,WHITE
49	5303211430	DOOR STRIKE
50	134535300	INSULATOR,HEAT SHIELD ,OUTER DOOR
51	131472100	INSULATOR,HEATER HOUSING
62	131258400	SCREW,10-16AB X 0.500
7A	131295200	SEAL-AIR DUCT
80	131168200	SCREW,PAN HEAD ,8-18B X 0.31
F26	134813600	SWITCH,DOOR
F33	3204267	THERMOSTAT-SAFETY
F36	134120900	THERMAL LIMITER
F52	3202786	TERMINAL BLOCK,HEATER HOUSING
FNI	137352600	HARNES, DOOR,SW W/SENSOR
NI	131870700	PLUG-LIGHT HOLE

**FFLE2022MW0 MOTOR SECADO**

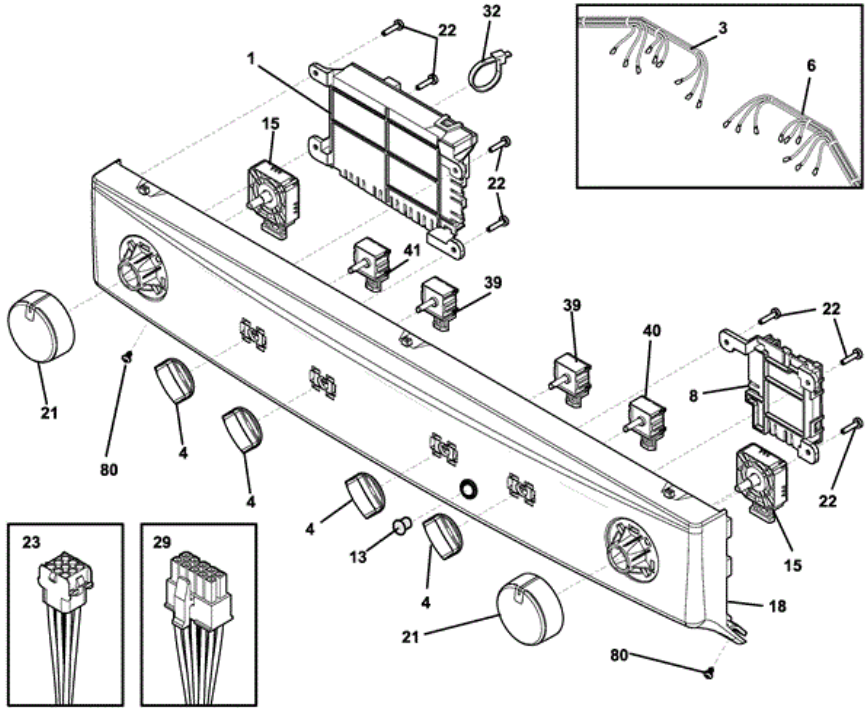




## FFLE2022MW0 MOTOR SECADO

1	131295200	SEAL-AIR DUCT
10A	134608200	HOUSING,BLOWER ,REAR
4	5308014350	CLIP,END CAP MTG ,U-TYPE
6	134086300	DUCT,AIR
7	3204490	SEAL-HOUSING TO AIR DUCT
9	5304488479	CLAMP
10	134611700	HOUSING,BLOWER ,FRONT ,WITH SEAL
12	131476300	BLOWER WHEEL
16	131243700	SCREW, PAN HEAD, 8-18AB X 0.375
18	131367100	CRADLE,MOTOR W/IDLER
19	137490900	PAN, UPPER L/C,DRYER, FORMED
22	3205241	SPRING-IDLER
23	131863100	IDLER ARM ASSY,WITH PULLEY
25	137051400	BELT,POLY V
26	137511300	BLOCK,SUPPORT
27	134242400	CLAMP,MOTOR MTG.
33	131731400	SHIELD,ACCESS AREA ,COVER
38	3204320	ELBOW,EXHAUST DUCT
39	131205100	SCREW,NO.8 PAN HEAD ,10-10B X 0.500 ,
41	131091300	BRACKET,SUPPORT, SIDE
42	137304710	BRACKET,MARRIAGE, DRYER
44	3204326	BRACKET,L MOUNTING ,CABINET REAR ,EXTERNAL
48	137329110	PAN,BOTTOM LC DRYER
50	5304488478	COVER,SUPPORT, LCD
51	131453000	BUSHING,SNAP-IN
80	131168200	SCREW,PAN HEAD ,8-18B X 0.31
F15	134587700	THERMISTOR,CONTROL
F28	134196600	MOTOR,DRYER DRIVE ,WITH PULLEY

**FFLE2022MW0 TABLERO**

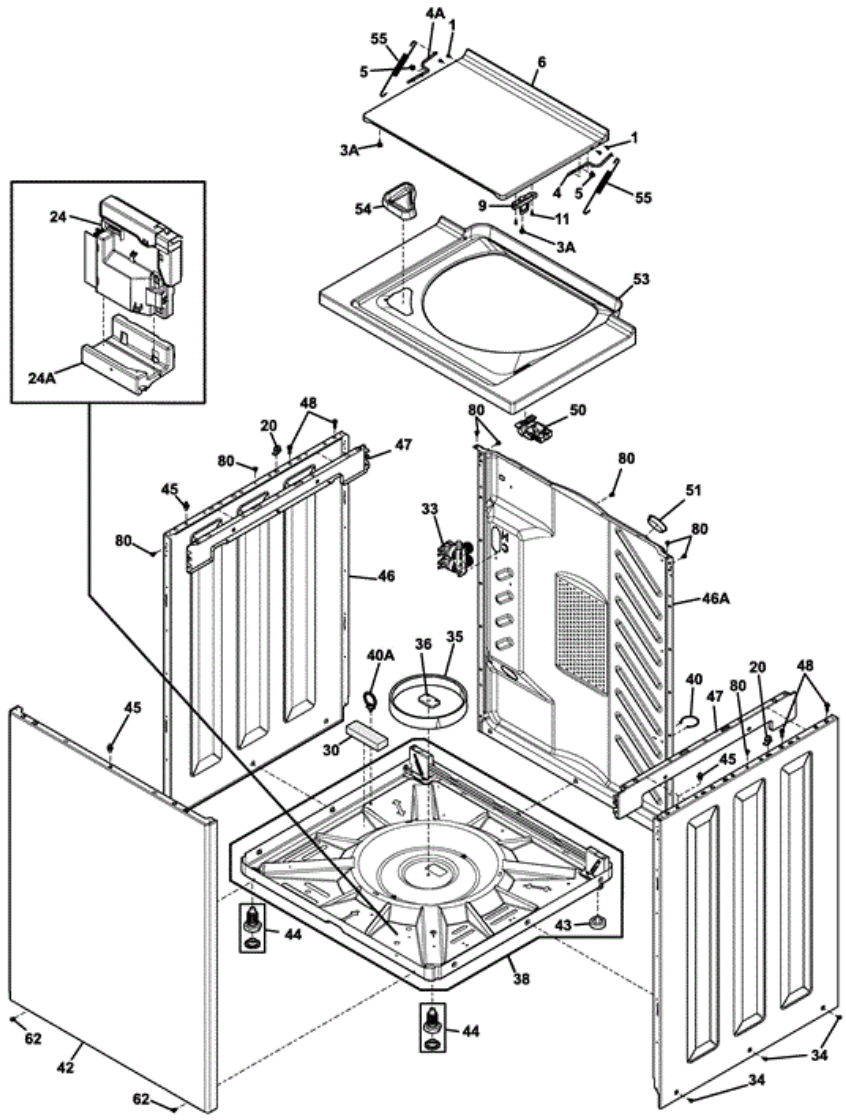




## FFLE2022MW0 TABLERO

3	137329400	WIRING HARNESS, DRYER ,LC UPPER
4	137191300	KNOB, SWITCH
6	137156400	HARNESS, UPPER LC, WASH
18	137518513	CONSOLE, DECORATED, CONTROL PANEL
21	137489800	KNOB, CYCLE SELECTOR
22	131205100	SCREW, NO.8 PAN HEAD ,10-10B X 0.500
32	5303321209	CABLE TIE, 5.60 INCH ,PLASTIC
80	134402900	SCREW, PHILLIPS ,6-19 X 0.650
F1	137275301	CONTROL BOARD, MAIN ,W/HOUSING
F13	134040800	SWITCH, ON/OFF ,WHITE ,ROUND
F15	137493400	SWITCH, PTS CYCLE SELEC ,9 POS
F29	137418900	WIRING HARNESS, LC DRYER ,ELECTRIC
F39	137205200	SWITCH, ROTARY, 2 POS
F40	137052700	SWITCH, ROTARY, 5 POS
F41	137261000	SWITCH, ROTARY, 4 POS
F8	137332703	PC BOARD, COMMUNICATION ,W/HOUSING
NI	137367100	WIRING HARNESS, MAIN

**FFLE2022MW0 GABINETE**







## FFLE2022MW0 GABINETE

1	134203900	SCREW,PAN HD PHILLIPS ,6-32 X 0.337 ,DOG POINT
24A	137469200	BASE,MOTOR CONTROL
4	137469900	HINGE BAR,RH, LC
5	5304488483	GROMMET,HINGE ,ACETAL
6	5303212872	LID,WASHER ,WHITE
9	137513710	STRIKER,LID ,WHITE
11	3204368	SCREW,LID STRIKE MTG ,6-20B X 0.375
20	3204374	PIN,SLIDE ,SIDE TO TOP
30	131663500	CUSHION,DRAIN HOSE ,BASE
34	131205500	SCREW,CAB BODY ,1/4-14 X 0.625 ,SIDE-TO-BASE
35	5308002385	SNUBBER RING
36	3204380	SHIPPING BLOCK
38	137364600	BASE ASSEMBLY,SELF-LEVELING
3A	134075500	BUMPER,LID ,FRONT
40	5303309503	CLIP,DRAIN HOSE ,BACK SHEET
40A	134261300	CLIP,DRAIN HOSE ,PUSH-MOUNT
42	137455410	PANEL,FRONT, LC
43	131422200	PAD,SELF LVLG LEG ,REAR
44	5303309673	LEG,LEVELING W/PAD
45	131346401	PIN,PANEL LOCATOR ,FRONT
46	137272610	PANEL,WASHER SIDE ,WHITE ,LH/RH
46A	137273201	PANEL,WASHER BACK ,WASHED
47	137304500	BRACKET, MARRIAGE,LH/RH WASHER
48	137329800	SCREW 12-24 UNC X .75 HEX,WASHER
4A	137470900	HINGE BAR,LH, LC
50	137353300	LOCK,LID ,EXTERNAL SWITCH
51	131453000	BUSHING,SNAP-IN
53	137190810	PANEL,WASHER TOP LC ,WHITE
54	137205400	DISPENSER, ASMY,SOFTENER
55	134890500	SPRING,LID ASSIST
62	131258400	SCREW,10-16AB X 0.500
80	131168200	SCREW,PAN HEAD ,8-18B X 0.31
F24	137469101	CONTROL BOARD,MOTOR ,MAIN

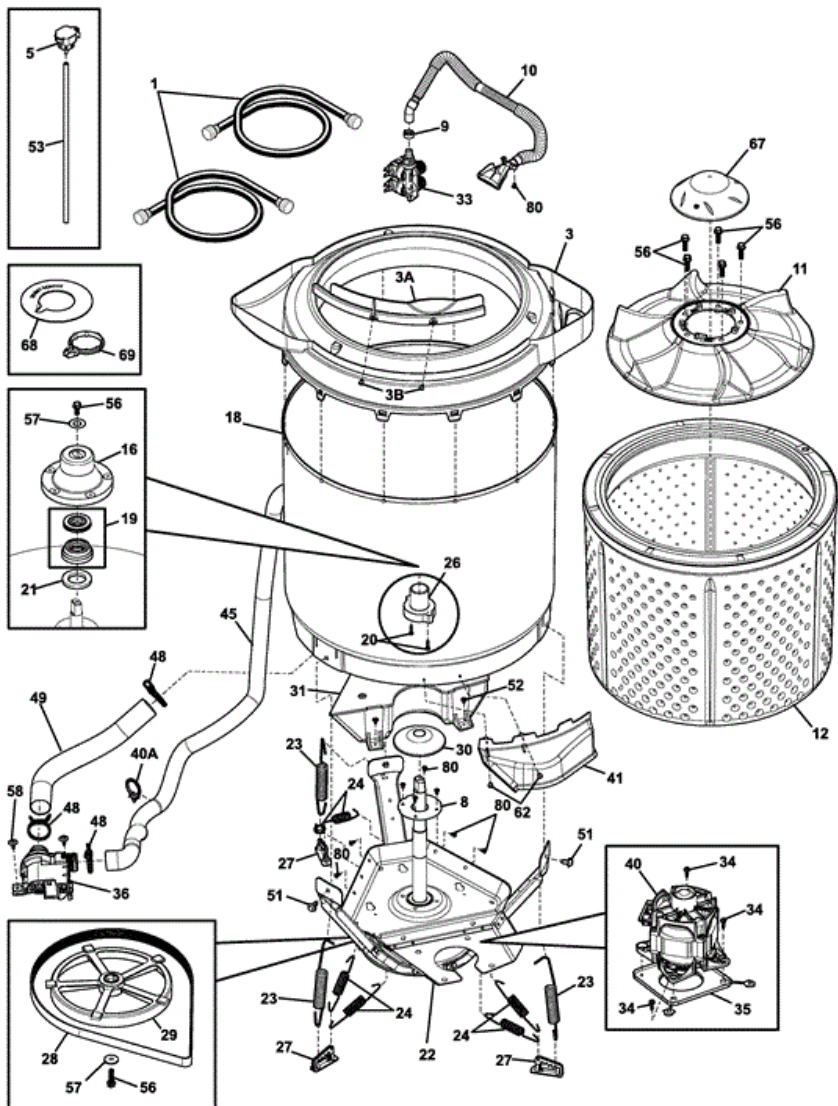
F33	137465100	VALVE-3 COIL,120V 60HZ WATER
NI	134178901	SCREW,8-18AB X 0.455

Distribuidor Autorizado

SurteRápido.com

Venta de Refacciones  
Electrodomesticas

FFLE2022MW0 TINAS





## FFLE2022MW0 TINAS

1	137472301	HOSE ASMY,WATER INLETS,4 FT. ,HOSE & WASHER
3	137304900	COVER,SPLASH TUB ASMY
8	137363400	COVER,BEARING
9	5304488479	CLAMP
10	137308000	HOSE,FILL NOZZLE ASY
11	137494000	WASH PLATE
12	137492801	SPIN TUB ASSY,W/O LINT FILTER
16	137489100	TRUNNION,STANDARD
18	137326200	TUB,SPLASH ,W/AIR DOME/BRNG
19	137547700	TUB SEAL KIT
20	3205150	SCREW,TUB BEARING ,8-12B X 0.750
21	137272000	GROMMET,SEAL
22	137513900	LEG, DOME & BRACKETS,ASSEMBLY
23	134885900	SPRING,VERTICAL
24	137272300	SPRING,HORIZONTAL
27	137491600	RETAINER,INSERT, SPRING
28	137051400	BELT,POLY V
29	137489000	PULLEY,DRIVE ,250 MM
30	137049800	SHIELD,SLINGER
31	137466600	COUNTERWEIGHT
34	137470600	SCREW,QUAD HEX ,12-14 X 0.75
35	137510300	PLATE,MOTOR ISOLATOR
3A	137419200	SHIELD,TUB COVER
3B	131302800	SCREW,QUADREX PH ,10-16AB X 0.5
40A	137324300	WIRING HARNESS,MOTOR
41	137282900	SHIELD,MOTOR
48	131306234	CLAMP,HOSE ,WIRE
51	137466300	SCREW,HEX WASHER HEAD ,5/16 X 0.625 ,SPECIAL
52	131202300	SCREW,10-16AB X 0.625
53	5303292722	TUBING,VINYL, 16`` LONG
56	137050600	SCREW 5/16-18-2A,UNC X 1.25
57	137489500	WASHER,FLAT
58	134160900	SCREW,WASHER HD ,10-16AB X 0.75

62	131258400	SCREW,10-16AB X 0.500
67	137193200	CAP,WASH PLATE
68	131707800	RING-DRAIN HOSE
69	5303309503	CLIP,DRAIN HOSE ,BACK SHEET
80	137511100	SCREW,HEX HEAD ,10-24 X 0.500 ,TYPE F
F26	137466100	BEARING & HOUSING ASSEMBLY
F33	137465100	VALVE-3 COIL,120V 60HZ WATER
F36	137108100	PUMP,DRAIN
F40	137326000	MOTOR,3 PHASE ,INDUCTION
F40B	137457100	BRACKET,MOTOR, TLW, LC
F45	134592700	HOSE,DRAIN
F49	131494800	HOSE-PUMP TO TUB
F5	137055800	SENSOR,PRESSURE ,LOW FREQ ANALOG
NI	131453000	BUSHING,SNAP-IN
NI	131663500	CUSHION,DRAIN HOSE ,BASE
NI	131901400	? SEAL,SPLASH COVER
NI	134261300	CLIP,DRAIN HOSE ,PUSH-MOUNT
NI	134745300	CLIP,DRAIN HOSE