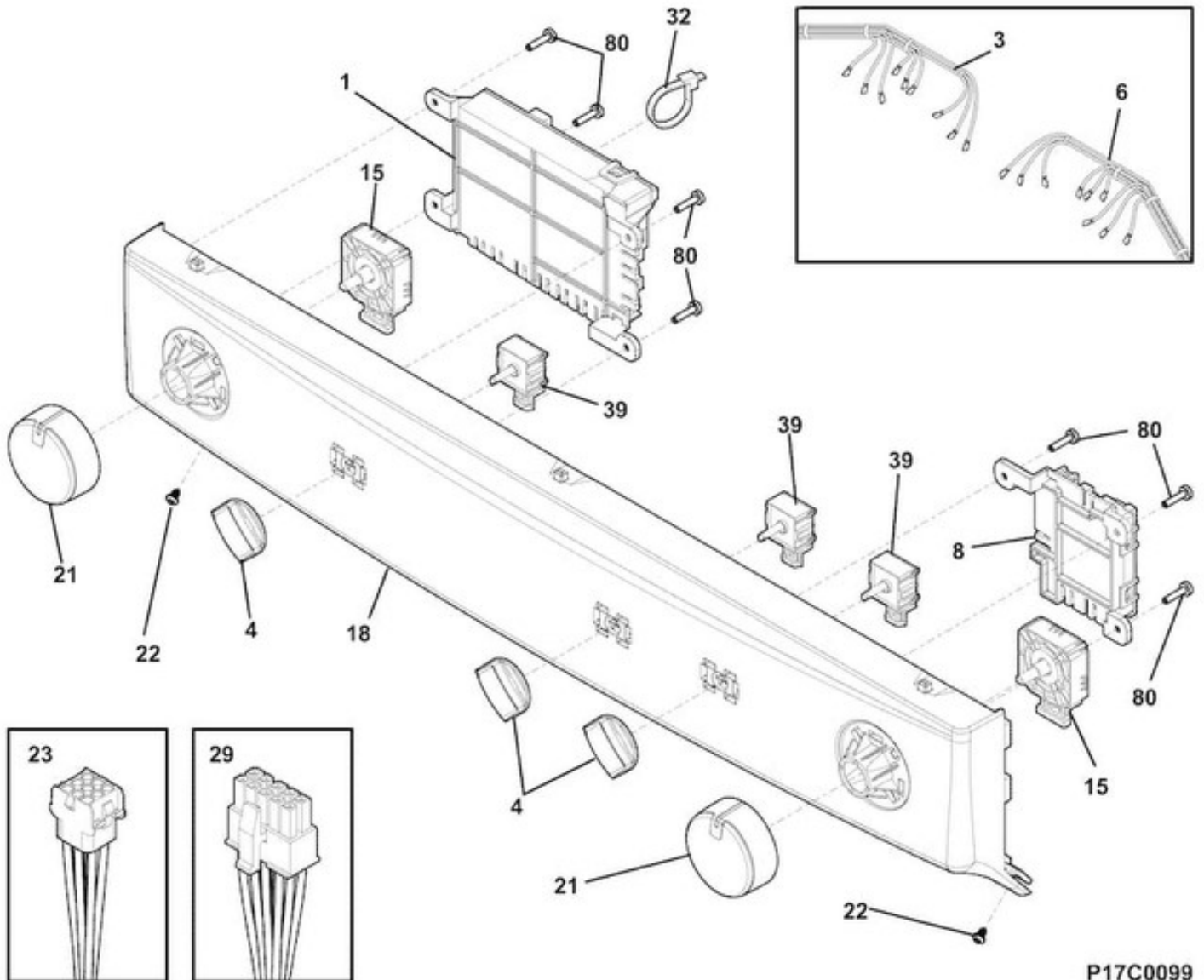


Distribuidor Autorizado

SurteRápido.com

Venta de Refacciones
Electrodomesticas

CENTRO DE LAVADO FFLE3911QW0



P17C0099



CENTRO DE LAVADO FFLE3911QW0

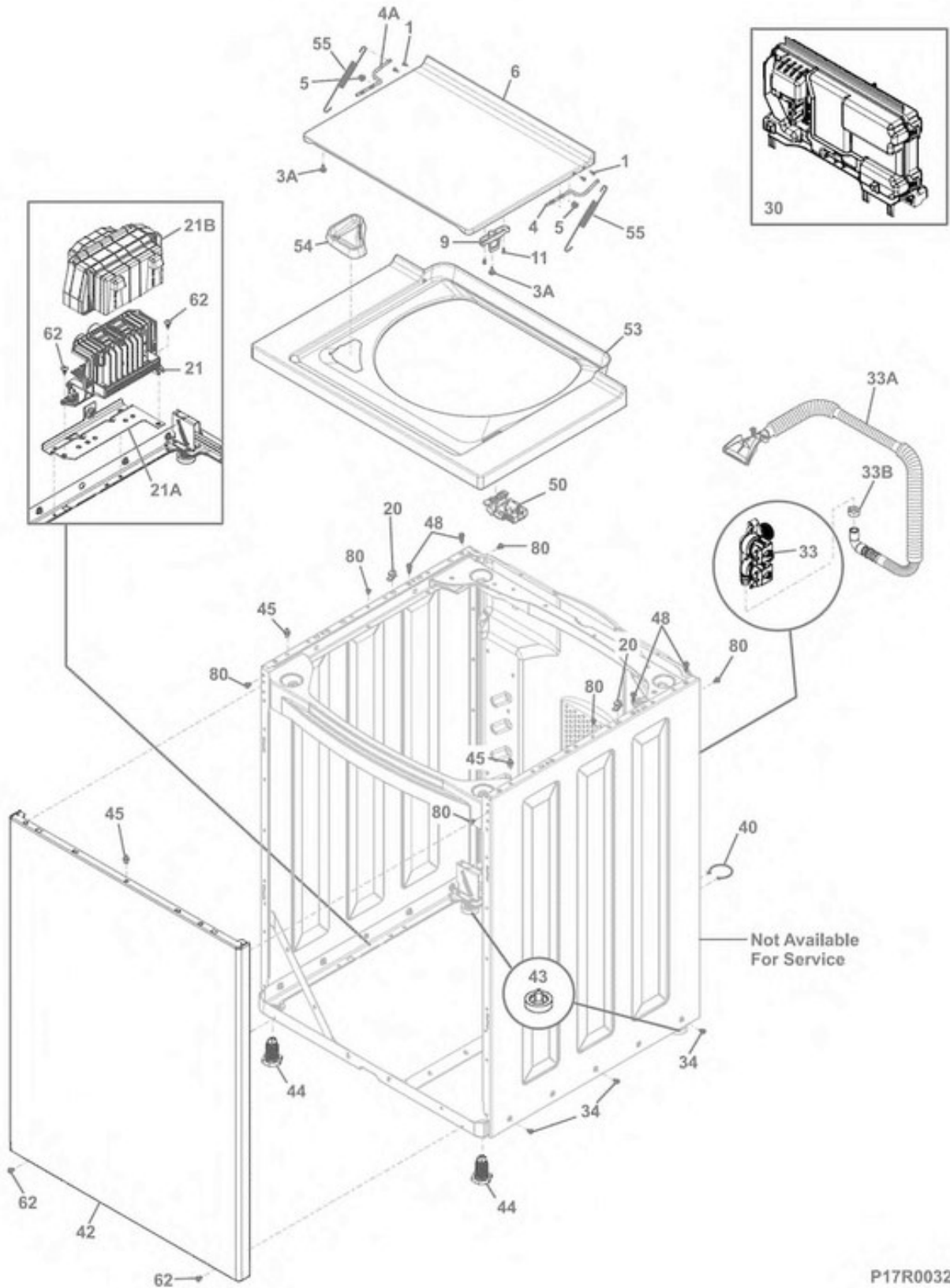
GUIA	NOMBRE	N.P.
1	BOARD	5304500452
3	HARNESS	137329200
4	CONTROL KNOB	5304504886
6	HARNESS	5304500473
8	CONTROL BOARD	5304500456
15	SELECTOR SWITCH 8 P	137493300
18	CONSOLA	5304500509
21	CONTROL KNOB	5304504887
22	SCREW	131205100
23	HARNESS	5304500523
29	HARNESS	5304517938
32	WIRE TIE	5304464772
39	SWITCH	137052500
80	SCREW	134402900

Distribuidor Autorizado

SurteRápido.com

Venta de Refacciones
Electrodomesticas

CENTRO DE LAVADO FFLE3911QW0



Distribuidor Autorizado

SurteRápido.com

Venta de Refacciones
Electrodomesticas

CENTRO DE LAVADO FFLE3911QW0

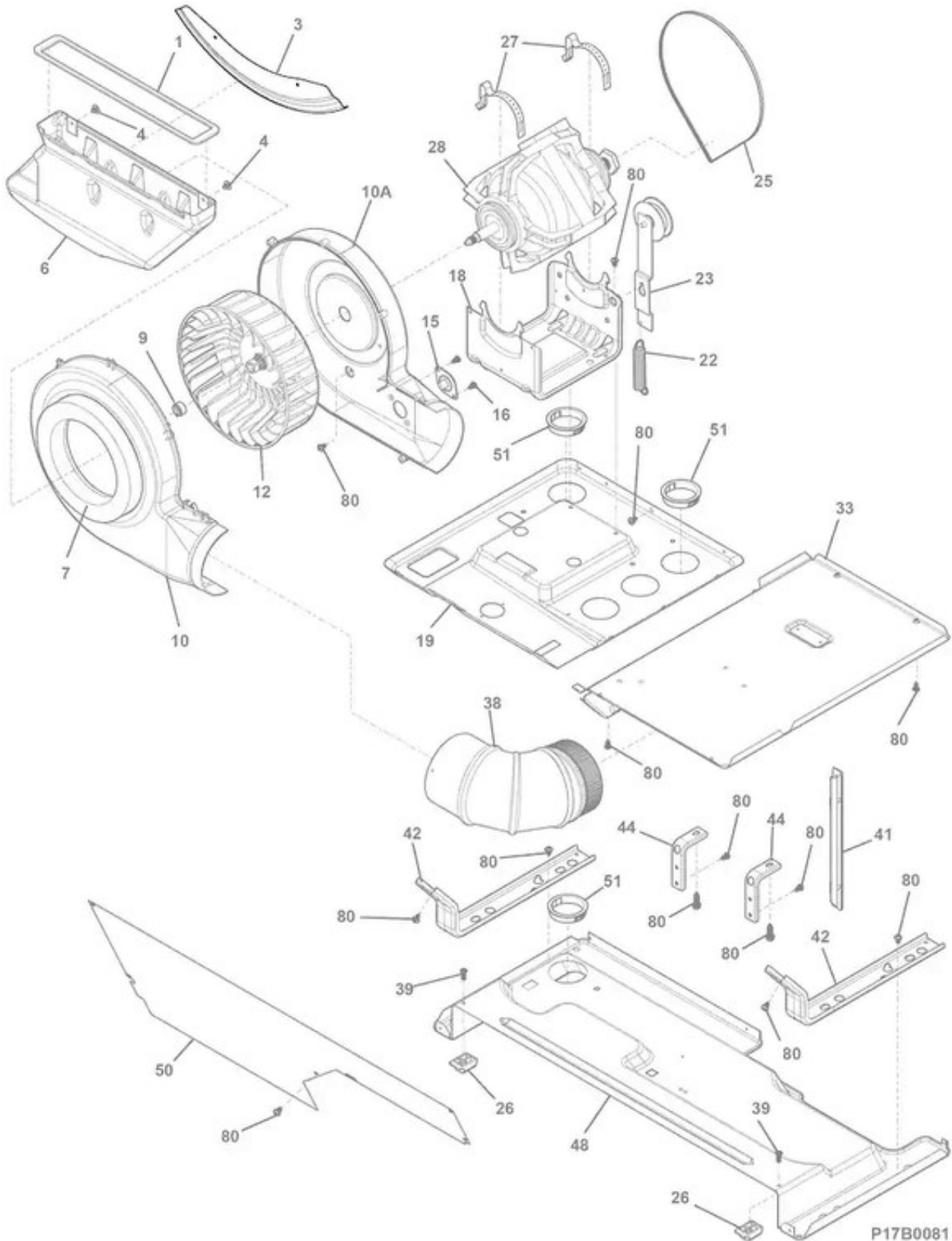
GUIA	NOMBRE	N.P.
1	SCREW	134203900
3A	BUMPER	134075500
4	BISAGRA	137469900
4A	BISAGRA	137470900
5	HINGE BEARING	5304488483
6	LID-WHITE	5303212872
9	STRIKER PLATE	137513712
11	SCREW	3204368
20	PIN	3204374
21	WASHER MOTOR CONTROL BOARD	808653801
21A	BRACKET	809161501
21B	COVER	5304500440
30	MAIN ELECTRONIC CONTROL BOARD	5304511966
33	VALVE-2 COIL	137353500
33A	FILL HOSE	5304508358
33B	CLAMP	5304488479
34	SCREW	131205500
40	CLIP	5303309503
42	PANEL	5304501141
43	PAD	131422200
44	SCREW-IN PLASTIC LEVELING LEG	134548800
45	PIN	131346401
48	SCREW	137329800
50	LID LOCK	137353302
53	PANEL	137190810
54	DISPENSER	5304488476
55	SPRING	134890500
62	SCREW	131302800
80	SCREW	131168200

Distribuidor Autorizado

SurteRápido.com

Venta de Refacciones
Electrodomesticas

CENTRO DE LAVADO FFLE3911QW0



P17B0081

Distribuidor Autorizado

SurteRápido.com

Venta de Refacciones
Electrodomesticas

CENTRO DE LAVADO FFLE3911QW0

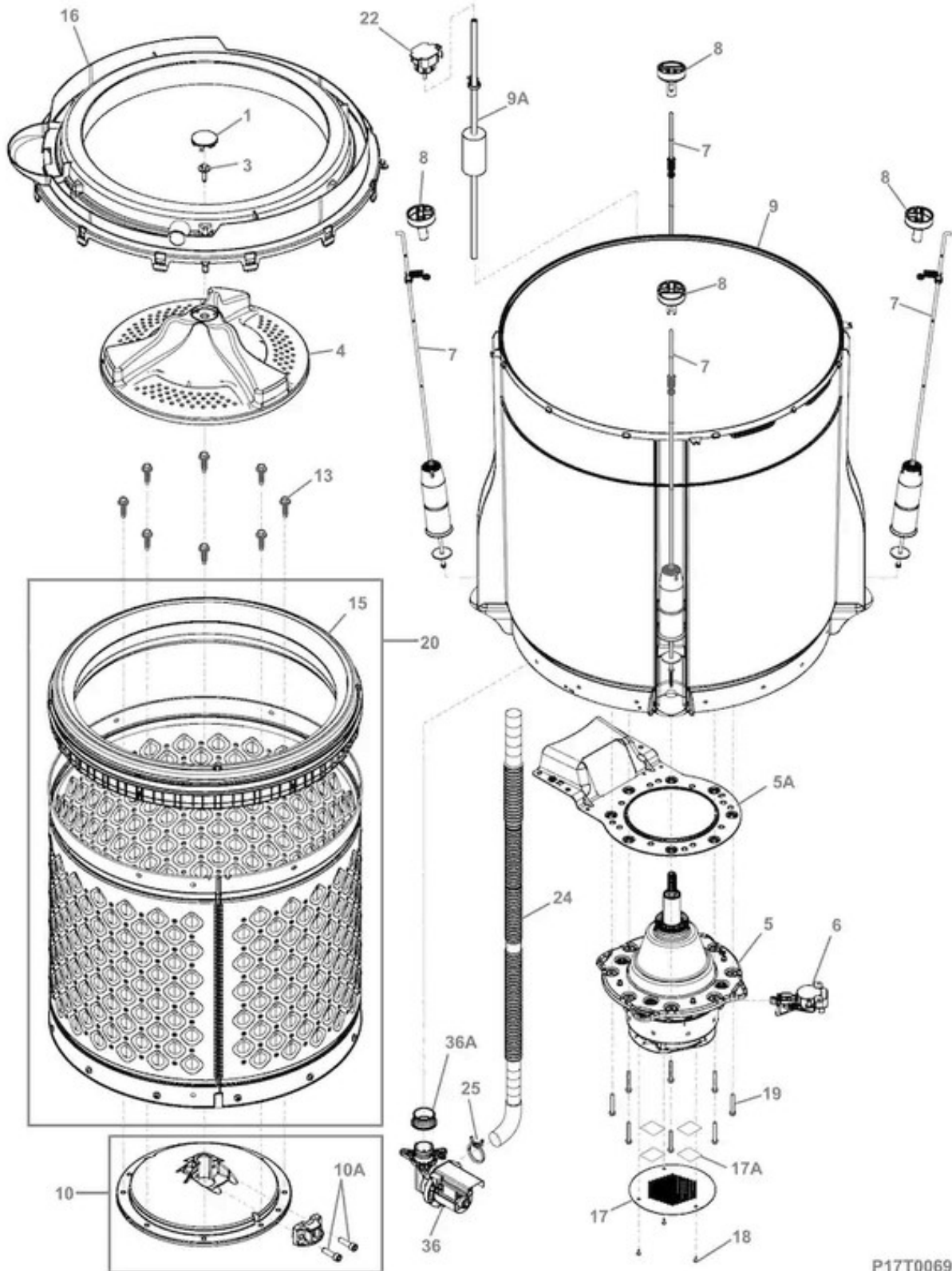
GUIA	NOMBRE	N.P.
1	AIR DUCT	131295200
3	SHIELD	137539100
4	PUSH-IN FASTENER	131362400
6	DUCT-AIR	5304521121
7	BLOWER HOUSING FOAM SEAL	3204490
9	CLAMP	5304488479
10	HOUSING	137551600
10A	BLOWER HOUSING-REAR	137551800
12	BLOWER WHEEL	131476300
15	CONTROL THERMISTOR	134587700
16	SCREW	215822000
18	MOTOR CRADLE ASMY	131367110
19	PAN	137490900
22	SPRING	3205241
23	IDLER ARM ASSEMBLY	5304507499
25	BELT	137292700
26	BLOCK	137511300
27	MOTOR CLAMP	134242400
28	MOTOR	134196602
33	SHIELD	131731400
38	ELBOW	5304500508
39	SCREW	131205100
41	BRACKET	131091300
42	LOWER PAN ASMY	137455500
44	BRACKET	3204326
48	LOWER PAN ASMY	137455500
50	COVER	5304488478
51	BUSHING	131453000
80	SCREW	131168200

Distribuidor Autorizado

SurteRápido.com

Venta de Refacciones
Electrodomesticas

CENTRO DE LAVADO FFLE3911QW0



P17T0069

Distribuidor Autorizado

SurteRápido.com

Venta de Refacciones
Electrodomesticas

CENTRO DE LAVADO FFLE3911QW0

GUIA	NOMBRE	N.P.
1	CAP	808676601
3	SCREW	5304500572
4	AGITATOR ASSEMBLY	808726001
5	TRANS/MOTOR/GEAR	5304501142
5A	PLATE	5304500463
6	ACTUATOR	5304492254
7	SUSPENSION ROD (1)	5304500464
8	SUSPENSION	5304500580
9	SERVICE TUB KIT	5304520189
9A	HOSE	5304500517
10	HUB	5304500426
10A	SCREW	5304500432
13	SCREW	5304504896
15	RING	809088904
16	COVER	809090501
17	BARRIER	5304500519
17A	CUSHION	5304500543
18	SCREW	5304492298
19	SCREW	5304501446
20	TUB	5304500427
22	SENSOR	5304504885
24	DRAIN HOSE KIT	5304518458
25	CLAMP	131306229
36	PUMP ASSEMBLY	5304524452
36A	SEAL	5304500585