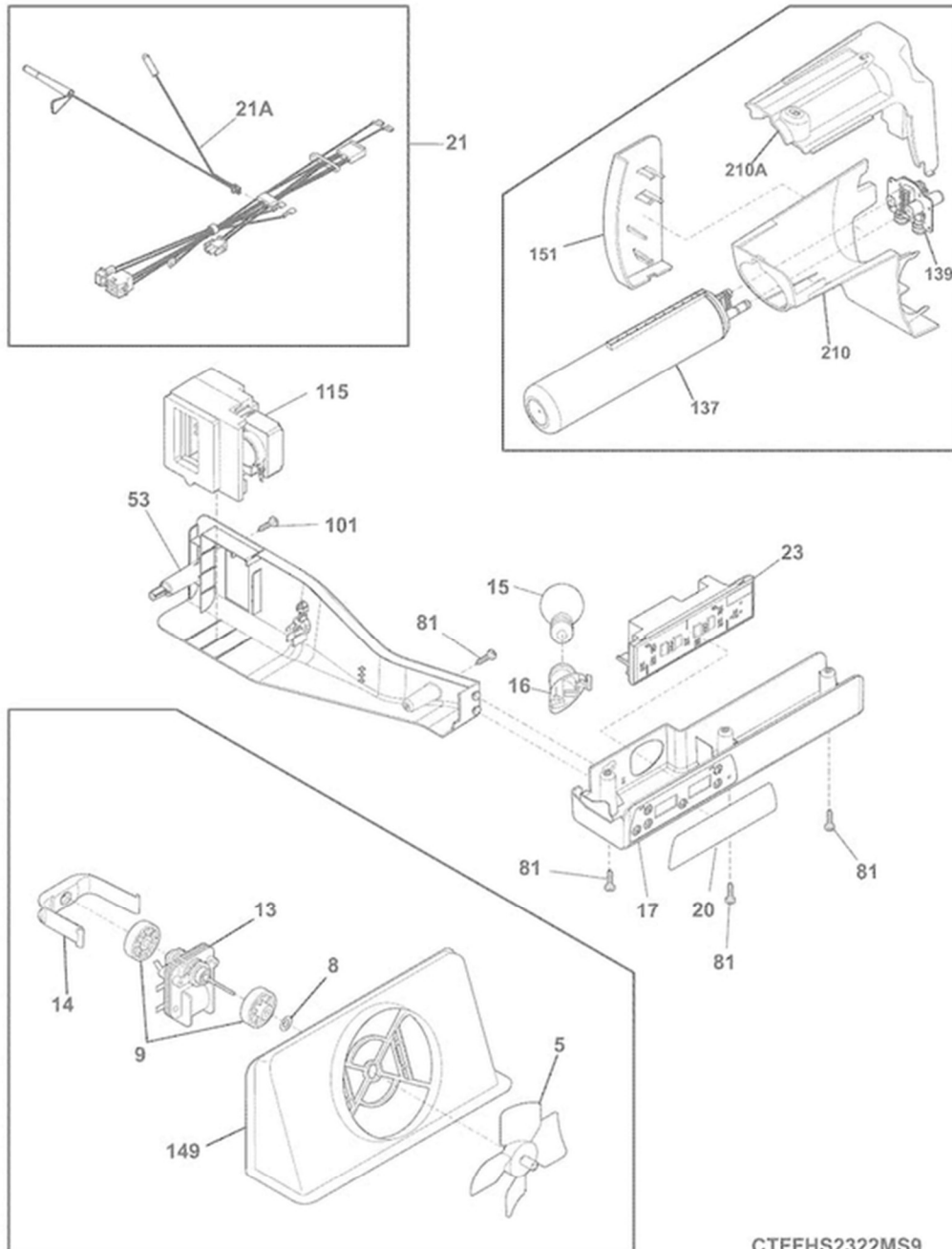
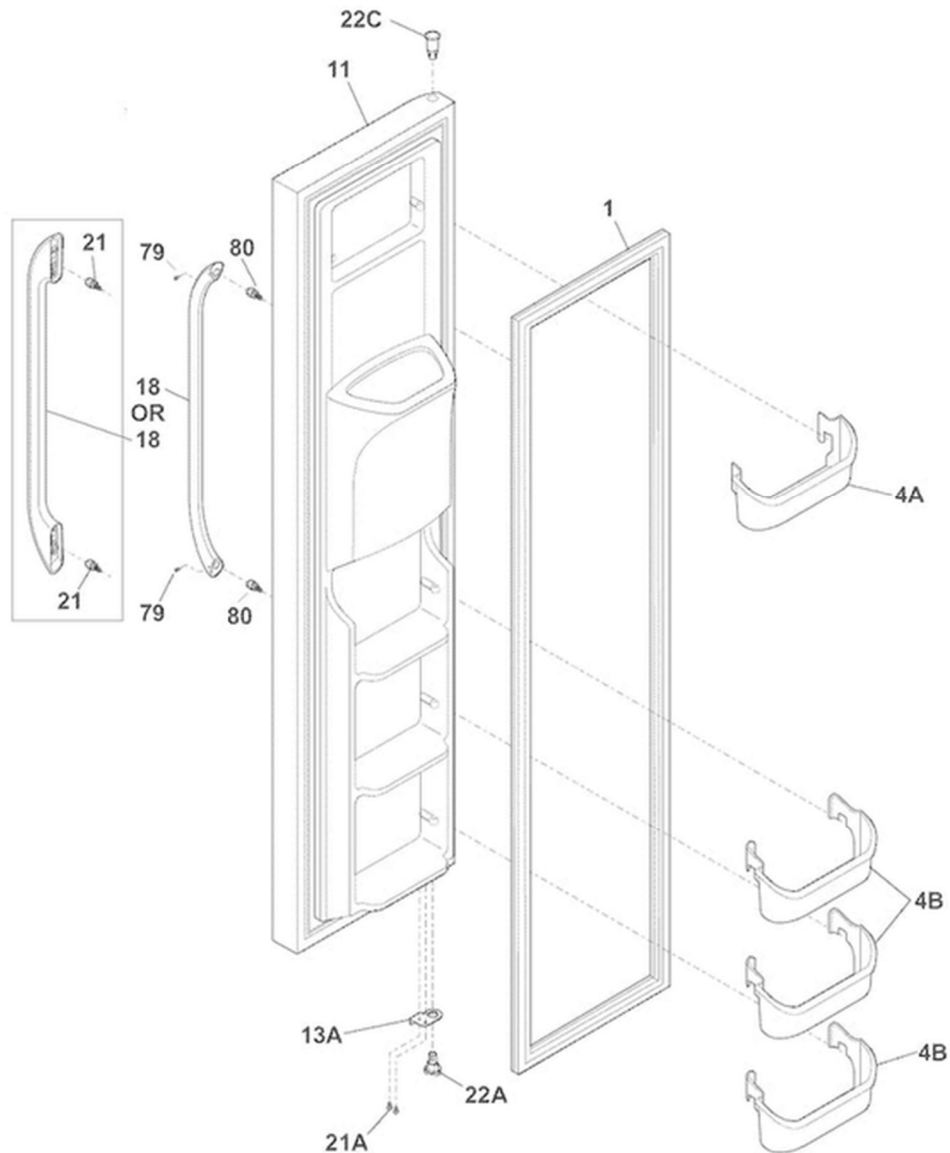


| Guía | Descripción | # de parte |
|-------------|--------------------------------|-------------------|
| 10 | COVER | 240435911 |
| 10A | COVER-EVAP | 241719710 |
| 11 | Plug Button - White | 5303208309 |
| 14 | Light Switch | 240505801 |
| 14A | Light Switch | 241547901 |
| 21C | SCREW | 218252201 |
| 22 | Door Closing Cam | 241856502 |
| 28 | ROLLER Assembly | 5304499445 |
| 30 | Lower Hinge Bracket | 242034601 |
| 30A | BRACKET-LOWER HINGE | 242034604 |
| 37 | TRIM-CABINET CORNER | 242161202 |
| 38 | Upper Hinge Bracket | 240327207 |
| 40 | Upper Hinge Cover | 240327007 |
| 41 | Shelf Mounting Grommet | 241550801 |
| 42 | Hinge Mounting Hexagonal Screw | 240578902 |
| 43 | ROLLER Assembly | 5304499445 |
| 45 | SCREW | 241500303 |
| 47 | CHANNEL-SHELF Mounting | 218659500 |
| 58 | Pan Head Screw | 218781101 |
| 66B | PIN-PUSH | 240518802 |
| 66B | DIFFUSER-AIR | 240374301 |
| 72 | Kickplate Grille | 241521603 |
| 81 | Hex Head Screw | 5304455650 |
| 82 | Rear Roller - Black | 5304418225 |
| 83 | RIVET | 5304455655 |
| 89 | COVER-ACCESS | 241733901 |
| 91 | DUCT-ICE MAKER | 240380101 |
| 92 | Hexagonal Screw | 241710601 |
| 100 | Crisper Cover Support - Front | 241993101 |
| 100 | Crisper Support - Rear | 241993001 |



CTFFHS2322MS9

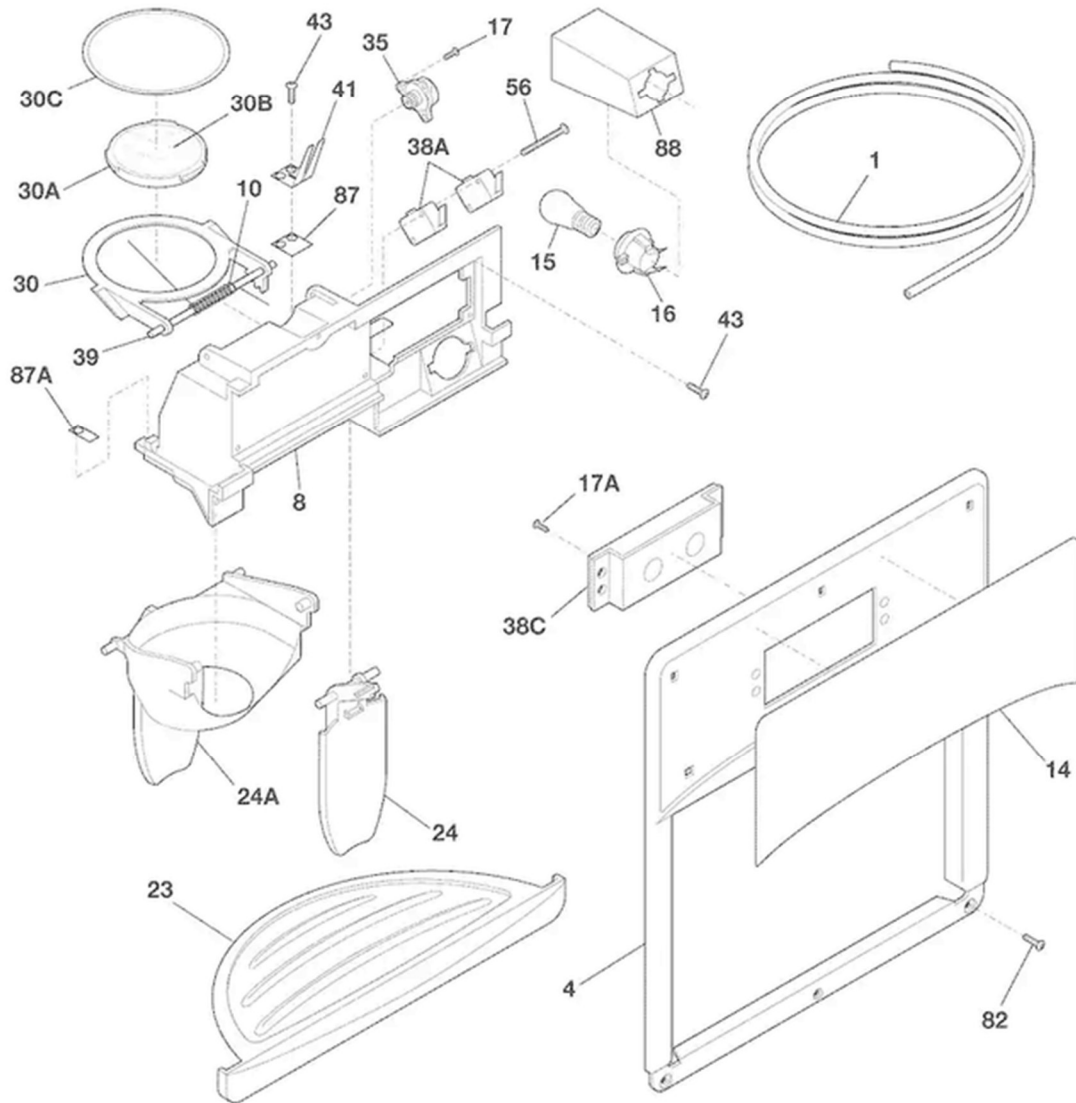
| Guía | Descripción | # de parte |
|-------------|-----------------------------------|-------------------|
| 5 | Evaporator Fan Blade | 5308000010 |
| 8 | Evaporator Fan Shaft Washer | 215474201 |
| 9 | Bushing Motor Mounting | 241563601 |
| 13 | Refrigerator Evaporator Fan Motor | 808602602 |
| 14 | Evaporator Fan Motor Bracket | 242135301 |
| 15 | Light Bulb | 316538904 |
| 16 | Light Socket | 218906802 |
| 17 | BOX-CONTROL | 241633512 |
| 20 | LABEL-CONTROL BOX | 241604010 |
| 21 | WIRING HARNESS | 5304521777 |
| 21A | THERMISTOR ASSEMBLY | 242278801 |
| 23 | Electronic Control Board | A01078804 |
| 53 | BOX-CONTROL | 241608902 |
| 81 | Hex Head Screw | 5304455650 |
| 101 | SCREW | 241637202 |
| 115 | Damper Control Assembly | 242303001 |
| 137 | Refrigerator Water Filter | WF3CB |
| 139 | Water Filter Base | 242009602 |
| 149 | SHROUD ASMY | 242204505 |
| 149 | SEAL | 241528303 |
| 151 | Water Filter Cap | 242069701 |
| 210 | Water Filter Housing | 241983814 |
| 210 | MOUNT-WATER FILTER | 241998303 |



N58FTDEBC0

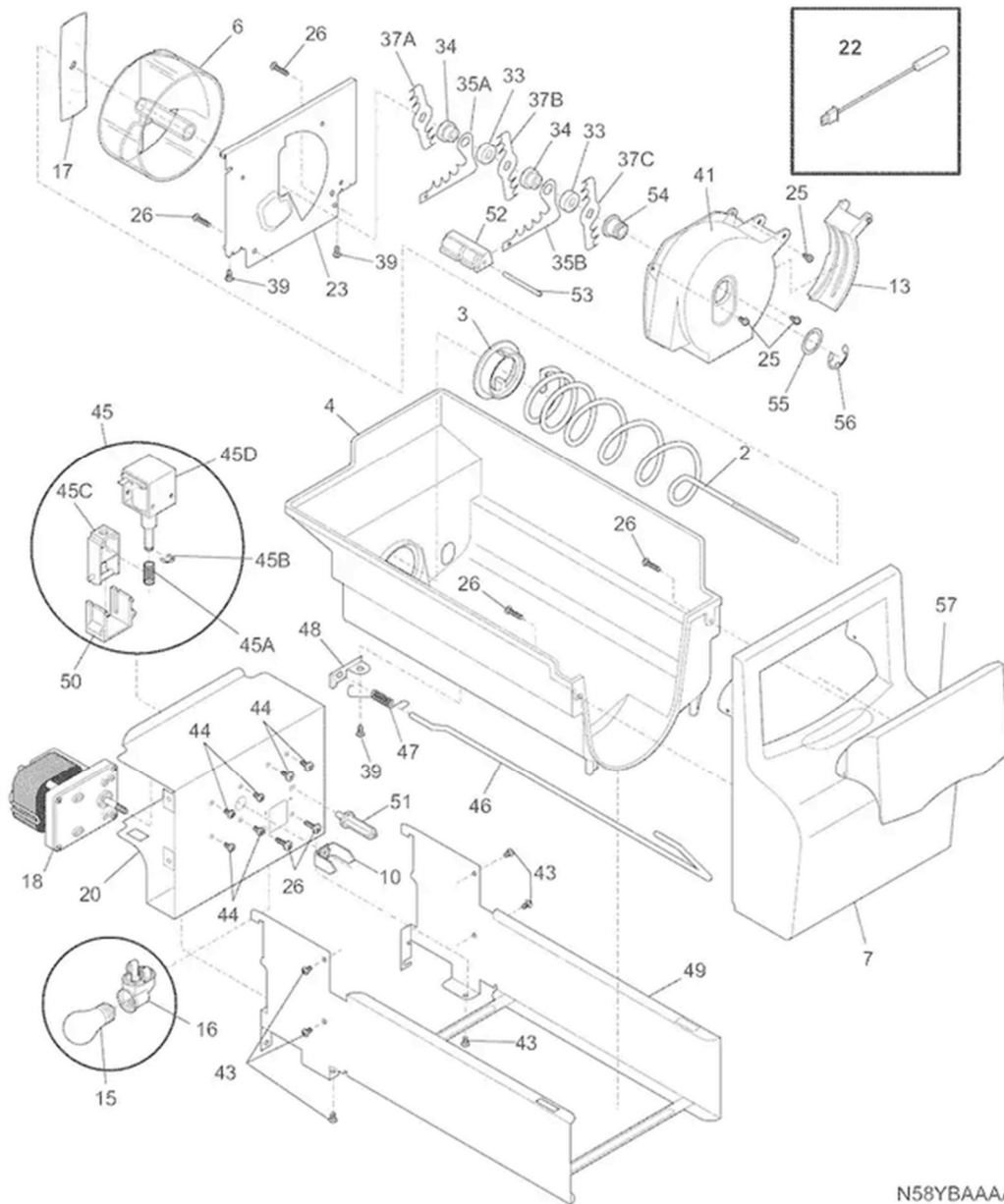
09/14

| Guía | Descripción | # de parte |
|-------------|--------------------------------|-------------------|
| 1 | Freezer Gasket - Black | 241786008 |
| 4A | Upper Freezer Door Bin - White | 240367301 |
| 4B | Door Bin | 240359001 |
| 11 | DOOR-Freezer | 242026433 |
| 13A | Door Stop - Black | 240581906 |
| 18 | HANDLE-DOOR | 242059301 |
| 21A | Screw with White Top -#10-32 | 240442708 |
| 22A | Hinge Bearing | 242000502 |
| 22C | Upper Hinge Bearing | 240328404 |
| 79 | Set Screw - 10-32 x 0.375 | 218755401 |
| 80 | Screw | 218755504 |



N58XDAAA1

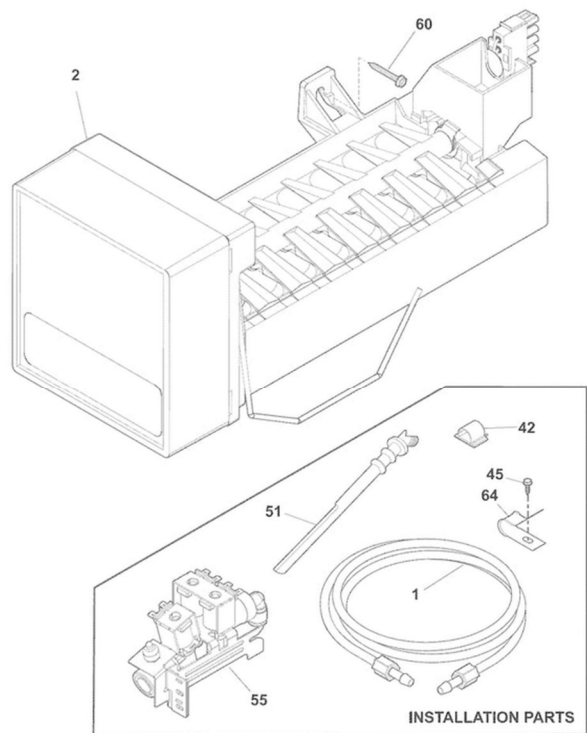
| Guía | Descripción | # de parte |
|-------------|--|-------------------|
| 1 | Refrigerator Dispenser Water Tube | 218976438 |
| 4 | Dispenser Cover - Black | 241679003 |
| 8 | Dispenser Module | 241680507 |
| 10 | DOOR SPRING | 241688901 |
| 14 | LABEL-MODULE COVER | 240570237 |
| 15 | Light Bulb - 6 Watts/120 Volts | 5304506475 |
| 16 | SOCKET | 240548901 |
| 17 | Mounting Screw | 241679801 |
| 17A | SCREW | 241679901 |
| 23 | Dispenser Grille | 241649003 |
| 24 | Water Dispenser Actuator | 241682003 |
| 24A | Ice Actuator | 241681903 |
| 30 | Ice Chute Door | 241688401 |
| 30A | Dispenser Door Flap - Black | 241688501 |
| 30B | Door Insulation | 241688601 |
| 30C | Ice Dispenser Door Seal | 241688701 |
| 35 | DAMPER-ROTARY | 241689301 |
| 38A | HARNESS-WIRING | 241679201 |
| 38A | Micro Switch | 241689106 |
| 38C | HARNESS-FACADE W/LI | 5304521693 |
| 38C | SWITCH-4 BUTTON ASS | 5304525097 |
| 39 | Ice Chute Door Hinge Pin | 241688801 |
| 41 | SPRING-ACTUATOR | 241689001 |
| 43 | SCREW | 5304455699 |
| 56 | SCREW-MICRO SWITCH | 241689201 |
| 82 | Screw -#8-18 X 1/2 | 240363402 |
| 87 | Dispenser Ice Chute Door Bearing Plate - Right | 241688302 |
| 87A | Bearing Plate | 241688301 |
| 88 | Light Lens | 241686101 |



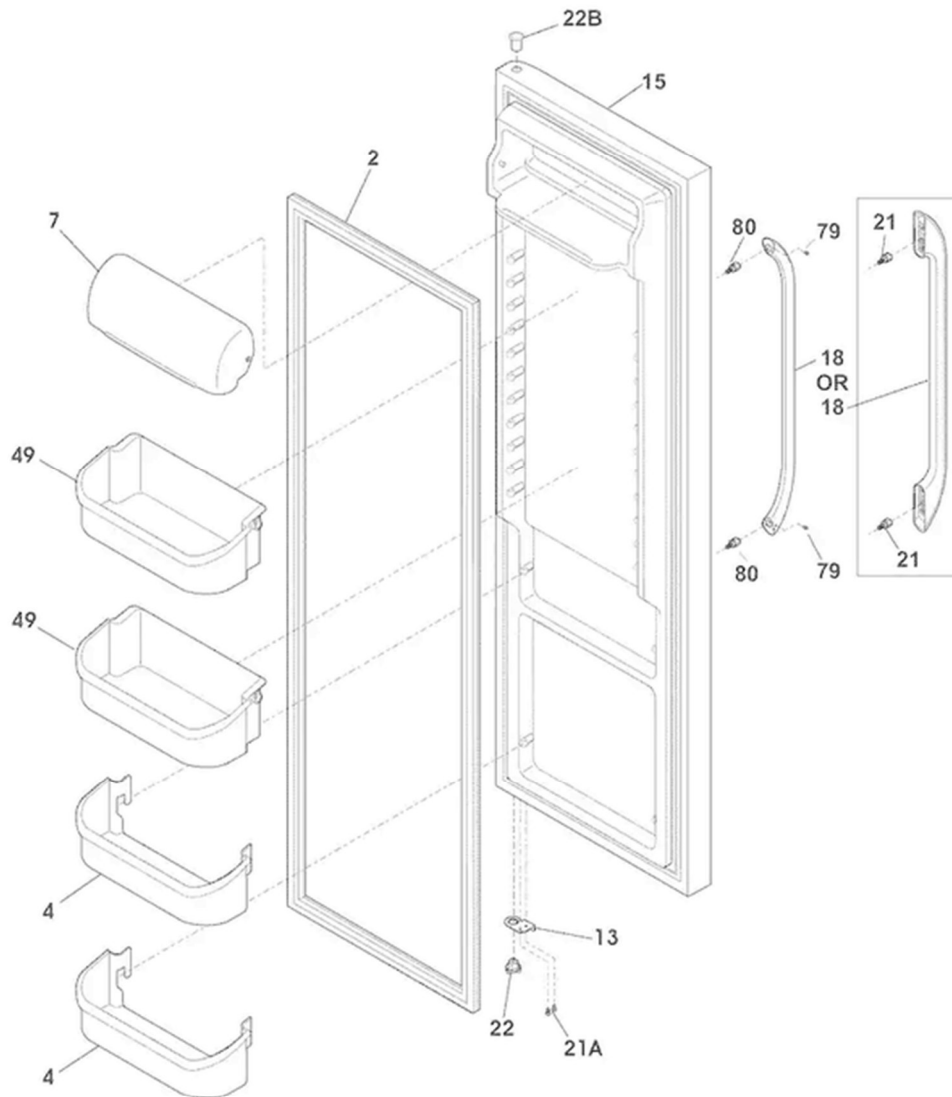
N58YBAAAA7

| Guía | Descripción | # de parte |
|------|-------------------------------------|------------|
| 2 | Ice Auger | 241716101 |
| 3 | Cam Drive | 241685201 |
| 4 | Ice Container/Bucket | 241734001 |
| 6 | Ice Dispenser Drum | 241685101 |
| 7 | FRONT-ICE CONTAINER | 241734201 |
| 10 | Drive Bar | 241726501 |
| 13 | Dispenser Crusher Housing | 241885001 |
| 15 | Light Bulb | 316538904 |
| 16 | Light Socket | 241559801 |
| 17 | DRIVE BLADE | 241684503 |
| 18 | Auger Motor | 242221501 |
| 20 | COVER | 241734802 |
| 22 | Temperature Sensor | 240597203 |
| 23 | Front Plate | 241684001 |
| 25 | SCREW-#8-32 X 3/8 | 240555002 |
| 26 | SCREW | 215503205 |
| 33 | SPACER | 241684802 |
| 34 | SPACER | 241689802 |
| 35A | Refrigerator Ice Crusher Fixed Blad | 241684303 |
| 37A | BLADE | 241684107 |
| 37B | BLADE | 241684108 |
| 37C | BLADE,CRUSHER #3 | 241684109 |
| 39 | SCREW | 241690501 |
| 41 | Dispenser Crusher Housing | 241885001 |
| 43 | SCREW | 218359202 |
| 44 | SCREW | 218359202 |
| 45 | Refrigerator Ice Dispenser Solenoid | 241675704 |
| 45A | SPRING-SOLENOID | 241675902 |
| 45B | Solenoid E-Ring | 241676001 |
| 45C | Actuator Solenoid - White | 241676101 |
| 45D | Ice Solenoid | 241675803 |
| 46 | Ice Dispenser Actuator Rod | 241716002 |
| 47 | SPRING-CONTROL ROD | 241731801 |
| 48 | BRACKET-CONTROL ROD | 241684602 |
| 49 | RAIL Assembly | 241734401 |
| 50 | GUIDE-SOLENOID | 241675601 |

| Guía | Descripción | # de parte |
|-------------|---------------------|-------------------|
| 51 | ROTATION STOP | 241676301 |
| 52 | SPACER-FIXED BLADES | 241684901 |
| 53 | PIN-SPIRAL | 241690402 |
| 54 | Auger Nut | 241685001 |
| 55 | Washer | 241690306 |
| 56 | E-Ring | 241690201 |
| 57 | Access Door | 241734101 |

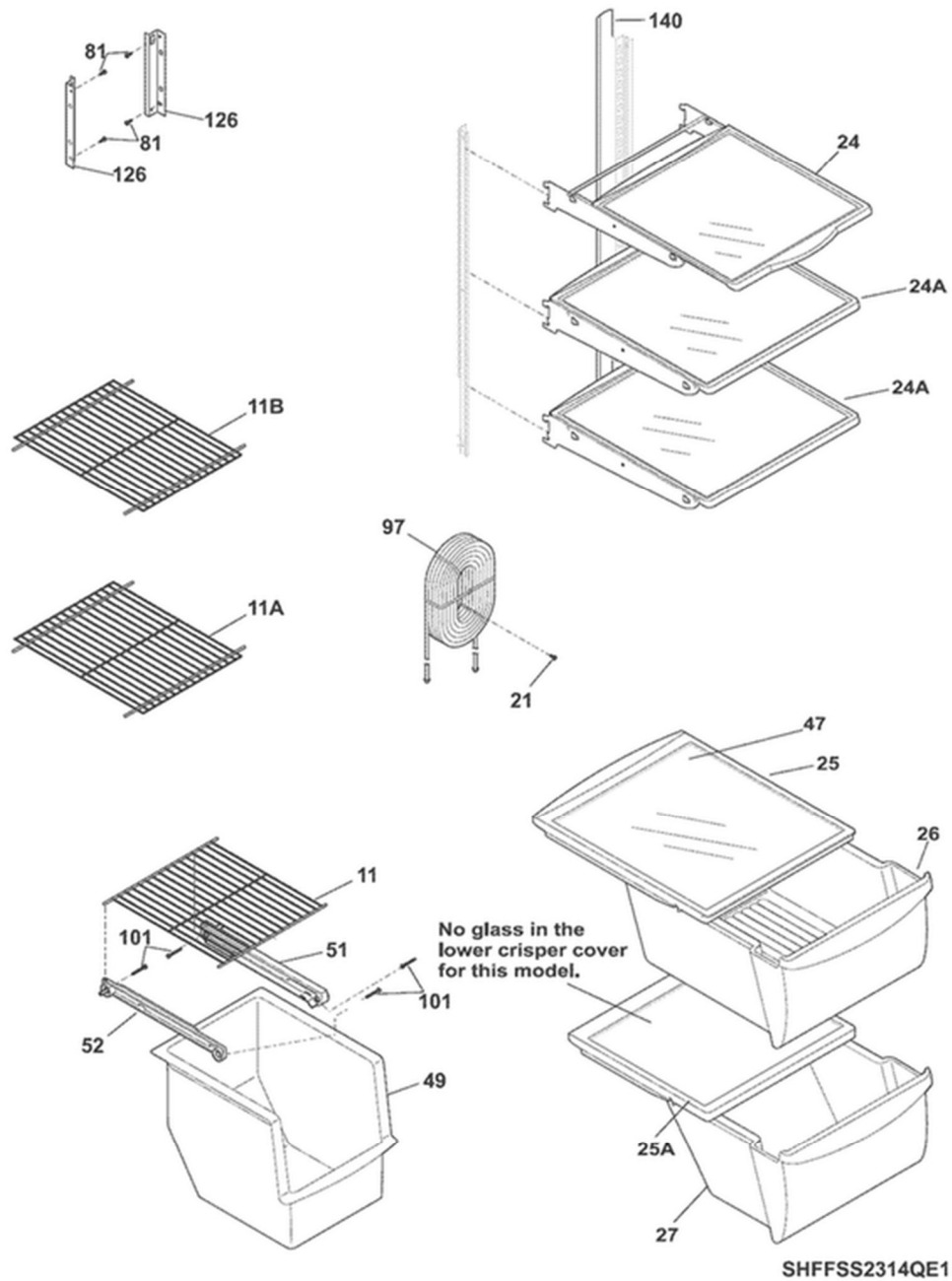


| Guía | Descripción | # de parte |
|------|---------------------------------|------------|
| 1 | Water Tube | 218976409 |
| 2 | Refrigerator Ice Maker Assembly | 241798231 |
| 42 | CLIP-GRILLE | 218515403 |
| 45 | Hex Head Screw | 5304455650 |
| 51 | Water Tube | 241796405 |
| 55 | Refrigerator Water Inlet Valve | 242252702 |
| 60 | SCREW | 5304455852 |
| 64 | CLAMP | 5304455846 |



N58RTDACB0

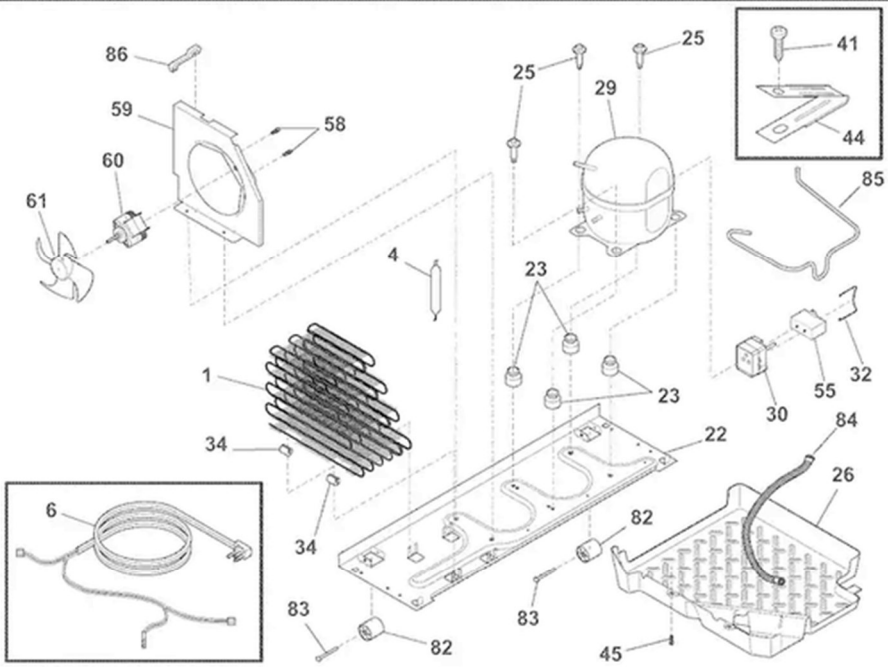
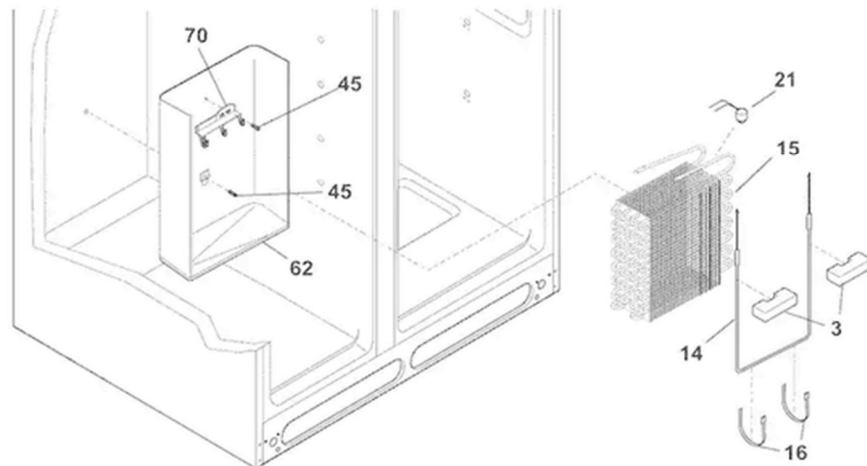
| Guía | Descripción | # de parte |
|------|------------------------------|------------|
| 2 | Door Gasket - Black | 241786007 |
| 4 | Door Shelf Bin | 240363701 |
| 7 | Dairy Door | 240338313 |
| 13 | Door Stop | 240581905 |
| 15 | DOOR-REFR | 242038826 |
| 18 | HANDLE-DOOR | 242059301 |
| 21A | Screw | 240598401 |
| 21A | Screw with White Top -#10-32 | 240442708 |
| 22 | BEARING-HINGE(REF) | 242015302 |
| 22B | Upper Hinge Bearing | 240328404 |
| 49 | Door Shelf Bin | 240324501 |
| 79 | Set Screw - 10-32 x 0.375 | 218755401 |
| 80 | Screw | 218755504 |



| Guía | Descripción | # de parte |
|-------------|----------------------------------|-------------------|
| 11 | Refrigerator Wire Shelf | 241657601 |
| 11A | Shelf, fixed , freezer | 241657501 |
| 11B | Shelf, fixed , freezer | 241657503 |
| 21 | SCREW | 218843801 |
| 24 | Spill Safe Glass Shelf | 240355277 |
| 24A | Spill Safe Glass Shelf | 240355277 |
| 25 | Upper Crisper Pan Cover | 240354502 |
| 25A | Lower Crisper Cover - Frame Only | 240354602 |
| 26 | Crisper Drawer - Clear | 240354706 |
| 27 | Lower Crisper Pan | 240354805 |
| 47 | Pan Cover Insert | 240350613 |
| 49 | Lower Sliding Drawer - White | 240564301 |
| 51 | Basket Hanger - Right Side | 240343002 |
| 52 | Basket Hanger - Left Side | 240343102 |
| 81 | Hex Head Screw | 5304455650 |
| 97 | TANK-WATER | 242220506 |
| 101 | Screw - Hex Washer Head | 218493101 |
| 126 | Channel, auger Mounting ,LH | 241674401 |
| 126 | Channel, auger Mounting ,RH | 241674402 |
| 140 | CHANNEL | 240430501 |



REFRIGERADOR FFSS2314QS2A



SYFFHS2311LB3

BENITO JUÁREZ #1500 GPE ZITON, CD. GUADALUPE NUEVO LEÓN TEL: 8183377999 Y 49
 HORARIOS: LUNES A VIERNES 8:30 A 6:00 PM Y SÁBADOS DE 8:30 A 2:00 PM

www.denek.com

| Guía | Descripción | # de parte |
|-------------|-----------------------------|-------------------|
| 1 | CONDENSER | 242106606 |
| 3 | BLOCK-EVAP COIL | 218679613 |
| 4 | Filter - Drier | 5303305677 |
| 6 | HARNESS-WIRING | 5304521699 |
| 14 | Defrost Heater | 242044113 |
| 15 | EVAPORATOR KIT | 5303918286 |
| 16 | Aluminum Heater Strap | 5308000110 |
| 21 | Defrost Thermostat Kit | 5303918214 |
| 22 | BASE | 240330010 |
| 23 | Compressor Mounting Grommet | 218513300 |
| 25 | SCREW-COMPRESSOR MT | 240491503 |
| 26 | PAN-DEFROST | 241697602 |
| 29 | COMPRESSOR | 241650210 |
| 30 | Start Device | 297259515 |
| 32 | CLIP | 216954300 |
| 34 | Condenser Coil Grommet | 240405201 |
| 41 | SCREW-#8-32 X 3/8 | 240555002 |
| 44 | CLAMP-WIRING HARNES | 5303001199 |
| 45 | Hex Head Screw | 5304455650 |
| 55 | Run Capacitor - 120V | 297286803 |
| 58 | SCREW | 240569202 |
| 59 | SHROUD-COND FAN | 241946106 |
| 60 | Condenser Fan Motor | 242018304 |
| 61 | BLADE-CONDENSER FAN | 241639502 |
| 62 | TROUGH | 241719606 |
| 70 | BRACKET-EVAP/CVR MT | 218990801 |
| 82 | Rear Roller - Black | 5304418225 |
| 83 | RIVET | 5304455655 |
| 84 | TUBE-DRAIN | 241830905 |
| 85 | TUBE-CONNECTOR (SUC | 241856909 |
| 86 | SPACER-COND TUBE | 240409302 |