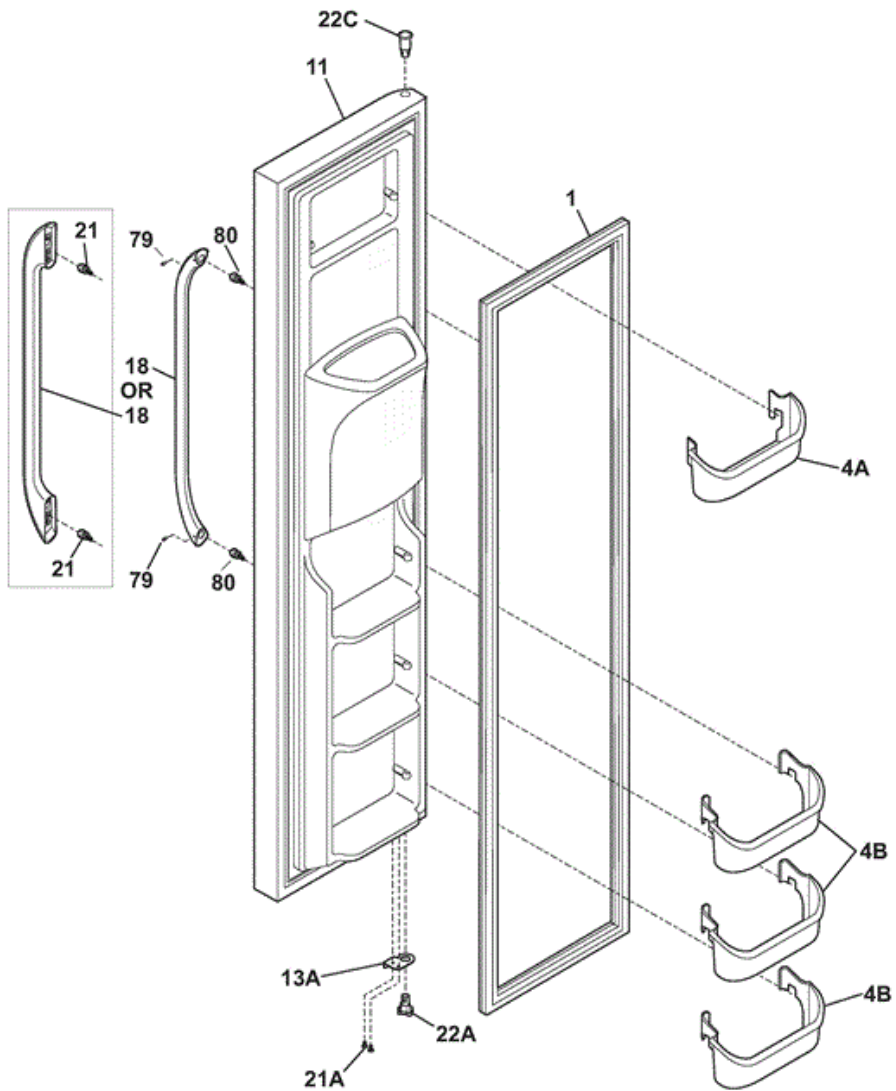


FFSS2614QS0 FREEZER DOOR

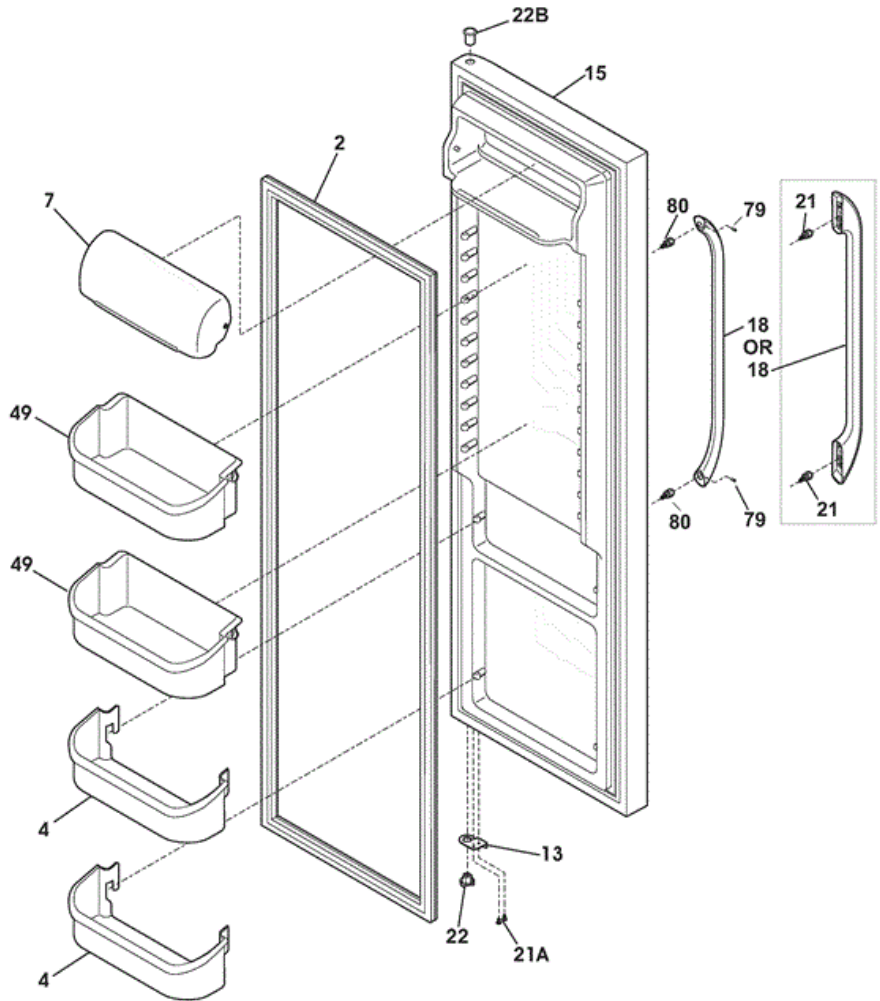




FFSS2614QS0 FREEZER DOOR

| | | |
|-----|-----------|--|
| 11 | 807460016 | FREEZER DOOR,COMPLETE ,STAINLESS |
| 13A | 240581906 | DOOR STOP,BLACK ,FRZR |
| 18 | 242059301 | HANDLE-DOOR,STAINLESS ,W/SET SCREWS |
| 21A | 240442706 | SCREW-NO.10-32 X 3/4,ZINC |
| 22A | 242000502 | BEARING-HINGE,BLACK ,LOWER |
| 22C | 240328404 | BEARING-HINGE,BLACK ,UPPER |
| 4A | 240334201 | BIN-DOOR,FRZR-UPPER |
| 4B | 240351601 | BIN-DOOR |
| 79 | 218755401 | SCREW-SET,10-32 X 0.375 |
| 80 | 218755504 | SCREW-SHOULDER,NO.10 AB ,HANDLE MOUNTING |
| F1 | 241786006 | GASKET-FRZR DOOR,BLACK ,MAGNETIC |
| FNI | 240552101 | HARNESS-WIRING,DOOR |
| NI | 240451503 | SCREW,IND HEX WSHR HD ,8-32 X 0.375 ,TRILOBE |
| NI | 242103001 | CONNECTOR-WATER,STRAIGHT ,5/16 TO 5/16 |

FFSS2614QS0 REFRIGERATOR DOOR





FFSS2614QS0 REFRIGERATOR DOOR

| | | |
|-----|-----------|--|
| 4 | 240323001 | BIN-DOOR,PSEUDO ,BOTTOM |
| 7 | 240326203 | DOOR-DAIRY |
| 13 | 240581905 | DOOR STOP,BLACK ,REF |
| 15 | 807460117 | REFRIGERATOR DOOR,COMPLETE ,STAINLESS |
| 18 | 242059301 | HANDLE-DOOR,STAINLESS ,W/SET SCREWS |
| 21A | 240442706 | SCREW-NO.10-32 X 3/4,ZINC |
| 22 | 242015302 | BEARING-HINGE(REF),BLACK ,CLOSER |
| 22B | 240328404 | BEARING-HINGE,BLACK ,UPPER |
| 49 | 240356401 | BIN-DOOR,GALLON |
| 79 | 218755401 | SCREW-SET,10-32 X 0.375 |
| 80 | 218755504 | SCREW-SHOULDER,NO.10 AB ,HANDLE MOUNTING |
| F2 | 241786005 | GASKET-REFR DOOR,BLACK ,MAGNETIC |

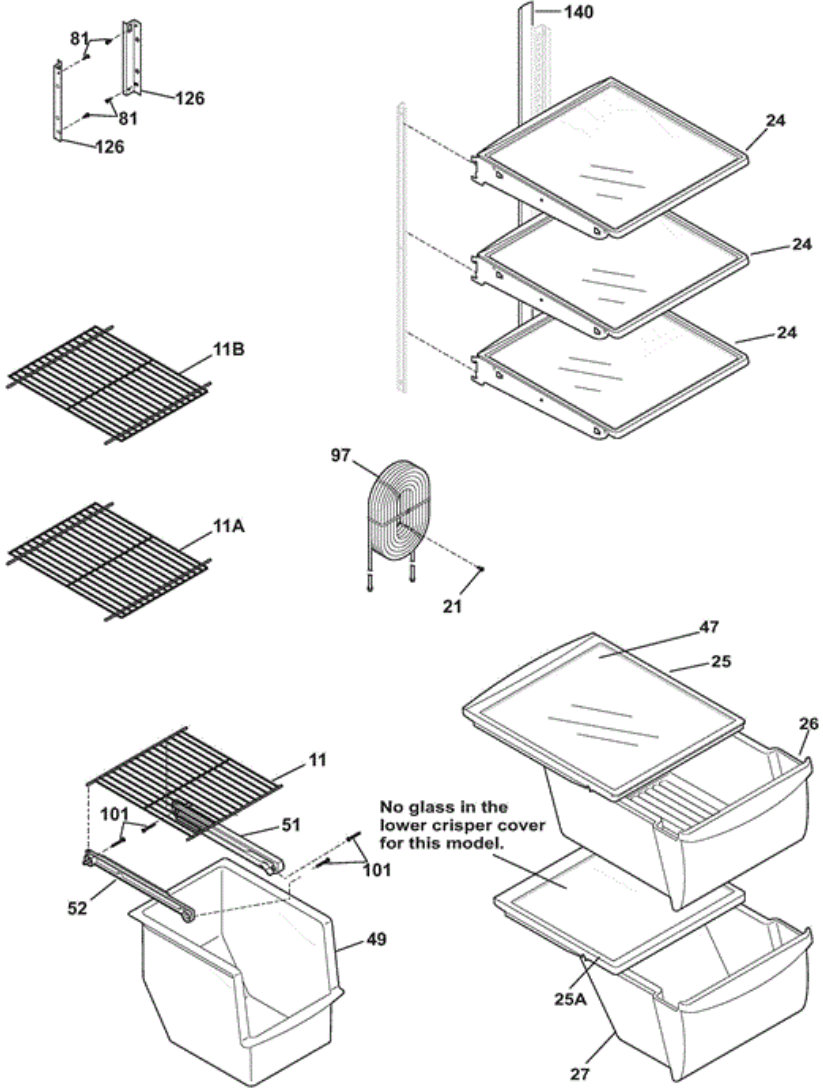


FFSS2614QS0 CABINET

| | | |
|------|------------|---|
| 10 | 240435912 | COVER-AIR DUCT |
| 10A | 241719711 | COVER-EVAP COIL,LOWER |
| 11 | 5303208309 | PLUG-HOLE, FACTORY TEST |
| 14 | 240505801 | SWITCH-LIGHT/LAMP |
| 14A | 241547901 | SWITCH-LIGHT/LAMP,FRZR DOOR |
| 21C | 218252201 | SCREW,NO.8 TRUSS HD ,10-32CA X 0.500 |
| 22 | 241856502 | PLATE-DOOR CLOSER,BLACK |
| 28 | 240335502 | BOLT-ROLLER ADJ,HEX WASHER HEAD , |
| 30 | 242034601 | BRACKET-LOWER HINGE |
| 30A | 242034604 | BRACKET-LOWER HINGE |
| 37 | 242161202 | TRIM-CABINET CORNER,BLACK ,(2) |
| 38 | 240327207 | BRACKET-UPPER HINGE |
| 40 | 240327007 | COVER-UPPER HINGE,BLACK |
| 41 | 241550801 | GROMMET-SHELF MTG,1.40`` LONG |
| 42 | 240578902 | SCREW,HEX HEAD ,1/4-20 X 5/8 |
| 43 | 240335006 | ROLLER ASSY,FRONT ,(2) |
| 45 | 241500303 | SCREW,HEX WASHER HEAD ,8-18AB X 1/2 |
| 47 | 218659500 | CHANNEL-SHELF MTG,SIDE ,(2) |
| 58 | 218781101 | SCREW,PAN HEAD ,8-18 X 0.625 |
| 66B | 240374301 | DIFFUSER-AIR |
| 72 | 240324411 | GRILLE/KICKPLATE,BLACK |
| 81 | 5304455650 | SCREW,HEX WASHER HEAD ,8-15A X 0.625 |
| 82 | 5304418225 | ROLLER,COMPRESSOR BASE ,REAR ,(2) |
| 83 | 5304455655 | RIVET,FLAT HEAD ,1/4 OD X 1-3/4 ,ROLLER PIN |
| 89 | 241733902 | COVER-ACCESS,W/LABEL |
| 90 | 218249808 | SEAL-COIL COVER |
| 91 | 240380101 | DUCT-ICE MAKER |
| 92 | 241710601 | SCREW,HEX WASHER HD ,1/4 X 7/8 ,HINGE MTG |
| 100 | 241993101 | SUPPORT-CRISPER CVR |
| F100 | 241993001 | SUPPORT-CRISPER CVR |
| F66B | 240518802 | PIN-PUSH,PUSH-IN ,PLASTIC |
| NI | 240396801 | CLAMP,TUBE/WIRING ,NYLON ,BLACK/NATURAL |
| NI | 240494001 | PLUG-BUTTON,WHITE ,CAB LINER HOLES |

| | | |
|----|------------|------------------------------|
| NI | 241550701 | GROMMET-SHELF MTG,.96`` LONG |
| NI | 5303321321 | PAINT,TOUCH-UP,BLACK |

FFSS2614QS0 SHELVES

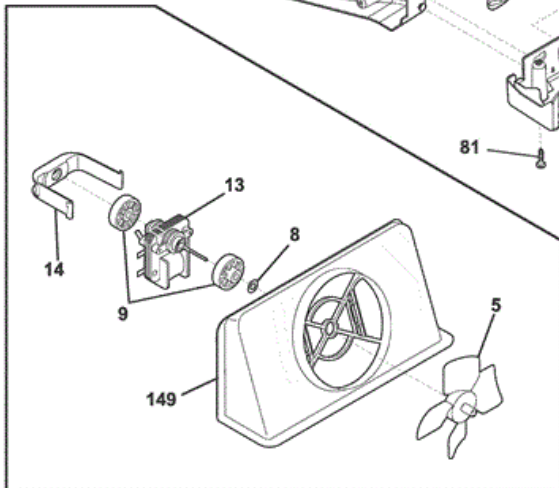
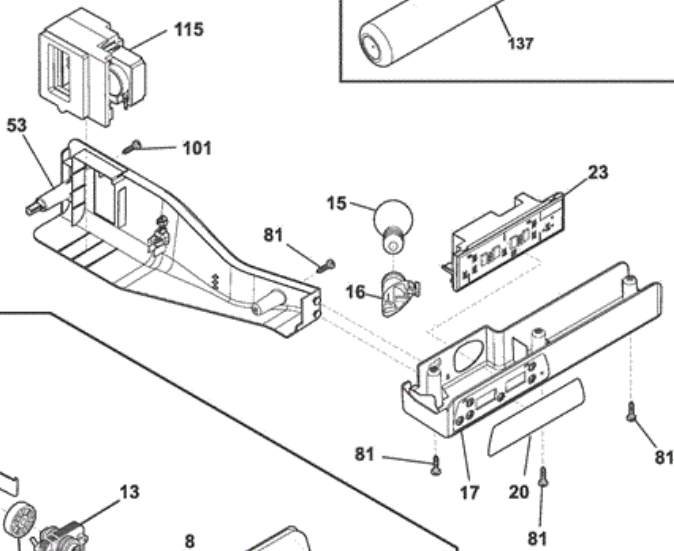
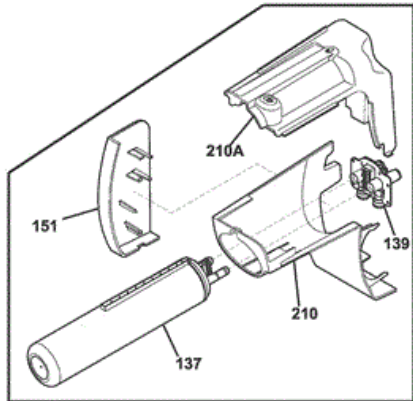
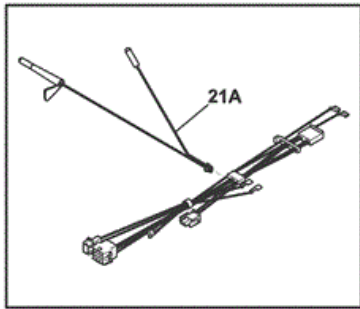




FFSS2614QS0 SHELVES

| | | |
|-----|------------|---------------------------------------|
| 11 | 241657602 | SHELF,FLIP UP ,WIRE |
| 11A | 241657502 | SHELF,FIXED ,FREEZER |
| 11B | 241657504 | SHELF,FIXED ,UPPER ,FREEZER |
| 24 | 240350150 | SHELF,SPILL-SAFE ,SLIDING ,CANTILEVER |
| 25 | 240350702 | COVER-CRISPER PAN,UPPER |
| 25A | 240350903 | COVER-CRISPER PAN,LOWER |
| 26 | 240351007 | PAN-CRISPER,UPPER |
| 27 | 240351207 | PAN-CRISPER,LOWER |
| 47 | 240350649 | INSERT-PAN COVER,GLASS |
| 49 | 240564401 | BASKET-SLIDING |
| 51 | 240343002 | HANGER-BASKET,RH |
| 52 | 240343102 | HANGER-BASKET,LH |
| 81 | 5304455650 | SCREW,HEX WASHER HEAD ,8-15A X 0.625 |
| 97 | 240545310 | WATER TANK |
| 101 | 218493101 | SCREW,HEX WASHER HEAD ,8-18AB X 1-3/4 |
| 126 | 241674401 | CHANNEL,AUGER MTG ,LH |
| 126 | 241674402 | CHANNEL,AUGER MTG ,RH |
| 140 | 240430501 | CHANNEL,WTR TUBE COVER |
| NI | 240349801 | CLIP-SLIDE,PAN |
| NI | 240362101 | CLIP-SLIDE,COVER |
| NI | 242200101 | CLIP,TUBING ,90 DEG ELBOW |

FFSS2614QS0 CONTROLS





FFSS2614QS0 CONTROLS

| | | |
|------|------------|--|
| 8 | 215474201 | WASHER, ``SLINGER`` ,NYLON ,EVAP FAN SHAFT |
| 9 | 241563601 | BUSHING-MOTOR MTG |
| 14 | 242135301 | CLIP, EVAP FAN MOTOR ,EVAP FAN MOTOR |
| 17 | 241633511 | BOX-CONTROL, FRONT |
| 20 | 241604010 | LABEL-CONTROL BOX |
| 53 | 241608902 | BOX-CONTROL |
| 81 | 5304455650 | SCREW, HEX WASHER HEAD ,8-15A X 0.625 |
| 101 | 241637202 | SCREW, HEX SEMS HEAD ,8-18AB X 1-3/4 |
| 139 | 242009601 | BASE-WATER FILTER |
| 149 | 241563501 | SHROUD-FAN ORFICE |
| 151 | 242069701 | COVER-WATER FILTER |
| 210 | 241983814 | HOUSING-WATER FILTR |
| F115 | 242303001 | DAMPER ASSY, W/SEAL |
| F13 | 241854601 | MOTOR-EVAP FAN, W/HARNESS |
| F137 | 242069601 | FILTER-WATER, CARBON |
| F149 | 241528306 | SEAL, SHROUD |
| F15 | 241555401 | LIGHT BULB |
| F16 | 218906802 | SOCKET-LIGHT/LAMP |
| F21 | 242303101 | WIRING HARNESS, ASSEMBLY , CONTROL BOX |
| F210 | 241998302 | MOUNT-WATER FILTER |
| F21A | 242278801 | THERMISTOR ASSEMBLY, REFRIG/FREEZER |
| F23 | 242207704 | CONTROL, ELECTRONIC , W/COVER |
| F5 | 5308000010 | FAN BLADE, RED , EVAPORATOR FAN |

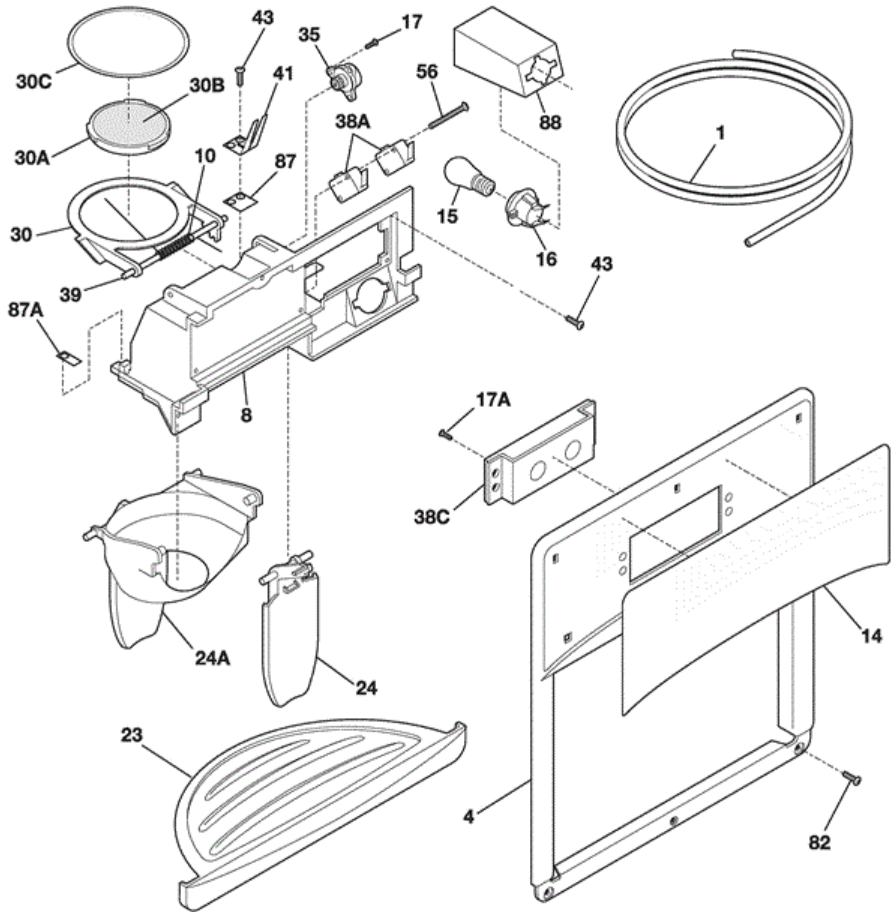


FFSS2614QS0 SYSTEM

| | | |
|-----|------------|---|
| 3 | 218679614 | BLOCK-EVAP COIL,STYROFOAM ,(2) |
| 16 | 5308000110 | STRAP-EVAP/HEATER,ALUMINUM ,(2) |
| 22 | 240330012 | BASE-COMPRESSOR |
| 23 | 241659701 | GROMMET-COMPR MTG,COMPRESSOR ,(4) |
| 25 | 240491503 | SCREW-COMPRESSOR MTG,1/4-28 X 1.16 ,(4) |
| 26 | 241697602 | PAN-DEFROST |
| 30 | 297259502 | CONTROLLER,COMPRESSOR |
| 32 | 216954300 | CLIP,CONTROLLER |
| 34 | 240405201 | GROMMET,RUBBER ,BLACK ,COND TUBE/WIRE |
| 41 | 240555002 | SCREW-NO.8-32 X 3/8 |
| 44 | 215174700 | CLAMP-SERVICE CORD, STRAIN RELIEF, GALV STEEL |
| 45 | 5304455650 | SCREW,HEX WASHER HEAD ,8-15A X 0.625 |
| 58 | 240569201 | SCREW,8-18 X 0.500 |
| 59 | 241946106 | SHROUD-COND FAN |
| 61 | 241639501 | BLADE-CONDENSER FAN |
| 62 | 240429405 | TROUGH-DRAIN |
| 70 | 218990801 | BRACKET-EVAP/CVR MTG |
| 82 | 5304418225 | ROLLER,COMPRESSOR BASE ,REAR ,(2) |
| 83 | 5304455655 | RIVET,FLAT HEAD ,1/4 OD X 1-3/4 ,ROLLER PIN |
| 84 | 241830903 | TUBE-DRAIN,LOWER |
| 85 | 241856903 | TUBE-CONNECTOR,SUCTION |
| 86 | 240409302 | SPACER-COND TUBE,BLACK |
| F1 | 242106605 | CONDENSER |
| F14 | 242044113 | HEATER-DEFROST |
| F15 | 5303918284 | EVAPORATOR KIT |
| F29 | 241650210 | COMPRESSOR,W/O ELECTRICALS |
| F4 | 5303305677 | DRYER-FILTER,R12 & R134A |
| F55 | 297286803 | CAPACITOR-RUN |
| F6 | 242019501 | HARNESS-WIRING,MACHINE COMPT. |
| F60 | 242018301 | MOTOR-CONDENSER FAN |
| FNI | 242303101 | WIRING HARNESS,ASSEMBLY ,CONTROL BOX |
| NI | 218252201 | SCREW,NO.8 TRUSS HD ,10-32CA X 0.500 |
| NI | 240346701 | TAPE-FOAM SEAL,SHROUD |

| | | |
|----|-----------|----------------------|
| NI | 240359403 | SCREW-FAN SHROUD,(2) |
| NI | 242036801 | CLIP-TUBE,DRAIN |

**FFSS2614QS0 ICE & WATER
 DISPENSER**





FFSS2614QS0 ICE & WATER DISPENSER

| | | |
|------|------------|--|
| 1 | 218976409 | TUBE,WATER ,60`` ,NATURAL ,DOOR |
| 4 | 241679003 | COVER-MODULE,BLACK |
| 8 | 241680507 | MODULE-DISPENSER |
| 10 | 241688901 | SPRING-TORSION |
| 14 | 240570230 | LABEL-MODULE COVER,BLACK |
| 15 | 241689401 | LIGHT BULB |
| 16 | 240548901 | SOCKET-LIGHT |
| 17 | 241679801 | SCREW |
| 17A | 241679901 | SCREW,SHIELD MTG. |
| 23 | 241649003 | DRIP TRAY,BLACK |
| 24 | 241682003 | ACTUATOR-WATER,BLACK |
| 24A | 241681903 | ACTUATOR-ICE,BLACK |
| 30 | 241688401 | DOOR ASSY-ICE CHUTE |
| 30A | 241688501 | DOOR CENTER |
| 30B | 241688601 | INSULATION-DOOR |
| 30C | 241688701 | DOOR SEAL |
| 35 | 241689301 | DAMPER-ROTARY |
| 38C | 5304430836 | SWITCH |
| 39 | 241688801 | PIN-HINGE |
| 41 | 241689001 | SPRING-ACTUATOR |
| 43 | 215296301 | SCREW,PLASK H/L ,NO.6 X 3/8 |
| 56 | 241689201 | SCREW-MICRO SWITCH,PAN HEAD |
| 82 | 240363402 | SCREW,PLASK ,NO.8-18 X .500 |
| 87 | 241688302 | BEARING PLATE |
| 87A | 241688301 | BEARING PLATE |
| 88 | 241686101 | SHIELD-LIGHT |
| F38A | 241679201 | HARNESS-WIRING |
| F38A | 241689101 | SWITCH-MICRO,SINGLE POLE ,DOUBLE THROW |
| F38C | 241679101 | SWITCH |
| F38C | 241686001 | HARNESS-WIRING |
| NI | 218515403 | CLIP-GRILLE |
| NI | 218976419 | TUBE-WATER INLET,5/16 - 34`` ,YELLOW , |
| NI | 218976429 | TUBE-WATER INLET,5/16 - 97.50`` ,BROWN/TAN |

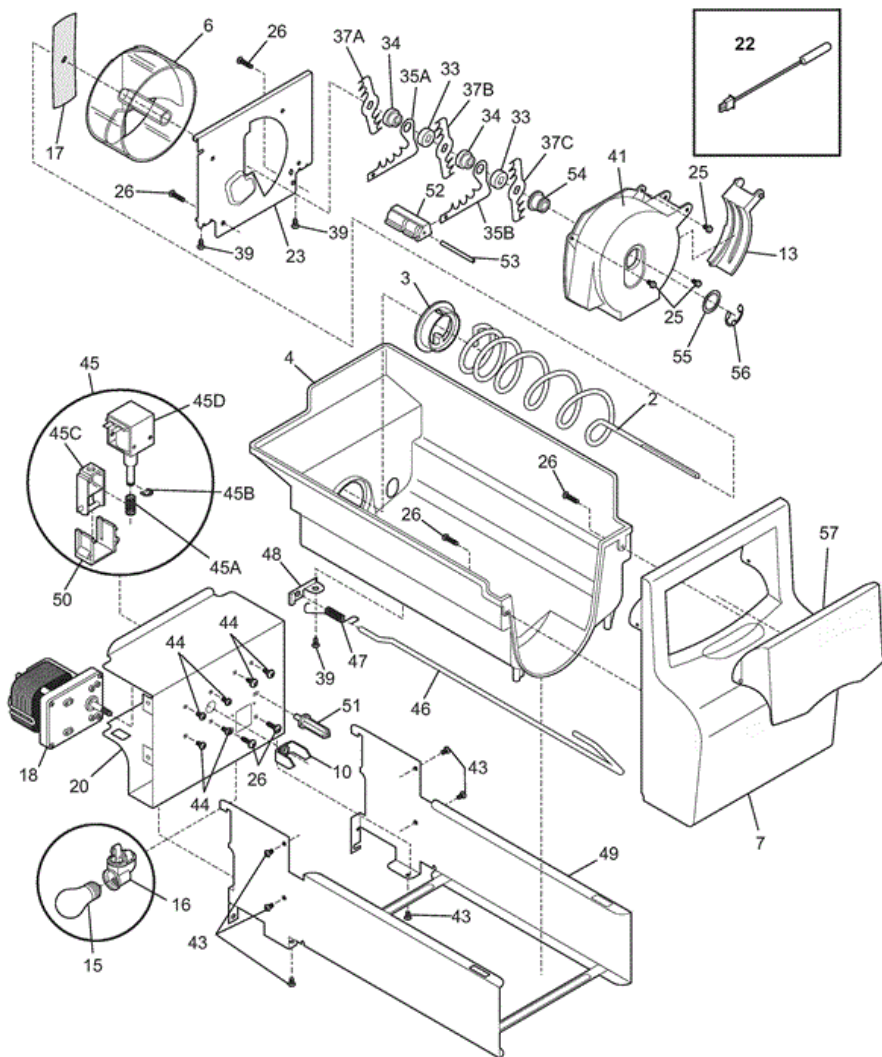
| | | |
|----|-----------|--|
| NI | 218976915 | TUBE-WATER INLET,INLET VALVE ,TO I/M INLET |
| NI | 240561701 | SEAL-WATER INLET,INLET VALVE ,TO ICE MAKER |

Distribuidor Autorizado

SurteRápido.com

Venta de Refacciones
Electrodomesticas

FFSS2614QS0 ICE CONTAINER





FFSS2614QS0 ICE CONTAINER

| | | |
|-----|-----------|--------------------------------------|
| 2 | 241716101 | AUGER-ICE |
| 3 | 241685201 | CAM-DRIVE |
| 4 | 241734001 | CONTAINER-ICE,BUCKET ONLY |
| 6 | 241685103 | DRUM-ICE DISP |
| 7 | 241734201 | FRONT-ICE CONTAINER |
| 10 | 241726501 | BAR-DRIVE |
| 13 | 241685301 | GATE |
| 17 | 241684501 | DRIVE BLADE |
| 20 | 241734902 | COVER,MOTOR |
| 22 | 240597203 | SENSOR,TEMPERATURE ,10K ,NTC |
| 23 | 241684001 | PLATE-FRONT |
| 25 | 241690701 | SCREW,HEX WASHER HEAD ,8-32T X 0.375 |
| 26 | 215503203 | SCREW,CR PAN HD ,10-16 X 0.500 |
| 33 | 241684801 | SPACER |
| 34 | 241689801 | SPACER |
| 35A | 241684301 | FIXED BLADE,ROUND |
| 35B | 241684201 | FIXED BLADE,SQUARE |
| 37A | 241684101 | BLADE,CRUSHER NO.1 |
| 37B | 241684102 | BLADE,CRUSHER NO.2 |
| 37C | 241684103 | BLADE,CRUSHER NO.3 |
| 39 | 241690501 | SCREW |
| 41 | 241685601 | HOUSING-CRUSHER |
| 43 | 218359202 | SCREW,PAN HEAD ,8-32 X 0.250 |
| 44 | 241842101 | SCREW,8-32 X 1/4 |
| 45A | 241675902 | SPRING-SOLENOID |
| 45B | 241676001 | E-RING-SOLENOID |
| 45C | 241676101 | ACTUATOR-SOLENOID |
| 46 | 241716002 | CONTROL ROD |
| 47 | 241731801 | SPRING-CONTROL ROD |
| 48 | 241684602 | BRACKET-CONTROL ROD |
| 49 | 241734501 | RAIL ASSY |
| 50 | 241675601 | GUIDE-SOLENOID |
| 51 | 241676301 | ROTATION STOP |

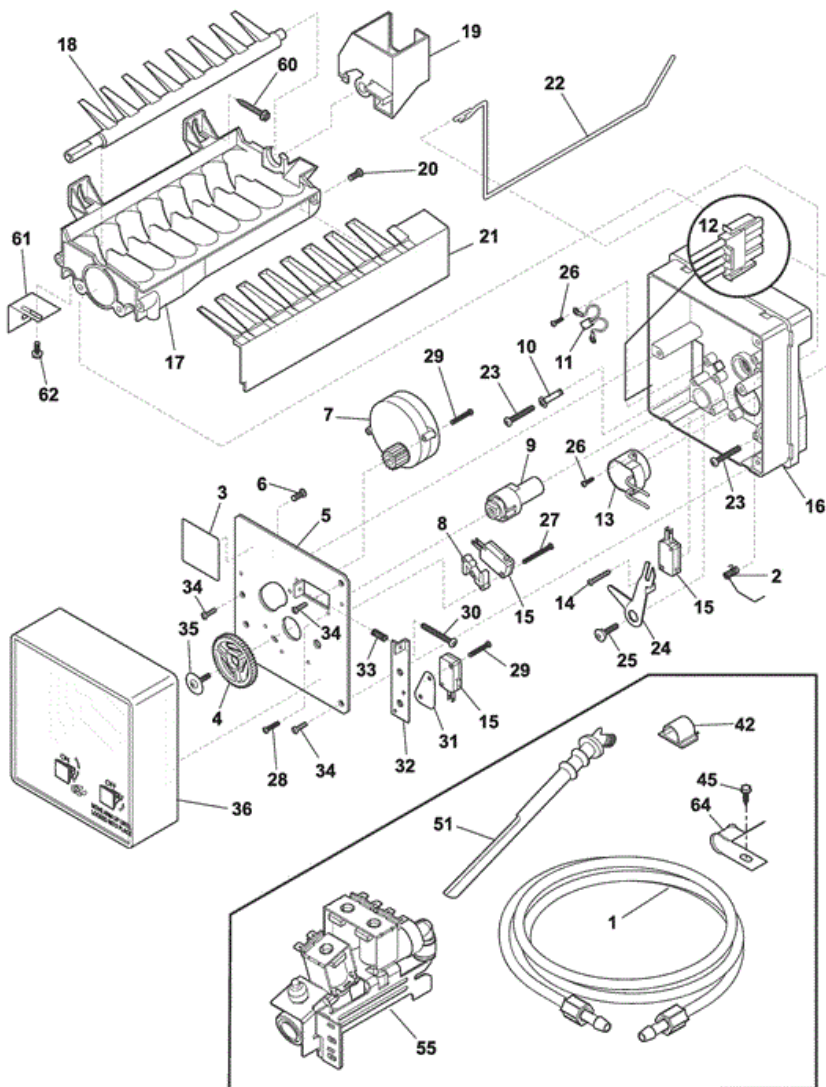
| | | |
|------|-----------|------------------------------------|
| 52 | 241684901 | SPACER-FIXED BLADES |
| 53 | 241690402 | PIN-SPIRAL, FIXED BLADES |
| 54 | 241685001 | NUT-AUGER |
| 55 | 241690306 | WASHER |
| 56 | 241690201 | E-RING |
| 57 | 241734101 | DOOR-ACCESS |
| F15 | 241555401 | LIGHT BULB |
| F16 | 241559801 | SOCKET-LIGHT |
| F18 | 241676201 | MOTOR-AUGER |
| F45 | 241675704 | SOLENOID ASSY, 115V |
| F45D | 241675803 | SOLENOID, 115V |
| NI | 240507202 | DEFLECTOR-ICE CONTAINER |
| NI | 241519401 | CLIP, SENSOR |
| NI | 241522901 | HARNESS-WIRING, ICMKR/CONTAINER |
| NI | 241860803 | ICE CONTAINER ASSY, W/MOVING PARTS |

Distribuidor Autorizado

SurteRápido.com

Venta de Refacciones
Electrodomesticas

FFSS2614QS0 ICE MAKER





FFSS2614QS0 ICE MAKER

| | | |
|----|------------|---|
| 1 | 218976409 | TUBE,WATER ,60`` ,NATURAL ,DOOR |
| 2 | 5304456650 | SPRING-SHUTOFF ARM,ICE MAKER |
| 3 | 5304456657 | NAMEPLATE |
| 4 | 5304456658 | GEAR |
| 5 | 5304456659 | PLATE-MOUNTING |
| 6 | 5304456691 | SCREW,M 3X20 NO.3 ,VALVE PLATE |
| 8 | 5304456661 | SPACER-HOLD SWITCH |
| 9 | 5304456662 | CAM |
| 10 | 5304456689 | WASHER,NYLON |
| 14 | 5304455676 | SCREW,PLASK ,4X14X3/4 |
| 16 | 5304456668 | SUPPORT |
| 17 | 5304456669 | MOLD-ICE MAKER,W/THERM CUT OFF |
| 18 | 5304456670 | EJECTOR-ICE |
| 19 | 5304456671 | BEARING & INLET,FILL CUP |
| 20 | 5304455677 | SCREW,8-32 X 3/8 |
| 21 | 5304456672 | ICE STRIPPER |
| 22 | 5304456673 | SHUT-OFF ARM |
| 23 | 5304456674 | SCREW,M 4X25 NO.2 ,MOLD-TO-SUPPORT ,(2) |
| 24 | 5304456675 | LEVER ARM |
| 25 | 5304456676 | SCREW,M 4X12.8 NO.2 ,LEVER ARM/SPRT |
| 26 | 5304455680 | SCREW,PLASK ,4-14 X 3/8 |
| 27 | 5304456677 | SCREW,M 3X25 NO.3 ,HOLD SWITCH MTG ,(2) |
| 28 | 5304456660 | SCREW,M 4X6 NO.2 |
| 29 | 5304456678 | SCREW,M 3X12 NO.3 ,(2) |
| 30 | 5304456679 | SCREW-TIMING ADJ,M 4X25 NO.3 |
| 31 | 5304456680 | INSULATOR |
| 32 | 5304456681 | PLATE-VALVE SWITCH |
| 33 | 5304456682 | SPRING,TIMING ADJUST |
| 34 | 5304456683 | SCREW,M 4X12 NO.2 ,(3) |
| 35 | 5304456684 | SCREW |
| 36 | 5304456685 | COVER-ICE MAKER |
| 42 | 218515403 | CLIP-GRILLE |
| 45 | 5304455650 | SCREW,HEX WASHER HEAD ,8-15A X 0.625 |

| | | |
|-----|------------|--|
| 51 | 241796401 | TUBE-WATER FILL,EXTENSION |
| 60 | 5303207328 | SCREW,HEX WASHER HEAD ,8-15A X 1.000 ,(2) |
| 61 | 5304456686 | BRACKET-LEVELING,ICE MAKER |
| 62 | 5304456687 | SCREW-IM BRKT MTG,PAN HD PHILLIPS ,8-32T X 0.375 |
| 64 | 5303001549 | CLAMP,0.31 ID ,STEEL ,COPPER WTR LINE |
| F11 | 5304456663 | THERMAL CUTOFF,ICE MAKER ,COMPLETE ASSY |
| F12 | 5304456664 | HARNESS-WIRING |
| F13 | 5304456665 | THERMOSTAT,ICE MAKER |
| F15 | 5304456667 | SWITCH-MICRO,(3) |
| F55 | 241734302 | VALVE-WATER,TRIPLE SOLENOID |
| F7 | 5304445222 | MOTOR-ICE MAKER SVO |
| FNI | 241522901 | HARNESS-WIRING,ICMKR/CONTAINER |
| NI | 218709101 | SCREW,HEX HEAD ,10-32 X 0.500 |
| NI | 218976419 | TUBE-WATER INLET,5/16 - 34`` ,YELLOW |
| NI | 218976429 | TUBE-WATER INLET,5/16 - 97.50`` ,BROWN/TAN |
| NI | 218976915 | TUBE-WATER INLET,INLET VALVE ,TO I/M INLET |
| NI | 240363602 | SCREW-SHOULDER |
| NI | 240542901 | CAP-WATER VALVE |
| NI | 240561701 | SEAL-WATER INLET,INLET VALVE ,TO ICE MAKER |
| NI | 241642501 | ICE MAKER,RADIUS CUBE ,115 V ,SVCE |
| NI | 242103001 | CONNECTOR-WATER,STRAIGHT ,5/16 TO 5/16 |
| NI | 5304445223 | SPRING BEAM |
| NI | 5304456666 | SCREW,M 3X20 NO.2 ,(6) |
| NI | 5304456688 | TERMINAL |
| NI | 5304456690 | LABEL,ID PLATE |
| NI | 5304456692 | WASHER |
| NI | 5304456693 | NUT,M 3.5 |
| NI | 5304456737 | WASHER |