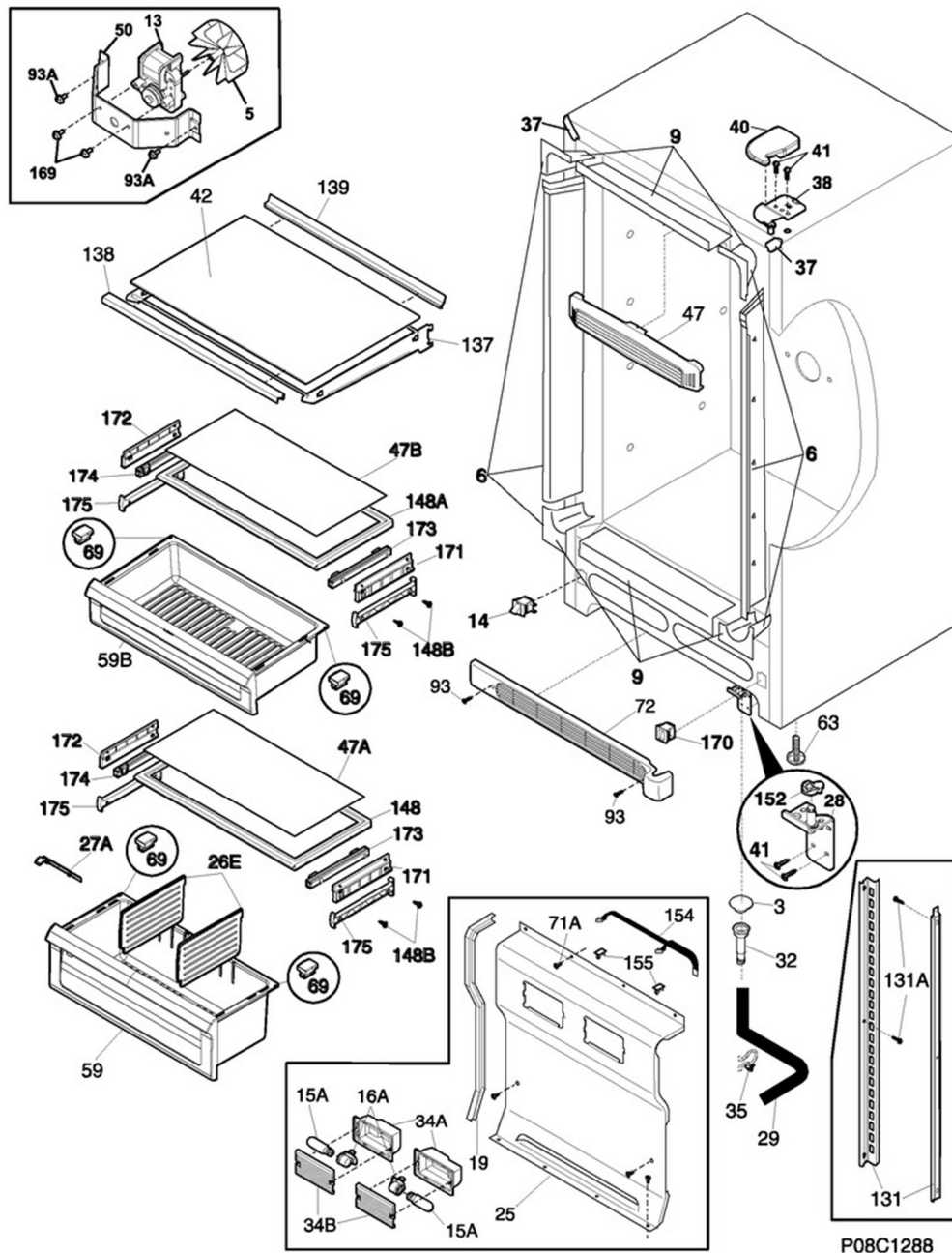


Publication No: 5995707766

FGRU19F6QFD

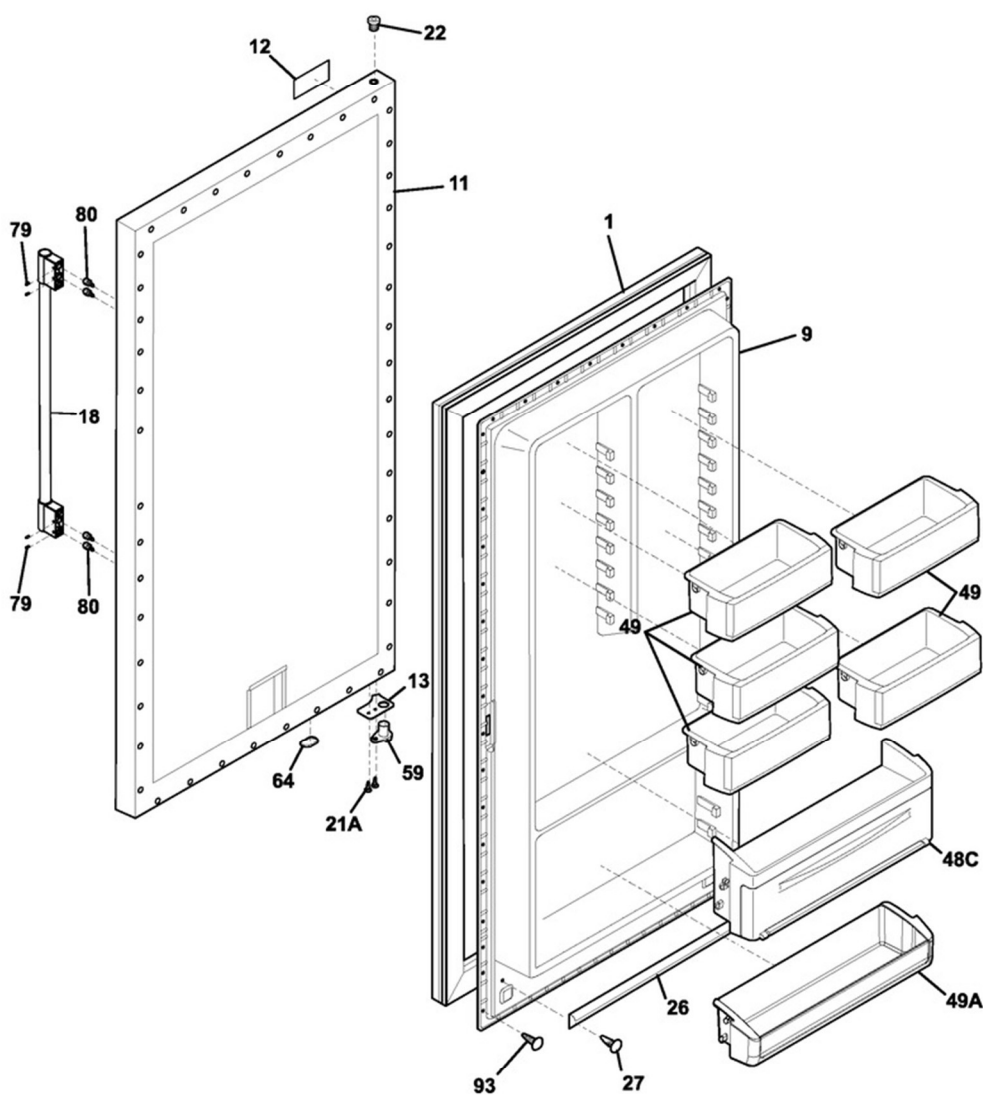
## CABINET



Guía	Descripción	Número
3	SCREEN-DRAIN	216503100
5	FAN BLADE	297259600
6	BREAKER KIT W/CORNE	297200900
9	BREAKER KIT W/CORNE	297200100
13	FAN MOTOR EVAP 115V	297309000
14	SWITCH	216822900
15	Refrigerator Light Bulb	5304517886
16	Light Socket - 25W	297139501
19	Evaporator Cover Gasket	216204902
25	COVER-EVAPORATOR	297099255
26C	PANEL	297295600
26E	DIVIDER-CRISPER	297099400
27A	Knob,humidity contrl	297295800
28	HINGE-LOWER	297302512
29	HOSE	5304510353
30	BREAKER	297215701
32	Drain Pipe	5304511843
34A	SHIELD-LIGHT	297053102
34B	LENS	297053200
35	Drain Hose Clamp	216273000
37	TRIM-CABINET CORNER	297273906
38	HINGE-UPPER	297303900
40	COVER-HINGE	297304000
41	Hinge Mounting Hexagonal Scre	240578902
42	Glass Shelf	297265900
47	BAFFLE	297192903
47A	Glass Shelf Insert	297102705
47B	Glass Shelf Insert	297102704
50	BRACKET-FAN MOTOR	127112
59	Crisper Drawer	A11791811
59B	Drawer	297292302
63	Adjustable Leveling Foot - Black	216396900
69	Bumper,crisper	297297300
71A	SCREW	297146820
72	GRILLE/KICKPLATE	297036907
93	SCREW	216858001
93A	SCREW	241853202

Guía	Descripción	Número
131	CHANNEL-SHELF Mounting	297130200
131A	SCREW	297146821
137	Frame-shelf,cantilever	297050600
138	TRIM-SHELF	297261400
139	TRIM-SHELF	297261500
148	FRAME-CRISPER COVER	297271700
148A	FRAME-CRISPER COVER	297271701
148B	SCREW	297142600
152	Bearing-hinge	297302700
154	WIRE	297053000
155	Clip, Plastic, W/Adhesive	30534600
169	SCREW	216912401
170	VALVE	297280403
171	BRACKET	297092700
172	BRACKET	297092701
173	SLIDE	5304515502
174	SLIDE	5304515501
175	SUPPORT	297099500

## DOOR



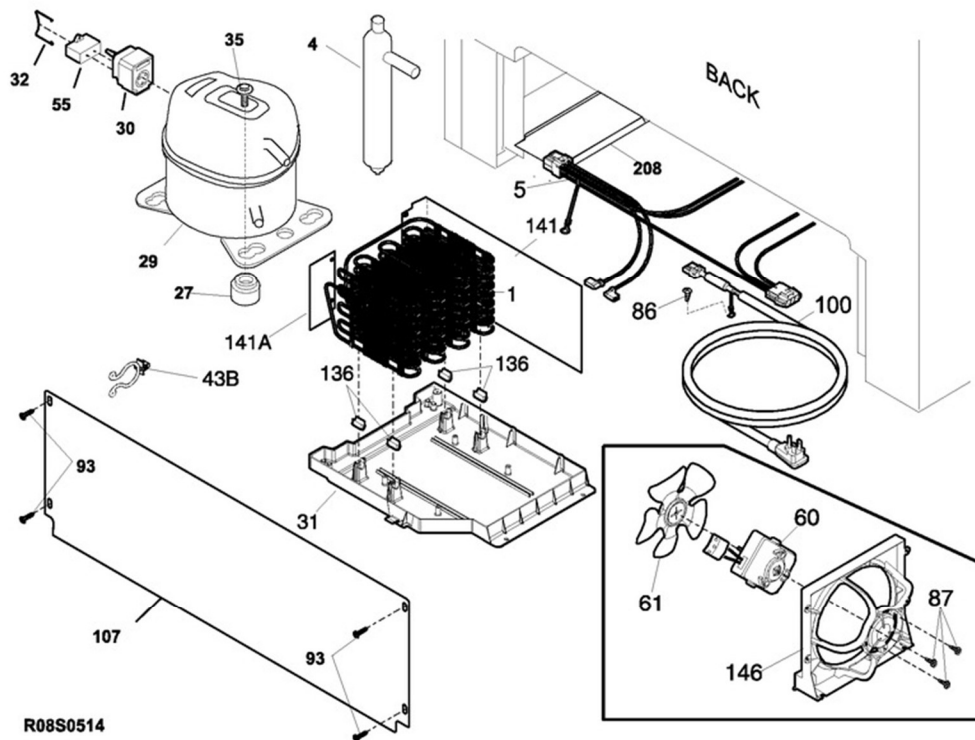
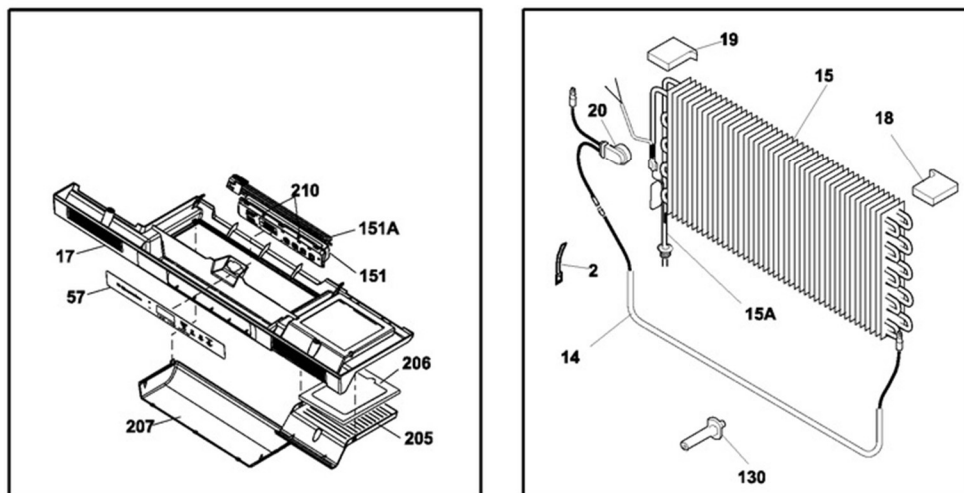
P08D0709A

Guía	Descripción	Número
1	Refrigerator Freezer Gasket	5304505782
9	PANEL-INNER DOOR	297280800
11	PANEL-OUTER DOOR	297329308
12	Frigidaire Gallery Logo Badge	242015201
13	Door Stop - Right Side	297302800
18	Door Handle - Stainless Steel	241930101
21A	SCREW	297197500
22	Top Hinge Bearing	216970802
26	Door Secondary Gasket	216524201
27	Gasket Retainer Clip Kit - 24 Piec	5303922007
41	Hinge Mounting Hexagonal Scre	240578902
48C	DOOR BIN	297326200
49	BIN-DOOR	297187201
49A	BIN-DOOR,GALLON,W/TRIM	297295401
59	Door Closing Cam	297302900
64	PLUG-SUCTION LINE	297014702
79	Set Screw - 10-32 x 0.375	218755401
80	Screw	218755504
93	SCREW	216858001

Publication No: 5995707766

FGRU19F6QFD

## SYSTEM



Guía	Descripción	Número
1	CONDENSER	297152201
2	Aluminum Heater Strap	5308000110
4	Filter - Drier	5303305677
5	HARNESS-MAIN	297334003
14	Defrost Heater	216730700
15	EVAPORATOR	297414901
15A	HEAT EXCHANGER	297217900
17	BOX-CONTROL	297269000
18	INSULATOR-EVAP	297078701
19	INSULATOR-EVAP	297078801
20	Defrost Thermostat	216731001
27	BOLT	297368501
29	COMPRESSOR	297411155
30	CONTROLLER	297259524
31	PAN-DRAIN	297165800
32	CLIP	5304497418
34	Drain Pipe	5304511843
35	Drain Hose Clamp	216273000
43B	CLIP	297315800
55	Run Capacitor	297286802
57	OVERLAY	297269405
60	Condenser Fan Motor	242018301
61	BLADE-CONDENSER FAN	241639502
86	SCREW	216036601
100	CORD	297366805
107	SHIELD	297165400
130	Evaporator Mounting Suppo	297244700
136	Condenser Coil Grommet	240405201
141	DIVIDER	297164202
141A	DIVIDER	297194700
146	SHROUD-FAN ORFICE	297164000
151	LECTRICAL CONTROL	5304497786
151A	HARNESS-JUMPER	5304495182
205	HOLDER	297294301
206	Air Filter	EAFCBF
207	SHIELD-LIGHT	297294500
208	GUARD-WIRE	297355201
210	SCREW	216905301