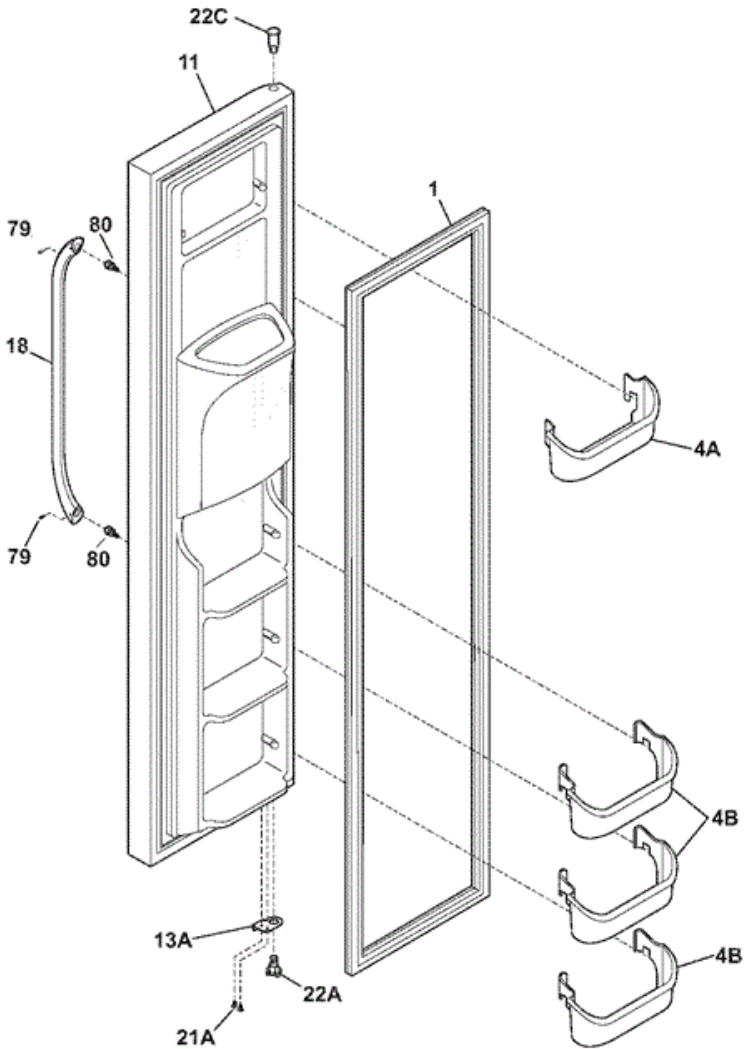


FGUS2642LF0 FREEZER DOOR

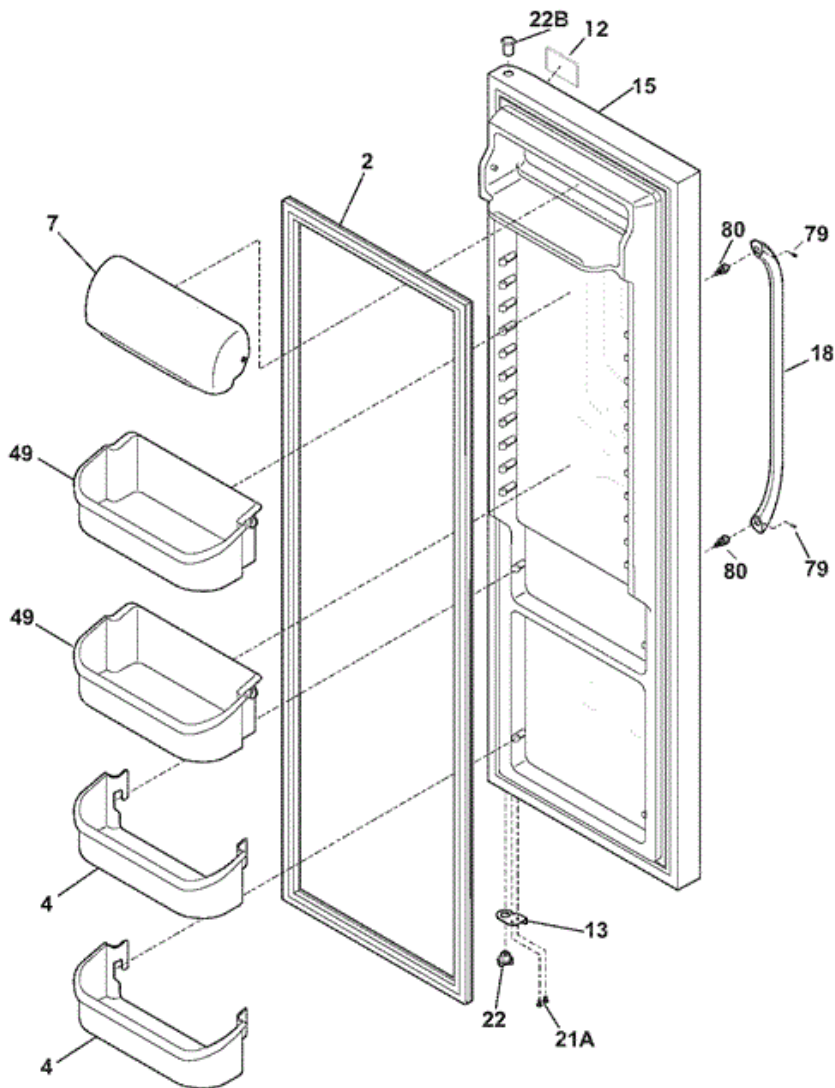




FGUS2642LF0 FREEZER DOOR

11	242026456	DOOR-FRZR,STAINLESS ,COMPLETE ASSY
13A	241990202	DOOR STOP,BLACK ,FRZR
18	241930101	HANDLE-DOOR,STAINLESS
21A	240442706	SCREW-NO.10-32 X 3/4,ZINC
22A	241990302	BEARING-HINGE(FRZ),CLOSER
22C	241760402	BEARING,HINGE ,TOP
4A	240334201	BIN-DOOR,FRZR-UPPER
4B	240351601	BIN-DOOR
79	218755405	SCREW-SET,10-32 X 0.650
80	218755504	SCREW-SHOULDER,NO.10 AB ,HANDLE MOUNTING
F1	241786010	GASKET-FRZR DOOR,GREY ,MAGNETIC
FNI	241834703	HARNESS-WIRING,DOOR
NI	240451503	SCREW,IND HEX WSHR HD ,8-32 X 0.375 ,TRILOBE
NI	241601002	WRENCH,ALLEN
NI	241701902	SCREWDRIVER-3/32` BALLDRIVER
NI	242103001	CONNECTOR-WATER,STRAIGHT
NI	5303918371	DISPENSER HEATER KIT,115

FGUS2642LF0 REFRIGERATOR DOOR





FGUS2642LF0 REFRIGERATOR DOOR

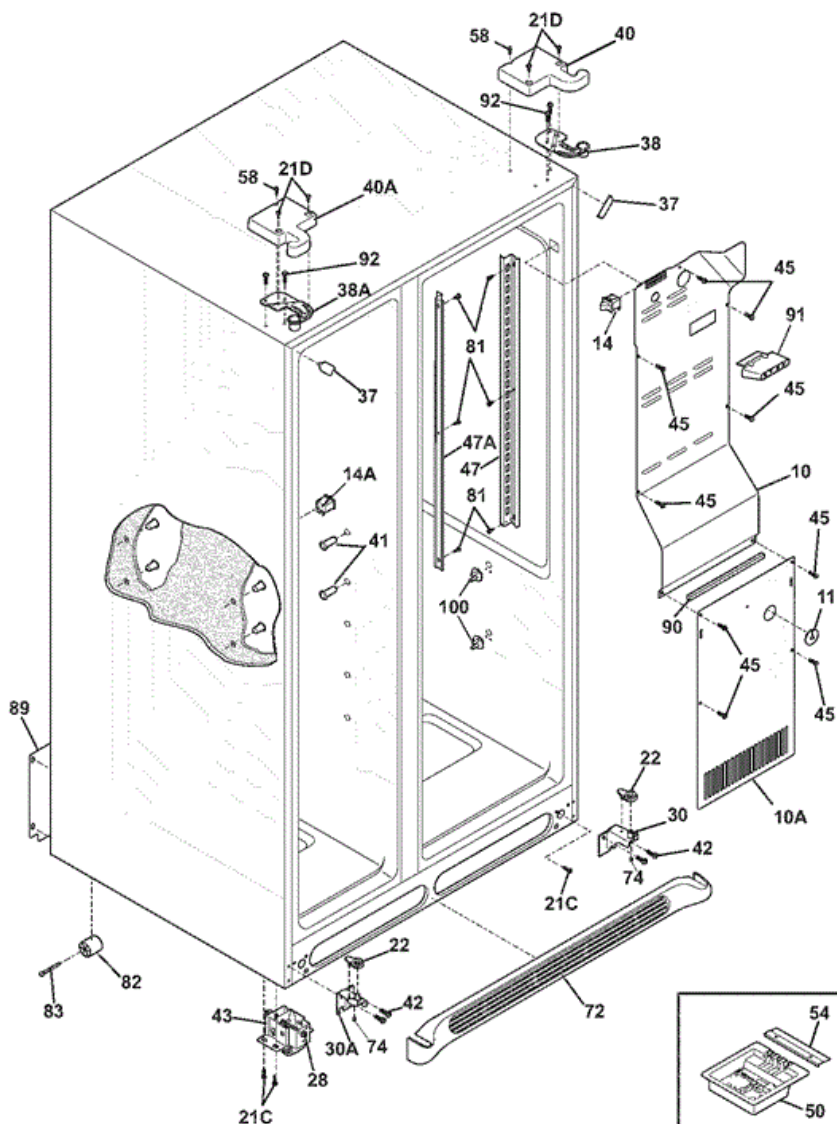
4	240323002	BIN-DOOR,PSEUDO ,CLEAR ,BOTTOM
7	240326203	DOOR-DAIRY
12	242015201	LABEL-NAMEPLATE
13	241990201	DOOR STOP,BLACK ,REF
15	242038850	DOOR-REFR,STAINLESS ,COMPLETE ASSY
18	241930101	HANDLE-DOOR,STAINLESS
21A	240442706	SCREW-NO.10-32 X 3/4,ZINC
22	241990301	BEARING-HINGE,GRAY
22B	241760404	BEARING,HINGE ,TOP
49	240356402	BIN-DOOR,GALLON
79	218755405	SCREW-SET,10-32 X 0.650
80	218755504	SCREW-SHOULDER,NO.10 AB ,HANDLE MOUNTING
F2	241786009	GASKET-REFR DOOR,GREY ,MAGNETIC
NI	241601002	WRENCH,ALLEN
NI	241701902	SCREWDRIVER-3/32`` BALLDRIVER

Distribuidor Autorizado

SurteRápido.com

Venta de Refacciones
Electrodomesticas

FGUS2642LF0 CABINET





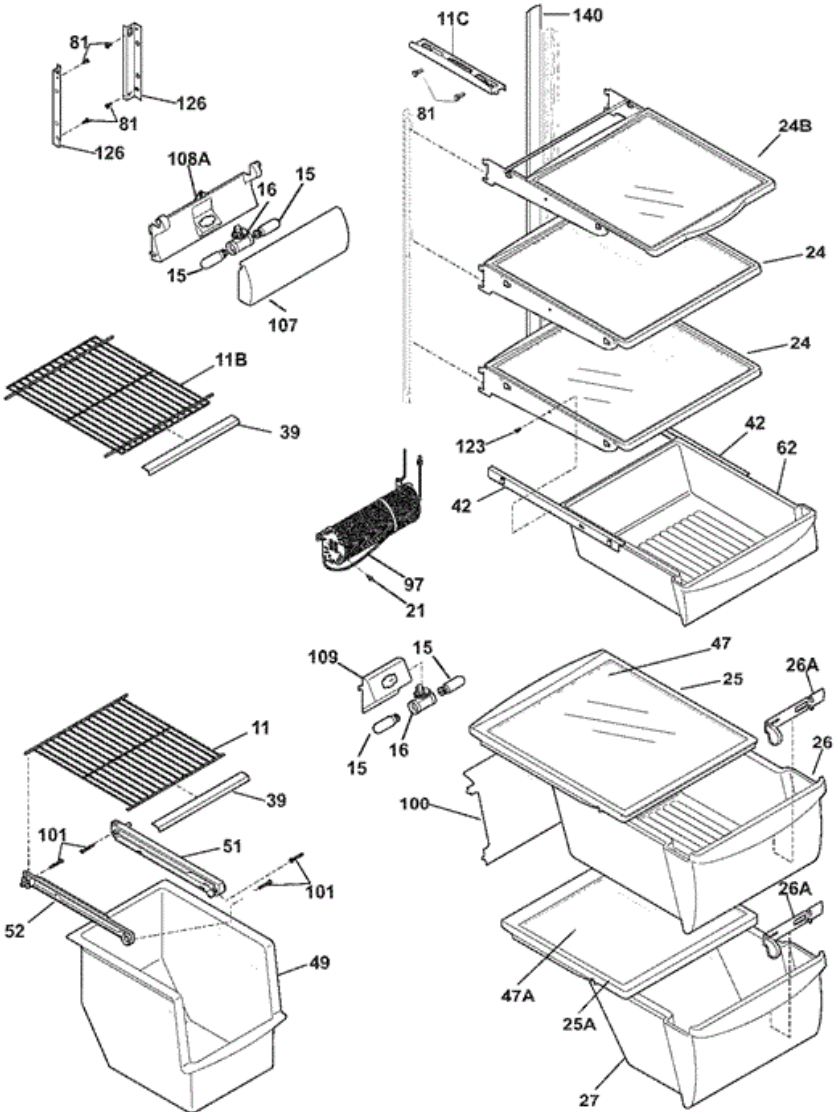
FGUS2642LF0 CABINET

10	240435912	COVER-AIR DUCT
10A	241719711	COVER-EVAP COIL,LOWER
11	5303208309	PLUG-HOLE, FACTORY TEST
14A	242060201	SWITCH-LIGHT/LAMP,FRZR DOOR
21C	218252201	SCREW,NO.8 TRUSS HD ,10-32CA X 0.500
21D	218781101	SCREW,PAN HEAD ,8-18 X 0.625
22	241917801	PLATE-DOOR CLOSER
28	240335502	BOLT-ROLLER ADJ,HEX WASHER HEAD ,1/4-20
30	241917901	BRACKET-LOWER HINGE,RH ,W/HINGE PIN
30A	241917902	BRACKET-LOWER HINGE,LH ,W/HINGE PIN
37	240337615	TRIM-CABINET CORNER,GRAY ,(2)
38	241761301	BRACKET-UPPER HINGE,RH
38A	241761302	BRACKET-UPPER HINGE,LH
40	241946717	COVER-UPPER HINGE,GRAY ,RH
40A	241946718	
41	241550801	GROMMET-SHELF MTG,1.40` LONG
42	240578902	SCREW,HEX HEAD ,1/4-20 X 5/8
43	240335006	ROLLER ASSY,FRONT ,(2)
45	241500303	SCREW,HEX WASHER HEAD ,8-18AB X 0.500
47	242001902	CHANNEL-SHELF MTG,SIDE ,LH
47A	242001901	CHANNEL-SHELF MTG,SIDE ,RH
50	242009029	BOARD-MAIN POWER
54	241532401	CHANNEL
58	241548003	SCREW,10-32 X 3/8
72	241969405	GRILLE/KICKPLATE
74	218755402	SCREW-SET,10-32 X 0.375
81	5304455650	SCREW,HEX WASHER HEAD ,8-15A X 0.625
82	5304418225	ROLLER,COMPRESSOR BASE ,REAR ,(2)
83	5304455655	RIVET,FLAT HEAD ,1/4 OD X 1-3/4 ,ROLLER PIN
89	241733902	COVER-ACCESS,W/LABEL
90	218249808	SEAL-COIL COVER
91	240380101	DUCT-ICE MAKER
92	241710601	SCREW,HEX WASHER HD ,1/4 X 7/8 ,HINGE MTG

100	241993101	SUPPORT-CRISPER CVR
F100	241993001	SUPPORT-CRISPER CVR
F14	240505801	SWITCH-LIGHT/LAMP
NI	241550701	GROMMET-SHELF MTG.,96`` LONG



FGUS2642LF0 SHELVES



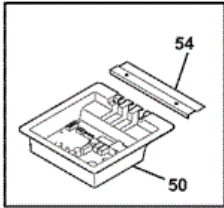
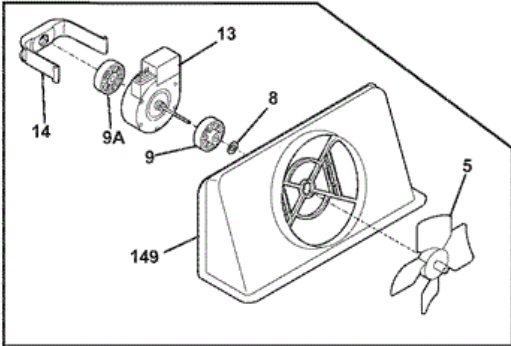
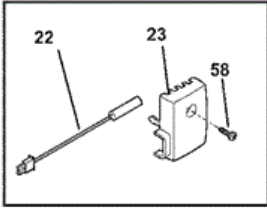
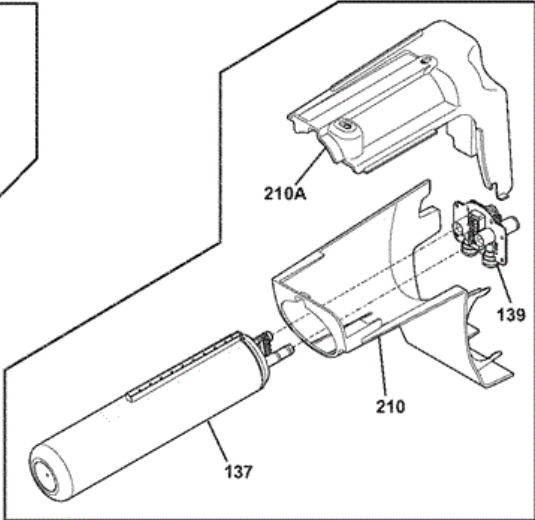
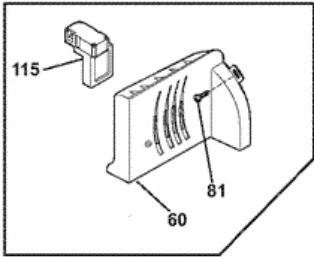


FGUS2642LF0 SHELVES

11	241657602	SHELF,FLIP UP ,WIRE
11B	241657504	SHELF,FIXED ,UPPER ,FREEZER
11C	240324101	SHELF-PIZZA
15	241552801	LIGHT BULB
16	241622802	SOCKET-LIGHT,FRZ LIGHT
21	5304455658	SCREW,HX WSHR HD SEMS ,8-15A X 0.625
24	240355256	SHELF-``SPILL-SAFE`` ,FIXED
24B	240350136	SHELF-``SPILL-SAFE`` ,CANTILEVER ,SLIDING
25	240599301	COVER-CRISPER PAN,UPPER
25A	240350903	COVER-CRISPER PAN,LOWER
26	240351061	PAN-CRISPER,UPPER
26A	240362201	CONTROL-HUMIDITY
27	240351240	PAN-CRISPER,LOWER
39	240430702	TRIM-SHELF,12.39`` ,FRONT
42	240356501	TRACK,MEAT PAN HANGER ,RH
42	240365401	TRACK,MEAT PAN HANGER ,LH
47	240350649	INSERT-PAN COVER,GLASS
47A	240350603	INSERT-PAN COVER,GLASS
49	240564401	BASKET-SLIDING
51	240343002	HANGER-BASKET,RH
52	240343102	HANGER-BASKET,LH
62	240342830	PAN-MEAT
81	5304455650	SCREW,HEX WASHER HEAD ,8-15A X 0.625
97	241532007	WATER TANK
100	240326304	COVER-WATER TANK
101	218493101	SCREW,HEX WASHER HEAD ,8-18AB X 1-3/4
107	241753601	SHIELD-LIGHT,UPPER
109	241513202	BASE-CRISPER LIGHT SOCKET
123	215005101	SCREW,HANGER/RLR MTG ,8-10 X 7/16
126	241674401	CHANNEL,AUGER MTG ,LH
126	241674402	CHANNEL,AUGER MTG ,RH
140	241812502	CHANNEL,WTR TUBE COVER
F108	241753701	HOUSING-LIGHT,UPPER ,FRESH FOOD

NI	240349801	CLIP-SLIDE,PAN-CRISPER
NI	240362101	CLIP-SLIDE,COVER-CRISPER
NI	240570304	TAPE,ALUMINUM ,3`` WIDE
NI	241595202	CLIP-SLIDE,PAN-CRISPER
NI	241987601	HARNESS-WIRING
NI	242028546	ENERGY GUIDE

FGUS2642LF0 CONTROLS

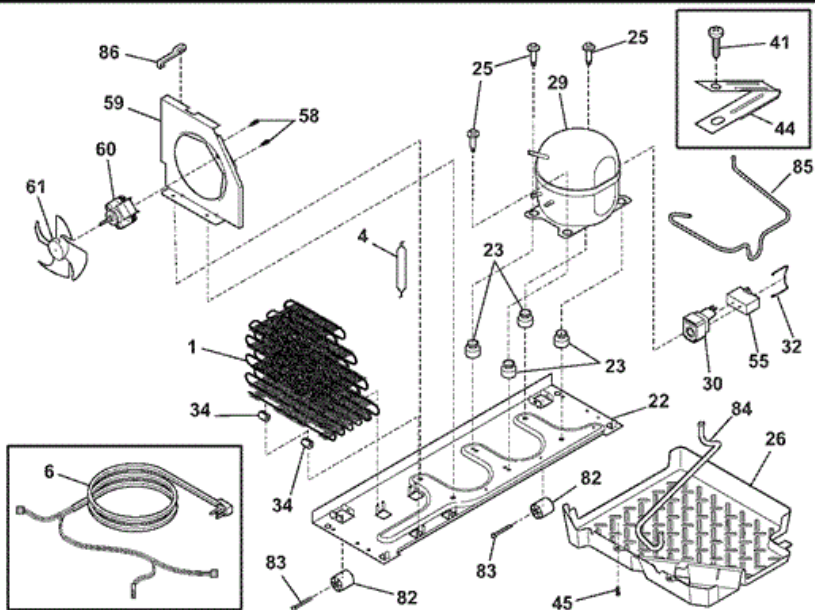
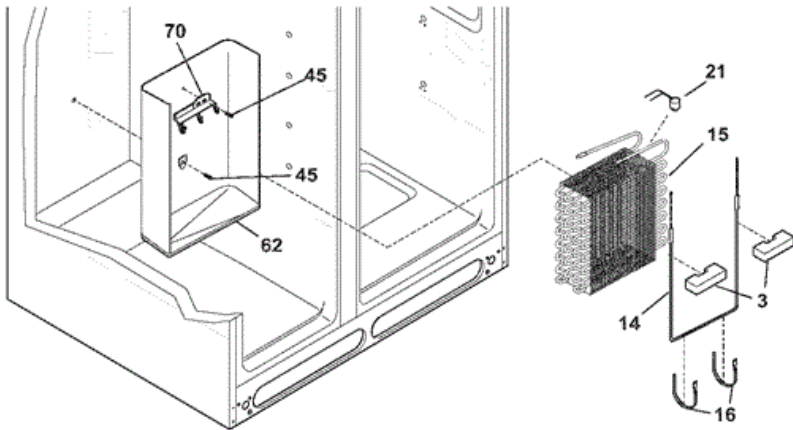




FGUS2642LF0 CONTROLS

8	215474201	WASHER,``SLINGER`` ,NYLON ,EVAP FAN SHAFT
9	241563601	BUSHING-MOTOR MTG
13	241509402	MOTOR,EVAPORATOR FAN
14	241517701	CLIP,EVAP FAN MOTOR
22	240597203	SENSOR
23	241845401	HOUSING-SENSOR
50	242009029	BOARD-MAIN POWER
54	241532401	CHANNEL
58	5304455650	SCREW,HEX WASHER HEAD ,8-15A X 0.625 ,LOW
60	241794301	DIFFUSER-AIR
81	5304455658	SCREW,HX WSHR HD SEMS ,8-15A X 0.625
115	241853801	DAMPER ASSY,W/SEAL
137	242069601	FILTER-WATER,CARBON
139	242009601	BASE-WATER FILTER
149	241563501	SHROUD-FAN ORFICE
210	241983803	HOUSING-WATER FILTR
9A	241845301	BUSHING-MOTOR MTG
F149	241528306	SEAL,SHROUD
F210	241998302	MOUNT-WATER FILTER
F5	5308000010	FAN BLADE,RED ,EVAPORATOR FAN
NI	241852501	CLIP,WIRING HARNESS
NI	241945101	INSULATION-AIR DUCT
NI	3205266	EDGE PROTECTOR, WIRING HARNESS

FGUS2642LF0 SYSTEM



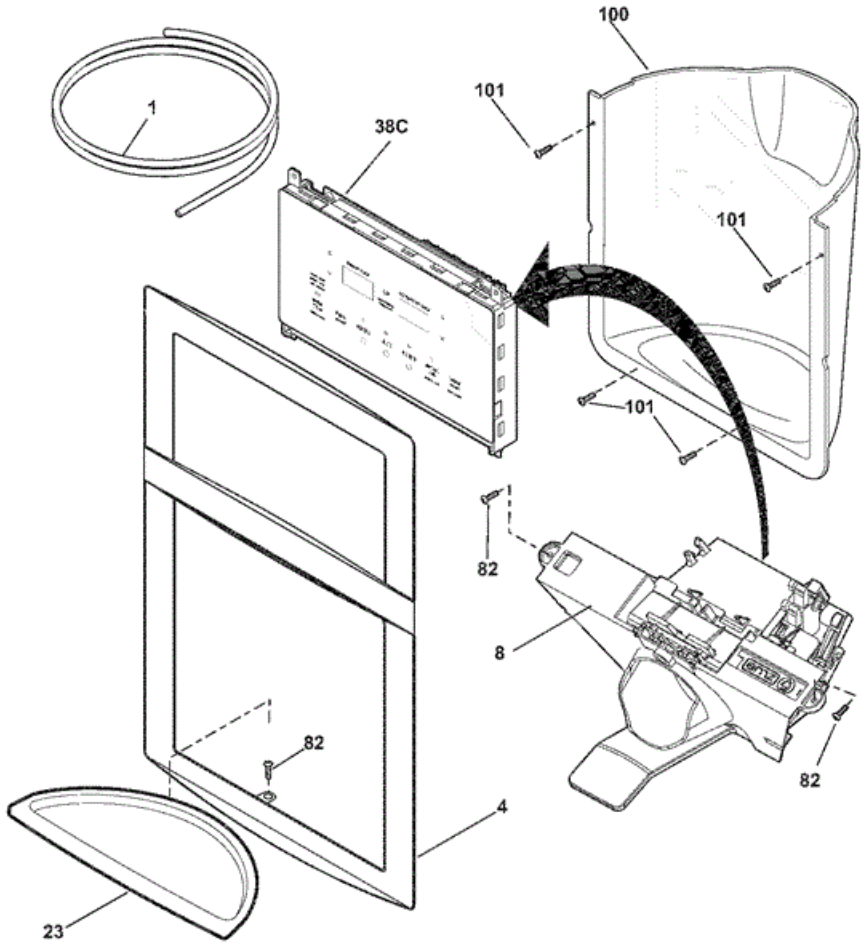


FGUS2642LF0 SYSTEM

1	242106601	CONDENSER
3	218679607	BLOCK-EVAP COIL,STYROFOAM ,(2)
16	5308000110	STRAP-EVAP/HEATER,ALUMINUM ,(2)
22	240330011	BASE-COMPRESSOR MTG
23	218513300	GROMMET-COMPR MTG,(4)
25	240491503	SCREW-COMPRESSOR MTG,1/4-28 X 1.16 ,(4)
26	241697602	PAN-DEFROST
32	241982601	CLAMP,ELEC CONT MTG ,COMPRESSOR
34	240405201	GROMMET,RUBBER ,BLACK ,COND TUBE/WIRE
41	240555002	SCREW-NO.8-32 X 3/8
44	215174700	CLAMP-SERVICE CORD, STRAIN RELIEF, GALV STEEL
45	5304455650	SCREW,HEX WASHER HEAD ,8-15A X 0.625 ,LOW
55	218909913	CAPACITOR-RUN,220 VAC ,15 MICROFARAD
58	240569201	SCREW,8-18 X 0.500
59	241946106	SHROUD-COND FAN
61	241639501	BLADE-CONDENSER FAN
62	240429405	TROUGH-DRAIN
70	218990801	BRACKET-EVAP/CVR MTG
82	5304418225	ROLLER,COMPRESSOR BASE ,REAR ,(2)
83	5304455655	RIVET,FLAT HEAD ,1/4 OD X 1-3/4 ,ROLLER PIN
84	241957901	TUBE-DRAIN,LOWER
85	241856903	TUBE-CONNECTOR,SUCTION
86	240409302	SPACER-COND TUBE,BLACK
F14	242044113	HEATER-DEFROST
F15	5303918480	EVAPORATOR KIT
F21	5303918214	THERMOSTAT-DEFROST,KIT
F29	240550922	COMPRESSOR,W/O ELECTRICALS
F30	241941003	STARTER
F4	242047601	DRIER-FILTER
F6	241516901	CORD-SERVICE
F60	241584301	MOTOR-CONDENSER FAN
FNI	241519902	HARNESS-WIRING
FNI	5303918327	HEAT EXCHANGER KIT,SUCTION LINE

NI	218252201	SCREW,NO.8 TRUSS HD ,10-32CA X 0.500
NI	240346701	TAPE-FOAM SEAL,SHROUD
NI	240359403	SCREW-FAN SHROUD,(2)
NI	241812301	WASHER-COMPR MTG
NI	241852501	CLIP,WIRING HARNESS
NI	242008702	HARNESS-WIRING,MACHINE COMPT
NI	5303918222	HOT TUBE REPAIR KIT,SERVICE

**FGUS2642LF0 ICE & WATER
DISPENSER**





FGUS2642LF0 ICE & WATER DISPENSER

1	218976409	TUBE-WATER-DOOR
4	242089603	COVER-MODULE,GRAY
8	242074205	MODULE-DISPENSER
23	242092404	DRIP TRAY,GRAY
82	240363403	SCREW,8-18 X 0.500 ,2
100	241753304	LINER-SUMP,GRAY
F38C	242114902	BOARD-CONTROL
NI	218976419	TUBE-WATER INLET,VALVE TO DOOR
NI	218976429	TUBE-WATER INLET,97.50`` ,BROWN/TAN
NI	218976915	TUBE-WATER INLET,INLET VALVE ,TO I/M INLET
NI	240561701	SEAL-WATER INLET,INLET VALVE ,TO ICE MAKER
NI	5303918371	DISPENSER HEATER KIT,115



FGUS2642LF0 ICE CONTAINER

2	241716101	AUGER-ICE
3	241685201	CAM-DRIVE
4	241734001	CONTAINER-ICE,BUCKET ONLY
6	241685101	DRUM-ICE DISP
7	241734202	FRONT-ICE CONTAINER
10	241726501	BAR-DRIVE
13	241685301	GATE
15	241555401	LIGHT BULB
16	241559801	SOCKET-LIGHT
17	241684501	DRIVE BLADE
18	241676201	MOTOR-AUGER
20	241734902	COVER,MOTOR
22	240597203	SENSOR
23	241684001	PLATE-FRONT
25	241690701	SCREW,HEX WASHER HEAD ,8-32T X 0.375
26	215503205	SCREW,CR PAN HD ,10-16 X 0.500
33	241684801	SPACER
34	241689801	SPACER
35A	241684301	FIXED BLADE,ROUND
35B	241684201	FIXED BLADE,SQUARE
37A	241684101	BLADE,CRUSHER NO.1
37B	241684102	BLADE,CRUSHER NO.2
37C	241684103	BLADE,CRUSHER NO.3
39	241690501	SCREW
41	241685601	HOUSING-CRUSHER
43	218359202	SCREW,PAN HEAD ,8-32 X 0.250
44	241842101	SCREW,8-32 X 1/4
45A	241675901	SPRING-SOLENOID
45B	241676001	E-RING-SOLENOID
45C	241676101	ACTUATOR-SOLENOID
46	241716002	CONTROL ROD
47	241731801	SPRING-CONTROL ROD
48	241684602	BRACKET-CONTROL ROD

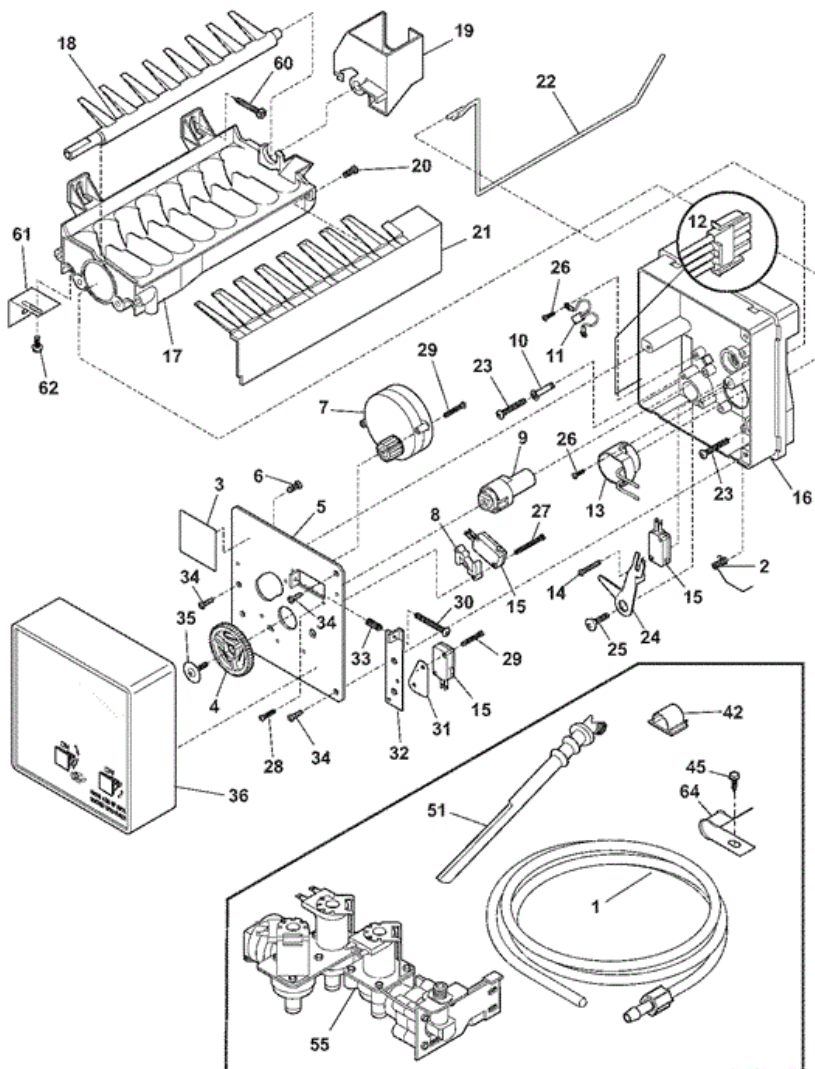
49	241734501	RAIL ASSY
50		GUIDE-SOLENOID
51	241676301	ROTATION STOP
52	241684901	SPACER-FIXED BLADES
53	241690402	PIN-SPIRAL, FIXED BLADES
54	241685001	NUT-AUGER
55	241690306	WASHER
56	241690201	E-RING
57	241734101	DOOR-ACCESS
F45	241675701	SOLENOID ASSY, 115V
F45D	241675801	SOLENOID, 115V
NI	240507202	DEFLECTOR-ICE CONTAINER
NI	241519401	CLIP, SENSOR
NI	241522901	HARNESS-WIRING, ICMKR/CONTAINER
NI	241860812	ICE CONTAINER ASSY, W/MOVING PARTS

Distribuidor Autorizado

SurteRápido.com

Venta de Refacciones
Electrodomesticas

FGUS2642LF0 ICE MAKER





FGUS2642LF0 ICE MAKER

1	218976409	TUBE-WATER-DOOR
2	5304456650	SPRING-SHUTOFF ARM,ICE MAKER
3	5304456657	NAMEPLATE
4	5304456658	GEAR
5	5304456659	PLATE-MOUNTING
6	5304456691	SCREW,M 3X20 NO.3 ,VALVE PLATE
8	5304456661	SPACER-HOLD SWITCH
9	5304456662	CAM
10	5304456689	WASHER,NYLON
12	5304456664	HARNESS-WIRING
13	5304456665	THERMOSTAT,ICE MAKER
14	5304455676	SCREW,PLASK ,4X14X3/4
16	5304456668	SUPPORT
17	5304456669	
36	5304456685	COVER-ICE MAKER
42	218515403	CLIP-GRILLE
45	5304455650	SCREW,HEX WASHER HEAD ,8-15A X 0.625
51	241796401	TUBE-WATER FILL,EXTENSION
60	5303207328	SCREW,HEX WASHER HEAD ,8-15A X 1.000 ,(2)
61	5304456686	BRACKET-LEVELING,ICE MAKER
62	5304456687	SCREW-IM BRKT MTG,PAN HD PHILLIPS ,8-32T
64	5303001549	CLAMP,0.31 ID ,STEEL ,COPPER WTR LINE
F11	5304456663	THERMAL CUTOFF,ICE MAKER ,COMPLETE ASSY
F15	5304456667	SWITCH-MICRO,(3)
	241734301	VALVE-WATER,TRIPLE SOLENOID
F7	5304445222	MOTOR-ICE MAKER SVO
NI	218709101	SCREW,HEX HEAD ,10-32 X 0.500
NI	218976419	TUBE-WATER INLET,VALVE TO DOOR
NI	218976429	TUBE-WATER INLET,97.50`` ,BROWN/TAN
NI	218976915	TUBE-WATER INLET,INLET VALVE ,TO I/M INLET
NI	240363602	SCREW-SHOULDER
NI	240542901	CAP-WATER VALVE
NI	240561701	SEAL-WATER INLET,INLET VALVE ,TO ICE MAKER

NI	241522901	HARNESS-WIRING,ICMKR/CONTAINER
NI	241642501	ICE MAKER,RADIUS CUBE ,115 V ,SVCE
NI	242103001	CONNECTOR-WATER,STRAIGHT
NI	5304445223	SPRING BEAM
NI	5304456666	SCREW,M 3X20 NO.2 ,(6)
NI	5304456688	TERMINAL
NI	5304456690	LABEL,ID PLATE
NI	5304456692	WASHER
NI	5304456693	NUT,M 3.5
NI	5304456737	WASHER