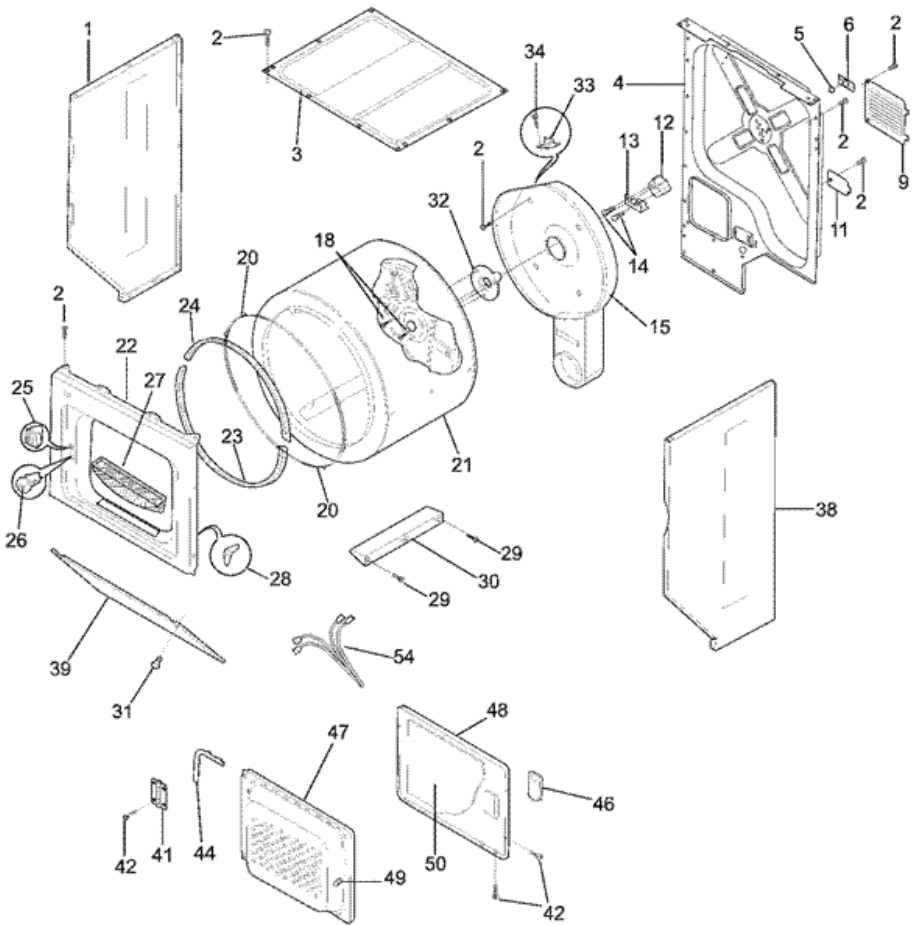


**FGX831CS1 TAMBOR**





## FGX831CS1 TAMBOR

1	131084710	PANEL,WHITE ,LEFT SIDE
2	131168200	SCREW,PAN HEAD ,8-18B X 0.31
3	131883301	PANEL,TOP
4	131752302	PANEL,REAR ,STEEL ,GALVANIZED
5	5303281019	BALL
6	5303281020	CLIP,BALL ,STEEL ,FLAT NUT
9	3204249	PANEL,MOTOR ACCESS ,REAR
11	5303207395	COVER-TERMINAL BLOCK
12	131825900	BEARING-DRUM SUPPORT
13	131724300	BRACKET,BEARING SUPPORT
14	131205400	SCREW,BRACKET MTG. ,10-16B X 1.375 ,CR/SQ DRIVE
15	5303207394	HOUSING,HEATER ,W/DUCT & SEAL
18	131477000	SCREW,10-16AB X 0.375
20	131963900	GLIDE-DRUM
21	134122532	DRUM,DRYER ,GALVANIZED STL. ,SERVICE KIT
22	134031600	PANEL,FRONT ,WHITE ,SVCE KIT W/PLUG
23	134134700	SEAL,FELT ,LOWER
24	134036400	SEAL,FELT ,UPPER
25	131658800	DOOR CATCH
27	131359600	LINT TRAP
28	5303281074	CLIP-GUIDE ,(3)
29	131382300	SCREW,QUADREX HEAD ,10-14 X 1.00 ,
30	5303201200	VANE,STRAIGHT
31	131202300	SCREW,PPH ,10-16AB X 0.625
32	131777700	SHAFT,DRUM SUPPORT ,BALLHITCH
34	131243800	SCREW,PAN HD LOCKING ,8-32CA X 0.375 ,CUP POINT
38	131084800	PANEL-RIGHT SIDE-WHITE
39	131084402	PANEL,ACCESS ,WHITE ,FRONT
41	134222900	HINGE,DRYER DOOR
42	131209600	SCREW, FLAT HEAD, 8-18AB X 0.44, CR/SQ DRIVE
44	131129900	GASKET,DOOR SEAL
46	131789400	HANDLE-DOOR, WHITE
47	131579103	PANEL,INNER DOOR ,WHITE

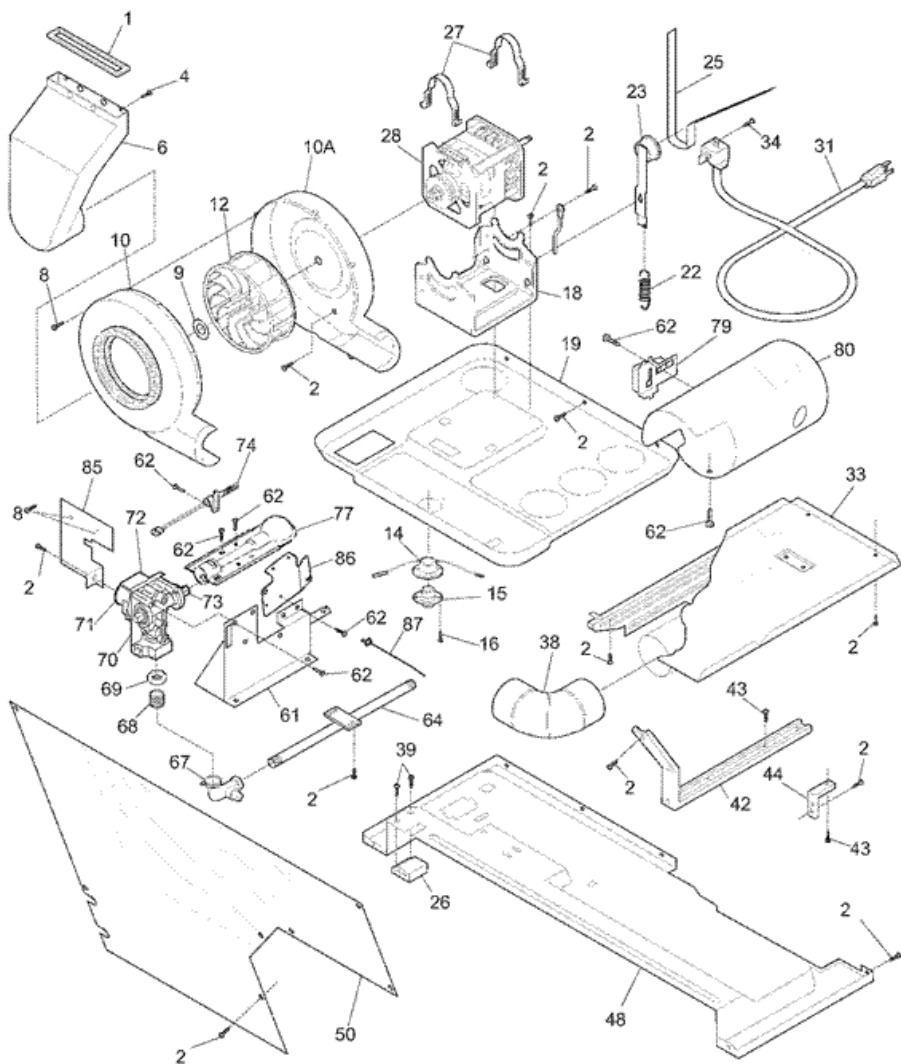
48	131789303	PANEL, OUTER DOOR , WHITE
49	5303211430	DOOR STRIKE
50	3204286	INSULATOR, HEAT SHIELD , OUTER DOOR
F26	5308001614	SWITCH, DOOR , W/O DRUM LIGHT
F33	5304406099	THERMOSTAT-SAFETY
F54	131498900	WIRING HARNESS, DOOR SWITCH , W/O LIGHT
NI	131870700	PLUG-LIGHT HOLE

Distribuidor Autorizado

SurteRápido.com

Venta de Refacciones  
Electrodomesticas

## FGX831CS1 MOTOR / TURBINA



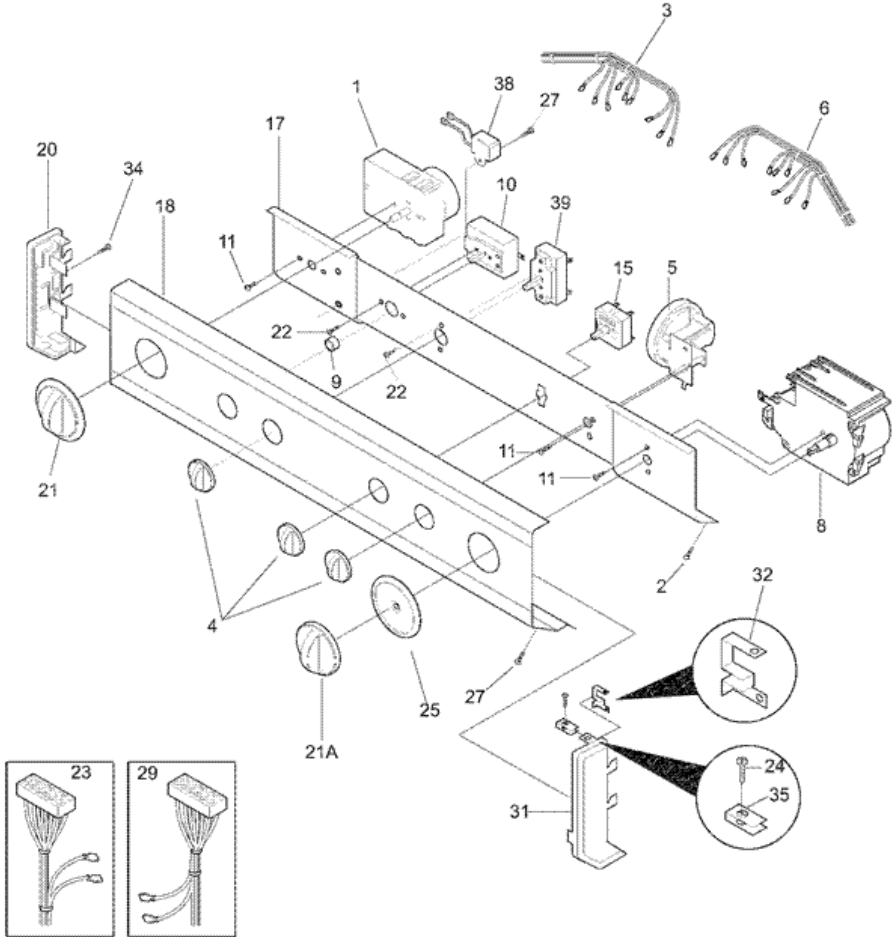


## FGX831CS1 MOTOR / TURBINA

1	131295200	SEAL-AIR DUCT
2	131168200	SCREW,PAN HEAD ,8-18B X 0.31
4	131362400	FASTENER,PUSH-IN
6	134086300	DUCT,AIR
8	3205245	SCREW,PAN HEAD ,6-18AB X 0.60
9	5303304824	CLAMP
10	131784500	HOUSING,BLOWER ,FRONT ,WITH SEAL
10A	134145100	HOUSING,BLOWER ,REAR
12	131476300	BLOWER WHEEL
16	131311900	SCREW,QUADREX PH ,8-18AB X 0.500
18	131413600	CRADLE,MOTOR MOUNT ,WITH IDLER STUD
19	131363901	PANEL,MOTOR CRADLE MT
22	3205241	SPRING-IDLER
23	131863100	IDLER ARM ASSY ,WITH PULLEY
26	5303212870	BLOCK,SUPPORT ,BOTTOM PANEL
27	134242400	CLAMP,MOTOR MTG.
33	131731410	SHIELD,ACCESS AREA ,COVER
34	134154100	SCREW,HEX WASHER HEAD ,10-32 X 0.375 ,GROUND
38	3204320	ELBOW ,EXHAUST DUCT
39	131205100	SCREW,NO.8 PAN HEAD ,10-10B X 0.500 ,CR/SQ DRIVE
42	5304439185	BRACKET,MARRIAGE ,INTERIOR
43	131751500	SCREW,HEX HEAD ,12-24T 0.63
44	3204326	BRACKET,L MOUNTING ,CABINET REAR ,EXTERNAL
48	131731310	PANEL,DRYER ,BOTTOM REAR
50	3204329	COVER,SAFETY ,LOWER FRONT
61	5303309493	BRACKET,GAS VALVE MTG
62	131243700	SCREW, PAN HEAD, 8-18AB X 0.375, CR/SQ DRIVE
64	134145200	PIPE,GAS
70	5303207409	VALVE GAS
71	5300622602	SOLENOID,SECONDARY COIL
72	5308015680	SOLENOID,BOOSTER COIL
73	5303211036	ORIFICE,NATURAL GAS ,SIZE 44
85	134287300	SHIELD,HEAT

86	134264800	PLATE,ADAPTER
87	131964400	CABLE TIE,PUSH MOUNT ,5.20 INCH
F14	131658101	THERMOSTAT-HEATER
F15	131322600	THERMOSTAT CONTROL
F25	134163500	BELT,DRYER DRIVE
F28	134196600	MOTOR,DRYER DRIVE ,WITH PULLEY
F31	134099900	POWER CORD,ELECTRIC SVCE
F67	131498500	VALVE,GAS SHUTOFF
F68	134185100	TAIL PIECE,COUPLING
F69	5308015194	UNION,HEX NUT
F74	134393700	IGNITER ASSY
F77	134197700	BURNER,GAS
F79	5303281135	SENSOR,RADIANT
F80	131712401	TUBE-BURNER
NI	134101400	TERMINAL BLOCK,MAIN
NI	134391000	LP CONVERSION KIT,NATURAL TO LP

**FGX831CS1 TABLERO**



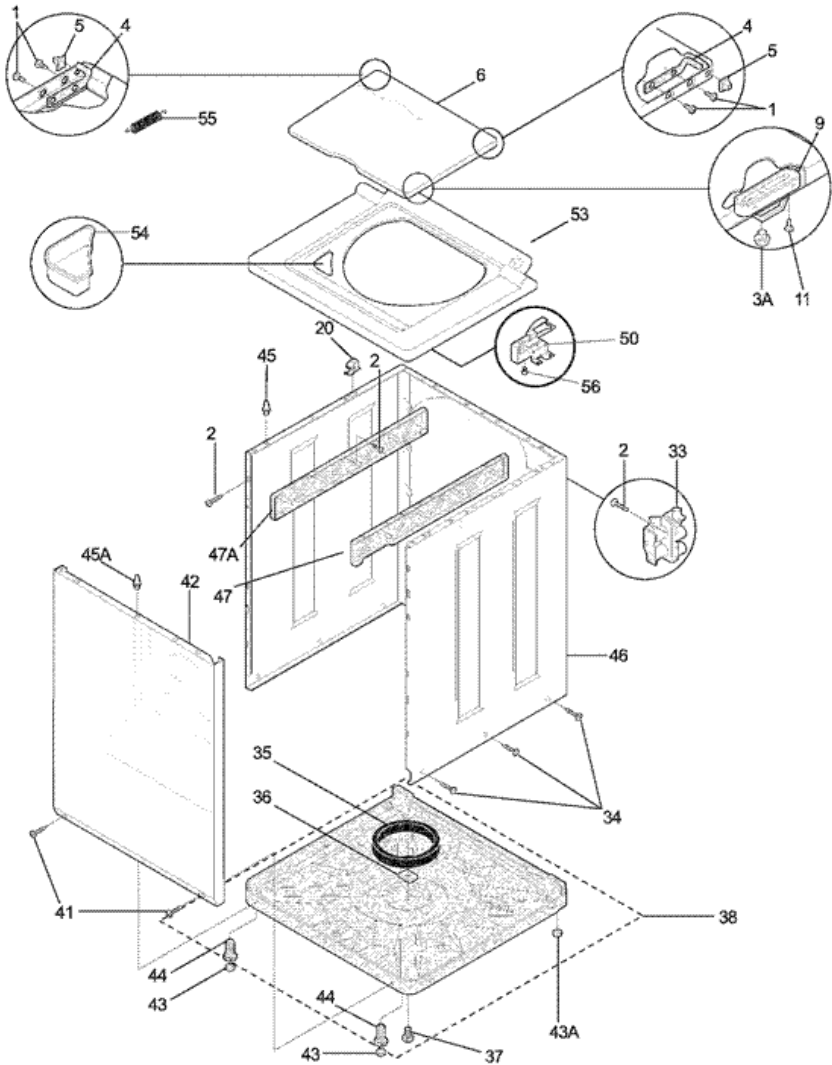


## FGX831CS1 TABLERO

2	131168200	SCREW,PAN HEAD ,8-18B X 0.31
4	131873404	KNOB,ROTARY ,WHITE/DK GRAY
5	131692100	SWITCH,PRESSURE ,3 POSITION ,1/2 HP
9	131111501	BUTTON,START SWITCH ,WHITE ,PUSH TYPE
11	5303283289	SCREW,CR PAN HEAD `8-32 X 0.250
17	131983410	BRACKET-CONTROL MTG
18	134310300	PANEL,TRIMPLATE ,CONSOLE FRONT
20	131288101	END CAP,WHITE ,LH
21	131873304	KNOB,DRYER TIMER ,WHITE
21A	131977201	KNOB,WASHER TIMER ,WHITE
22	131311700	SCREW,PAN HEAD QUAD ,8-32 X 0.15
24	131209600	SCREW, FLAT HEAD, 8-18AB X 0.44, CR/SQ DRIVE
25	131976804	INDICATOR,TIMER POINTER
27	131892100	SCREW,6-20B X 0.230
31	131288211	END CAP, WHITE, RH
32	3204357	CLIP-GROUNDING
34	131243700	SCREW, PAN HEAD, 8-18AB X 0.375, CR/SQ DRIVE
35	5308014350	CLIP,END CAP MTG ,U-TYPE
F1	5303297139	TIMER-DRYER
F10	131628900	SWITCH-PUSH START
F15	131620800	SWITCH,TEMP SELECTOR ,3 POSN ROTARY
F23	131848700	WIRING HARNESS,MAIN
F29	134113400	WIRING HARNESS,WASHER ,LOWER
F3	134066100	WIRING HARNESS,DRYER CONTROL
F38	5303286537	BUZZER
F39	134045300	SWITCH,DRYER TEMP ,2 POSN ROTARY
F6	134122200	WIRING HARNESS,WASHER CONTROL
F8	131758600	TIMER-WASHER
NI	131209800	CLAMP,HOSE ,PRESSURE SWITCH
NI	134101400	TERMINAL BLOCK,MAIN
NI	134355800	ENERGY GUIDE
NI	5303161300	STRAP,PLASTIC



**FGX831CS1 GABINETE**





## FGX831CS1 GABINETE

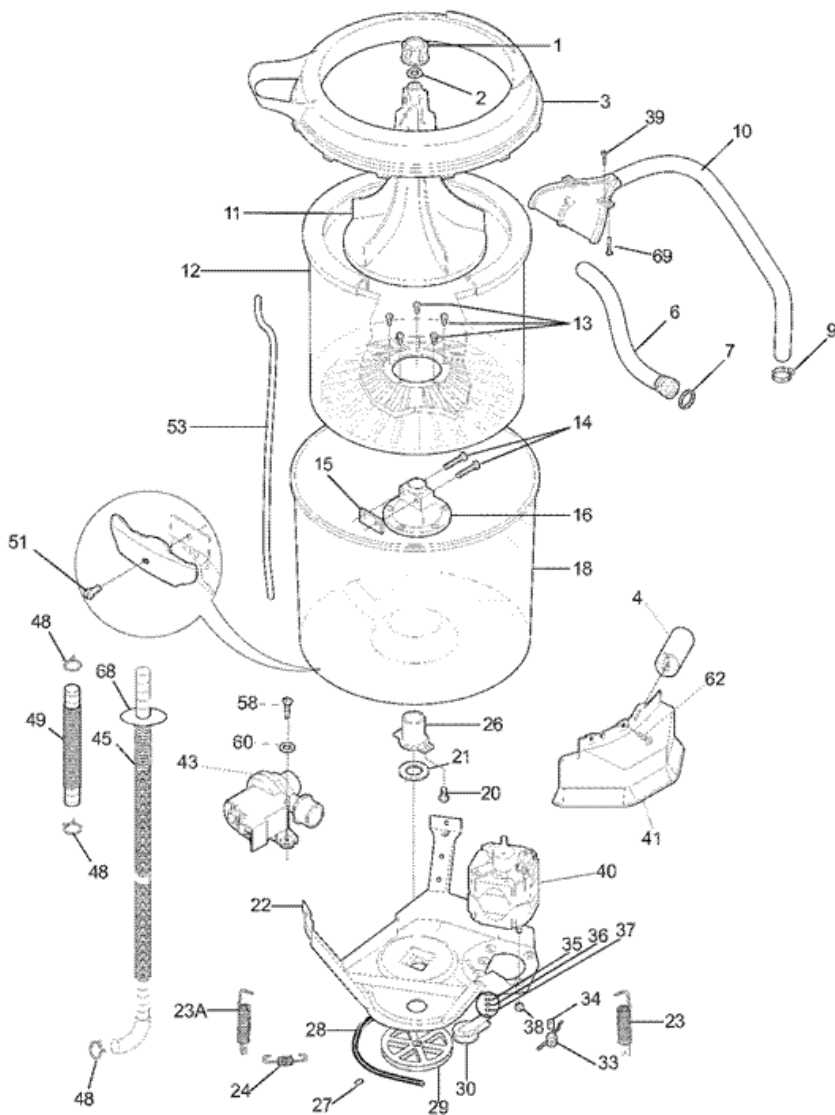
1	134203900	SCREW,PAN HD PHILLIPS ,6-32 X 0.337 ,DOG POINT
2	131168200	SCREW,PAN HEAD ,8-18B X 0.31
4	3205250	HINGE BAR
5	5303208743	GROMMET,HINGE
6	5303212872	LID,WASHER ,WHITE
9	131390000	LID STRIKE
11	3204368	SCREW,LID STRIKE MTG ,6-20B X 0.375
20	3204374	PIN,SLIDE ,SIDE TO TOP
34	131205500	SCREW,CAB BODY ,1/4-14 X 0.625 ,SIDE-TO-BASE
35	5308002385	SNUBBER RING
36	3204380	SHIPPING BLOCK
37	131658900	SCREW,SHIPPING ,1/4-20 X 1.001 ,YELLOW
38	5303311213	BASE ASSEMBLY
3A	134075500	BUMPER,LID ,FRONT
41	131258400	SCREW,10-16AB X 0.500
42	131104303	PANEL - FRONT - WHITE
43	131422100	PAD,LEVELING LEG ,FRONT
43A	131422200	PAD,SELF LVLG LEG ,REAR
44	5303309673	SCREW,LEVELING LEG ,WITH PAD
45	131346400	PIN,PANEL LOCATOR ,SIDE
45A	131346401	PIN,PANEL LOCATOR ,FRONT
46	134046600	CABINET ASSY,WHITE ,BACK AND SIDES
47	131106701	BRACKET-MARRIAGE-RH
47A	131091001	BRACKET-MARRIAGE-LH
53	131452510	PANEL,WASHER TOP ,WHITE
54	3204394	DISPENSER-BLEACH
55	5303212876	SPRING,LID ASSIST
56	131243700	SCREW, PAN HEAD, 8-18AB X 0.375, CR/SQ DRIVE
F33	134211400	VALVE,WATER ,115 V
F50	134101800	LOCK,LID ,W/EXT SWITCH

Distribuidor Autorizado

SurteRápido.com

Venta de Refacciones  
Electrodomesticas

FGX831CS1 TINAS



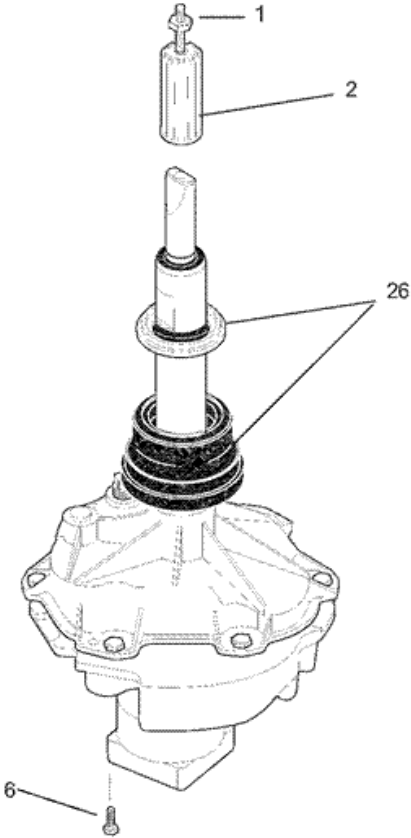
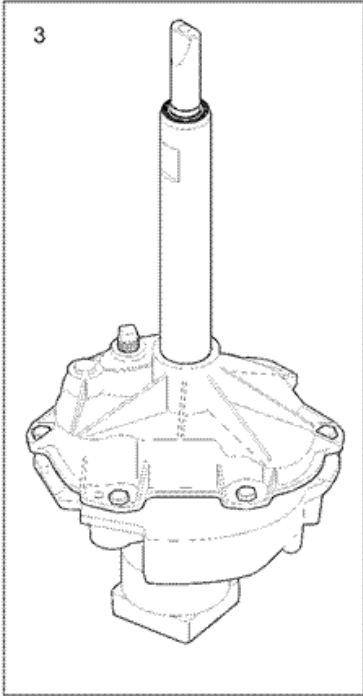


## FGX831CS1 TINAS

1	131206800	STUD-AGITATOR CAP
2	3204396	SEAL-AGITATOR CAP
3	131398303	COVER,SPLASH TUB ,WITH SEAL
6	131454100	HOSE,WATER INLET ,4 FT. ,HOSE & WASHER
7	5303161296	WASHER-INLET HOSE
9	5303304824	CLAMP
10	131726300	HOSE ASSY,W/NOZZLE,CLAMP
12	131090400	TUB,SPIN ,W/LINT FILTER
13	5303283293	SCREW,TRUNION ,5/16-18 X 0.625 ,(5)
14	131192800	SCREW,LOCKPLATE ,5/16-18 X 1.625
15	5308001923	PLATE,LOCK
16	131545101	TRUNNION
18	131557201	TUB,SPLASH ,W/AIR DOME,BRG
20	3205150	SCREW,TUB BEARING ,8-12B X 0.750
21	5308002401	WASHER, SPIN BEARING, UPPER
22	131373610	LEG & DOME ASSY
23	5303208858	SPRING-VERTICAL (SHORT)
23A	5303208860	SPRING-VERTICAL
24	131373900	SPRING-HORIZONTAL
27	5303304825	SCREW,SET,HEX HD CUP ,5/16-18 X 0.85
33	3204425	SPRING,TORSIONAL
34	3204426	SLEEVE-IDLER PIVOT
35	3161433	RING-RETAINING
36	5303261031	WASHER-PIVOT SHAFT
37	5303161306	WASHER,SPRING TYPE
38	5303318708	NUT,HEX FLANGE ,MOTOR MOUNTING
39	131205100	SCREW,NO.8 PAN HEAD ,10-10B X 0.500 ,CR/SQ DRIVE
41	131513300	SHIELD,MOTOR ASSY ,W/SPEED NUTS
45	134049200	HOSE-DRAIN
48	131306234	CLAMP,PUMP TO TRAP
51	131659000	SCREW,LEG,HEX WSHR HD ,5/16-18 X 0.875 ,TYPE 23
53	5304401845	TUBE,PRESSURE ,VINYL
58	134160900	SCREW,QUADREX ,10-16AB X 0.750

60	131304300	WASHER,0.21 X 0.71 ,0.06 THICK
62	131258400	SCREW,10-16AB X 0.500
68	131707800	RING-DRAIN HOSE
69	131731500	FASTENER-RATCHET
F11	5304405894	AGITATOR,STANDARD ,SLIM
F26	3204405	BEARING-OUTER TUB
F28	134161100	V-BELT,WASHER DRIVE ,STANDARD 4L
F29	131498301	PULLEY,XMSN DRIVE
F30	131862900	IDLER ARM ASSY,VAW ,WITH PULLEY
F4	131212301	CAPACITOR,MOTOR
F40	134156400	MOTOR,WASHER DRIVE ,WITH PULLEY
F43	134051200	PUMP,DRAIN
F49	131494800	HOSE-PUMP TO TUB
NI	131453000	BUSHING,SNAP-IN ,DRAIN HOSE
NI	131462500	CLIP,DRAIN HOSE ,BASE
NI	131506500	CLIP,DRAIN HOSE ,BACK SHEET ,(2)
NI	131663500	CUSHION,DRAIN HOSE ,BASE
NI	131901400	Å SEAL,SPLASH COVER
NI	5303212877	INSERT,SPRING ADJUSTER ,VERTICAL
NI	5303309503	CLIP,DRAIN HOSE ,BACK SHEET

**FGX831CS1 TRANSMISION**





## FGX831CS1 TRANSMISION

1	131206800	STUD-AGITATOR CAP
2	5303306139	HUB-DRIVE, AGITATOR
6	134197900	SCREW,HEX WASHER HEAD ,1/4-20 X 0.437
F26	5303279394	SEAL ASSY,TUB ,TRANSMISSION
F3	131878400	TRANSMISSION ASSY,H-HELICAL GEAR