

Distribuidor Autorizado

SurteRápido.com

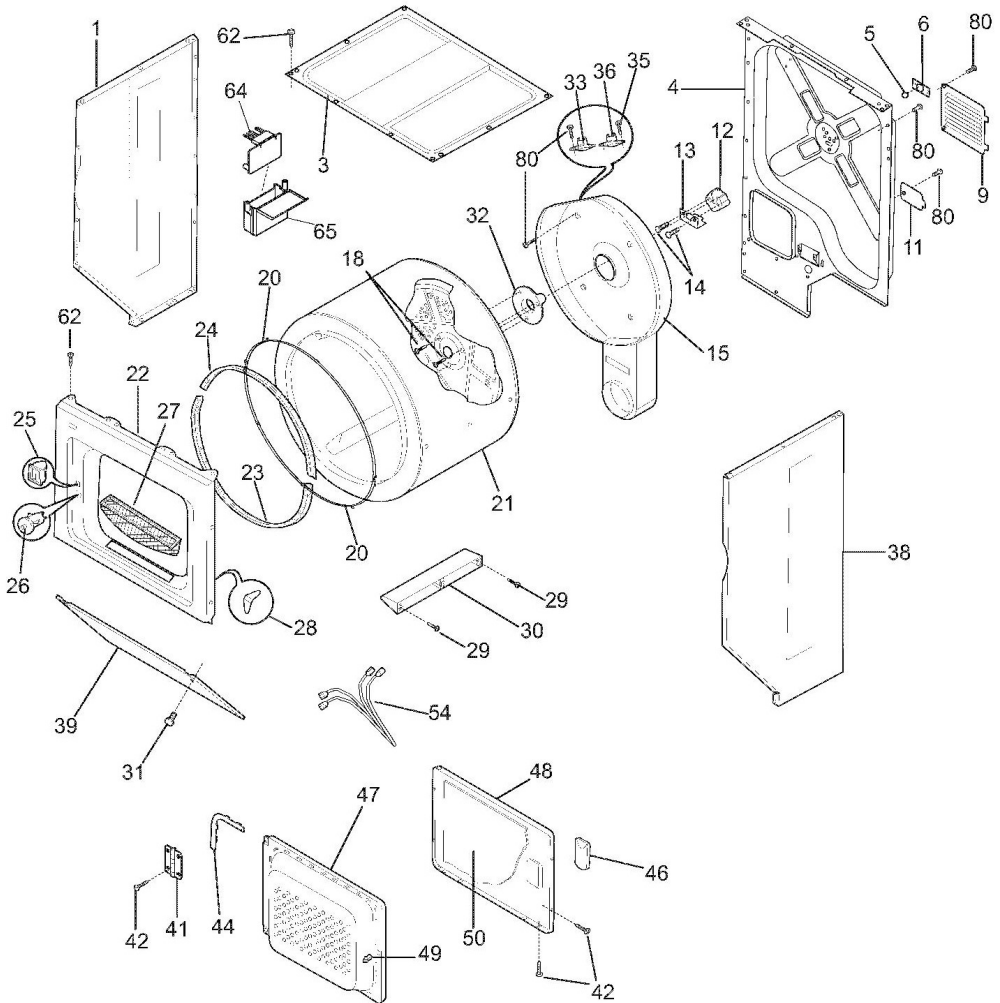
Venta de Refacciones  
Electrodomesticas

C.L. Frigidaire FGX831FS3

Publication No: 5995525846

FGX831FS3

UPPER CABINET/DRUM HEATER



Distribuidor Autorizado

**SurteRápido.com**

Venta de Refacciones  
Electrodomesticas



C.L. Frigidaire FGX831FS3

<b>No.Illus.</b>	<b>DESCRIPCIÓN</b>	<b>No. de Parte</b>
<b>NI</b>	PLUG-LIGHT HOLE	131870700
<b>NI</b>	Wiring Harness,ATC jumper	134805600
<b>NI</b>	Jumper-wire	137061900
<b>1</b>	Panel,white ,left side	131084710
<b>3</b>	Panel,top	131883301
<b>4</b>	Panel,rear ,steel ,galvanized	134799902
<b>5</b>	Ball,grounding	5303281019
<b>6</b>	Clip,ball ,steel ,flat nut	5303281020
<b>9</b>	Panel,motor access ,rear	3204249
<b>11</b>	COVER-TERMINAL BLOCK	5303207395
<b>12</b>	BEARING-DRUM SUPPORT	131825900
<b>13</b>	Bracket,bearing support	131724300
<b>14</b>	Screw,bracket mtg. ,10-16B x 1.375	131205400
<b>15</b>	Housing,gas heater assy ,w/seal	137137200
<b>18</b>	Screw,10-16AB x 0.375	131477000
<b>20</b>	GLIDE-DRUM	131963900
<b>21</b>	Drum,dryer ,galvanized stl. ,service kit	134122532
<b>22</b>	Panel,front ,white	131636237
<b>23</b>	Seal,felt ,lower	134134700
<b>24</b>	Seal,felt ,upper	134036400
<b>25</b>	Door Catch,upper	131658800
<b>26</b>	Switch,door	131843100
<b>27</b>	Lint Trap	131359600
<b>28</b>	Clip,guide	134440000
<b>29</b>	Screw,quadrex head ,10-14 x 1.00	131382300
<b>30</b>	Vane,straight	5303201200
<b>31</b>	Screw,10-16AB x 0.625	131202300

Distribuidor Autorizado

**SurteRápido.com**

Venta de Refacciones  
Electrodomesticas

C.L. Frigidaire FGX831FS3

<b><u>No. Ilus.</u></b>	<b><u>DESCRIPCIÓN</u></b>	<b><u>No. de Parte</u></b>
32	Shaft, drum support ,ballhitch	137088600
33	THERMOSTAT-SAFETY	5304406099
35	Screw,6-20B x 0.230	131892100
36	THERMAL LIMITER	134120900
38	Panel,white ,right side	131084810
39	Panel,access ,white ,front	131084402
41	HINGE, DRYER DOOR	134222900
42	Screw,flat head ,8-18AB x 0.44	134156200
44	Gasket,door seal	131129900
46	HANDLE-DOOR, WHITE	131789400
47	Panel,inner door ,white	131579103
48	Panel,outer door ,white	131789303
49	DOOR STRIKE	5303211430
50	Insulator,heat shield ,outer door	134535300
54	Wiring Harness,door switch	134846300
62	Screw,10-16AB x 0.500	131258400
64	Control Board,temperature ,ATC	131891010
65	Housing,temp cont board	131894600
80	Screw,10-16AB x 0.375	134547800

Distribuidor Autorizado

SurteRápido.com

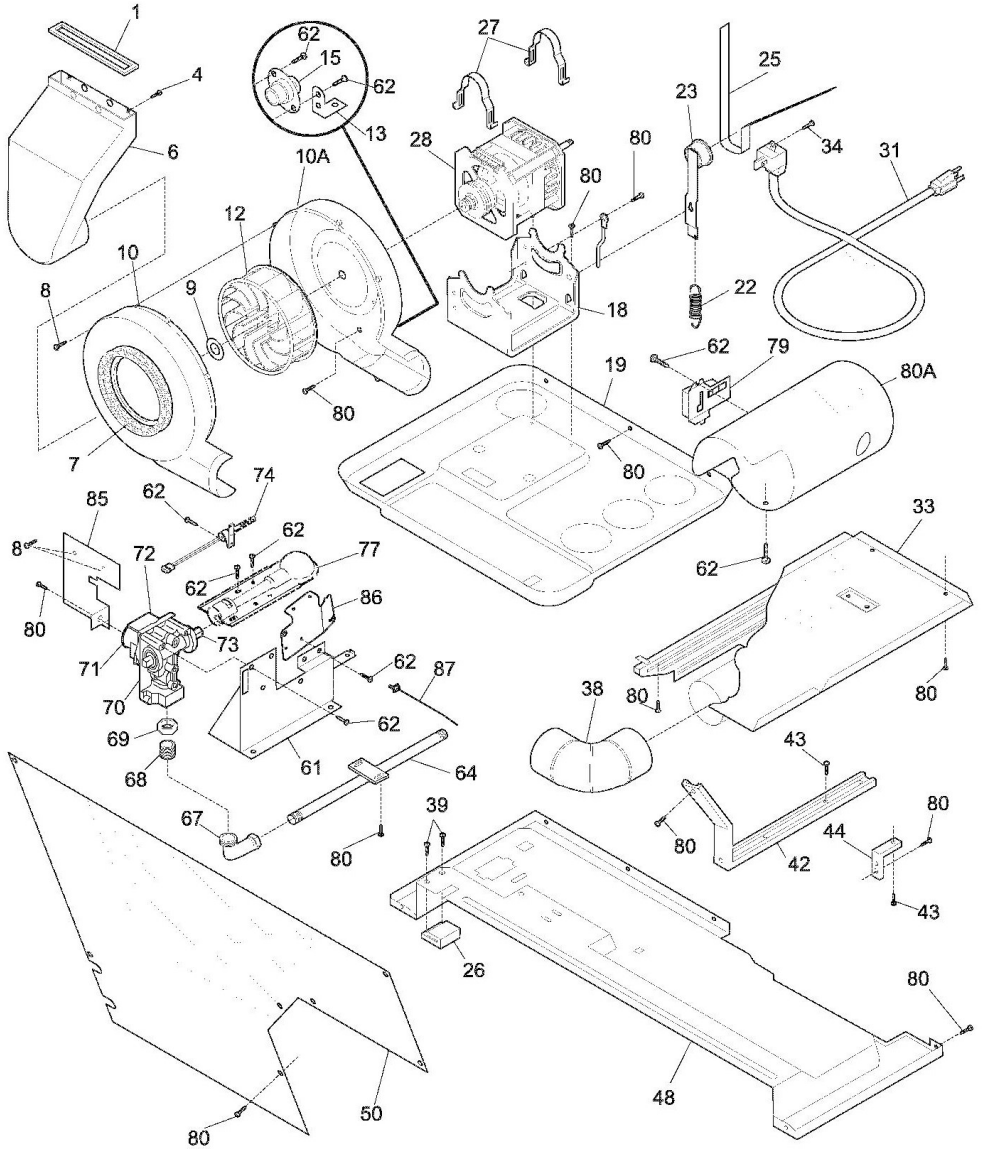
Venta de Refacciones  
Electrodomesticas

C.L. Frigidaire FGX831FS3

Publication No: 5995525846

FGX831FS3

MOTOR/BLOWER/BELT



Distribuidor Autorizado



Venta de Refacciones  
Electrodomesticas

C.L. Frigidaire FGX831FS3

<b>No.Illus.</b>	<b>DESCRIPCIÓN</b>	<b>No. de Parte</b>
<b>NI</b>	LP Conversion Kit,natural to LP	134391000
<b>1</b>	SEAL-AIR DUCT	131295200
<b>4</b>	Fastener,push-in	131362400
<b>6</b>	Duct,air	134086300
<b>7</b>	SEAL-HOUSING TO AIR DUCT	3204490
<b>8</b>	Screw,pan head ,6-18AB x 0.60	3205245
<b>9</b>	CLAMP	5303304824
<b>10</b>	Housing,blower ,front ,with seal	134611700
<b>10A</b>	Housing,blower ,rear	134608200
<b>12</b>	Blower Wheel	131476300
<b>13</b>	Ground Strap,thermostat	134608400
<b>15</b>	Thermostat,temp control	134721400
<b>18</b>	Cradle,motor mount ,with idler stud	131413600
<b>19</b>	Panel,motor cradle mt ,upper	134613501
<b>22</b>	SPRING-IDLER	3205241
<b>23</b>	Idler Arm Assy,with pulley	131863100
<b>25</b>	Belt,dryer drive	134503900
<b>26</b>	Block,support ,bottom panel	5303212870
<b>27</b>	Clamp,motor mtg.	134242400
<b>28</b>	Motor,dryer drive ,with pulley	134196600
<b>31</b>	Power Cord,electric svce	134500500
<b>33</b>	Shield,access area ,cover	131731410
<b>34</b>	Screw,hex washer head	134154100
<b>38</b>	Elbow,exhaust duct	3204320
<b>39</b>	Screw,No.8 pan head	131205100
<b>42</b>	Bracket,marriage ,interior	5304439185
<b>43</b>	Screw,hex head ,12-24T 0.63	131751500

Distribuidor Autorizado

**SurteRápido.com**

Venta de Refacciones  
Electrodomesticas

C.L. Frigidaire FGX831FS3

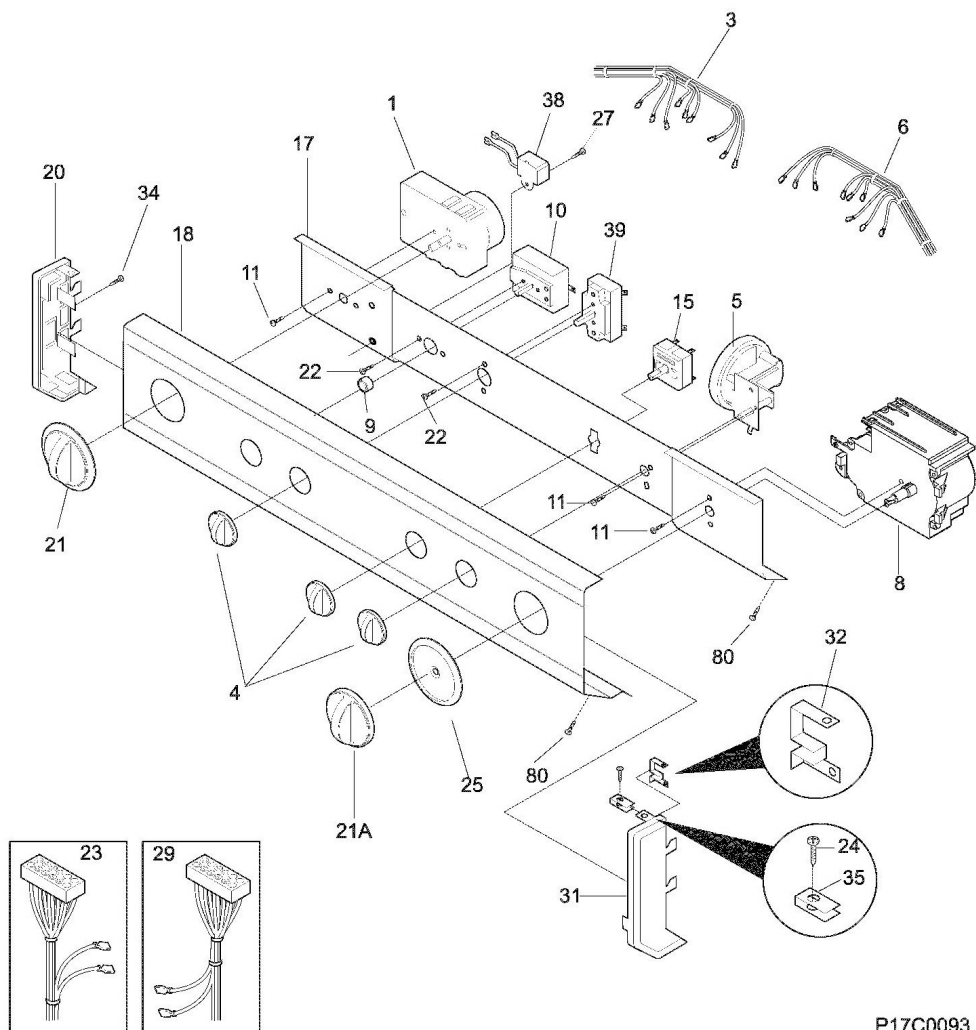
<b>No. Ilus.</b>	<b>DESCRIPCIÓN</b>	<b>No. de Parte</b>
44	Bracket,L mounting ,cabinet rear	3204326
48	Panel,dryer ,bottom rear	131731310
50	Cover,safety ,lower front	3204329
61	Bracket,gas valve mtg	5303309493
62	Screw, pan head, 8-18AB x 0.375	131243700
64	Pipe,gas	134145200
67	Elbow,gas fitting	134769400
68	Tail Piece,coupling	134185100
69	Union,hex nut	5308015194
70	VALVE GAS	5303207409
71	Solenoid,secondary coil	5300622602
72	Solenoid,booster coil	5308015680
73	Orifice,natural gas ,size 44	5303211036
74	Igniter Assy	134393700
77	Burner,gas	134197700
79	Sensor,radiant	5303281135
80	Screw,10-16AB x 0.375	134547800
80A	TUBE-BURNER	131712401
85	Shield,heat	134287300
86	Plate,adapter	134264800
87	Cable Tie,push mount ,5.20 inch	131964400

Distribuidor Autorizado

SurteRápido.com

Venta de Refacciones  
Electrodomesticas

C.L. Frigidaire FGX831FS3



P17C0093

Distribuidor Autorizado

**SurteRápido.com**

Venta de Refacciones  
Electrodomesticas

C.L. Frigidaire FGX831FS3

<b>No. Ilus.</b>	<b>DESCRIPCIÓN</b>	<b>No. de Parte</b>
NI	Clamp,hose ,pressure switch	131209800
NI	Terminal Block,main	134101400
NI	Screw,terminal block	5304426200
1	TIMER-DRYER	5303297139
3	Wiring Harness,dryer control	134066100
4	Knob,rotary ,white/dk gray	131873404
5	Switch,presure ,3 position ,3/4 hp	134422700
6	Wiring Harness,washer ctrl ,temp switch	134542500
8	TIMER-WASHER	131758600
9	Button,start switch ,white ,push type	131111501
10	SWITCH-PUSH START	131628900
11	Screw,cr pan head `8-32 x 0.250	5303283289
15	Switch,temperature ,3 position	134410100
17	Bracket,control mount	134263400
18	Panel,trimplate ,console front	134310300
20	End Cap,white ,LH	131288101
21	Knob,dryer timer ,white	131873304
21A	Knob,washer timer ,white	131977201
22	Screw,pan head quad ,8-32 x 0.15	131311700
23	Wiring Harness,main	134605800
24	Screw,flat head ,8-18AB x 0.44	134156200
25	Indicator,timer pointer ,white/dark	131976804
27	Screw,6-20B x 0.230	131892100
29	Wiring Harness,washer ,lower	134769600
31	END CAP, WHITE, RH	131288211
32	CLIP-GROUNDING	3204357
34	Screw, pan head, 8-18AB x 0.375	131243700



Distribuidor Autorizado

**SurteRápido.com**

Venta de Refacciones  
Electrodomesticas



C.L. Frigidaire FGX831FS3

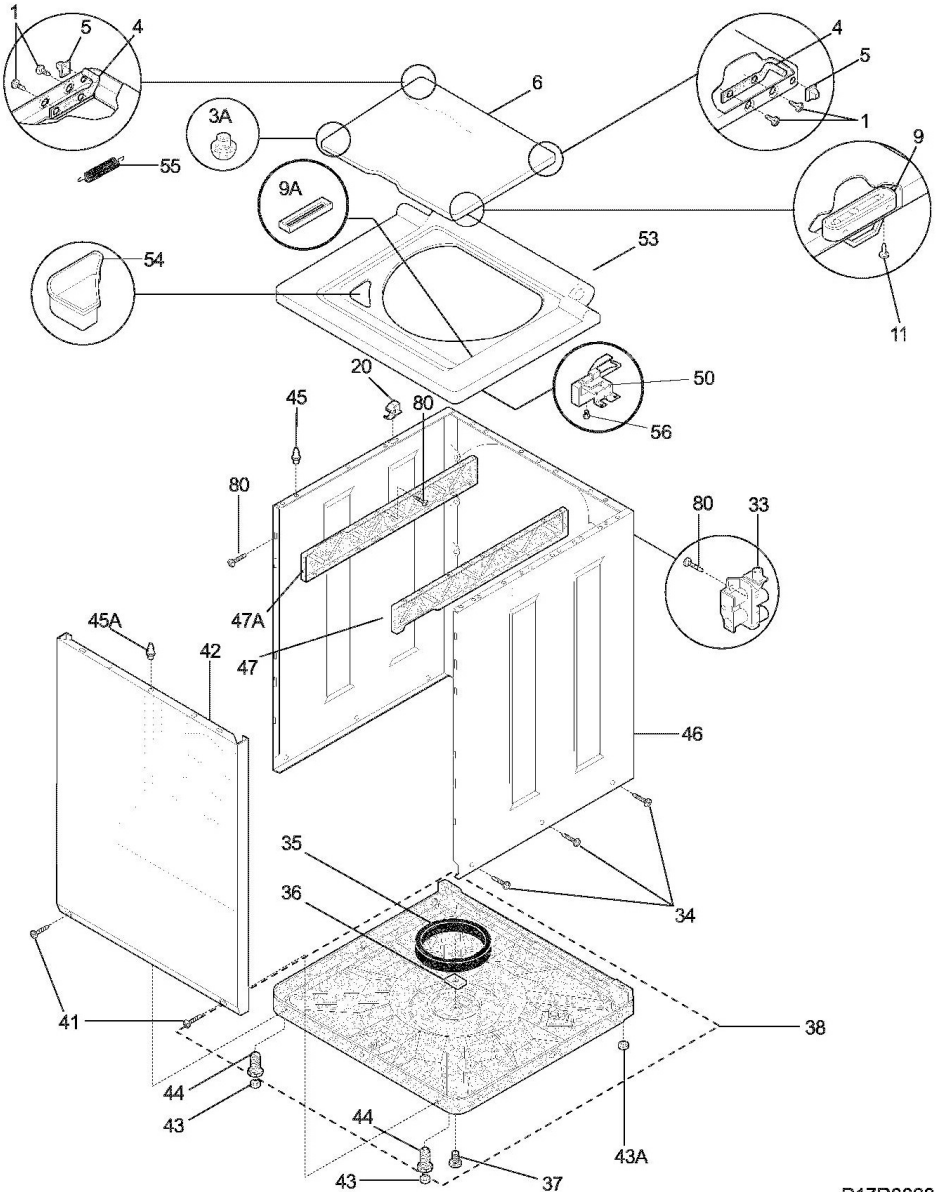
<b><u>No. Ilus.</u></b>	<b><u>DESCRIPCIÓN</u></b>	<b><u>No. de Parte</u></b>
<b>35</b>	Clip, end cap mtg ,U-type	5308014350
<b>38</b>	BUZZER	5303286537
<b>39</b>	Switch, rotary ,2 position	134400000
<b>80</b>	Screw, 10-16AB x 0.375	134547800

Distribuidor Autorizado

SurteRápido.com

Venta de Refacciones  
Electrodomesticas

C.L. Frigidaire FGX831FS3



Distribuidor Autorizado



Venta de Refacciones  
Electrodomesticas

C.L. Frigidaire FGX831FS3

<b>No.Illus.</b>	<b>DESCRIPCIÓN</b>	<b>No. de Parte</b>
<b>1</b>	Screw,pan hd phillips ,6-32 x 0.337	134203900
<b>3A</b>	Bumper,lid ,front	134075500
<b>4</b>	HINGE BAR	3205250
<b>5</b>	Grommet,hinge	5303208743
<b>6</b>	Lid,washer ,white	5303212872
<b>9</b>	Lid Strike	131390000
<b>9A</b>	Insert,striker plate ,lid slot	134768500
<b>11</b>	Screw,lid strike mtg ,6-20B X 0.375	3204368
<b>20</b>	Pin,slide ,side to top	3204374
<b>33</b>	Valve,water ,115 V	134890600
<b>34</b>	Screw,cab body ,1/4-14 x 0.625	131205500
<b>35</b>	SNUBBER RING	5308002385
<b>36</b>	SHIPPING BLOCK	3204380
<b>37</b>	Screw,shipping ,1/4-20 x 1.001	131658900
<b>38</b>	BASE ASSEMBLY	5303311213
<b>41</b>	Screw,10-16AB x 0.500	131258400
<b>42</b>	PANEL - FRONT - WHITE	131104303
<b>43</b>	PAD-LEVELING LEG	131422100
<b>43A</b>	Pad,self lvlg leg ,rear	131422200
<b>44</b>	Screw,leveling leg ,with pad	5303309673
<b>45</b>	Pin,panel locator	131346400
<b>45A</b>	Pin,panel locator ,front	131346401
<b>46</b>	Cabinet Assy,white ,back and sides	134046600
<b>47</b>	BRACKET-MARRIAGE-RH	131106701
<b>47A</b>	BRACKET-MARRIAGE-LH	131091001
<b>50</b>	Lock,lid ,w/ext switch	134101800
<b>53</b>	Panel,washer top ,white	131452510

Distribuidor Autorizado

**SurteRápido.com**

Venta de Refacciones  
Electrodomesticas



C.L. Frigidaire FGX831FS3

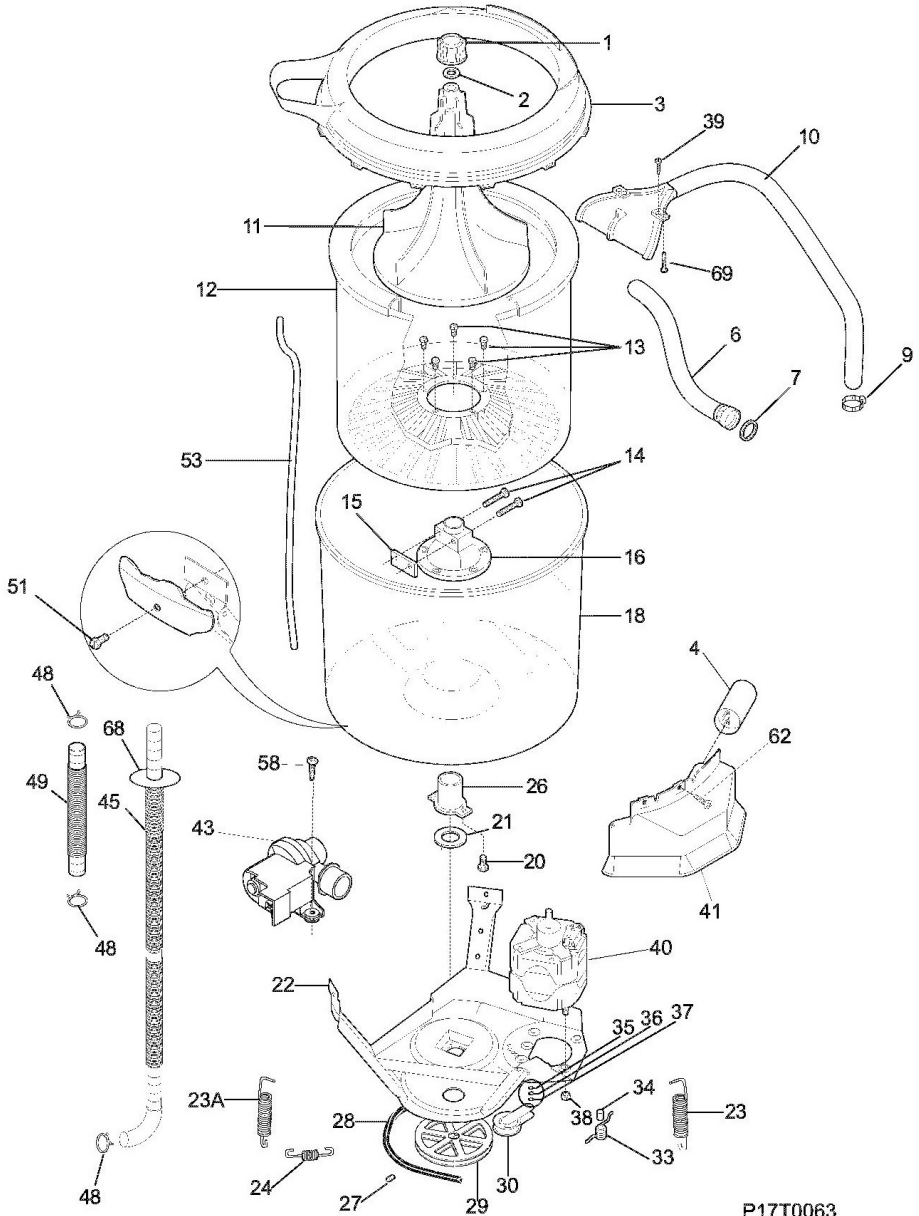
<b><u>No. Ilus.</u></b>	<b><u>DESCRIPCIÓN</u></b>	<b><u>No. de Parte</u></b>
<b>54</b>	DISPENSER-BLEACH	3204394
<b>55</b>	Spring, lid assist	137046100
<b>56</b>	Screw, pan head, 8-18AB x 0.375	131243700
<b>80</b>	Screw, 10-16AB x 0.375	134547800

Distribuidor Autorizado

SurteRápido.com

Venta de Refacciones  
Electrodomesticas

C.L. Frigidaire FGX831FS3



P17T0063

Distribuidor Autorizado



Venta de Refacciones  
Electrodomesticas

C.L. Frigidaire FGX831FS3

<b>No. Ilus.</b>	<b>DESCRIPCIÓN</b>	<b>No. de Parte</b>
NI	Bushing, snap-in	131453000
NI	Cushion, drain hose ,base	131663500
NI	· Seal, splash cover	131901400
NI	Clip, drain hose ,push-mount	134261300
NI	Clip, drain hose	134745300
NI	Insert, spring adjuster ,vertical	5303212877
NI	Clip, drain hose ,back sheet	5303309503
1	Cap, agitator ,standard, slim	3204395
2	SEAL-AGITATOR CAP	3204396
3	Cover, splash tub ,with seal	131398303
4	Capacitor, motor	131212303
6	Hose, water inlet ,4 ft. ,hose & washer	131454100
7	WASHER-INLET HOSE	5303161296
10	Hose Assy, w/nozzle	134211700
11	Agitator, standard ,slim	5304405894
12	Tub, spin ,w/lint filter	131090400
13	Screw, trunion ,5/16-18 x 0.625 ,(5)	5303283293
14	Screw, lockplate ,5/16-18 x 1.625	131192800
15	Plate, lock	5308001923
16	TRUNNION	131545101
18	Tub, splash ,w/air dome, brg	131557201
20	Screw, tub bearing ,8-12B x 0.750	3205150
21	WASHER, SPIN BEARING, UPPER	5308002401
22	LEG & DOME ASSY	131373610
23	Spring, vertical ,short	134886600
23A	Spring, vertical	134885900
24	SPRING-HORIZONTAL	131373900

Distribuidor Autorizado

**SurteRápido.com**

Venta de Refacciones  
Electrodomesticas

C.L. Frigidaire FGX831FS3

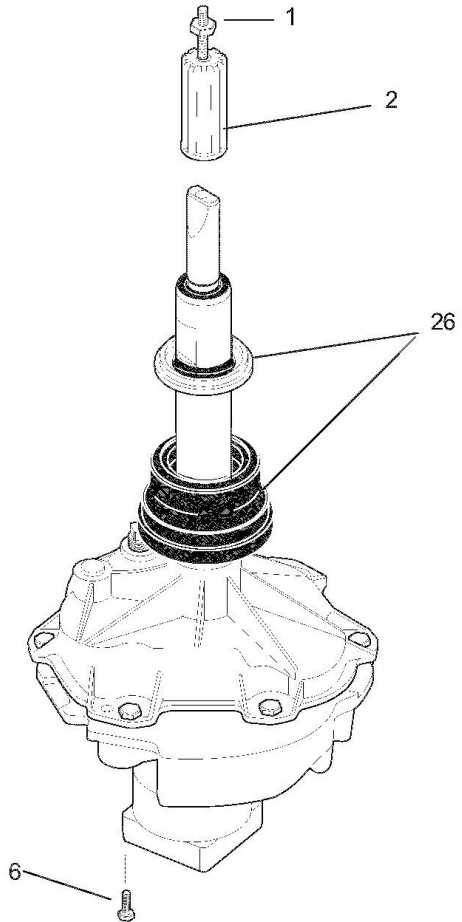
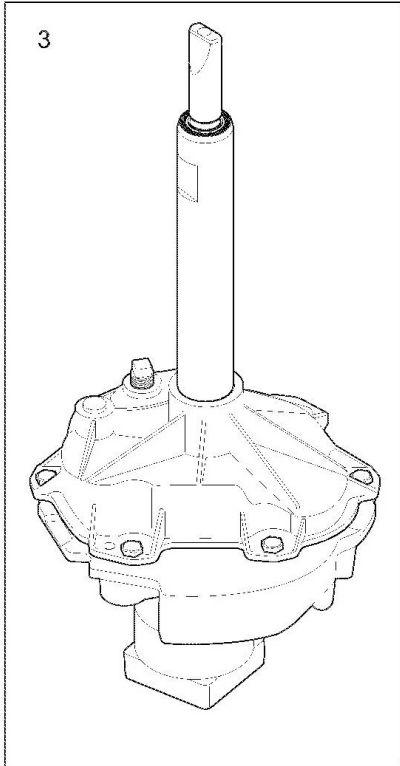
<b><u>No. Ilus.</u></b>	<b><u>DESCRIPCIÓN</u></b>	<b><u>No. de Parte</u></b>
26	BEARING-OUTER TUB	3204405
27	Screw, set, hex hd cup ,5/16-18 x 0.85	5303304825
28	V-Belt, washer drive ,standard 4L	134511600
30	Idler Arm Assy, VAW ,with pulley	131862900
33	Spring, torsional	3204425
34	SLEEVE-IDLER PIVOT	3204426
35	RING-RETAINING	3161433
36	WASHER-PIVOT SHAFT	5303261031
37	Washer, spring type	5303161306
38	Nut, hex flange ,motor mounting	5303318708
39	Screw, No.8 pan head	131205100
40	Motor, 3/4 hp, 1 speed ,with pulley	134156400
41	Shield, motor assy	134455500
43	Pump, drain	134740500
45	Hose, drain	134592700
48	Clamp, hose ,wire	131306234
49	HOSE-PUMP TO TUB	131494800
51	Screw, hex washer head ,5/16-18 x 0.625	134164400
53	Tube, pressure ,vinyl	5304401845
58	Screw, washer hd ,10-16AB X 0.75	134160900
62	Screw, 10-16AB x 0.500	131258400
68	RING-DRAIN HOSE	131707800
69	FASTENER-RATCHET	131731500

Distribuidor Autorizado

SurteRápido.com

Venta de Refacciones  
Electrodomesticas

C.L. Frigidaire FGX831FS3





Distribuidor Autorizado

**SurteRápido.com**

Venta de Refacciones  
Electrodomesticas

C.L. Frigidaire FGX831FS3

<b><u>No. Ilus.</u></b>	<b><u>DESCRIPCIÓN</u></b>	<b><u>No. de Parte</u></b>
<b>NI</b>	ENERGY GUIDE	134810000
<b>1</b>	STUD-AGITATOR CAP	131206800
<b>2</b>	Hub,drive ,agitator	134264100
<b>3</b>	Transmission,service kit	134735700
<b>6</b>	Screw,hex washer head ,1/4-20 x 0.437	134197900
<b>26</b>	Seal Assy,tub ,transmission	5303279394