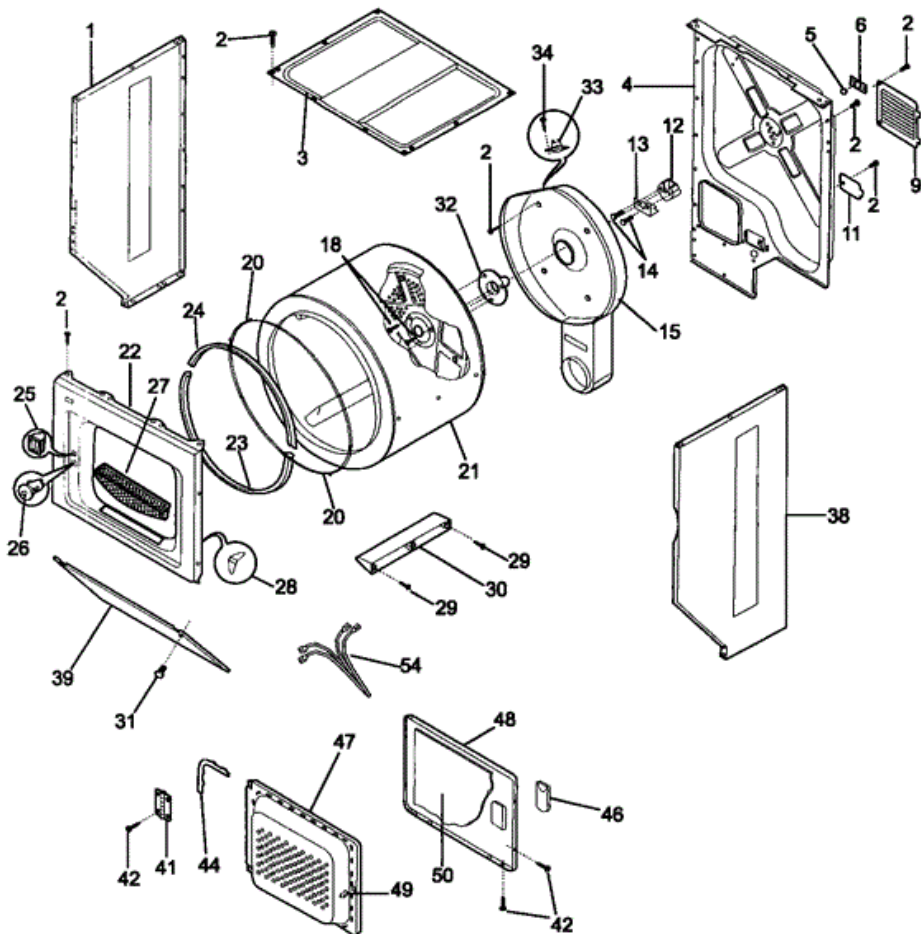


Distribuidor Autorizado

SurteRápido.com

Venta de Refacciones
Electrodomesticas

FLSG62MRF52 TAMBOR





FLSG62MRFS2 TAMBOR

1	131084700	PANEL-LEFT SIDE-WHITE
2	131168200	SCREW,8-18 X 0.31 ,12
3	131883301	PANEL-TOP WASHED
4	131752302	PANEL-REAR
5	5303281019	BALL
6	5303281020	CLIP-BALL
9	3204249	PANEL-ACCESS,DRYER
11	5303207395	COVER-TERM BLOCK
12	131825900	BEARING-DRUM SUPPORT
13	131724300	BRACKET-BEARING
14	131205400	SCREW-BRACKET, 10-16B X 1.375, CR/SQ DRIVE
15	5303207394	HOUSING-HEAT & DUCT
18	131477000	SCREW-SHAFT & BAFFLE, COMB PH AB SPCL,
20	134036400	FELT-UPPER
21	134122532	ASMY-DRUM GALVANIZED,21
22	134031600	PANEL-FRONT
23	134134700	LOWER FELT
24	131963900	GLIDE-DRUM
25	131658800	CATCH-DOOR
27	131359600	TRAP-LINT
28	5303281074	CLIP-GUIDE,(3)
29	131382300	SCREW-VANE, QUADREX HEAD, 10-14 X 1.00,
30	5303201200	VANE
31	131202300	SCREW-, PPH AB, 10-16 X 0.625
32	131777700	ASMY-SHAFT (BALLHITCH)
33	5304406099	THERMOSTAT-SAFETY
34	131243700	SCREW,PAN HEAD ,8-18AB X 0.375 ,39 ,CR/SQ DRIVE
38	131084800	PANEL-RIGHT SIDE-WHITE
39	131084402	PANEL-ACCESS-WHITE
41	131627500	HINGE-DOOR
42	131209600	SCREW, FLAT HEAD, 8-18AB X 0.44, CR/SQ DRIVE
44	131129900	GASKET-DOOR
46	131789400	HANDLE-DOOR, WHITE

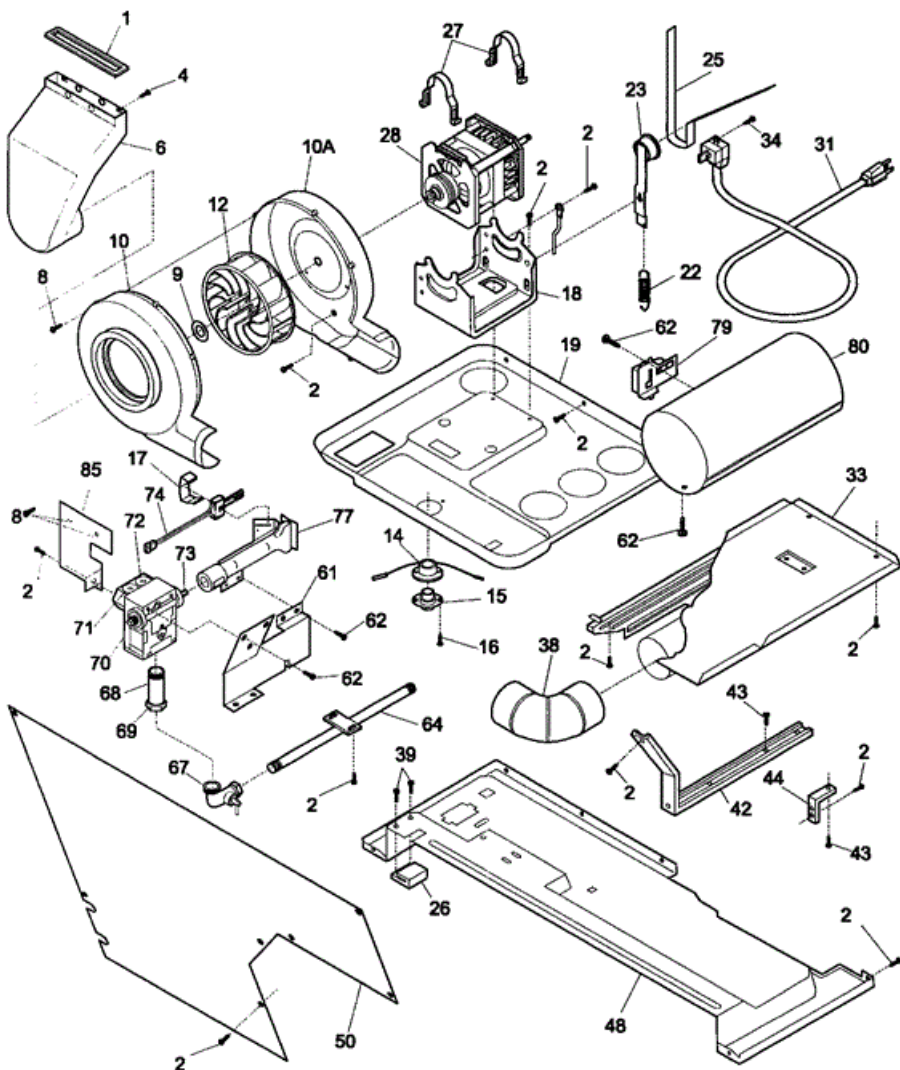
47	131579103	DOOR-INNER, WHITE
48	131789303	DOOR-OUTER, WHITE
49	5303211430	STRIKE DOOR
50	3204286	SHIELD-HEAT
F26	5308001614	SWITCH-DOOR
F54	131498900	HARNESS-DOOR SWITCH
NI	131870700	PLUG-LIGHT HOLE

Distribuidor Autorizado

SurteRápido.com

Venta de Refacciones
Electrodomesticas

FLSG62MRF52 MOTOR / TURBINA





FLSG62MRFS2 MOTOR / TURBINA

1	131295200	SEAL-AIR DUCT
10A	131575200	HOUSING-BLOWER, REAR
2	131168200	SCREW,8-18 X 0.31 ,12
4	131362400	FASTENER
6	131730500	DUCT-AIR
8	3205245	SCREW,PPH AB ST/Z/CH ,6-18X.60
9	5303304824	CLAMP
10	131784500	ASMY,FRT BLW HSG/SEAL
12	131476300	WHEEL-BLOWER
14	131658101	THERMOSTAT-HEATER
16	3204308	SCREW-THERMOSTAT, PPH CUP PT, 8-18 X .625
17	131715500	CLIP-IGNITER
18	131367101	CRADLE, MOTOR
18	131413600	CRADLE & STUD
19	131363901	PAN-MOTOR CRADLE
22	3205241	SPRING-IDLER
23	131863100	IDLER & PULLEY ASSY
26	5303212870	BLOCK-SUPPORT
27	131419800	CLAMP-MOTOR
31	134099900	SERVICE CORD GAS L/C (NOM)
33	131731410	SHIELD-ACCESS
34	131301100	SCREW-GROUND CAB,HEX WASHER HEAD ,10-32T
38	3204320	ELBOW-EXHAUST
39	131205100	SCREW,NO.8 PAN HEAD ,10-10B X 0.50 ,CR/SQ DRIVE
42	3204324	BRACKET-MARRIAGE
43	131751500	SCREW NO.12-24 X .63 HEX HD
44	3204326	BRACKET-EXTERNAL
48	131731300	PAN-BOTTOM
50	3204329	COVER-SAFETY
61	5303207404	BRACKET-GAS VALVE
62	131243700	SCREW,PAN HEAD ,8-18AB X 0.375 ,39 ,CR/SQ DRIVE
64	134145200	PIPE
67	131498500	VALVE-SHUT OFF

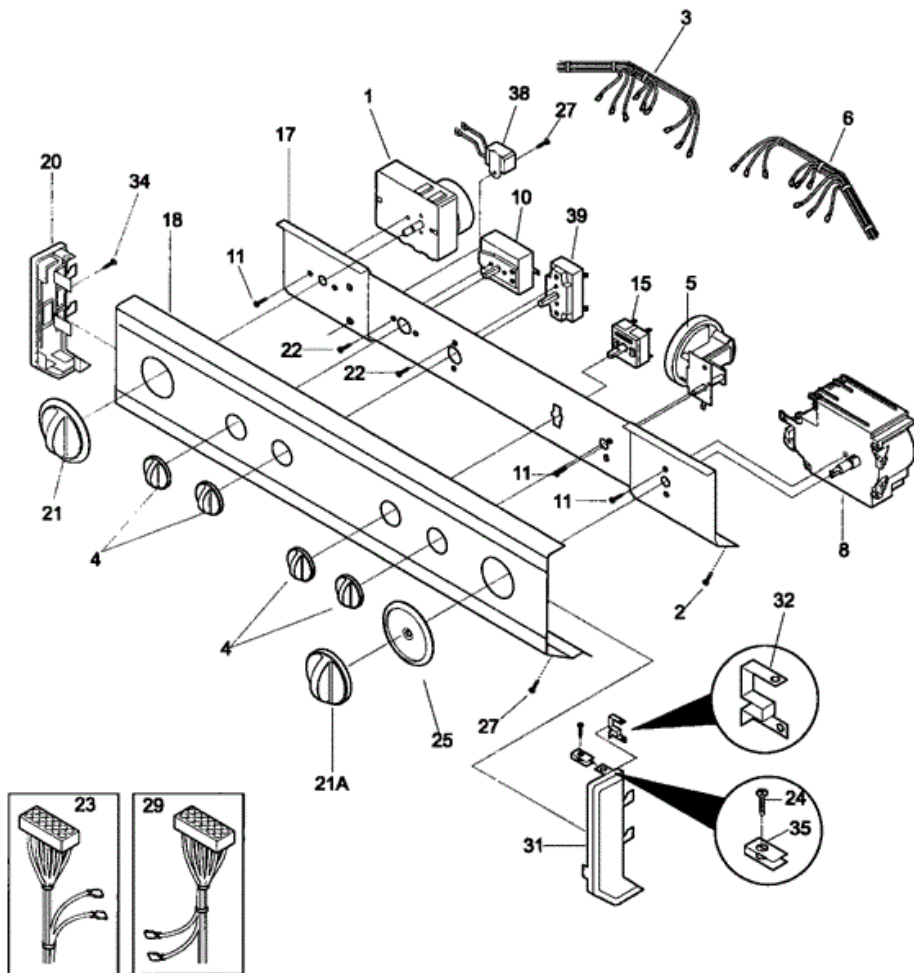
68	5362791200	TAIL PIECE,BRASS
69	8015194	NUT-UNION, HEX
70	5303207409	VALVE GAS
71	5300622602	COIL-SECONDARY
72	5308015680	COIL-BOOSTER
73	5303211036	ORIFICE-NATURAL GAS
77	131763500	ASSY-BURNER
79	5303281135	SENSOR
85	131712300	SHIELD-HEAT
F15	131322600	THERMOSTAT-CONTROL,15 NO.
F25	5303283287	BELT-DRYER
F28	134113700	MOTOR & PULLEY
F74	5303281151	IGNITOR ASSY
F80	131712401	TUBE-BURNER
NI	5303937053	LP CONVERSION KIT,NATURAL TO LP

Distribuidor Autorizado

SurteRápido.com

Venta de Refacciones
Electrodomesticas

FLSG62MRFS2 TABLERO





FLSG62MRFS2 TABLERO

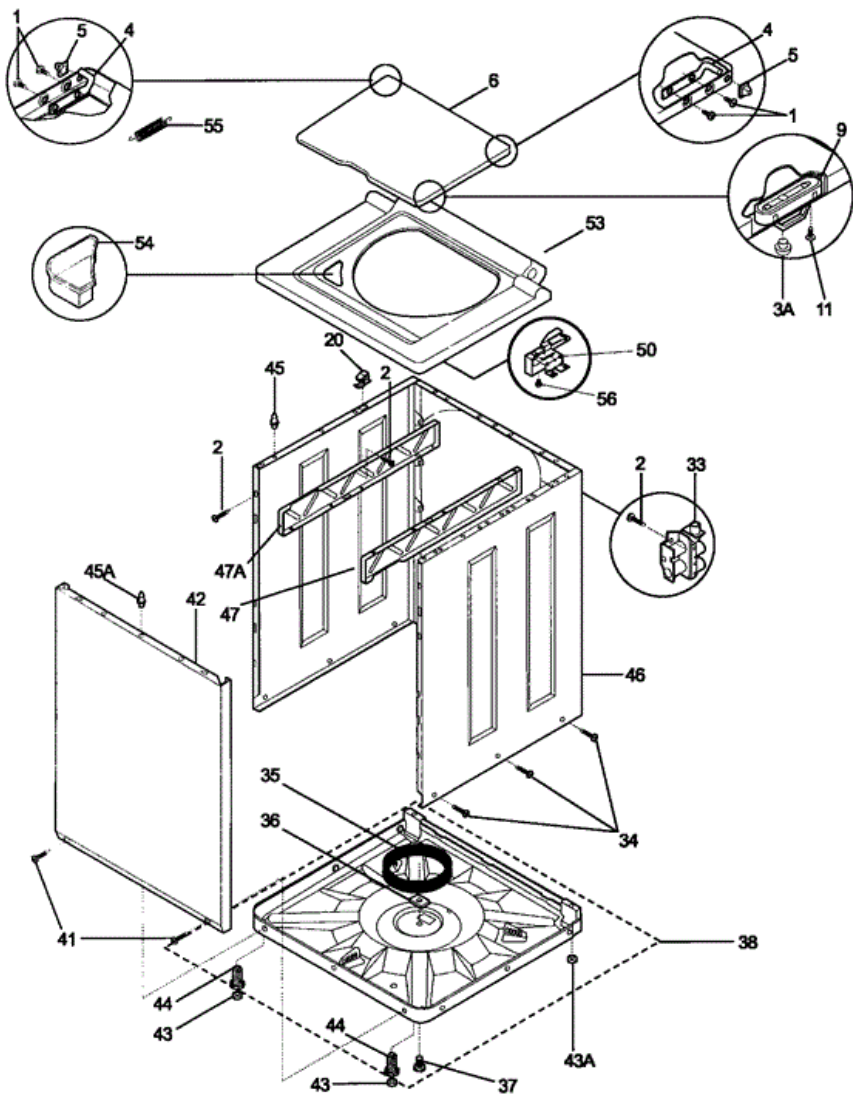
1	5303297139	TIMER-DRYER
2	131168200	SCREW,8-18 X 0.31 ,12
3	131946500	HARN-CONT-LCD WJ GAS TTS
4	131873401	KNOB-ROTARY
5	131827400	SWITCH-PRESSURE
6	134122200	HARN-WSHR-CONT-W/TEMP SW
8	134049600	TIMER ELEC S MALLORY DELTA
11	5303283289	SCREW,CR PAN HEAD `8-32 X 0.250 ,
17	131975610	BRKT-CONT MTG WELD-TURN/START
18	131955300	TRIMPLATE FDG8WJSS
20	131288101	END CAP,WHITE ,LH
21	131873301	ASMY-KNOB/IND
21A	131977201	KNOB-WHT-LC WSH TIMER G1/R1
22	3161259	SCREW-SWITCH, 6-32 X .19-2A, (2)
24	131209600	SCREW, FLAT HEAD, 8-18AB X 0.44, CR/SQ DRIVE
25	131976801	PNTR-WHT/BUE IND-LC WSHR R1
27	131892100	SCR 6-20X.230 PPH B PT
31	131288211	END CAP, WHITE, RH
32	3204357	CLIP-GROUNDING
34	131243700	SCREW,PAN HEAD ,8-18AB X 0.375 ,39 ,CR/SQ DRIVE
35	5308014350	CLIP-END CAP
39	131753000	SWITCH-DRYER TEMP 4 POS ROT
F10	131447500	SWITCH-START
F15	131621100	SWITCH-WATER TEMP
F23	131848700	HARNESS-LCD MAIN GAS
F29	134113400	HARN-LWR WSHR L/C EMERSON 2SPD
F38	5303286537	BUZZER
NI	131209800	CLAMP-SW. PRESSURE
NI	5303161300	STRAP

Distribuidor Autorizado

SurteRápido.com

Venta de Refacciones
Electrodomesticas

FLSG62MRFS2 GABINETE





FLSG62MRFS2 GABINETE

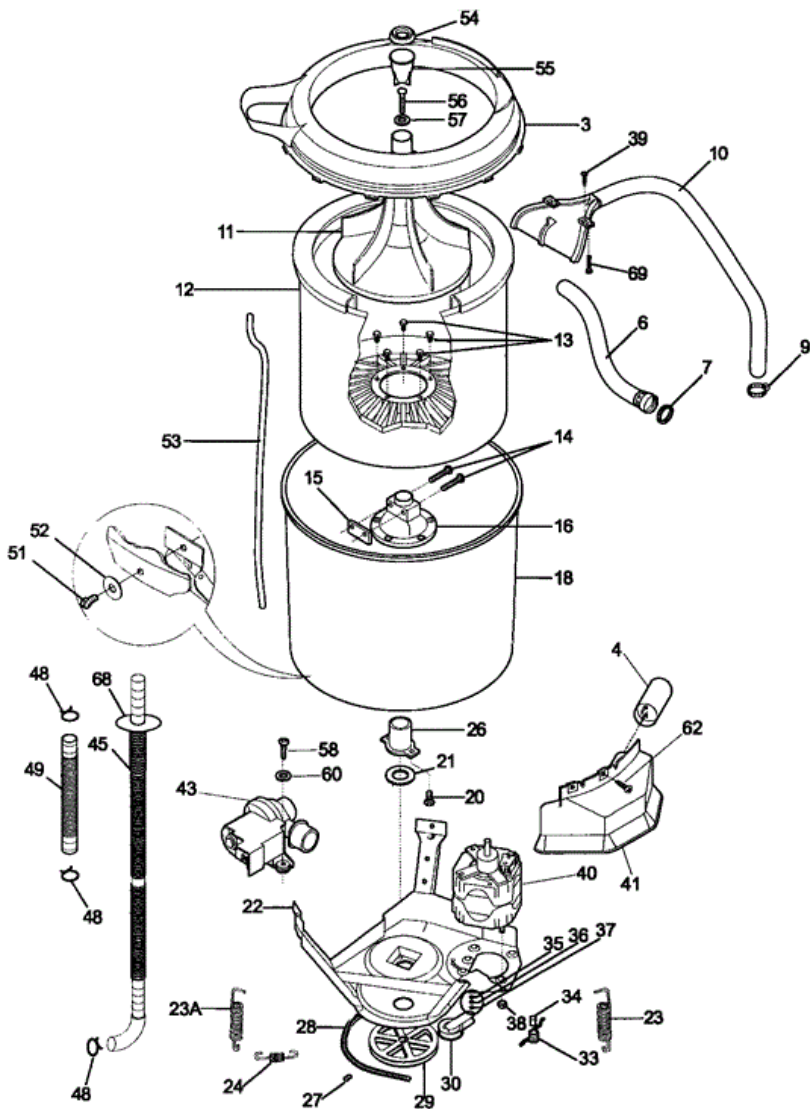
1	131587500	SCREW-HINGE,PPH 45DEG HDRPT ,6-32 X 0.3125
2	131168200	SCREW,8-18 X 0.31 ,12
4	3205250	HINGE BAR
5	3204362	GROMMET-HINGE
6	5303212872	LID-WHITE
9	131390000	STRIKE-LID
11	3204368	SCREW-STRIKE, PFH B, 6-20 X .375
20	3204374	PIN-SLIDE
34	131205500	SCREW-BODY, 1/4-14 X 0.625
35	5308002385	RING-SNUBBER
36	3204380	BLOCK-SHIPPING
37	131658900	SCREW-SHIPPING
38	5303311213	BASE ASSEMBLY
3A	134075500	BUMPER-LID
41	131258400	SCREW-FRONT PNL,COMB TH AB ,10-16 X 0.500
42	131104303	PANEL - FRONT - WHITE
43	131422100	PAD-LEVELING LEG
43A	131422200	PAD-LEVEL LEG
44	5303309673	LEG-LEVELING, WITH PAD
45	131346400	PIN, LOCATING
45A	131346401	PIN-LOCATING
46	134046600	ASMY-CABINET 3 PC-WHITE
47	131106701	BRACKET-MARRIAGE-RH
47A	131091001	BRACKET-MARRIAGE-LH
53	131452510	PANEL-TOP WHITE
54	3204394	DISPENSER-BLEACH
55	5303212876	SPRING-LID
56	131243700	SCREW,PAN HEAD ,8-18AB X 0.375 ,39 ,CR/SQ DRIVE
F33	131389300	VALVE-WATER
F50	134101800	LID LOCK W/EXTERNAL SW
NI	131453000	BUSHING-DRAIN HOSE
NI	5303212877	INSERT-SPRING ADJ
NI	5303309503	CLIP-BACKSHEET

Distribuidor Autorizado

SurteRápido.com

Venta de Refacciones
Electrodomesticas

FLSG62MRFS2 TINAS



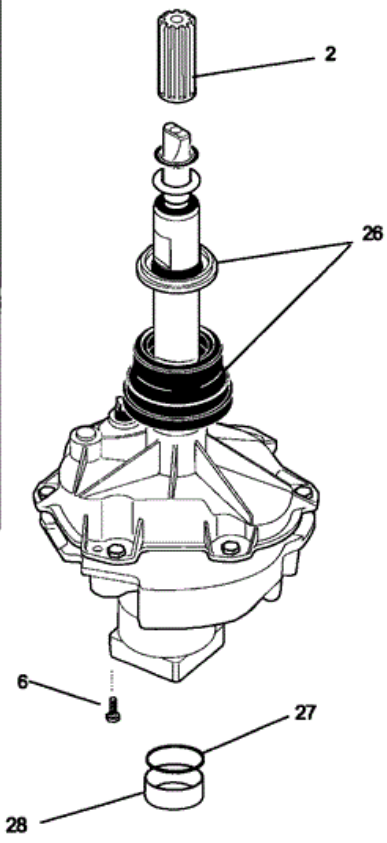
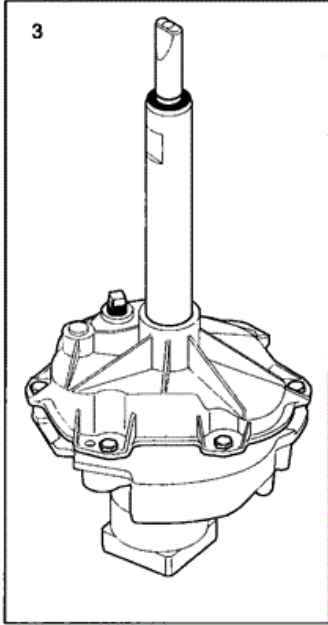


FLSG62MRFS2 TINAS

3	131551102	ASMY-SPLASH TUB COVER H+
4	131212301	CAPACITOR
6	N6561384	HOSE-INLET
7	5303161296	WASHER-INLET HOSE
9	5303304824	CLAMP
10	131726300	HOSE,NOZZLE, & CLAMP
11	131427200	AGITATOR
12	131221300	TUB-SPIN
13	5303283293	SCREW-TRUNNION,UNC2AX.625`.312-18 ,(5)
14	131192800	SCREW-LOCKPLATE, HX, .312-18 X .1.625
15	5308001923	LOCKPLATE
16	131545101	TRUNNION
18	131557201	TUB-SPLASH, W/AIR DOME, BRNG
20	3205150	SCREW-TUB BEARING, PPH B ST/Z, 8-12 X 0.750
21	5308002401	WASHER, SPIN BEARING, UPPER
22	131373610	LEG & DOME ASSY
23	5303208858	SPRING-VERTICAL (SHORT)
23A	5303208860	SPRING-VERTICAL
24	131373900	SPRING-HORIZONTAL
26	3204405	BEARING-OUTER TUB
27	5303304825	SCREW-SET, HHD CUP PT, 5/16-18 X .85,
29	131498301	PULLEY-TRANSMISSION DRIVE
30	131862900	ASMY-VAW IDLER ARM
33	3204425	SPRING TORSION
34	3204426	SLEEVE-IDLER
35	3161433	RING-RETAINING
36	5303261031	WASHER-PIVOT SHAFT
37	5303161306	WASHER-SPRING
38	5303318708	NUT-MOTOR
39	131205100	SCREW,NO.8 PAN HEAD ,10-10B X 0.50 ,CR/SQ DRIVE
41	131513300	SHIELD-MOTOR
45	134049200	HOSE-DRAIN
48	131306234	CLAMP-PUMP

51	131659000	SCREW-LEG, HWH TYP 23, 5/16-18 X .875
52	131315800	WASHER-LEG, IDX.040, 1.25 ODX.335
53	5304401845	TUBE-PRESSURE
54	131266800	CAP-DISPENSER
55	131206100	CUP-DISPENSER
56	131468900	SCREW-AGITATOR,HWH SHLDR `5/16-18X1.250
57	131339600	SPACER-AGITATOR
58	131303100	SCREW,HWHHD AB ,10-16X.625
60	131304300	WASHER .21 X .71 X .06
62	131258400	SCREW-FRONT PNL,COMB TH AB ,10-16 X 0.500
68	131707800	RING-DRAIN HOSE
69	131731500	FASTENER-RATCHET
F28	131686100	BELT-WASHER
F40	131902700	MOTOR/PULLEY 3/4HP 2SP EMERSON
F43	134051200	PUMP-DRAIN-ASKOLL
F49	131494800	HOSE-PUMP TO TUB
NI	131462500	CLIP-DRAIN HOSE
NI	131506500	CLIP-DRAIN HOSE
NI	131663500	CUSHION
NI	131901400	SEAL-SPLASH TUB COVER
NI	5303212877	INSERT-SPRING ADJ

FLSG62MRFS2 TRANSMISION





FLSG62MRFS2 TRANSMISION

2	131475100	HUB-DRIVE
3	131878411	TRANSMISSION-COMPLETE
6	131346600	SCREW
26	5303279394	SEAL-TUB
27	131784300	WASHER-TRANS-BRG BLOCK-KOYO
28	131784400	SPACER-TRANS BRG BLOCK-KOYO