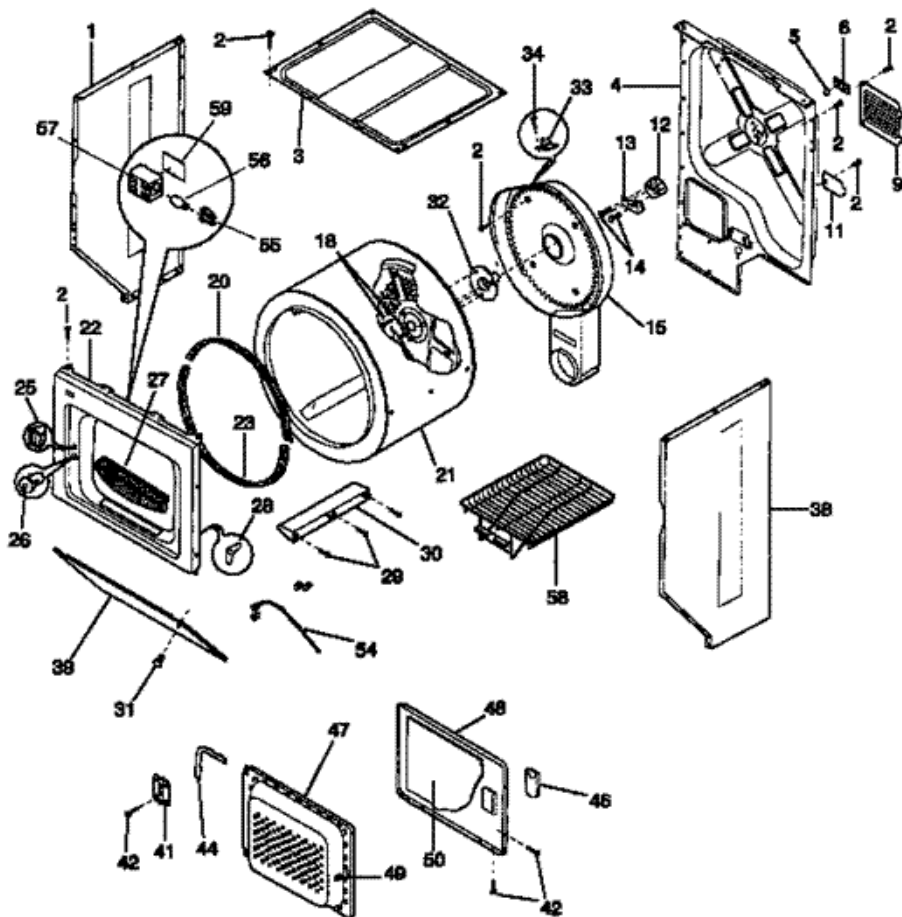


Distribuidor Autorizado

**SurteRápido.com**

Venta de Refacciones  
Electrodomesticas

## FLSG72GCS9 TAMBOR





## FLSG72GCS9 TAMBOR

1	131084710	PANEL-LEFT SIDE,WHITE (S/P)
2	131168200	SCREW,8-18 X 0.31 (S/P)
3	131883301	PANEL,GALVANIZED (S/P)
4	134799902	PANEL-REAR (S/P)
5	5303281019	BALL (S/P)
6	5303281020	CLIP-BALL (S/P)
9	3204249	PANEL-ACCESS,DRYER (S/P)
11	5303207395	COVER-TERM BLOCK <b>DESCONTINUADO</b>
12	131825900	BEARING-SHAFT
13	131724300	BRACKET-BEARING (S/P)
14	131205400	SCREW-BRACKET,10-16B X 1.375 (S/P)
15	5303207394	HOUSING-HEAT & DUCT (S/P)
18	131477000	SCREW-SHAFT&BAFFLE, (S/P)
20	5303937139P	GLIDE-DRUM
21	134138200	ASMY-L/C DRUM (S/P)
22	134031600	PANEL-FRONT,WHITE ,DRYER (S/P)
23	5303283286	SEAL-BASKET LOWER
25	131658800	CATCH-DOOR (S/P)
26	8006623	SWITCH-DOOR (S/P)
27	131359600	TRAP-LINT
28	5303281074	CLIP-GUIDE,(3)
29	131382300	SCREW-VANE,QUADREX HEAD ,10-14 X 1.00 , (S/P)
30	5303201200	VANE (S/P)
31	131202300	SCREW-,PPH AB ,10-16 X 0.625 (S/P)
32	137088600	SHAFT ASSY (S/P)
33	5304406099	THERMOSTAT-SAFETY (S/P)
34	215822000	SCREW,PAN HEAD ,8-18AB X 0.375 ,39 (S/P)
38	131084810	PANEL-RIGHT SIDE,WHITE (S/P)
39	131084402	PANEL-ACCESS,WHITE (S/P)
41	134222900	HINGE-DOOR (S/P)
42	131209600	SCREW,FLAT HEAD ,8-18AB X 0.44 (S/P)
44	131129900	GASKET-DOOR (S/P)
46	131789400	HANDLE-DOOR (S/P)

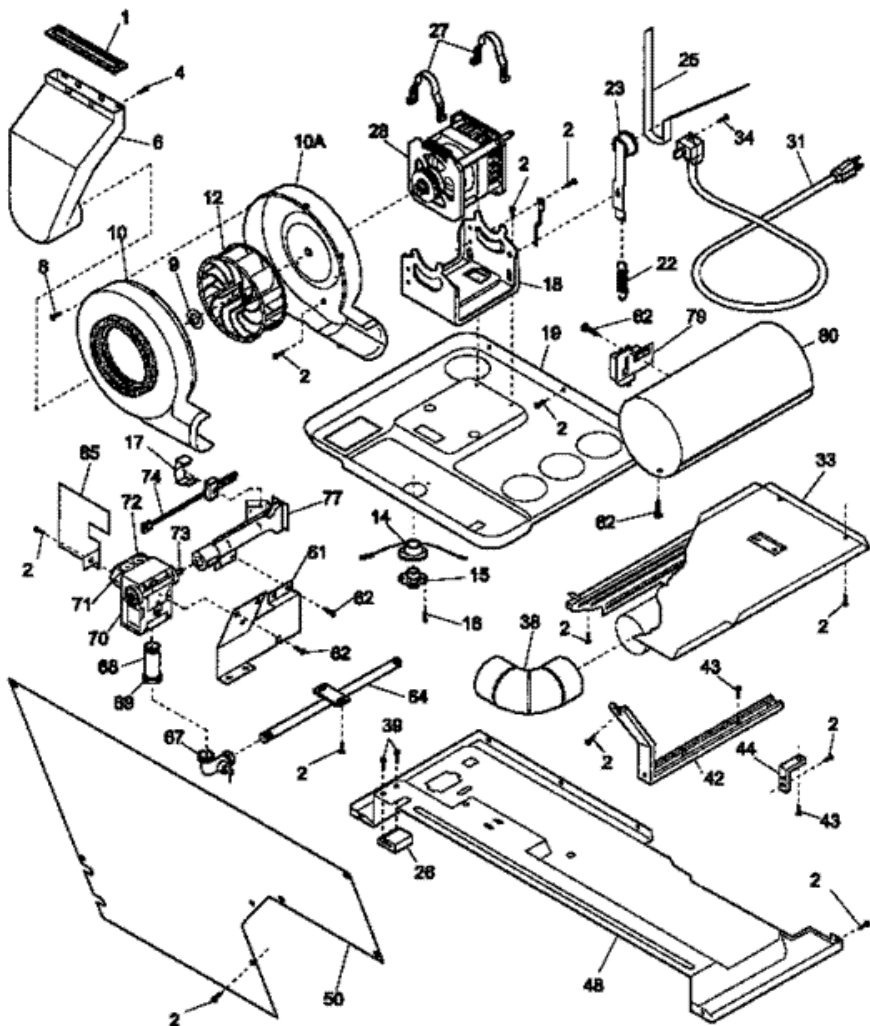
47	131579103	DOOR-INNER,WHITE (S/P)
48	131789303	DOOR-OUTER (S/P)
49	5303207102	STRIKE-DOOR (S/P)
50	134535300	SHIELD-HEAT (S/P)
54	131786300	HARNERR-DOOR SWITCH (S/P)
55	131843500	RECEPTACLE-LAMP (S/P)
56	131843500	LAMP (S/P)
57	131843500	HOLDER-LAMP (S/P)
58	131155200	RACK-DRYING
59	131843500	COVER-LAMP (S/P)

Distribuidor Autorizado

SurteRápido.com

Venta de Refacciones  
Electrodomesticas

# FLSG72GCS9 TURBINA





## FLSG72GCS9 TURBINA

1	131295200	SEAL-AIR DUCT (S/P)
2	131168200	SCREW,8-18 X 0.31 (S/P)
4	131362400	FASTENER (S/P)
6	134086300	DUCT-AIR
8	3205245	SCREW-BLOWER HSG,PPH AB ST/Z/CH (S/P)
9	5303304824	CLAMP
10	131784500	ASMY,FRT BLWR HSG & SEAL
10	131784500	HOUSING-BLOWER,REAR
12	131476300	WHEEL-BLOWER
14	5303207400	THERMOSTAT-HEATER
15	131322600	THERMOSTAT-CONTROL,15
16	3204308	SCREW-THERMOSTAT,PPH CUP PT (S/P)
17	131715500	CLIP-IGNITER (S/P)
18	131413600	CRADLE-MOTOR (S/P)
19	131363901	PAN-MOTOR CRADLE (S/P)
22	3205241	SPRING-IDLER (S/P)
23	131623300	ARM-IDLER & PULLEY
25	134503900	BELT-DRYER
26	5303212870	BLOCK-SUPPORT (S/P)
27	131419800	CLAMP-MOTOR (S/P)
28	5303937189	MOTOR & PULLEY
31	134500500	CORD-POWER (S/P)
33	131731410	SHIELD-ACCESS (S/P)
34	131301100	SCREW-GROUND CAB, (S/P)
38	3204320	ELBOW-EXHAUST (S/P)
39	131205100	SCREW,8 PAN HEAD ,10-10B X 0.50 (S/P)
42	5303306278	BRACKET-MARRIAGE (S/P)
43	131751500	SCREW 12-24 X .63 HEX HD (S/P)
44	3204326	BRACKET-EXTERNAL (S/P)
48	131731310	PAN-BOTTOM (S/P)
50	3204329	COVER-SAFETY (S/P)

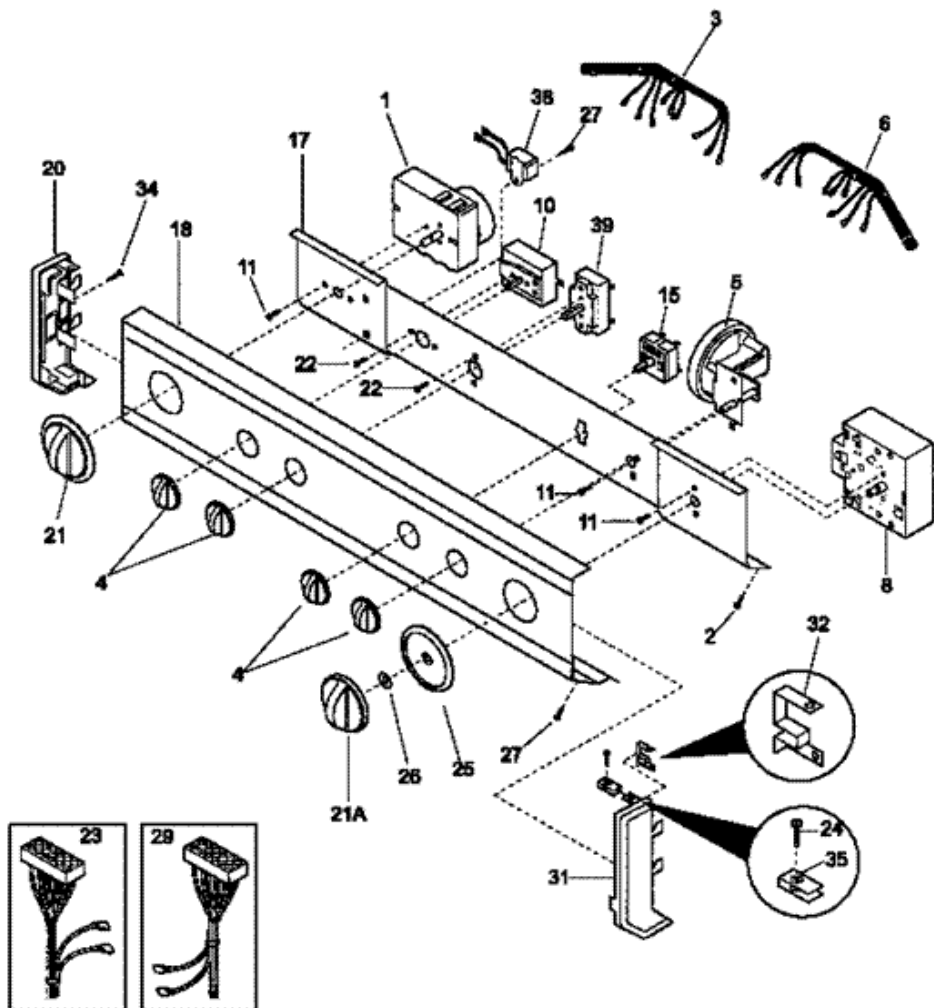
61	5303207404	BRACKET-GAS VALVE (S/P)
62	215822000	SCREW,PAN HEAD ,8-18AB X 0.375 ,39 (S/P)
64	5303207405	PIPE (S/P)
67	131498500	VALVE-SHUT OFF (S/P)
68	5362791200	UNION-MALE CONNECTOR,BRASS (S/P)
69	8015194	NUT-UNION,HEX (S/P)
70	5303207409	VALVE-GAS
71	5303931775	COIL-SECONDARY
72	5303931775	COIL-BOOSTER
73	5303207410	ORIFICE,NATURAL GAS (S/P)
74	5303937186	IGNITOR ASSY (S/P)
77	131763500	ASMY-BURNER (S/P)
79	5303281135	SENSOR (S/P)
80	131712401	TUBE-BURNER (S/P)
85	131712300	SHIELD-HEAT (S/P)

Distribuidor Autorizado

SurteRápido.com

Venta de Refacciones  
Electrodomesticas

# FLSG72GCS9 TABLERO





## FLSG72GCS9 TABLERO

1	131583801	TIMER-DRYER P GAS
2	131168200	SCREW,8-18 X 0.31 (S/P)
3	131703600	HARN-CONT-LCD PH GAS (S/P)
4	131873404	KNOB-ROTARY,WHITE (S/P)
5	134493500	SWITCH-PRESSURE
6	131668500	HARNES-CONT WSHR (S/P)
8	131437500	TIMER-WASHER
10	131447500	SWITCH-START
11	5303283289	SCREW,CR PAN HEAD ,8-32 X 0.25 (S/P)
15	131621100	SWITCH-WATER TEMP
17	131712711	BRACKET-CONTROLS (S/P)
18	131621600	PANEL-CONTROL,WHITE (S/P)
20	131288101	END CAP,WHITE ,LH
21	131873301	KNOB-TIMER DRYER,WHITE
21	131167601	KNOB-TIMER WASHER,WHITE (S/P)
22	3161259	SCREW-SWITCH,6-32 X .19-2A ,(2) (S/P)
23	131658300	HARNESS-MAIN,DRYER (S/P)
24	131209600	SCREW,FLAT HEAD ,8-18AB X 0.44 (S/P)
25	131167704	DIAL-TIMER,WHITE ,WASHER (S/P)
26	3205248	SPACER-TIMER SHAFT (S/P)
27	3205253	SCREW-END CAP,PPH B ,6-20X.375 (S/P)
29	131778800	HARN-LWR WSHR (S/P)
31	131288211	END CAP,WHITE ,RH (S/P)
32	3204357	CLIP-GROUNDING (S/P)
34	215822000	SCREW,PAN HEAD ,8-18AB X 0.375 ,39 (S/P)
35	131063700	CLIP-END CAP (S/P)
38	5303286537	BUZZER (S/P)
39	134399800	SWITCH-DRYER TEMP



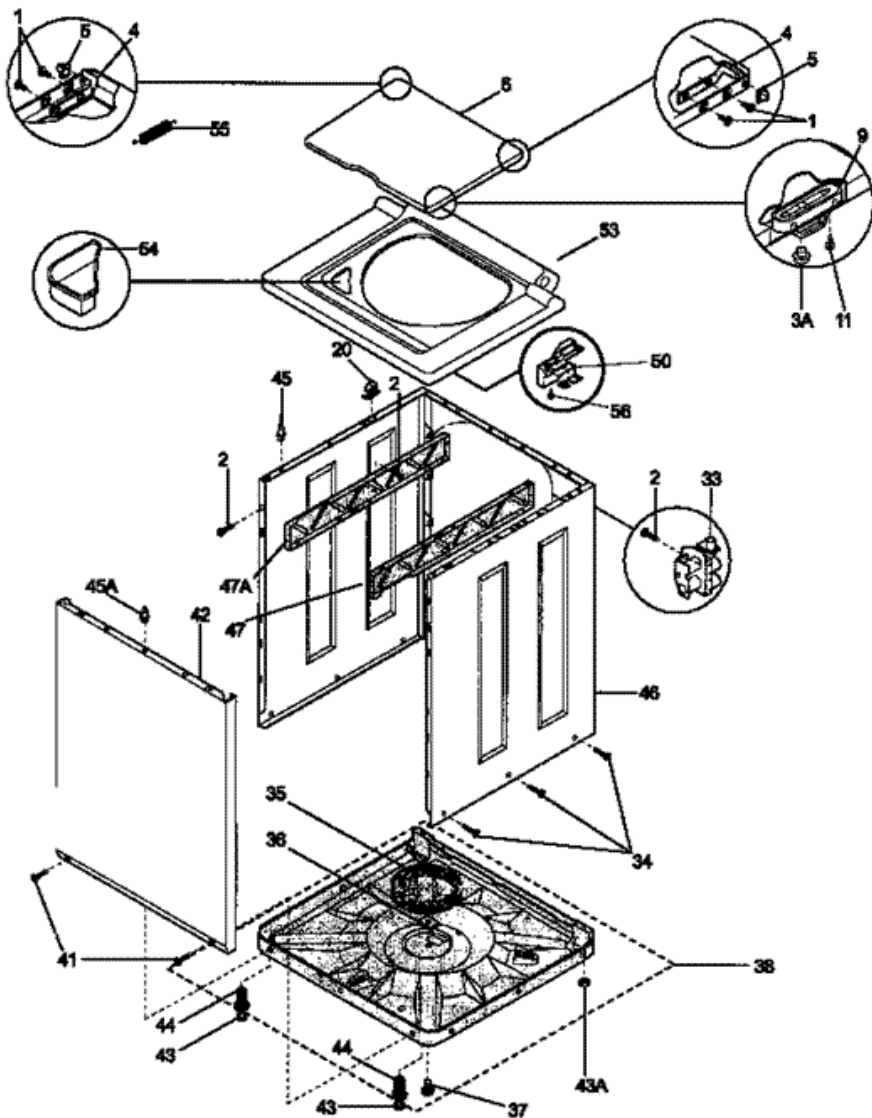
Distribuidor Autorizado

SurteRápido.com

Venta de Refacciones  
Electrodomesticas



# FLSG72GCS9 GABINETE





**FLSG72GCS9 GABINETE**

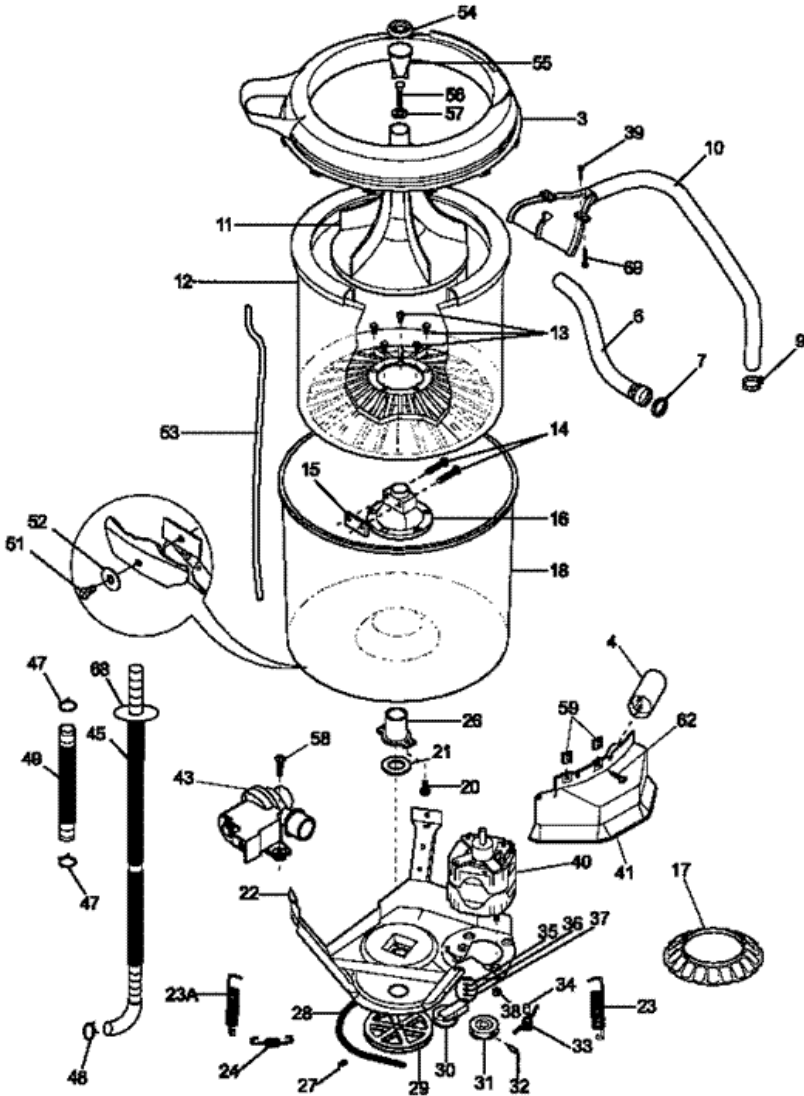
1	131587500	SCREW-HINGE,PPH 45DEG HDRPT ,6-32X.312 (S/P)
2	131168200	SCREW,8-18 X 0.31 (S/P)
3	134075500	BUMPER-LID
4	3205250	HINGE-BAR (S/P)
5	3204362	GROMMET-HINGE (S/P)
6	5303212872	LID-WHITE (S/P)
9	131390000	STRIKE-LID
11	3204368	SCREW-STRIKE,PFH B ,6-20X.375 (S/P)
20	3204374	PIN-SLIDE (S/P)
33	134190200	VALVE-WATER
34	131205500	SCREW-BODY,1/4-14 X 0.625 (S/P)
35	5308002385	RING-SNUBBER
36	3204380	BLOCK-SHIPPING (S/P)
37	131658900	SCREW-SHIPPING (S/P)
38	5303311213	BASE ASSEMBLY
41	131258400	SCREW-FRONT PNL,COMB TH AB (S/P)
42	131104303	PANEL-FRONT,WHITE (S/P)
43	131422200	PAD-LEVEL LEG (S/P)
43	131422100	PAD-LEVELING LEG
44	5303309673	LEG-LEVELING,WITH PAD
45	131346400	PIN-LOCATING (S/P)
45	131346401	PIN-LOCATING (S/P)
46	134046600	BODY-WHITE (S/P)
47	131091001	BRACKET-MARRIAGE LH (S/P)
47	131106701	BRACKET-MARRIAGE RH (S/P)
50	134101800	LOCK-LID
53	134135800	PANEL-TOP WHITE (S/P)
54	3204394	DISPENSER-BLEACH (S/P)
55	5303212876	SPRING-LID
56	215822000	SCREW,PAN HEAD ,8-18AB X 0.375 ,39 (S/P)

Distribuidor Autorizado

SurteRápido.com

Venta de Refacciones  
Electrodomesticas

FLSG72GCS9 TINAS





## FLSG72GCS9 TINAS

3	131551103	COVER-SPLASH TUB
4	131212301	CAPACITOR (S/P)
6	131279600	HOSE-INLET (S/P)
7	5303161296	WASHER-INLET HOSE (S/P)
9	5303304824	CLAMP
10	131726300	HOSE AND NOZZLE
11	131427200	AGITATOR
12	131221310	TUB-SPIN (S/P)
13	5303283293	SCREW-TRUNNION,UNC2AX.625 ,.312-18 ,(5)
14	131192800	SCREW-LOCKPLATE,HX ,.312-18 X.1.625
15	137107000	LOCK PLATE
16	131545101	TRUNNION
17	131219900	FILTER-LINT (S/P)
18	131557201	TUB-SPLASH,WAIR DOME,BRNG (S/P)
20	3205150	SCREW-TUB BEARING,PPH B ST/Z (S/P)
21	5308002401	WASHER,SPIN BEARING ,UPPER
22	131373610	LEG & DOME ASSY
23	5303208858	SPRING-VERTICAL,SHORT
23	5303208860	SPRING-VERTICAL
24	131373900	SPRING-HORIZONTAL
26	3204405	BEARING-OUTER TUB
27	5303304825	SCREW-SET,HHD CUP PT , (S/P)
28	131686100	BELT-WASHER
29	131498300	PULLEY-TRANSMISSION
30	131862900	ARM-IDLER
31	3204423	PULLEY-MOTOR
32	3204424	PIN-ROLL (S/P)
33	3204425	SPRING-TORSION
34	3204426	SLEEVE-IDLER
35	3161433	RING-RETAINING
36	5303261031	WASHER-PIVOT SHAFT
37	5303161306	WASHER-SPRING
38	5303318708	NUT-MOTOR (S/P)

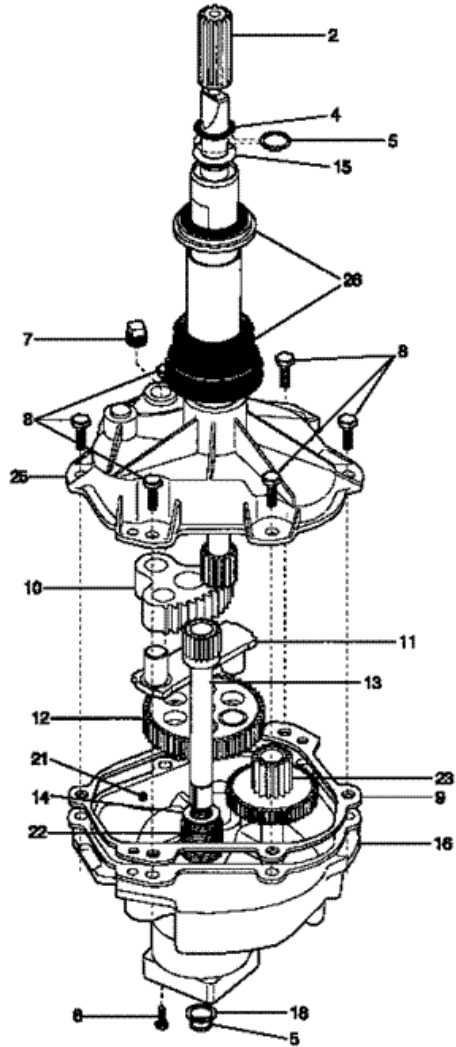
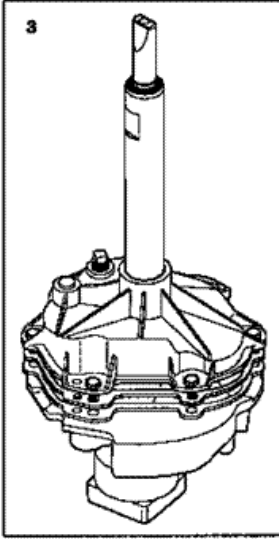
39	131205100	SCREW,8 PAN HEAD ,10-10B X 0.50 (S/P)
40	131653300	MOTOR-MAIN,3/4 HP ,WASHER ,2 SPEED
41	131583000	SHIELD-MOTOR (S/P)
43	131724000	ASMY-PUMP
47	5303294768	CLAMP-HOSE TO TUB (S/P)
48	131306234	CLAMP-PUMP (S/P)
49	131494800	HOSE-PUMP TO TUB
51	131659000	SCREW-LEG,HWH TYP23 ,5/16-18X.875 (S/P)
52	131315800	WASHER-LEG,IDX.040 ,1.25 ODX.335 (S/P)
53	5304401845	TUBE-PRESSURE
54	131266800	CAP-DISPENSER (S/P)
55	131206100	CUP-DISPENSER (S/P)
56	131468900	SCREW-AGITATOR,HWH SHLDR (S/P)
57	131339600	SPACER-AGITATOR (S/P)
58	131464900	SCREW-PUMP-TO BRACKET (S/P)
59	5303283052	CLIP-SHIELD (S/P)
62	131258400	SCREW-FRONT PNL,COMB TH AB (S/P)
68	131707800	RING-DRAIN HOSE,68 (S/P)
69	131731500	FASTENER-RATCHET (S/P)
45A	131462500	CLIP-DRAIN HOSE (S/P)
45B	131506500	CLIP-DRAIN HOSE (S/P)
45C	131461200	HOSE-DRAIN,90 INCH

Distribuidor Autorizado

SurteRápido.com

Venta de Refacciones  
Electrodomesticas

## FLSG72GCS9 TRANSMISION





## FLSG72GCS9 TRANSMISION

2	134418700	HUB-DRIVE
3	134736400	TRANSMISSION-COMPLETE
4	5303161307	SEAL-UPPER LIP
5	5303161223	RING-RETAINING
6	131346600	SCREW <b>(S/P)</b>
7	5303161224	PLUG-PIPE <b>(S/P)</b>
8	5308002804	SCREW-TRANSM. <b>(S/P)</b>
9	5308015778	GASKET
10	5308011268	GEAR-SECTOR
11	131632701	ROD-CONNECTING
12	5308015496	GEAR-CRANK
13	5308014905	SHAFT-LOWER <b>DESCONTINUADO</b>
14	5303161226	WASHER-THRUST <b>(S/P)</b>
15	5303161232	WASHER <b>DESCONTINUADO</b>
16	131557800	HOUSING-LOWER <b>DESCONTINUADO</b>
18	5308002475	WASHER-SPACER <b>(S/P)</b>
21	3005242	OIL-TRANSMISSION,1QT <b>(S/P)</b>
22	5303161174	SPRING-SMALL LGS
23	5303161175	GEAR-IDLER
25	131878301	HOUSING-UPPER <b>(S/P)</b>
26	5308950197	SEAL-TUB