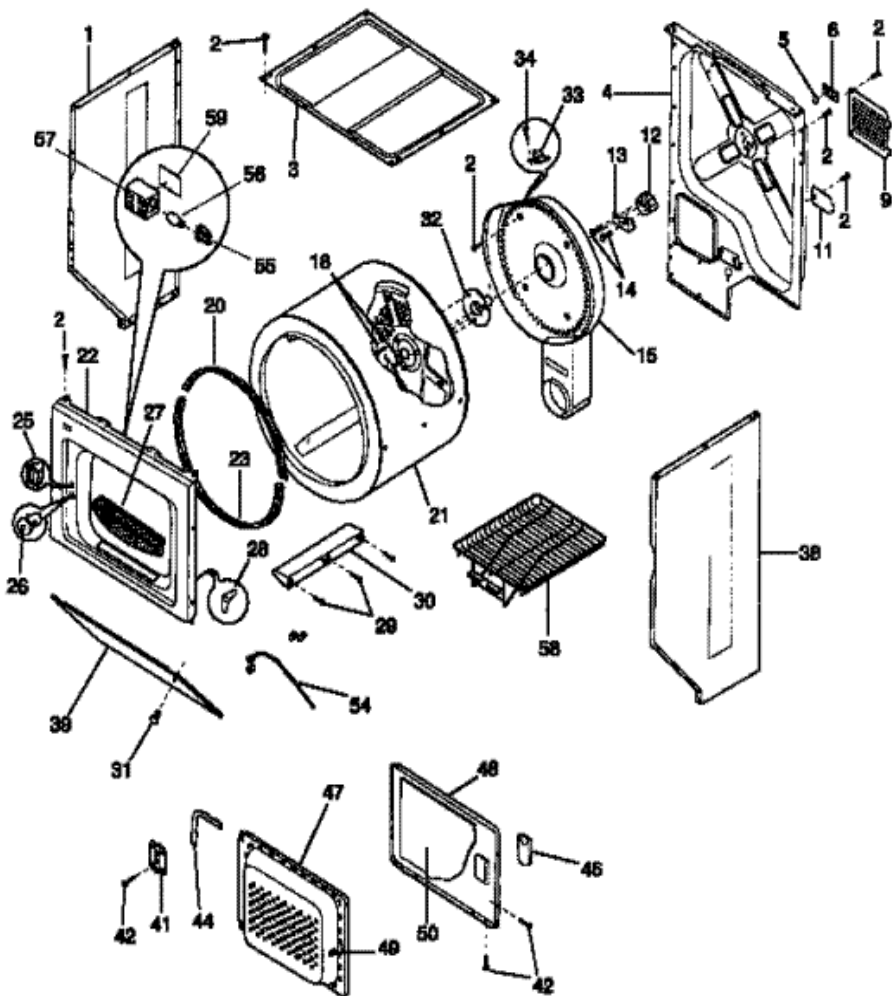


Distribuidor Autorizado

SurteRápido.com

Venta de Refacciones  
Electrodomesticas

# FLSG72GCT9 TAMBOR





## FLSG72GCT9 TAMBOR

1	131084701	PANEL-LEFT SIDE,ALMOND (S/P)
2	131168200	SCREW,8-18 X 0.31 (S/P)
3	131883301	PANEL,GALVANIZED (S/P)
4	134799902	PANEL-REAR (S/P)
5	5303281019	BALL (S/P)
6	5303281020	CLIP-BALL (S/P)
9	3204249	PANEL-ACCESS,DRYER (S/P)
11	5303207395	<b>DESCONTINUADO</b>
12	131825900	BEARING-SHAFT
13	131724300	BRACKET-BEARING (S/P)
14	131205400	SCREW-BRACKET,10-16B X 1.375 ,CR/SQ DRIVE (S/P)
15	5303207394	HOUSING-HEAT & DUCT (S/P)
18	131477000	SCREW-SHAFT&BAFFLE,COMB PH AB (S/P)
20	5303937139	GLIDE-DRUM (S/P)
21	134138200	ASMY-L/C DRUM (S/P)
22	134031700	PANEL-FRONT,ALMOND (S/P)
23	5303281049	SEAL-BASKET LOWER
25	131658800	CATCH-DOOR (S/P)
26	8006623	SWITCH-DOOR (S/P)
27	131359600	TRAP-LINT
28	5303281074	CLIP-GUIDE,(3)
29	131382300	SCREW-VANE,QUADREX HEAD , (S/P)
30	5303201200	VANE
31	131202300	SCREW-,PPH AB ,10-16 X 0.625 (S/P)
32	5303281153	SHAFT ASSY
33	5304406099	THERMOSTAT-SAFETY
34	131243700	SCREW,PAN HEAD , (S/P)
38	131084801	PANEL-RIGHT SIDE,ALMOND (S/P)
39	131084403	PANEL-ACCESS,ALMOND (S/P)
41	134222900	HINGE-DOOR (S/P)
42	131209600	SCREW,FLAT HEAD , (S/P)
44	131129900	GASKET-DOOR (S/P)
46	131789401	DOOR-HANDLE (S/P)

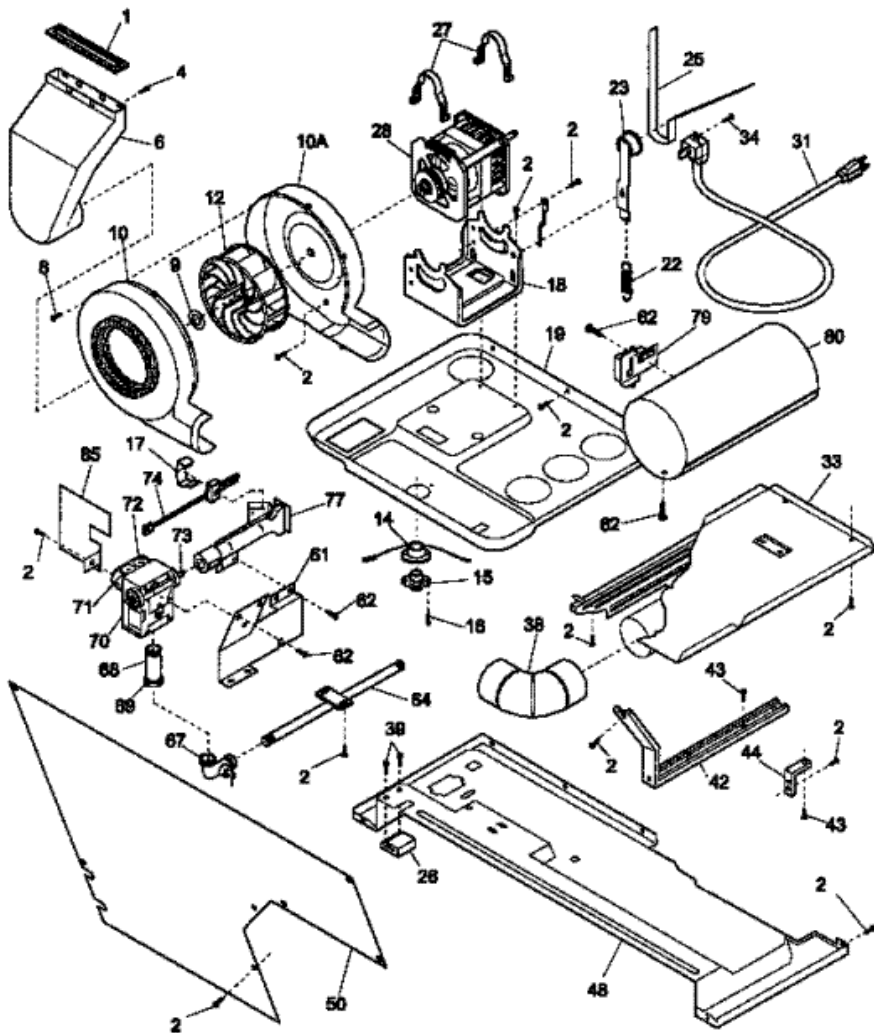
47	131579104	DOOR-INNER,ALMOND (S/P)
48	5304433068	DOOR-OUTER (S/P)
49	5303207102	STRIKE-DOOR (S/P)
50	134535300	SHIELD-HEAT (S/P)
54	131786300	HARNERR-DOOR SWITCH
55	131843500	RECEPTACLE-LAMP (S/P)
56	131862800	LAMP (S/P)
57	131843500	HOLDER-LAMP (S/P)
58	134121600	RACK-DRYING (S/P)
59	131843500	COVER-LAMP (S/P)

Distribuidor Autorizado

SurteRápido.com

Venta de Refacciones  
Electrodomesticas

## FLSG72GCT9 MOTOR





## FLSG72GCT9 MOTOR

1	131295200	SEAL-AIR DUCT (S/P)
2	131168200	SCREW,8-18 X 0.31 (S/P)
4	131362400	FASTENER (S/P)
6	134086300	DUCT-AIR
8	3205245	SCREW-BLOWER HSG, (S/P)
9	5303304824	CLAMP
10	131784500	ASMY,FRT BLWR HSG & SEAL
10	131575200	<b>DESCONTINUADO</b>
12	131476300	WHEEL-BLOWER
14	5303207400	THERMOSTAT-HEATER
15	131322600	THERMOSTAT-CONTROL,15
16	3204308	SCREW-THERMOSTAT,PPH CUP PT , (S/P)
17	131715500	CLIP-IGNITER (S/P)
18	131413600	CRADLE-MOTOR (S/P)
19	131363901	PAN-MOTOR CRADLE (S/P)
22	3205241	SPRING-IDLER (S/P)
23	131623300	ARM-IDLER & PULLEY
25	134503900	BELT-DRYER
26	5303212870	BLOCK-SUPPORT (S/P)
27	131419800	CLAMP-MOTOR (S/P)
28	5303937189	MOTOR & PULLEY
31	134099900	CORD-POWER
33	131731410	SHIELD-ACCESS (S/P)
34	131301100	SCREW-GROUND (S/P)
38	3204320	ELBOW-EXHAUST (S/P)
39	131205100	SCREW,8 PAN HEAD ,10-10B X 0.50 , (S/P)
42	5303306278	BRACKET-MARRIAGE (S/P)
43	131751500	SCREW 12-24 X .63 HEX HD (S/P)
44	3204326	BRACKET-EXTERNAL (S/P)
48	131731310	PAN-BOTTOM (S/P)
50	3204329	COVER-SAFETY (S/P)
61	5303207404	BRACKET-GAS VALVE (S/P)
62	215822000	SCREW,PAN HEAD , (S/P)

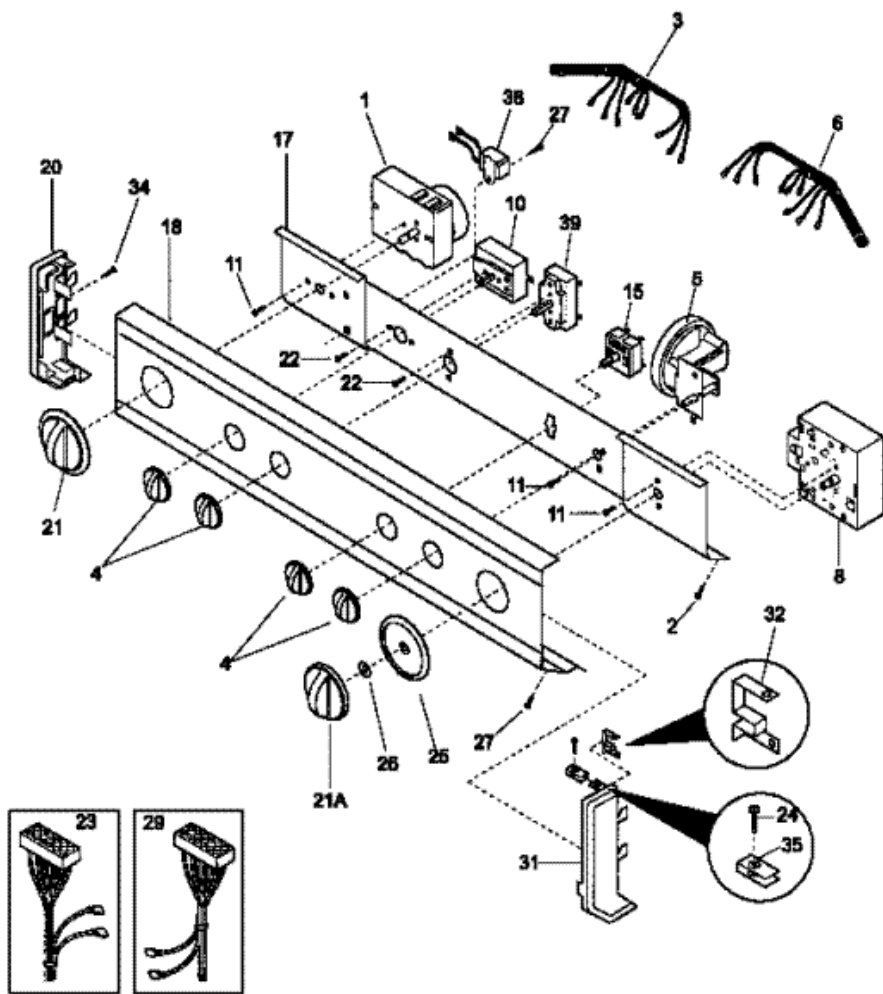
64	5303207405	PIPE <b>(S/P)</b>
67	131498500	VALVE-SHUT OFF <b>(S/P)</b>
68	5362791200	UNION-MALE CONNECTOR,BRASS <b>(S/P)</b>
69	8015194	NUT-UNION,HEX <b>(S/P)</b>
70	5303207409	VALVE-GAS
71	5303931775	COIL-SECONDARY
72	5303931775	COIL-BOOSTER
73	5303207410	ORIFICE,NATURAL GAS <b>(S/P)</b>
74	5303937186	IGNITOR ASSY <b>(S/P)</b>
77	131763500	ASMY-BURNER <b>(S/P)</b>
79	5303281135	SENSOR <b>(S/P)</b>
80	131712401	TUBE-BURNER <b>(S/P)</b>
85	131712300	SHIELD-HEAT <b>(S/P)</b>
*76840	131453000	BUSHING-DRAIN HOSE <b>(S/P)</b>

Distribuidor Autorizado

SurteRápido.com

Venta de Refacciones  
Electrodomesticas

# FLSG72GCT9 TABLERO





## FLSG72GCT9 TABLERO

1	131583801	TIMER-DRYER P GAS
2	131168200	SCREW,8-18 X 0.31 (S/P)
3	131703600	HARN-CONT-LCD PH GAS (S/P)
4	131873403	KNOB-ROTARY,ALMOND (S/P)
5	134493500	SWITCH-PRESSURE
6	131668500	HARNES-CONT WSHR (S/P)
8	131437500	TIMER-WASHER
10	131447500	SWITCH-START
11	5303283289	SCREW,CR PAN HEAD ,8-32 X 0.25 (S/P)
15	131621100	SWITCH-WATER TEMP
17	131712711	BRACKET-CONTROLS (S/P)
18	131621600	PANEL-CONTROL,ALMOND (S/P)
20	131288103	END CAP,ALMOND LH
21	131873303	KNOB-TIMER DRYER,ALMOND (S/P)
21	131167603	KNOB-TIMER WASHER,ALMOND (S/P)
22	3161259	SCREW-SWITCH,6-32 X .19-2A ,(2) (S/P)
23	131658300	HARNESS-MAIN,DRYER (S/P)
24	131209600	SCREW,FLAT HEAD ,8-18AB X 0.44 (S/P)
25	131167703	DIAL-TIMERR,ALMOND ,WASHER (S/P)
26	3205248	SPACER-TIMER SHAFT (S/P)
27	3205253	SCREW-END CAP,PPH B ,6-20X.375 (S/P)
29	131778800	HARN-LWR WSHR (S/P)
31	131288213	END CAP,ALMOND RH (S/P)
32	3204357	CLIP-GROUNDING (S/P)
34	131243700	SCREW,PAN HEAD ,8-18AB X 0.375 ,39 (S/P)
35	131063700	CLIP-END CAP (S/P)
38	5303286537	BUZZER (S/P)
39	134399800	SWITCH-DRYER TEMP
*76842	5303161300	STRAP (S/P)
*76841	131209800	CLAMP-SW.PRESSURE (S/P)

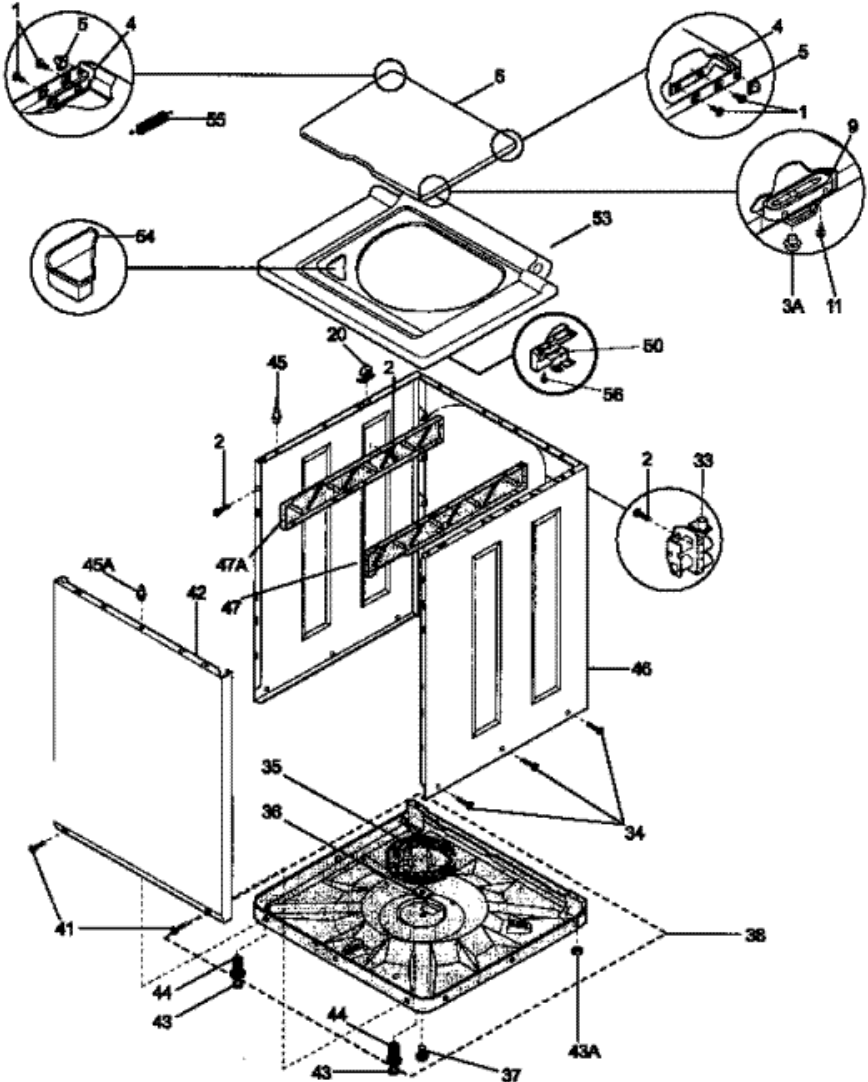


Distribuidor Autorizado

SurteRápido.com

Venta de Refacciones  
Electrodomesticas

# FLSG72GCT9 GABINETE





## FLSG72GCT9 GABINETE

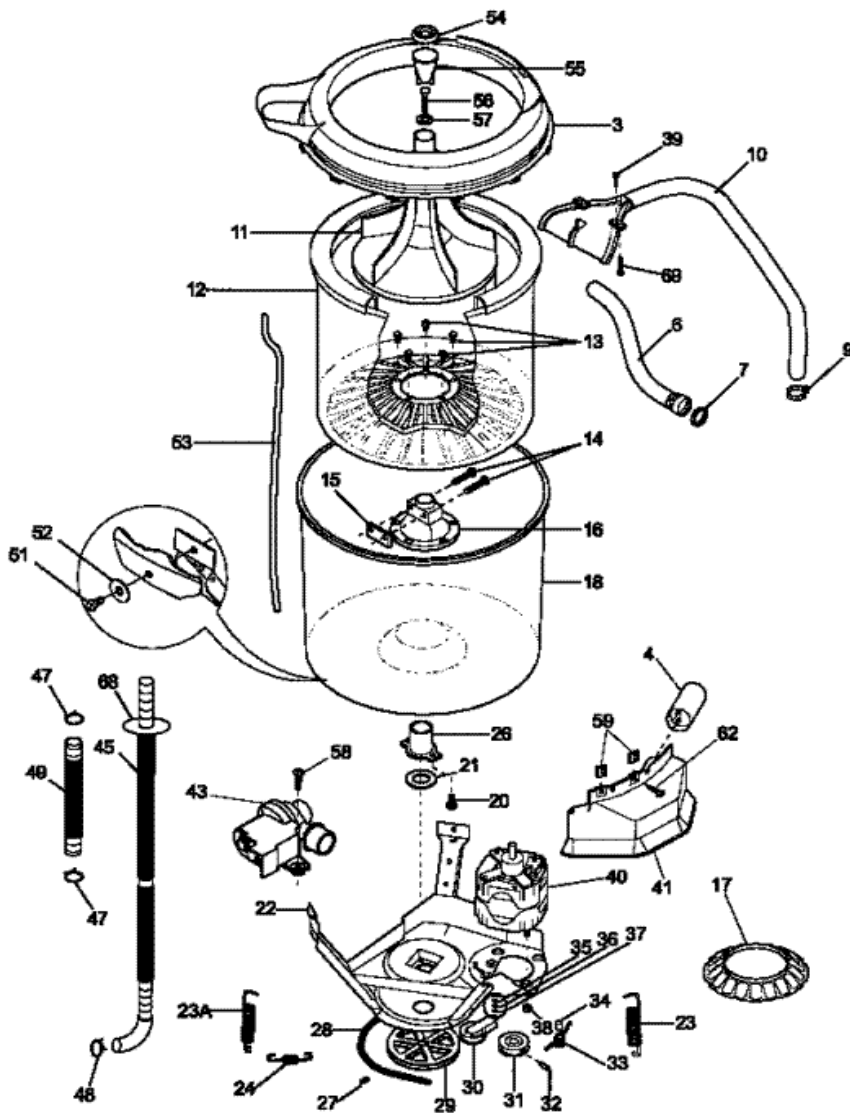
1	131587500	SCREW-HINGE,PPH 45DEG HDRPT (S/P)
2	131168200	SCREW,8-18 X 0.31 (S/P)
3	134075500	BUMPER-LID
4	3205250	HINGE-BAR (S/P)
5	3204362	GROMMET-HINGE (S/P)
6	5303212873	LID-ALMOND (S/P)
9	131390000	STRIKE-LID
11	3204368	SCREW-STRIKE,PFH B ,6-20X.375 (S/P)
20	3204374	PIN-SLIDE (S/P)
33	134190200	VALVE-WATER
34	131205500	SCREW-BODY,1/4-14 X 0.625 (S/P)
35	5308002385	RING-SNUBBER
36	3204380	BLOCK-SHIPPING (S/P)
37	131658900	SCREW-SHIPPING (S/P)
38	5303311213	BASE ASSEMBLY (S/P)
41	131258400	SCREW-FRONT PNL,COMB TH AB (S/P)
42	131104305	PANEL-FRONT,ALMOND (S/P)
43	131422200	PAD-LEVEL LEG (S/P)
43	131422100	PAD-LEVELING LEG (S/P)
44	5303309673	LEG-LEVELING,WITH PAD (S/P)
45	131346400	PIN-LOCATING (S/P)
45	131346401	PIN-LOCATING (S/P)
46	134046602	BODY-ALMOND (S/P)
47	131091001	BRACKET-MARRIAGE LH (S/P)
47	131106701	BRACKET-MARRIAGE RH (S/P)
50	134101800	LOCK-LID (S/P)
53	134136000	PANEL-TOP,ALMOND (S/P)
54	3204394	DISPENSER-BLEACH (S/P)
55	134890500	SPRING-LID (S/P)
56	131243700	SCREW,PAN HEAD (S/P)
*76843	131453000	BUSHING-DRAIN HOSE (S/P)
*76844	5303309503	CLIP-BACKSHEET (S/P)

Distribuidor Autorizado

SurteRápido.com

Venta de Refacciones  
Electrodomesticas

# FLSG72GCT9 TINAS





## FLSG72GCT9 TINAS

3	131551103	COVER-SPLASH TUB
4	131212301	CAPACITOR <b>(S/P)</b>
6	131279600	HOSE-INLET <b>(S/P)</b>
7	5303161296	WASHER-INLET HOSE <b>(S/P)</b>
9	5303304824	CLAMP
10	131726300	HOSE AND NOZZLE
11	131427200	AGITATOR
12	131221300	TUB-SPIN <b>(S/P)</b>
13	5303283293	SCREW-TRUNNION,UNC2AX.625 ,.312-18 ,(5)
14	131192800	SCREW-LOCKPLATE,HX ,.312-18 X.1.625
15	5308001923	LOCK PLATE
16	131545101	TRUNNION
17	131219900	FILTER-LINT <b>(S/P)</b>
18	131557201	TUB-SPLASH,WAIR DOME,BRNG <b>(S/P)</b>
20	3205150	SCREW-TUB BEARING,PPH B <b>(S/P)</b>
21	5308002401	WASHER,SPIN BEARING ,UPPER
22	131373610	LEG & DOME ASSY
23	5303208858	SPRING-VERTICAL,SHORT
23	5303208860	SPRING-VERTICAL
24	131373900	SPRING-HORIZONTAL
26	3204405	BEARING-OUTER TUB
27	5303304825	SCREW-SET,HHD CUP PT ,5/16-18X.85 <b>(S/P)</b>
28	131686100	BELT-WASHER
29	131498300	PULLEY-TRANSMISSION
30	131862900	ARM-IDLER
31	3204423	PULLEY-MOTOR
32	3204424	PIN-ROLL <b>(S/P)</b>
33	3204425	SPRING-TORSION
34	3204426	SLEEVE-IDLER
35	3161433	RING-RETAINING
36	5303261031	WASHER-PIVOT SHAFT
37	5303161306	WASHER-SPRING
38	5303318708	NUT-MOTOR <b>(S/P)</b>

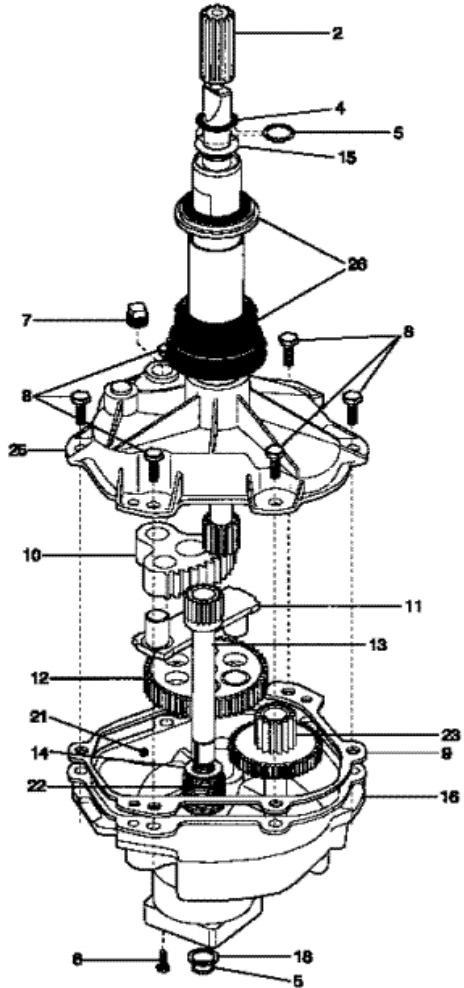
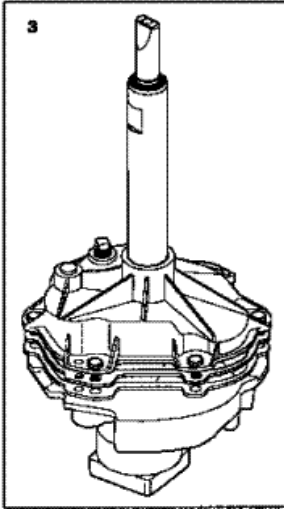
39	131205100	SCREW,8 PAN HEAD <b>(S/P)</b>
40	131902700	MOTOR-MAIN,3/4 HP ,WASHER ,2 SPEED
41	131513300	SHIELD-MOTOR <b>(S/P)</b>
43	134051200	ASMY-PUMP
47	131306234	CLAMP-HOSE TO TUB <b>(S/P)</b>
48	131306234	CLAMP-PUMP <b>(S/P)</b>
49	131494800	HOSE-PUMP TO TUB
51	131659000	SCREW-LEG,HWH TYP23 ,5/16-18X.875 <b>(S/P)</b>
52	3005891	WASHER-LEG,IDX.040 ,1.25 ODX.335 <b>(S/P)</b>
53	5304401845	TUBE-PRESSURE
54	131266800	CAP-DISPENSER <b>(S/P)</b>
55	131206100	CUP-DISPENSER <b>(S/P)</b>
56	131468900	SCREW-AGITATOR,HWH SHLDR <b>(S/P)</b>
57	131339600	SPACER-AGITATOR <b>(S/P)</b>
58	131464900	SCREW-PUMP-TO BRACKET <b>(S/P)</b>
59	5303283052	CLIP-SHIELD <b>(S/P)</b>
62	131258400	SCREW-FRONT PNL,COMB <b>(S/P)</b>
68	131707800	RING-DRAIN HOSE,68 <b>(S/P)</b>
69	131731500	FASTENER-RATCHET <b>(S/P)</b>
45C	131461200	HOSE-DRAIN,90 INCH
45A	131462500	CLIP-DRAIN HOSE <b>(S/P)</b>
45B	131506500	CLIP-DRAIN HOSE <b>(S/P)</b>
*76845	5303212877	INSERT-SPRING ADJ

Distribuidor Autorizado

SurteRápido.com

Venta de Refacciones  
Electrodomesticas

## FLSG72GCT9 TRANSMISION





## FLSG72GCT9 TRANSMISION

2	134418700	HUB-DRIVE
3	134736400	TRANSMISSION-COMPLETE
4	5303161307	SEAL-UPPER LIP
5	5303161223	RING-RETAINING
6	131346600	SCREW <b>(S/P)</b>
7	5303161224	PLUG-PIPE <b>(S/P)</b>
8	5308002804	SCREW-TRANSM. <b>(S/P)</b>
9	5308015778	GASKET
10	5308011268	GEAR-SECTOR
11	131632701	ROD-CONNECTING
12	5308015496	GEAR-CRANK
13	5308014905	SHAFT-LOWER <b>(S/P)</b>
14	5303161226	WASHER-THRUST <b>(S/P)</b>
15	5303161232	WASHER <b>(S/P)</b>
16	131557800	HOUSING-LOWER <b>(S/P)</b>
18	5308002475	WASHER-SPACER <b>(S/P)</b>
21	3005242	OIL-TRANSMISSION,1QT <b>(S/P)</b>
22	5303161174	SPRING-SMALL LGS
23	5303161175	GEAR-IDLER
25	131878301	HOUSING-UPPER <b>(S/P)</b>
26	5308950197	SEAL-TUB
*76847	131661200	LABEL-WARNING <b>(S/P)</b>
*76846	131381400	LABEL-CAUTION <b>(S/P)</b>