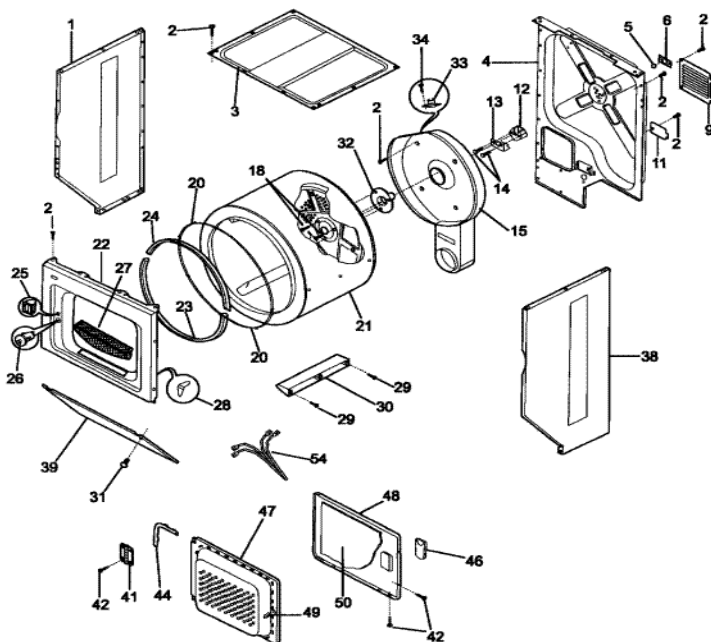


Distribuidor Autorizado

SurteRápido.com

Venta de Refacciones
Electrodomesticas

FLXG42MRES2 TAMBOR





FLXG42MRES2 TAMBOR

1	131084710	PANEL-LEFT SIDE,WHITE (S/P)
2	131168200	SCREW,8-18 X 0.31 ,12 (S/P)
3	131883301	PANEL-TOP WASHED (S/P)
4	134799902	PANEL-REAR (S/P)
5	5303281019	BALL (S/P)
6	5303281020	CLIP-BALL (S/P)
9	3204249	PANEL-ACCESS,DRYER (S/P)
11	5303207395	DESCONTINUADO
12	131825900	BEARING-DRUM SUPPORT
13	131724300	BRACKET-BEARING (S/P)
14	131205400	SCREW-BRACKET,10-16B X 1.375 ,CR/SQ DRIVE (S/P)
15	5303207394	HOUSING-HEAT & DUCT (S/P)
18	131477000	SCREW-SHAFT&BAFFLE,COMB PH AB SPCL (S/P)
20	5303937182	FELT-UPPER
21	134122532	ASMY-DRUM GALVANIZED,21 (S/P)
22	134031600	PANEL-FRONT (S/P)
23	5303937183	LOWER FELT
24	131963900	GLIDE-DRUM
25	131658800	CATCH-DOOR (S/P)
27	131359600	TRAP-LINT
28	5303281074	CLIP-GUIDE,(3)
29	131382300	SCREW-VANE,QUADREX HEAD ,(S/P)
30	5303201200	VANE
31	131202300	SCREW-,PPH AB ,10-16 X 0.625 (S/P)
32	5303281153	ASMY-SHAFT (BALLHITCH)
33	5304406099	THERMOSTAT-SAFETY
34	215822000	SCREW,PAN HEAD ,8-18AB X 0.375 ,39 ,(S/P)
38	131084800	PANEL-RIGHT SIDE,WHITE (S/P)
39	131084402	PANEL-ACCESS,WHITE (S/P)
41	134222900	HINGE-DOOR (S/P)
42	131209600	SCREW,FLAT HEAD ,8-18AB X 0.44 ,(S/P)
44	131129900	GASKET-DOOR
46	131789400	HANDLE-DOOR,WHITE (S/P)

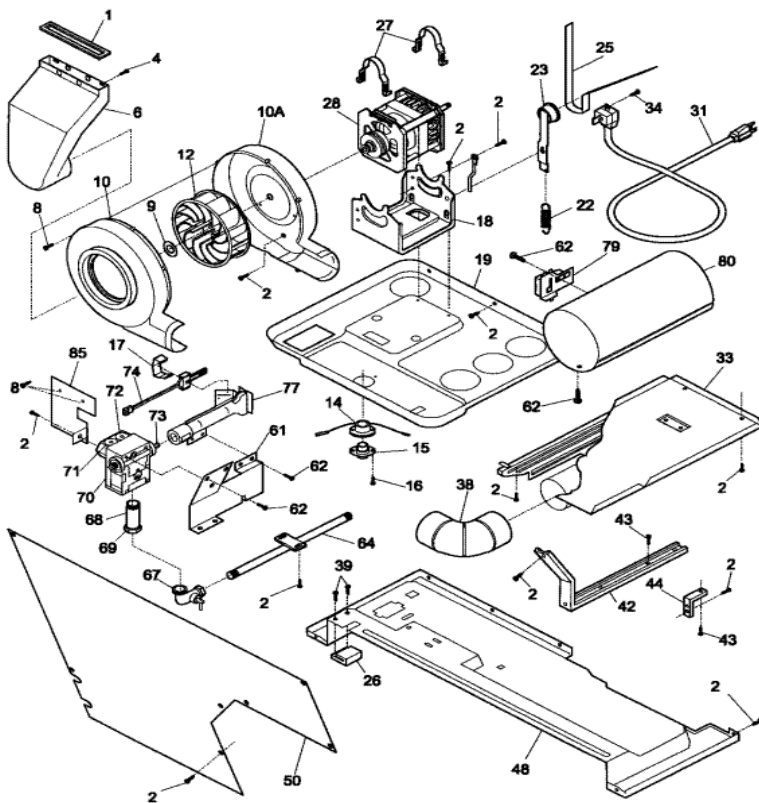
47	131579103	DOOR-INNER, WHITE (S/P)
48	131789303	DOOR-OUTER, WHITE (S/P)
49	5303207102	STRIKE-DOOR (S/P)
50	134535300	SHIELD-HEAT (S/P)
F54	131498900	HARNESS-DOOR SWITCH (S/P)
F26	5308001614	SWITCH-DOOR

Distribuidor Autorizado

SurteRápido.com

Venta de Refacciones
Electrodomesticas

FLXG42MRES2 MOTOR





FLXG42MRES2 MOTOR

1	131295200	SEAL-AIR DUCT (S/P)
2	131168200	SCREW,8-18 X 0.31 ,12 (S/P)
4	131362400	FASTENER (S/P)
6	134086300	DUCT-AIR
8	3205245	SCREW,PPH AB ST/Z/CH ,6-18X.60 (S/P)
9	5303304824	CLAMP
10	131784500	ASMY,FRT BLW HSG/SEAL
12	131476300	WHEEL-BLOWER
14	131658101	THERMOSTAT-HEATER
16	3204308	SCREW-THERMOSTAT,PPH CUP PT ,8-18X.625 (S/P)
17	131715500	CLIP-IGNITER (S/P)
18	131413600	CRADLE & STUD (S/P)
19	131363901	PAN-MOTOR CRADLE (S/P)
22	3205241	SPRING-IDLER (S/P)
23	131623300	IDLER & PULLEY ASSY
26	5303212870	BLOCK-SUPPORT (S/P)
27	131419800	CLAMP-MOTOR (S/P)
31	134099900	SERVICE CORD GAS L/C (NOM)
33	131731410	SHIELD-ACCESS (S/P)
34	131301100	SCREW-GROUND CAB,HEX WASHER HEAD (S/P)
38	3204320	ELBOW-EXHAUST (S/P)
39	131205100	SCREW,NO.8 PAN HEAD ,10-10B X 0.50 ,(S/P)
42	5303306278	BRACKET-MARRIAGE (S/P)
43	131751500	SCREW NO.12-24 X .63 HEX HD (S/P)
44	3204326	BRACKET-EXTERNAL (S/P)
48	131731310	PAN-BOTTOM (S/P)
50	3204329	COVER-SAFETY (S/P)
61	5303207404	BRACKET-GAS VALVE (S/P)
62	215822000	SCREW,PAN HEAD ,8-18AB X 0.375 ,39 , (S/P)
64	134145200	DESCONTINUADO
67	131498500	VALVE-SHUT OFF (S/P)
68	5362791200	TAIL PIECE,BRASS (S/P)
69	8015194	NUT-UNION,HEX (S/P)

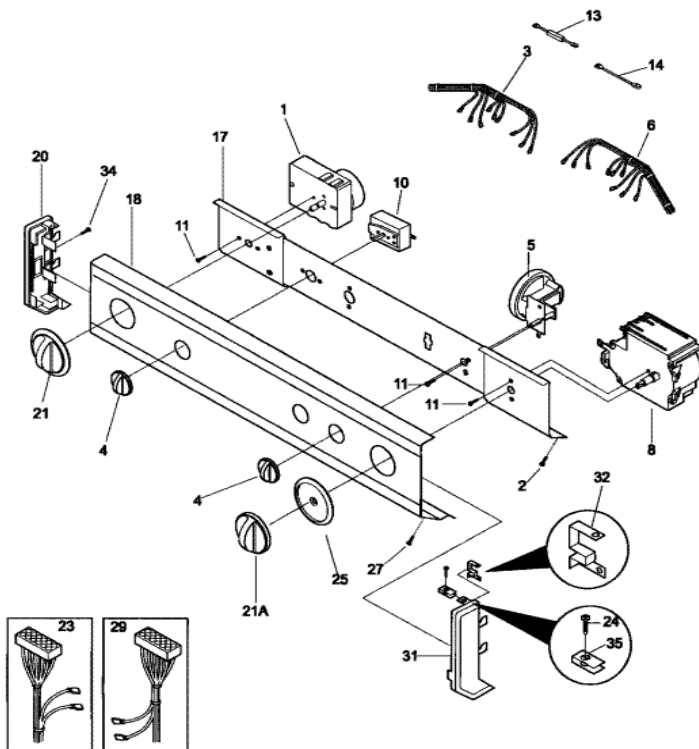
70	5303207409	VALVE-GAS
71	5303931775	COIL-SECONDARY
72	5303931775	COIL-BOOSTER
73	5303207410	ORIFICE,NATURAL GAS (S/P)
77	131763500	ASSY-BURNER (S/P)
79	5303281135	SENSOR (S/P)
85	131712300	SHIELD-HEAT (S/P)
F80	131712401	TUBE-BURNER (S/P)
F74	5303937186	IGNITOR ASSY (S/P)
F28	5303937189	MOTOR & PULLEY
F15	131322600	THERMOSTAT-CONTROL,15 NO.
10A	131784500	HOUSING-BLOWER,REAR
F25	134503900	BELT-DRYER
NI	PCK3100	LP CONVERSION KIT,NATURAL TO LP

Distribuidor Autorizado

SurteRápido.com

Venta de Refacciones
Electrodomesticas

FLXG42MRES2 TABLERO





FLXG42MRES2 TABLERO

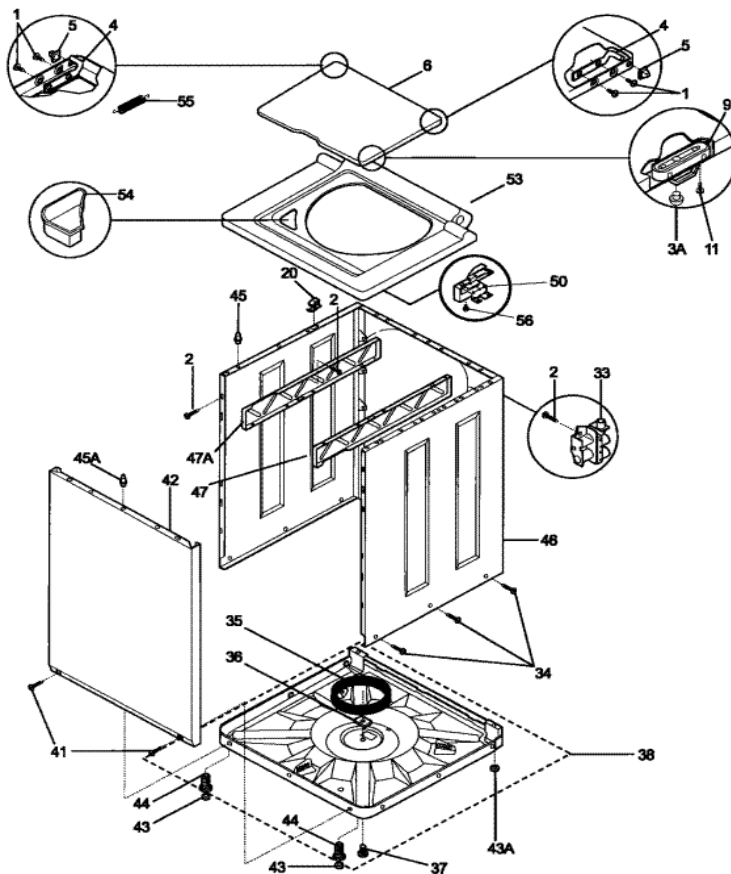
2	131168200	SCREW,8-18 X 0.31 ,12 (S/P)
3	131956300	HARN-DRYER CONT L/C GJ GAS TTS (S/P)
4	131873401	KNOB-ROTARY
6	134542400	LCW CONTROL HARN W/O TEMP SW (S/P)
8	131964100	TIMER ELEC H MALLORY-DELTA
11	5303283289	SCREW,CR PAN HEAD ,8-32 X 0.250 (S/P)
17	134263400	BRKT-CONT MTG WELD-TURN/START (S/P)
18	131955200	TRIMPLATE FDG8GJNH (S/P)
20	131288101	END CAP,WHITE ,LH
21	131873301	ASMY-KNOB/IND
24	131209600	SCREW,FLAT HEAD ,8-18AB X 0.44 , (S/P)
25	131976801	PNTR-WHT/BLUE IND-LC WSHR R1
27	3205253	SCREW-END CAP,PPH B ,6-20X.375 (S/P)
31	131288211	END CAP,WHITE ,RH (S/P)
32	3204357	CLIP-GROUNDING (S/P)
34	131243700	SCREW,PAN HEAD ,8-18AB X 0.375 ,39 , (S/P)
35	131063700	CLIP-END CAP (S/P)
NI	5303161300	STRAP (S/P)
NI	131209800	CLAMP-SW.PRESSURE (S/P)
F1	131225400	TIMER
F5	134422700	SWITCH-PRESSURE
F10	131447500	SWITCH-START
F29	134689400	HARN-LWR WSHR L/C EMERSON 2SPD (S/P)
21A	131977201	KNOB-WHT-LC WSH TIMER G1/R1
F23	131848700	HARNES-LCD MAIN GAS (S/P)

Distribuidor Autorizado

SurteRápido.com

Venta de Refacciones
Electrodomesticas

FLXG42MRES2 GABINETE





FLXG42MRES2 GABINETE

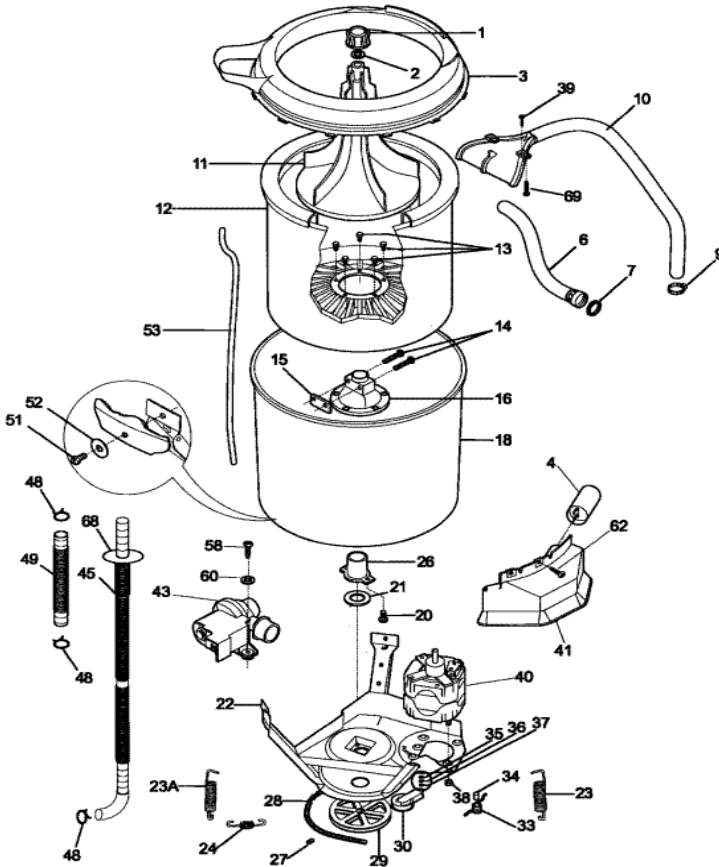
1	131587500	SCREW-HINGE,PPH 45DEG HDRPT (S/P)
2	131168200	SCREW,8-18 X 0.31 ,12 (S/P)
4	3205250	HINGE-BAR (S/P)
5	3204362	GROMMET-HINGE (S/P)
6	5303212872	LID-WHITE (S/P)
9	131390000	STRIKE-LID
11	3204368	SCREW-STRIKE,PFH B ,6-20X.375 (S/P)
20	3204374	PIN-SLIDE (S/P)
34	131205500	SCREW-BODY,1/4-14 X 0.625 (S/P)
35	5308002385	RING-SNUBBER
36	3204380	BLOCK-SHIPPING (S/P)
37	131658900	SCREW-SHIPPING (S/P)
38	5303311213	BASE ASSEMBLY
41	131258400	SCREW-FRONT PNL,COMB TH AB (S/P)
42	131104303	PANEL-FRONT,WHITE (S/P)
43	131422100	PAD-LEVELING LEG
44	5303309673	LEG-LEVELING,WITH PAD
45	131346400	PIN-LOCATING (S/P)
46	134046600	ASMY-CABINET 3 PC-WHITE (S/P)
47	131106701	BRACKET-MARRIAGE RH (S/P)
53	134135800	PANEL-TOP WHITE (S/P)
54	3204394	DISPENSER-BLEACH (S/P)
55	134890500	SPRING-LID
56	131243700	SCREW,PAN HEAD ,8-18AB X 0.375 ,39 (S/P)
F50	134101800	LID LOCK W/EXTERNAL SW
43A	131422200	PAD-LEVEL LEG (S/P)
45A	131346401	PIN-LOCATING (S/P)
47A	131091001	BRACKET-MARRIAGE LH (S/P)
3A	134075500	BUMPER-LID
F33	134190200	VALVE-WATER

Distribuidor Autorizado

SurteRápido.com

Venta de Refacciones
Electrodomesticas

FLXG42MRES2 TINA



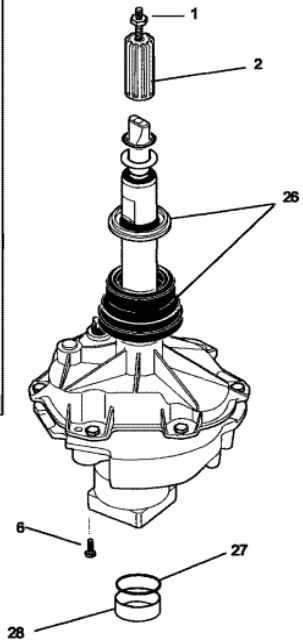
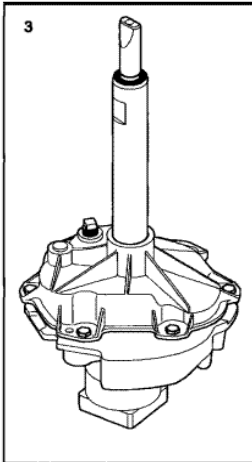


FLXG42MRES2 TINA

1	3204395	CAP-AGITATOR
2	3204396	SEAL-CAP
3	131398303	ASMY-SPLASH TUB COVER H
4	131212301	CAPACITOR (S/P)
6	N6561384	HOSE-INLET (S/P)
7	5303161296	WASHER-INLET HOSE (S/P)
9	5303304824	CLAMP
10	131726300	HOSE,NOZZLE, & CLAMP
11	3204401	ASSY-AGITATOR-STANDARD-SLIM (S/P)
12	131370400	TUB-SPIN,AND TRUNNION
13	5303283293	SCREW-TRUNNION,UNC2AX.625 ,.312-18 ,(5)
14	131192800	SCREW-LOCKPLATE,HX ,.312-18 X.1.625
15	5308001923	LOCK PLATE
16	131545101	TRUNNION
18	131557201	TUB-SPLASH,W/AIR DOME,BRNG (S/P)
20	3205150	SCREW-TUB BEARING,PPH B ST/Z ,(S/P)
21	5308002401	WASHER,SPIN BEARING ,UPPER
22	131373610	LEG & DOME ASSY
23	5303208858	SPRING-VERTICAL,SHORT
24	131373900	SPRING-HORIZONTAL
26	3204405	BEARING-OUTER TUB
27	5303304825	SCREW-SET,HHD CUP PT ,5/16-18X.85 (S/P)
29	131498300	PULLEY-TRANSMISSION DRIVE
30	131862900	ASMY-VAW IDLER ARM
33	3204425	SPRING-TORSION
34	3204426	SLEEVE-IDLER
35	3161433	RING-RETAINING
36	5303261031	WASHER-PIVOT SHAFT
37	5303161306	WASHER-SPRING
38	5303318708	NUT-MOTOR (S/P)
39	131205100	SCREW,NO.8 PAN HEAD ,10-10B X 0.50 (S/P)
40	134156400	MTR/PULLEY 1SP 1/2HP EMERSON

41	131513300	SHIELD-MOTOR (S/P)
45	134049200	HOSE-DRAIN
48	131306234	CLAMP-PUMP (S/P)
51	131659000	SCREW-LEG,HWH TYP23 ,5/16-18X.875 (S/P)
52	3005891	WASHER-LEG,IDX.040 ,1.25 ODX.335 (S/P)
53	5304401845	TUBE-PRESSURE
58	131303100	SCREW,HWH AB ,10-16X.625 (S/P)
60	5303304015	WASHER .21X.71X.06 (S/P)
62	131258400	SCREW-FRONT PNL,COMB TH AB ,10-16 X 0.500 (S/P)
68	131707800	RING-DRAIN HOSE (S/P)
69	131731500	FASTENER-RATCHET (S/P)
F49	131494800	HOSE-PUMP TO TUB
F28	131686100	BELT-WASHER
NI	131663500	CUSHION (S/P)
NI	131506500	CLIP-DRAIN HOSE (S/P)
NI	131901400	SEAL-SPLASH TUB COVER
NI	5303212877	INSERT-SPRING ADJ
NI	131462500	CLIP-DRAIN HOSE (S/P)
F43	134051200	PUMP-DRAIN-ASKOLL
23A	5303208860	SPRING-VERTICAL

FLXG42MRES2 TRANSMISION





FLXG42MRES2 TRANSMISION

1	131206800	STUD-AGITATOR CAP (S/P)
2	134418700	HUB-DRIVE,AGITATOR
6	131346600	SCREW (S/P)
26	5308950197	SEAL-TUB
27	131784300	DESCONTINUADO
28	131784400	SPACER-TRANS BRG BLOCK-KOYO (S/P)