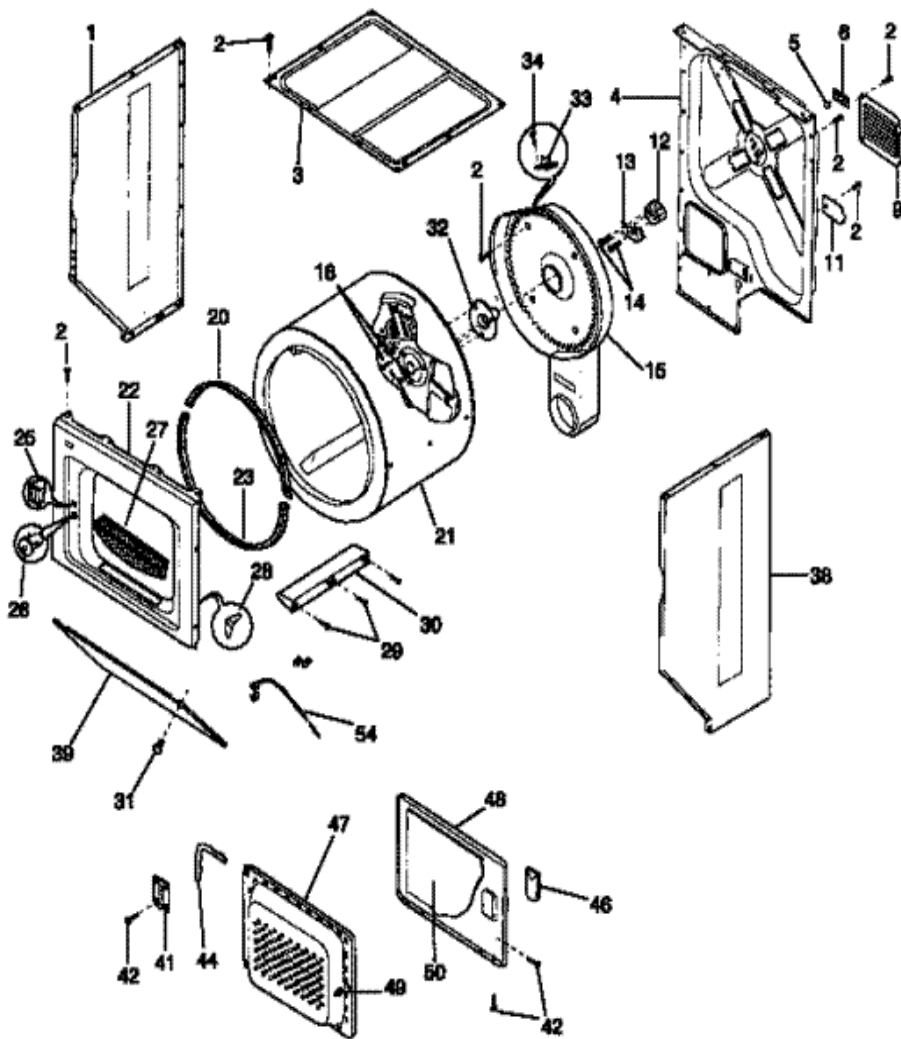


Distribuidor Autorizado

SurteRápido.com

Venta de Refacciones
Electrodomesticas

FLXG52RBS7 TAMBOR





FLXG52RBS7 TAMBOR

1	131084710	PANEL-LEFT SIDE,WHITE (S/P)
2	131168200	SCREW,8-18 X 0.31 (S/P)
3	131883301	PANEL,GALVANIZED (S/P)
4	134799902	PANEL-REAR (S/P)
5	5303281019	BALL (S/P)
6	5303281020	CLIP-BALL (S/P)
9	3204249	PANEL-ACCESS,DRYER (S/P)
11	5303207395	DESCONTINUADO
12	131825900	BEARING-SHAFT
13	131724300	BRACKET-BEARING (S/P)
14	131205400	SCREW-BRACKET,10-16B X 1.375 ,CR/SQ DRIVE (S/P)
15	5303207394	HOUSING-HEAT & DUCT (S/P)
18	131477000	SCREW-SHAFT&BAFFLE, (S/P)
20	5303937139	GLIDE-DRUM (S/P)
21	134138200	ASMY-L/C DRUM (S/P)
22	134031600	PANEL-FRONT,WHITE ,DRYER (S/P)
23	5303281049	SEAL-BASKET LOWER
25	131658800	CATCH-DOOR (S/P)
26	5308001614	SWITCH-DOOR (S/P)
27	131359600	TRAP-LINT
28	5303281074	CLIP-GUIDE,(3)
29	131382300	SCREW-VANE,QUADREX HEAD , (S/P)
30	5303201200	VANE
31	131202300	SCREW-,PPH AB ,10-16 X 0.625 (S/P)
32	5303281153	SHAFT ASSY
33	5304406099	THERMOSTAT-SAFETY
34	131243700	SCREW,PAN HEAD , (S/P)
38	131084800	PANEL-RIGHT SIDE,WHITE (S/P)
39	131084402	PANEL-ACCESS,WHITE (S/P)
41	134222900	HINGE-DOOR (S/P)
42	131209600	SCREW,FLAT HEAD ,8-18AB X 0.44 , (S/P)
44	131129900	GASKET-DOOR (S/P)
46	131789400	HANDLE-DOOR, WHITE (S/P)
47	131579103	DOOR-INNER,WHITE (S/P)

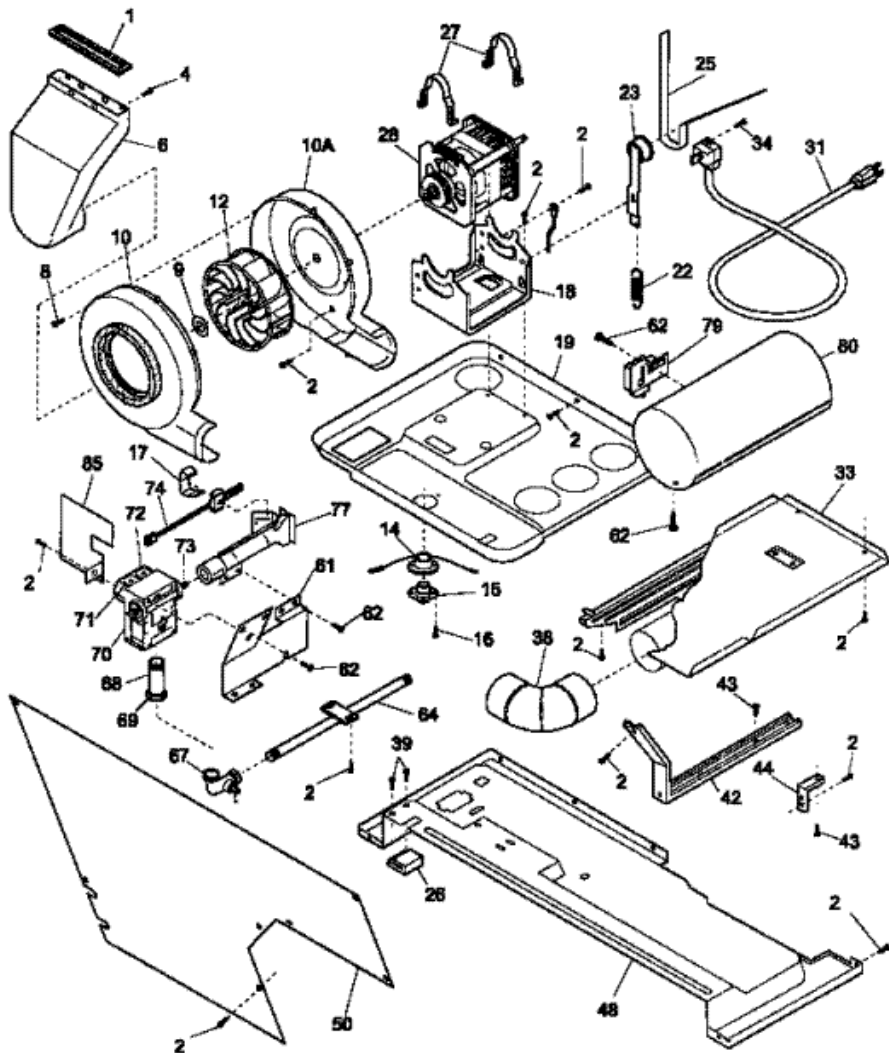
48	131789303	DOOR-OUTER, WHITE (S/P)
49	5303207102	STRIKE-DOOR (S/P)
50	134535300	SHIELD-HEAT (S/P)
54	131498900	HARNESS-DOOR SWITCH (S/P)

Distribuidor Autorizado

SurteRápido.com

Venta de Refacciones
Electrodomesticas

FLXG52RBS7 MOTOR





FLXG52RBS7 MOTOR

1	131295200	SEAL-AIR DUCT (S/P)
2	131168200	SCREW,8-18 X 0.31 (S/P)
4	131362400	FASTENER (S/P)
6	134086300	DUCT-AIR (S/P)
8	3205245	SCREW-BLOWER HSG,PPH AB ST/Z/CH (S/P)
9	5303304824	CLAMP
10	131784500	ASMY,FRT BLWR HSG & SEAL (S/P)
12	131476300	WHEEL-BLOWER
14	5303207400	THERMOSTAT-HEATER (S/P)
15	5303306284	THERMOSTAT-CONTROL
16	3204308	SCREW-THERMOSTAT,PPH CUP PT , (S/P)
17	131715500	CLIP-IGNITER (S/P)
18	131413600	CRADLE-MOTOR (S/P)
19	131363901	PAN-MOTOR CRADLE (S/P)
22	3205241	SPRING-IDLER (S/P)
23	131623300	ARM-IDLER & PULLEY
25	134503900	BELT-DRYER
26	5303212870	BLOCK-SUPPORT (S/P)
27	131419800	CLAMP-MOTOR (S/P)
28	5303937189	MOTOR & PULLEY
31	134099900	CORD-POWER (S/P)
33	131731410	SHIELD-ACCESS (S/P)
34	131301100	SCREW-GROUND CAB (S/P)
38	3204320	ELBOW-EXHAUST (S/P)
39	131205100	SCREW,8 PAN HEAD , (S/P)
42	5303306278	BRACKET-MARRIAGE (S/P)
43	131751500	SCREW 12-24 X .63 HEX HD (S/P)
44	3204326	BRACKET-EXTERNAL (S/P)
48	131731310	PAN-BOTTOM (S/P)
50	3204329	COVER-SAFETY (S/P)
61	5303207404	BRACKET-GAS VALVE (S/P)
62	131243700	SCREW,PAN HEAD , (S/P)
64	5303207405	PIPE (S/P)
67	131498500	VALVE-SHUT OFF (S/P)

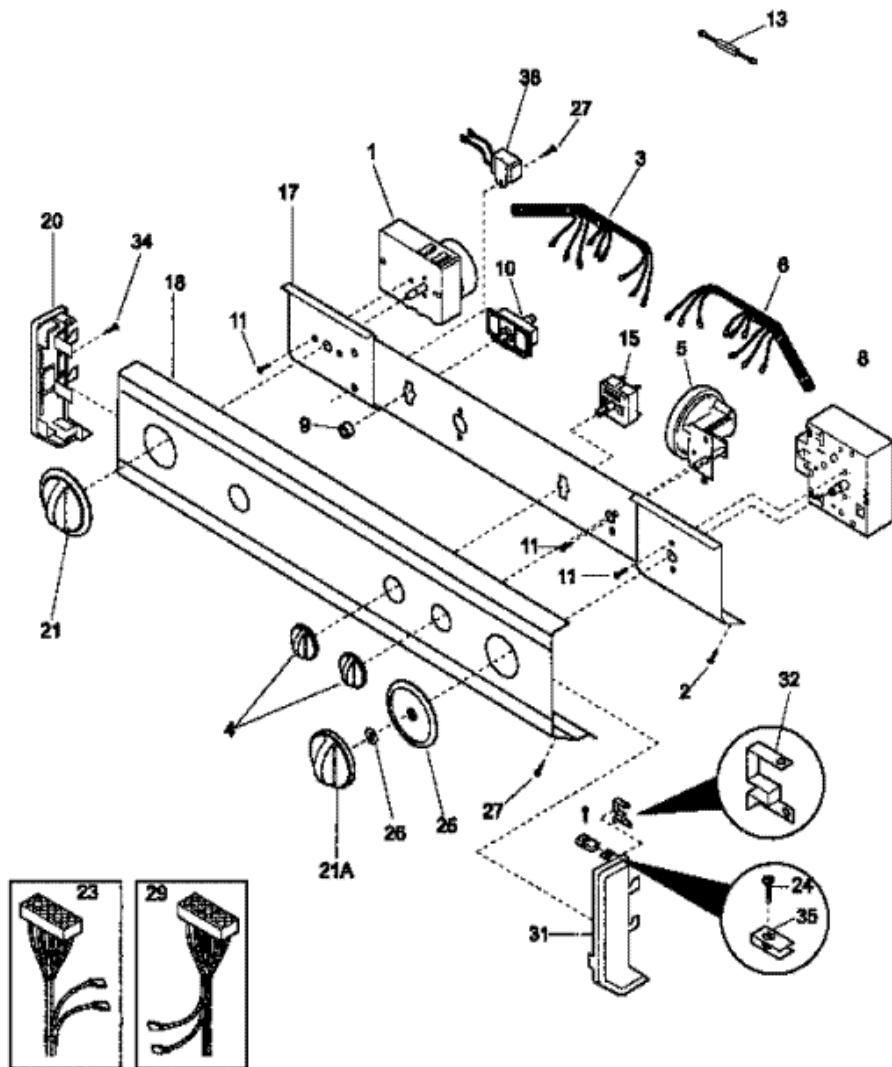
68	5362791200	UNION-MALE CONNECTOR,BRASS (S/P)
69	8015194	NUT-UNION,HEX (S/P)
70	5303207409	VALVE-GAS
71	5303931775	COIL-SECONDARY
72	5303931775	COIL-BOOSTER
73	5303207410	ORIFICE,NATURAL GAS (S/P)
74	5303937186	IGNITOR ASSY (S/P)
77	131763500	ASMY-BURNER (S/P)
79	5303281135	SENSOR (S/P)
80	131712401	TUBE-BURNER (S/P)
85	131712300	SHIELD-HEAT (S/P)
*98440	131453000	BUSHING-DRAIN HOSE (S/P)

Distribuidor Autorizado

SurteRápido.com

Venta de Refacciones
Electrodomesticas

FLXG52RBS7 TABLERO





FLXG52RBS7 TABLERO

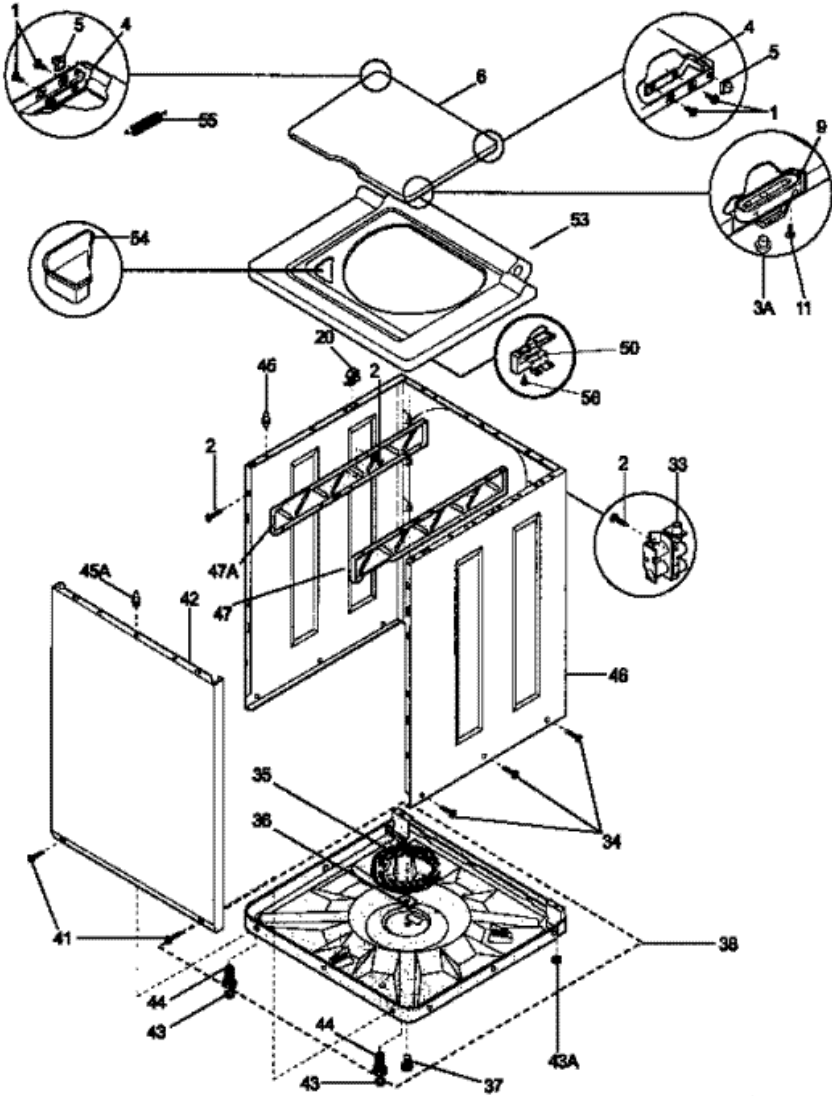
1	131062400	TIMER-DRYER
2	131168200	SCREW,8-18 X 0.31 (S/P)
3	131343300	HARNES-DRYER CONT. (S/P)
4	131168101	KNOB-ROTARY WHITE
5	134422700	SWITCH-PRESSURE 3/4 HP
6	131668500	HARNES-CONT WSHR (S/P)
8	131437400	TIMER-WASHER
9	131111501	BUTTON-START SWITCH,WHITE (S/P)
10	131628900	SWITCH-PUSH START
11	5303283289	SCREW,CR PAN HEAD , (S/P)
13	3205877	RESISTOR,3.0K (S/P)
15	131620800	SWITCH-TEMPERATURE
17	131712602	BRACKET-CONTROL (S/P)
18	131623000	PANEL-CONTROL,WHITE (S/P)
20	131288101	END CAP,WHITE ,LH
21	131873301	KNOB-DRYER TIMER,WHITE
21	131167601	KNOB-TIMER WASHER,WHITE (S/P)
23	131666100	HARNES-WIRING CONTROL DRYER (S/P)
24	131209600	SCREW,FLAT HEAD , (S/P)
25	131167701	DIAL-TIMER, WHITE (S/P)
26	3205248	SPACER-TIMER SHAFT (S/P)
27	3205253	SCREW-END CAP,PPH B ,6-20X.375 (S/P)
29	131778800	HARN-LWR WSHR (S/P)
31	131288211	END CAP,WHITE ,RH (S/P)
32	3204357	CLIP-GROUNDING (S/P)
34	131243700	SCREW,PAN HEAD , (S/P)
35	131063700	CLIP-END CAP (S/P)
38	5303286537	BUZZER (S/P)
*98442	5303161300	STRAP (S/P)
*98441	131209800	CLAMP-SW.PRESSURE (S/P)

Distribuidor Autorizado

SurteRápido.com

Venta de Refacciones
Electrodomesticas

FLXG52RBS7 GABINETE





FLXG52RBS7 GABINETE

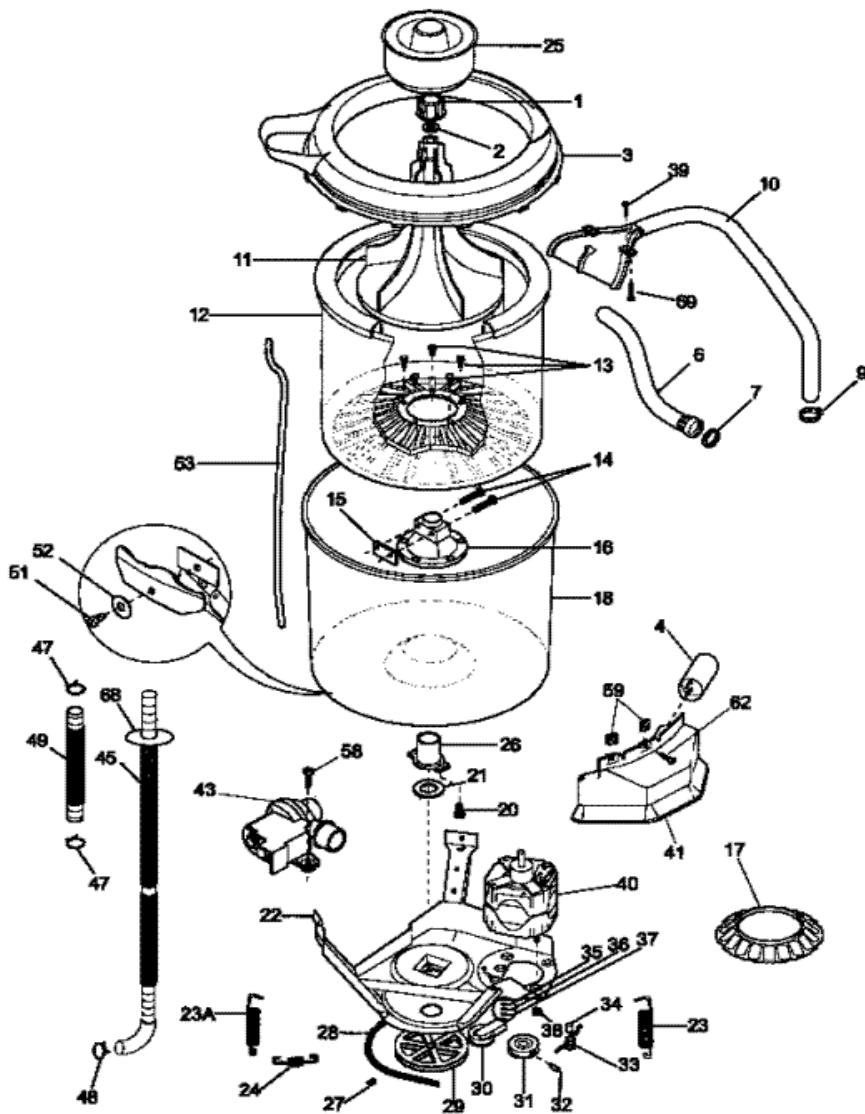
1	131587500	SCREW-HINGE,PPH 45DEG HDRPT (S/P)
2	131168200	SCREW,8-18 X 0.31 (S/P)
3	134075500	BUMPER-LID
4	3205250	HINGE-BAR (S/P)
5	3204362	GROMMET-HINGE (S/P)
6	5303212872	LID-WHITE (S/P)
9	131390000	STRIKE-LID
11	3204368	SCREW-STRIKE,PFH B ,6-20X.375 (S/P)
20	3204374	PIN-SLIDE (S/P)
33	134190200	VALVE-WATER
34	131205500	SCREW-BODY,1/4-14 X 0.625 (S/P)
35	5308002385	RING-SNUBBER
36	3204380	BLOCK-SHIPPING (S/P)
37	131658900	SCREW-SHIPPING (S/P)
38	5303311213	BASE ASSEMBLY (S/P)
41	131258400	SCREW-FRONT PNL,COMB TH AB , (S/P)
42	131104303	PANEL-FRONT,WHITE (WWX223REW1) (S/P)
43	131422200	PAD-LEVEL LEG (S/P)
43	131422100	PAD-LEVELING LEG
44	5303309673	LEG-LEVELING,WITH PAD
45	131346400	PIN-LOCATING (S/P)
45	131346401	PIN-LOCATING (S/P)
46	134046600	BODY-WHITE (WWX223REW1) (S/P)
47	131091001	BRACKET-MARRIAGE LH (S/P)
47	131106701	BRACKET-MARRIAGE RH (S/P)
50	134101800	LOCK-LID
53	134135800	PANEL-TOP WHITE (S/P)
54	3204394	DISPENSER-BLEACH (S/P)
55	134890500	SPRING-LID (S/P)
56	131243800	SCREW-BRKT TOP,PAN HD LOCKING , (S/P)
*98443	131453000	BUSHING-DRAIN HOSE (S/P)
*98444	5303309503	CLIP-BACKSHEET (S/P)

Distribuidor Autorizado

SurteRápido.com

Venta de Refacciones
Electrodomesticas

FLXG52RBS7 TINAS





FLXG52RBS7 TINAS

1	3204395	CAP-AGITATOR (S/P)
2	3204396	SEAL-CAP (S/P)
3	131398303	COVER-SPLASH TUB
4	131212301	CAPACITOR (S/P)
6	131279600	HOSE-INLET (S/P)
7	5303161296	WASHER-INLET HOSE (S/P)
9	5303304824	CLAMP
10	131726300	HOSE AND NOZZLE
11	3204401	ASMY-AGITATOR-STANDARD-SLIM
12	131370400	TUB-SPIN,AND TRUNNION
13	5303283293	SCREW-TRUNNION,UNC
14	131192800	SCREW-LOCKPLATE,HX ,
15	5308001923	LOCK PLATE
16	131545101	TRUNNION
17	131076600	FILTER-LINT
18	131557201	TUB-SPLASH,WAIR DOME,BRNG (S/P)
20	3205150	SCREW-TUB BEARING,PPH B ST/Z , (S/P)
21	5308002401	WASHER,SPIN BEARING ,UPPER
22	131373610	LEG & DOME ASSY
23	5303208858	SPRING-VERTICAL,SHORT
23	5303208860	SPRING-VERTICAL (S/P)
24	131373900	SPRING-HORIZONTAL
25	3205405	DISPENSER-FABRIC
26	3204405	BEARING-OUTER TUB
27	5303304825	SCREW-SET,HHD CUP PT , (S/P)
28	131686100	BELT-WASHER
29	131498300	PULLEY-TRANSMISSION
30	131862900	ARM-IDLER
31	3204423	PULLEY-MOTOR
32	3204424	PIN-ROLL (S/P)
33	3204425	SPRING-TORSION
34	3204426	SLEEVE-IDLER
35	3161433	RING-RETAINING
36	5303261031	WASHER-PIVOT SHAFT

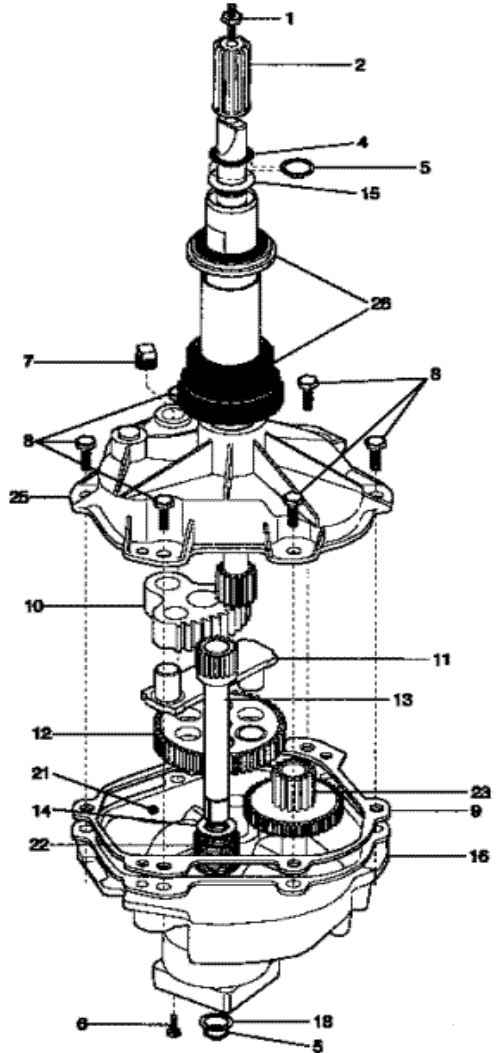
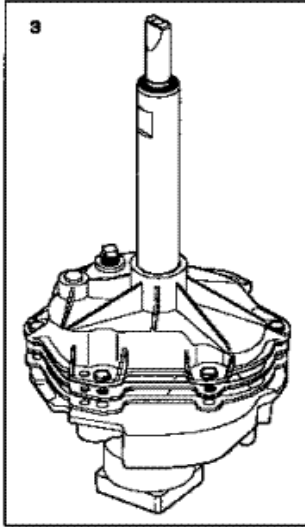
37	5303161306	WASHER-SPRING
38	5303318708	NUT-MOTOR (S/P)
39	131205100	SCREW,8 PAN HEAD (S/P)
40	131902700	MOTOR-MAIN,3/4 HP ,WASHER ,2 SPEED
41	131513300	SHIELD-MOTOR (S/P)
43	134051200	ASMY-PUMP
45	131461200	HOSE-DRAIN,90 INCH
45	131462500	CLIP-DRAIN HOSE (S/P)
45	131506500	CLIP-DRAIN HOSE (S/P)
47	131306234	CLAMP-HOSE TO TUB (S/P)
48	131306234	CLAMP-PUMP (S/P)
49	131494800	HOSE-PUMP TO TUB
51	131659000	SCREW-LEG,HWH TYP23 ,5/16-18X.875 (S/P)
52	3005891	WASHER-LEG,IDX.040 ,1.25 ODX.335 (S/P)
53	5304401845	TUBE-PRESSURE
58	131464900	SCREW-PUMP-TO BRACKET (S/P)
59	5303283052	CLIP-SHIELD (S/P)
62	131258400	SCREW-FRONT PNL,COMB TH AB , (S/P)
68	131707800	RING-DRAIN HOSE,68 (S/P)
69	131731500	FASTENER-RATCHET (S/P)
*98445	5303212877	INSERT-SPRING ADJ

Distribuidor Autorizado

SurteRápido.com

Venta de Refacciones
Electrodomesticas

FLXG52RBS7 TRANSMISION





FLXG52RBS7 TRANSMISION

1	131206800	STUD-AGITATOR CAP (S/P)
2	134418700	HUB-DRIVE,AGITATOR
3	134588800	TRANSMISSION
4	5303161307	SEAL-UPPER LIP
5	5303161223	RING-RETAINING
6	131346600	SCREW (S/P)
7	5303161224	PLUG-PIPE (S/P)
8	5308002804	SCREW-TRANSM. (S/P)
9	5308015778	GASKET (S/P)
10	5308011268	GEAR-SECTOR
11	131632701	ROD-CONNECTING
12	5308015496	GEAR-CRANK
13	5308014905	SHAFT-LOWER (S/P)
14	5303161226	WASHER-THRUST (S/P)
15	5303161232	WASHER (S/P)
16	131557800	HOUSING-LOWER (S/P)
18	5308002475	WASHER-SPACER (S/P)
21	3005242	OIL-TRANSMISSION,1QT (S/P)
22	5303161174	SPRING-SMALL LGS
23	5303161175	GEAR-IDLER (S/P)
25	131878300	HOUSING-UPPER (S/P)
26	5308950197	SEAL-TUB
*98447	131661200	LABEL-WARNING (S/P)
*98446	131381400	LABEL-CAUTION (S/P)