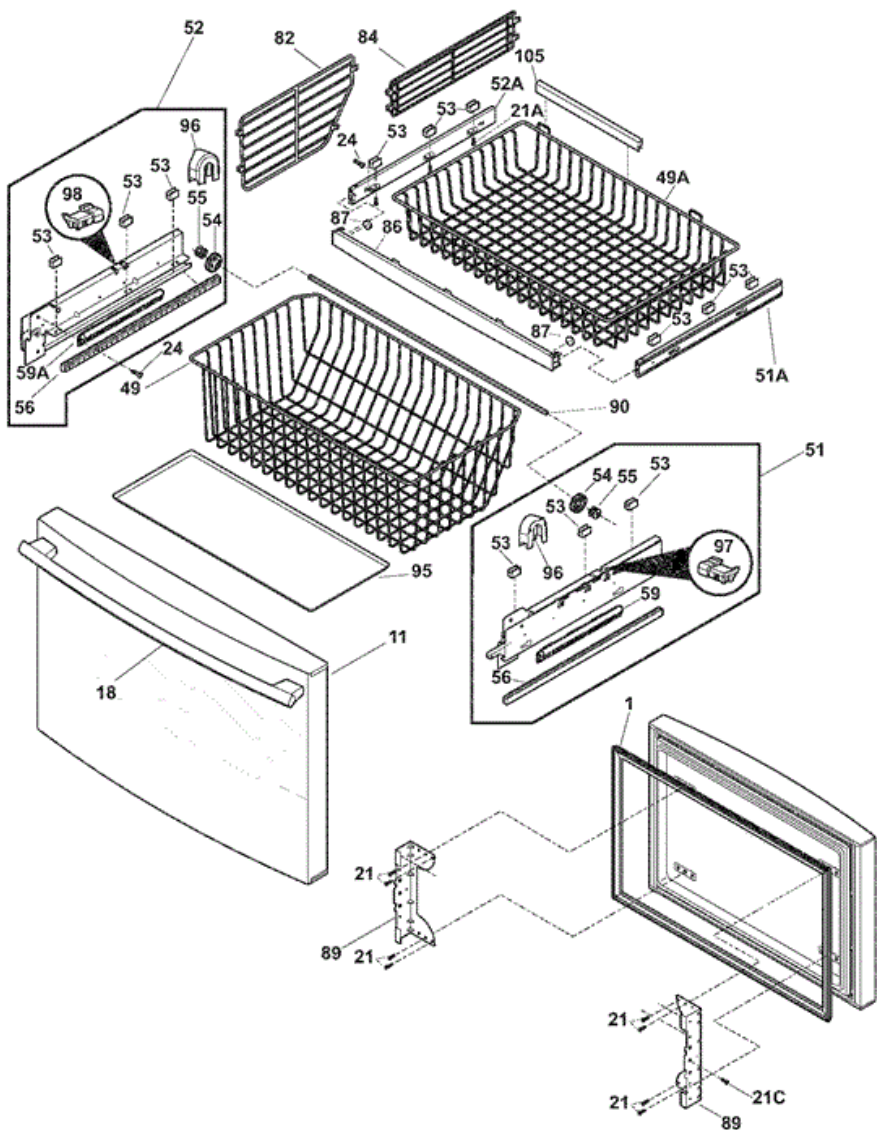


Distribuidor Autorizado

SurteRápido.com

Venta de Refacciones
Electrodomesticas

FPHB2899LF4 FREEZER DRAWER



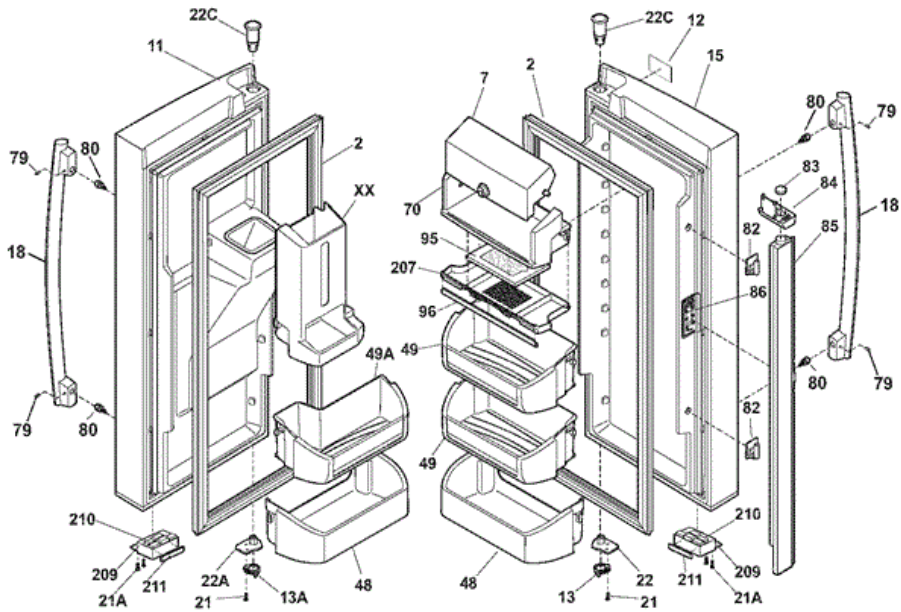


FPHB2899LF4 FREEZER DRAWER

11	241987921	DOOR-FRZR,STAINLESS ,COMPLETE ASSY
18	242029101	HANDLE-FRZR DRAWER,STAINLESS
21	240383407	SCREW,TRUSS HD QUAD ,NO.10-16 X .500 ,WHITE
21A	241953902	SCREW,NO.8 - 18 X .380 ,3
21C	241899701	SCREW-NO.10-32 X 3/8 TRUSS HEAD
24	240383406	SCREW,TRUSS HD QUAD ,NO.10-16 X .500 ,ZINC
49	242026801	BASKET-FRZR,LOWER
49A	241780805	BASKET-FRZR,UPPER
51	241883601	SLIDE ASSY.BASKET LOWER ,RH ,FREEZER DRAWER
51A	241894201	SLIDE ASSEMBLY,BASKET ,RH ,FREEZER DRAWER
52	241883701	SLIDE ASSY.BASKET LOWER ,LH ,FREEZER DRAWER
52A	241894203	SLIDE ASSEMBLY,BASKET ,LH ,FREEZER DRAWER
53	241824201	RETAINER-BASKET
54	241770201	PINION
55	241770301	PINION-IDLER
56	241762801	RACK,DRAWER TRAVEL
59	241979702	CLOSURE,DRAWER
59A	241979701	CLOSURE,DRAWER
82	242026901	DIVIDER,BASKET
84	241780901	DIVIDER,BASKET ,UPPER
86	241953202	BAR,STABALIZER ,FREEZER DRAWER
87	241812202	MAGNET,FREEZER DRAWER
89	241972301	BRACKET-FREEZER DRAWER
90	241770702	BAR,TIMING
95	241770808	TRAY,SPILL GUARD
96	241973501	COVER,PINION ,WHITE
97	241926401	ACTUATOR,RH ,WHITE ,LIGHT
98	241926402	ACTUATOR,LH ,WHITE ,LIGHT
105	242116801	TRIM-BASKET
F1	241778308	GASKET-FRZR DRAWER,GRAY ,MAGNETIC
NI	218755401	SCREW-SET,10-32 X 0.375
NI	218755504	SCREW-SHOULDER,NO.10 AB ,HANDLE MOUNTING
NI	241601001	WRENCH,ALLEN

NI	241701902	SCREWDRIVER-3/32`` BALLDRIVER
NI	241899602	SCREW,HEX WHD ,1/4-20 X 3/8`` ,CONNECTS
NI	241979601	BUMPER,RUBBER
NI	241999901	GUIDE,DIVIDER ,PLASTIC (ABS) ,LOWER
NI	241999902	GUIDE,DIVIDER ,PLASTIC (ABS) ,LOWER ,LH
NI	242011101	PIN-LOCK
NI	242039701	SCREW
NI	5304471621	SCREW,8-15A X 1.000 ,LOCK TITE

FPHB2899LF4 FRESH FOOD DOOR





FPHB2899LF4 FRESH FOOD DOOR

7	242011401	DOOR-DAIRY,REMOVABLE
11	241988080	DOOR-REFR,STAINLESS ,LH
12	242015101	NAMEPLATE
13	241868401	DOOR STOP,REFRIG RH ,PLATED
13A	241868402	DOOR STOP,REFR LH ,PLATED
15	241988076	DOOR-REFR,STAINLESS ,RH
18	241972501	HANDLE-DOOR,STAINLESS
21	242017501	SCREW,10-32 X 0.750
21A	241953901	SCREW,NO.8-18
22	242075601	CAM,UPPER HINGE ,RH
22A	242075602	CAM,UPPER HINGE ,LH
22C	241760401	BEARING,HINGE ,TOP
48	242071401	BIN-DOOR,PSEUDO ,WHITE
49	242037201	BIN-DOOR,GALLON
49A	242037202	BIN-DOOR,2-LITER
70	241804604	COMPARTMENT-DAIRY,REMOVABLE
79	218755401	SCREW-SET,10-32 X 0.375
80	218755504	SCREW-SHOULDER,NO.10 AB ,HANDLE MOUNTING
82	241779401	HINGE-MULLION,UPPER/LOWER ,FLIPPER
83	241812201	MAGNET,DOOR
84	241779702	GUIDE-MULLION FLIPPER
85	241778803	FLIPPER MULLION ASSEMBLY
86	241779801	HINGE-MULLION,CENTER ,FLIPPER
95	242047801	FILTER-AIR
96	242048002	DOOR-AIR FILTER
136	242071501	DISPENSER-CAN,WHITE
207	242047901	HOUSING-AIR FILTER
209	242021001	HOUSING-MAGNET,WHITE
210	241779103	MAGNET,DOOR
211	241979601	BUMPER,RUBBER
F2	241778307	GASKET-REFR DOOR,GRAY ,MAGNETIC
F49A	242012001	LINER-DOOR BIN,2-L
FNI	242040802	HARNESS-WIRING,DOOR

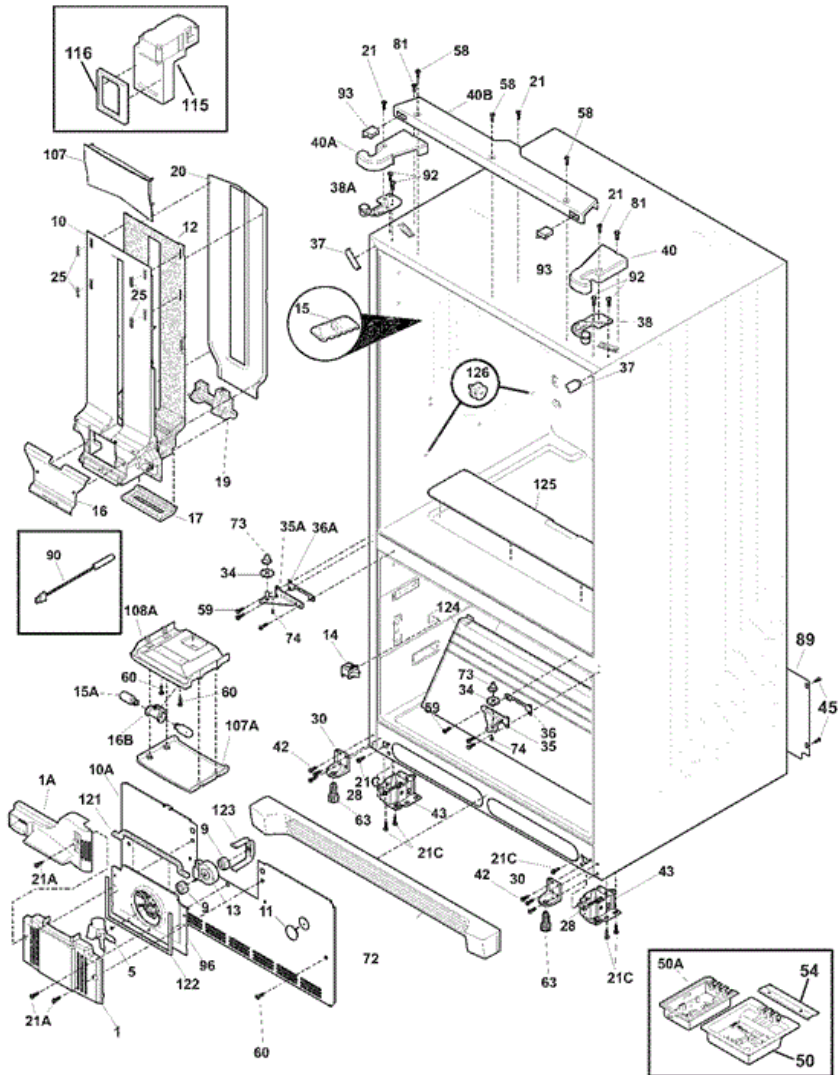
FNI	242064001	SCREW
NI	241601001	WRENCH,ALLEN
NI	241701902	SCREWDRIVER-3/32`` BALLDRIVER
NI	241788401	HARNESS-WIRING,FLIPPER MULLION
NI	241891401	COVER-LIGHT,LED
NI	242012201	LINER-DOOR BIN,GALLON
NI	242015001	SCREW,NO.10 8-19 X 1/2
NI	242068601	BUMPER,RH DOOR
NI	242103001	CONNECTOR-WATER,STRAIGHT
NI	5303918371	DISPENSER HEATER KIT,115

Distribuidor Autorizado

SurteRápido.com

Venta de Refacciones
Electrodomesticas

FPHB2899LF4 CABINET





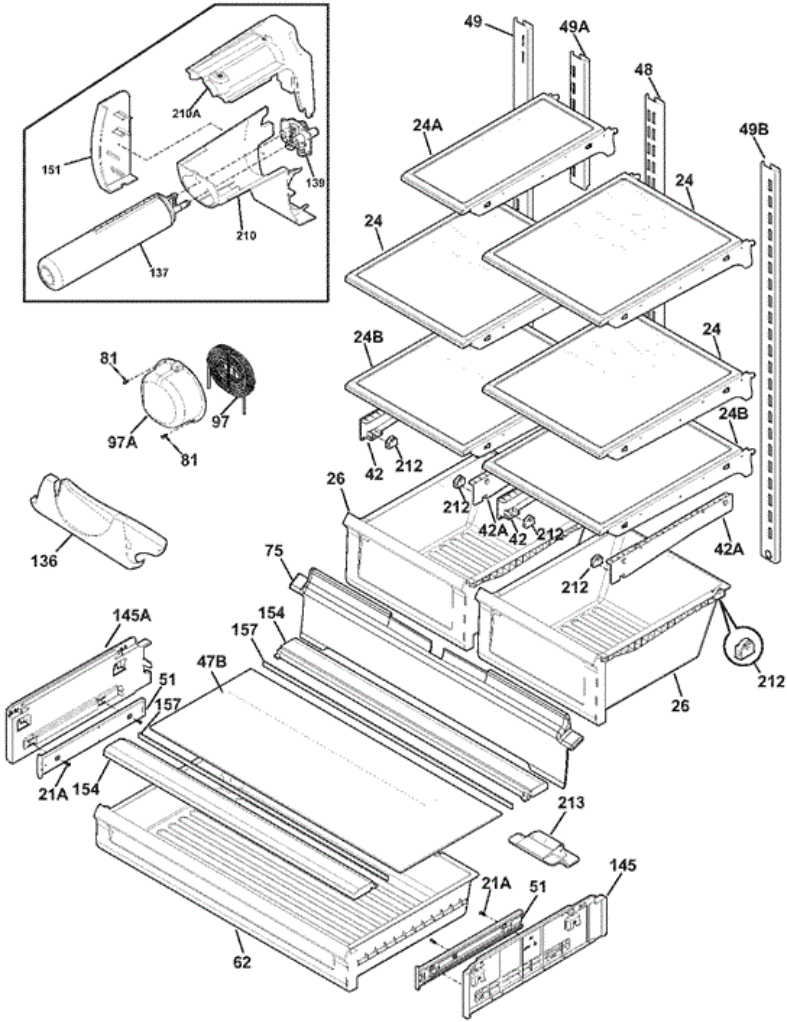
FPHB2899LF4 CABINET

1	241859701	COVER-FAN
10A	241860402	COVER-EVAP COIL,LOWER
9	241518301	BUSHING,MOTOR MOUNTING
10	242072002	COVER-AIR DUCT
11	5303208309	PLUG-HOLE, FACTORY TEST
12	242072401	INSULATION-AIR DUCT
13	241509402	MOTOR,EVAPORATOR FAN
14	242060201	SWITCH-LIGHT/LAMP,FRZR DOOR
15	241891102	LIGHT-LED
16	242072101	COVER-DAMPER
17	242071901	GASKET-AIR DUCT/LINER
19	242072601	SUPPORT-EPS DAMPER
1A	242052101	DUCT-AIR
20	242072201	COVER-AIR DUCT,REAR
21	241732101	SCREW,10-32 X 1/2
21A	241953901	SCREW,NO.8-18
21C	218252201	SCREW,NO.8 TRUSS HD ,10-32CA X 0.500
25	241949502	CLIP,AIR VENT
28	240335502	BOLT-ROLLER ADJ,HEX WASHER HEAD ,1/4-20
30	241778701	BRACKET-ANTI TIP
34	241868301	WASHER,HINGE ,NYLON ,(2)
35	241763005	HINGE-LOWER,RH
35A	241763006	HINGE-LOWER,LH
36	241868201	SPACER,DOOR ,LOWER RH
36A	241868202	SPACER,DOOR ,LOWER LH
37	240337615	TRIM-CABINET CORNER,GRAY ,(2)
38	241761301	BRACKET-UPPER HINGE,RH
38A	241761302	BRACKET-UPPER HINGE,LH
40	241778009	COVER-UPPER HINGE,GREY ,RH
40A	241778010	COVER-UPPER HINGE,GREY ,LH
40B	241862405	COVER-UPPER HINGE,GREY ,CENTER
42	240578902	SCREW,HEX HEAD ,1/4-20 X 5/8
43	240335006	ROLLER ASSY,FRONT ,(2)

45	241500303	SCREW,HEX WASHER HEAD ,8-18AB X 1/2
54	241532401	CHANNEL
58	241853202	SCREW
59	240442706	SCREW-NO.10-32 X 3/4,ZINC
60	218362501	SCREW,HEX WASHER HEAD ,8-18AB X
63	216396900	SCREW, LEVELING FOOT, PLASTIC, ADJUSTABLE
72	242054801	GRILLE/KICKPLATE
73	242075701	CAM-LOWER HINGE
74	242026701	SCREW,NO.6-32 X 9/16
81	242025601	SCREW,HEX HEAD ,NO.10-32 X 3/8
89	241733905	COVER-ACCESS,W/LABEL
90	240597203	SENSOR
92	241710601	SCREW,HEX WASHER HD ,1/4 X 7/8 ,HINGE MTG
93	241835505	SWITCH-LIGHT,GREY
96	241860601	SHROUD-EVAP FAN MTG
107	241963102	DUCT-AIR, TOP
115	241518501	DAMPER,MOTORIZED
116	241518601	SEAL-DAMPER,FOAM
121	241860103	GASKET-EVAP,UPPER
122	241860102	GASKET-EVAP,BOTTOM
123	241517701	CLIP,EVAP FAN MOTOR
124	242006902	DUCT-AIR,FREEZER
125	242071201	COVER,SUMP
126	242081301	SCREW-SHOULDER
F107	241971601	SHIELD-LIGHT,FRZR
F108	241971801	COVER-WIRING,FREEZER LIGHT
F10A	241860104	GASKET-COIL COVER
F10A	241860105	GASKET-COIL COVER
F15A	241552801	LIGHT BULB
F16B	241510802	HARNESS-WIRING,FRZ LIGHT
F16B	241622802	SOCKET-LIGHT,FRZ LIGHT
F5	5308000010	FAN BLADE,RED ,EVAPORATOR FAN
F50	242115204	BOARD-MAIN POWER
F50A	241852501	CLIP,WIRING HARNESS
F50A	241891604	BOARD-LED POWER
FNI	242061601	HARNESS-WIRING,AIR DUCT
FNI	242119001	HARNESS-WIRING
NI	215474201	WASHER,``SLINGER`` ,NYLON ,EVAP FAN SHAFT

NI	240479601	PLUG,BUTTON ,CAB LINER HOLES
NI	241810104	SEAL,HOUSING
NI	241953904	SCREW,NO.8-18
NI	241969001	CAP,SCREW
NI	242015904	HARNESS-WIRING
NI	242025201	PIPE,FOAM
NI	242072501	COVER-EPS,DAMPER

FPHB2899LF4 SHELVES





FPHB2899LF4 SHELVES

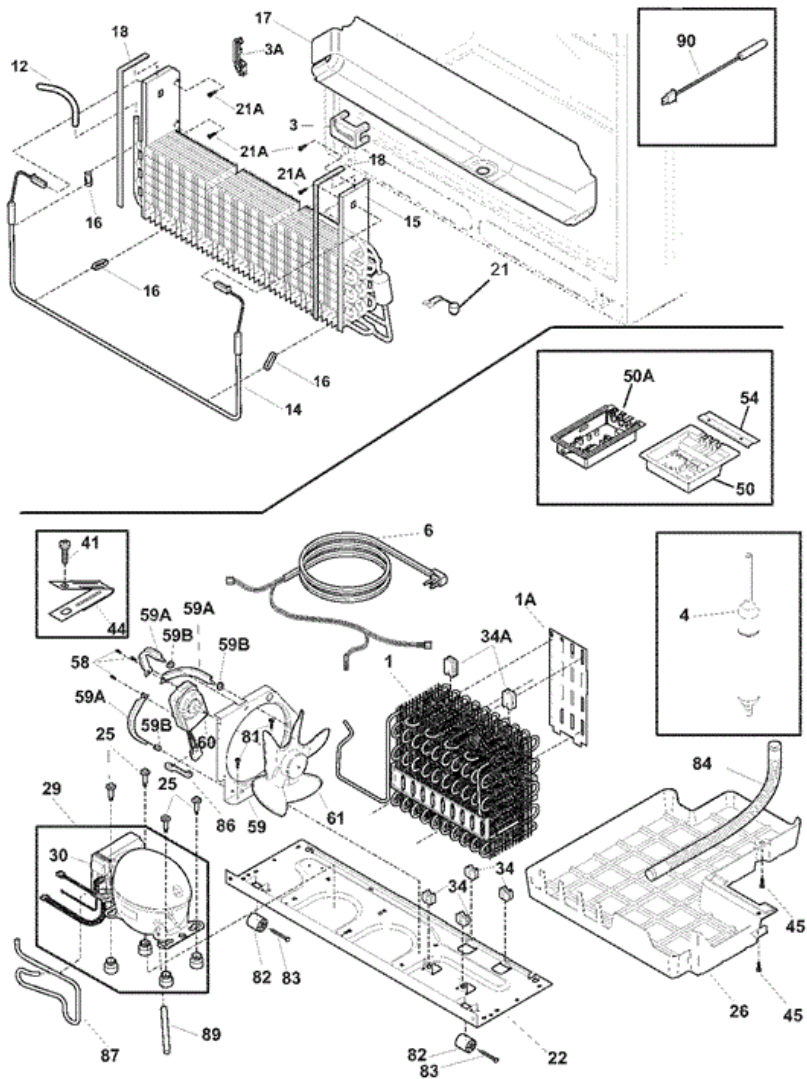
24	242068701	SHELF-``SPILL-SAFE``,CANTILEVER ,SLIDING
26	241801802	PAN-CRISPER
42	242067901	SUPPORT,CRSPR PAN ROLLE
48	242122101	CHANNEL-SHELF MTG,CENTER
49	242122201	CHANNEL-SHELF MTG,SIDE ,LH
51	242065301	SLIDE-DELI
62	242096802	PAN-DELI
75	242072702	SHIELD-LIGHT,REFR
81	5304455650	SCREW,HEX WASHER HEAD ,8-15A X 0.625
97	242082001	WATER TANK
136	241657701	DISPENSER-CAN,WHITE
137	241791601	FILTER-WATER,CARBON
139	242009601	BASE-WATER FILTER
145	242082201	SUPPORT,RAIL
151	242069701	COVER-WATER FILTER
154	242082401	SUPPORT
157	241872201	BEAM-CRISPER COVER
210	241983805	HOUSING-WATER FILTR
212	5304479194	ROLLER ASSEMBLY,CRISPER PAN
213	242010901	ROLLER ASSY,DELI PAN
21A	241953902	SCREW,NO.8 - 18 X .380 ,3
24A	242068702	SHELF-``SPILL-SAFE``,CANTILEVER ,1/4
24B	242068703	SHELF-``SPILL-SAFE``,FIXED
42A	242067801	SUPPORT,CRSPR PAN ROLLE
47B	242082301	GLASS,DELI COVER
49A	242122001	CHANNEL-SHELF MTG,CENTER ,ICEMAKER SHELF
49B	242122301	CHANNEL-SHELF MTG,SIDE ,RH
97A	242117301	COVER-WATER TANK
F145	242082202	SUPPORT,RAIL
F154	242015001	SCREW,NO.10 8-19 X 1/2
F210	241998302	MOUNT-WATER FILTER
NI	241953901	SCREW,NO.8-18
NI	242028570	ENERGY GUIDE

Distribuidor Autorizado

SurteRápido.com

Venta de Refacciones
Electrodomesticas

FPHB2899LF4 SYSTEM





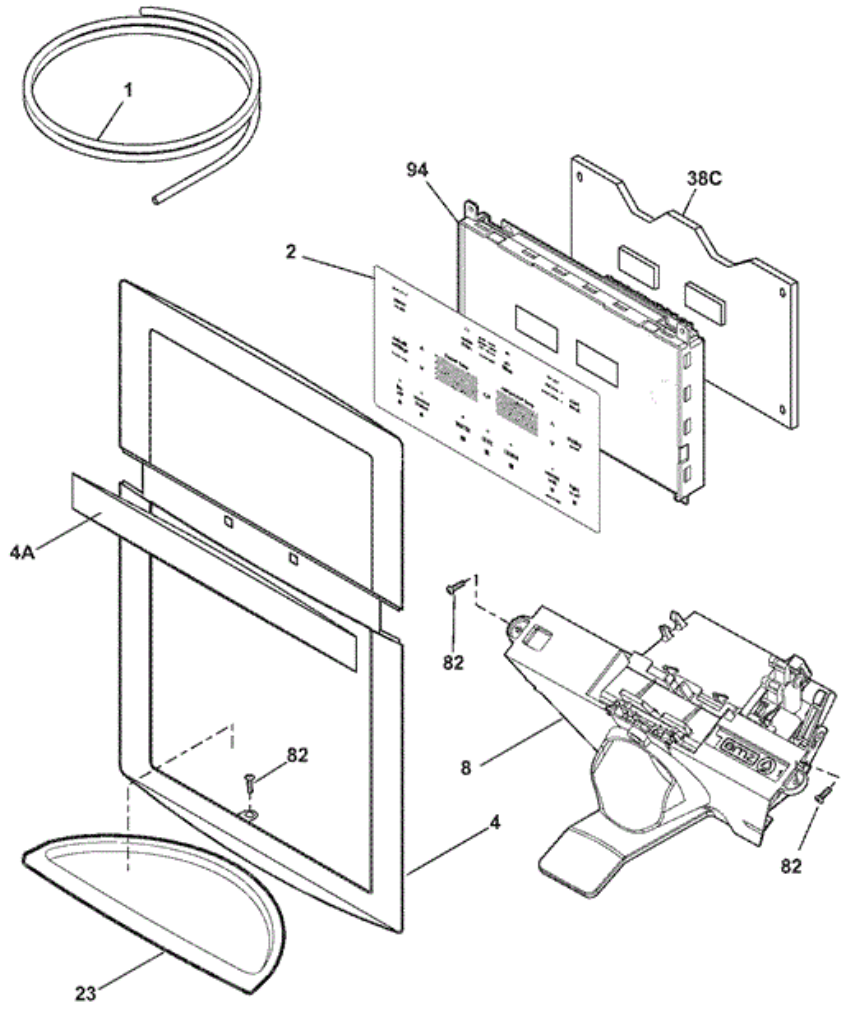
FPHB2899LF4 SYSTEM

3	241838401	BLOCK-EVAP COIL,STYROFOAM INSUL ,RH
12	242036701	TUBE-JUMPER,EVAPORATOR
16	5308000110	STRAP-EVAP/HEATER,ALUMINUM ,(2)
17	241791201	TROUGH-DRAIN
18	241860101	GASKET,CLOSED CELL
1A	241987301	DEFLECTOR-AIR,CONDENSER
21A	218362501	SCREW,HEX WASHER HEAD ,8-18AB X
22	241602112	BASE-COMPRESSOR,W/ROLLERS
25	240491503	SCREW-COMPRESSOR MTG,1/4-28 X 1.16 ,(4)
26	241920603	PAN-DEFROST
34	241929901	GROMMET-COND MTG,(4)
34A	241929902	GROMMET-COND MTG,(4)
3A	241838402	BLOCK-EVAP COIL,STYROFOAM INSUL ,LH
41	240555002	SCREW-NO.8-32 X 3/8
44	215174700	CLAMP-SERVICE CORD, STRAIN RELIEF,
45	5304455650	SCREW,HEX WASHER HEAD ,8-15A X 0.625
54	241532401	CHANNEL
58	240433203	SCREW,HEX WASHER HEAD ,8-18 X 3/8
59	240315502	SHROUD-COND FAN
59A	240346501	BRACKET-SUPPORT,COND MTR ,(3)
59B	240346601	GROMMET-BRACKET,(3)
60	241584301	MOTOR-CONDENSER FAN
61	241639501	BLADE-CONDENSER FAN
81	240359403	SCREW-FAN SHROUD,(2)
82	5304418225	ROLLER,COMPRESSOR BASE ,REAR ,(2)
83	5304455655	RIVET,FLAT HEAD ,1/4 OD X 1-3/4 ,ROLLER PIN
84	241830902	TUBE-DRAIN,LOWER
86	240409302	SPACER-COND TUBE,BLACK
87	241846302	TUBE-SUCTION,JUMPER
89	215346900	TUBE-PROCESS
90	240597203	SENSOR
F1	241862901	CONDENSER
F14	5303918410	DEFROST HEATER KIT,28`

F15	5303918569	EVAPORATOR KIT,C/D FDBM
F21	242046001	THERMOSTAT-DEFROST
F29	241706202	COMPRESSOR,SERVICE
F30	241577505	INVERTOR
F4	242047601	DRIER-FILTER
F50	242115204	BOARD-MAIN POWER
F50A	241852501	CLIP,WIRING HARNESS
F50A	241891604	BOARD-LED POWER
F6	241516901	CORD-SERVICE
FNI	242119001	HARNESS-WIRING
NI	218252201	SCREW,NO.8 TRUSS HD ,10-32CA X 0.500
NI	218515403	CLIP-GRILLE
NI	240346701	TAPE-FOAM SEAL,SHROUD
NI	241510904	HARNESS-DISPENSER,GROUNDING
NI	241810104	SEAL,HOUSING
NI	241842301	CAP-THERMISTOR
NI	241947701	SPACER,HEAT EXCHANGER
NI	242036801	CLIP-TUBE,DRAIN
NI	242119101	HARNESS-WIRING,MACHINE COMPT
NI	3205266	EDGE PROTECTOR, WIRING HARNESS
NI	5303918553	HEAT EXCHANGER KIT,SUCTION LINE ,SERVICE
NI	5303918554	HOT TUBE REPAIR KIT,SERVICE



FPHB2899LF4 CONTROLS & ICE DISPENSER





FPHB2899LF4 CONTROLS & ICE DISPENSER

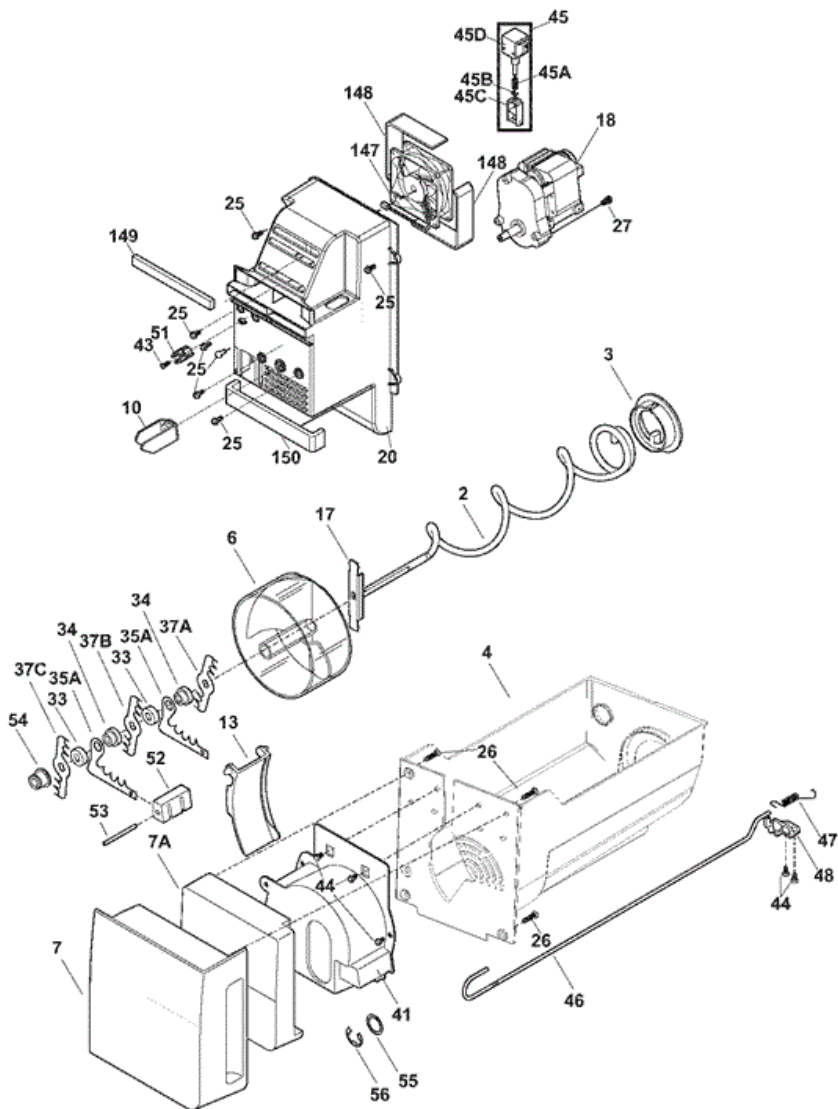
1	218976424	TUBE-WATER,64.00`` ,YELLOW
4	242034203	COVER-MODULE,GRAY
4A	242061101	TRIM,FACADE
8	242074206	MODULE-DISPENSER
23	242034004	DRIP TRAY,GRAY
82	241953902	SCREW,NO.8 - 18 X .380 ,3
94	242034101	HOUSING-CONTROL
F2	242035605	SWITCH-MEMBRANE
F38C	241973707	BOARD-CONTROL
NI	241510904	HARNES-Dispenser,GROUNDING
NI	241920101	TUBE-WATER INLET,GREEN ,VALVE TO I.M.
NI	241965901	TUBE-WATER,FORMED ,64.86``
NI	242105401	CHUTE-ICE
NI	5303918371	Dispenser HEATER KIT,115

Distribuidor Autorizado

SurteRápido.com

Venta de Refacciones
Electrodomesticas

FPHB2899LF4 ICE CONTAINER



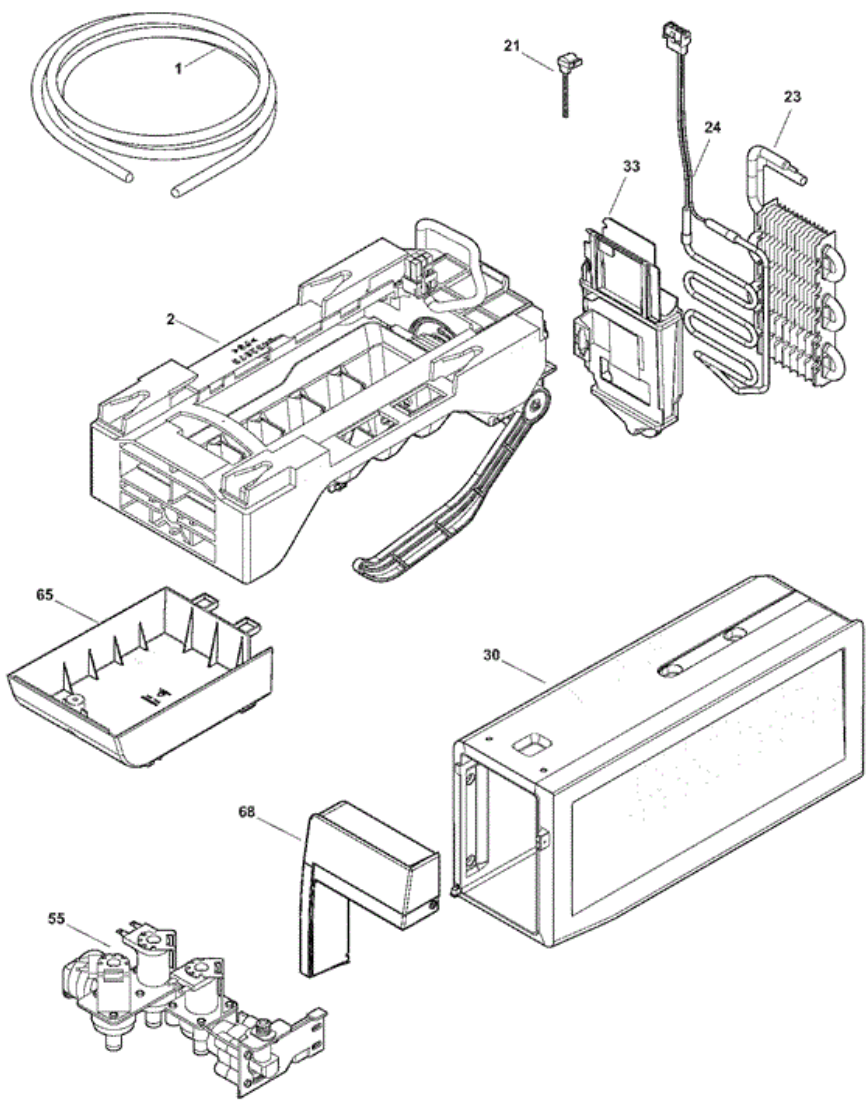


FPHB2899LF4 ICE CONTAINER

2	241829401	AUGER-ICE
3	241830201	CAM-DRIVE
4	242093101	CONTAINER-ICE,BUCKET ONLY
6	241829801	DRUM-ICE DISP
7	242093201	COVER-BUCKET FRONT
10	241829001	BAR-DRIVE
13	242106201	GATE
17	241830601	DRIVE BLADE
20	242095701	HOUSING-AIR HANDLER, GEN II IM
25	240555004	SCREW,8-32 X 3/8 ,BLACK
26	242015001	SCREW,NO.10 8-19 X 1/2
27	240555002	SCREW-NO.8-32 X 3/8
33	241684801	SPACER
34	241689801	SPACER
35A	241830401	FIXED BLADE,ROUND
37A	241830301	BLADE,CRUSHER NO.1
37B	241830302	BLADE,CRUSHER NO.2
37C	241830303	BLADE,CRUSHER NO.3
41	242093301	HOUSING-CRUSHER
43	241641502	SCREW
44	241953901	SCREW,NO.8-18
45A	241675901	SPRING-SOLENOID
45B	241676001	E-RING-SOLENOID
45C	241676101	ACTUATOR-SOLENOID
46	241817901	CONTROL ROD
47	241839001	SPRING-CONTROL ROD
48	241830101	BRACKET-CONTROL
51	242095501	PIN-ANTI TWIST BKT GEN II IM
52	241830701	SPACER-FIXED BLADES
53	241869601	PIN-SPIRAL,FIXED BLADES
54	241829601	NUT-AUGER
55	241690306	WASHER
56	241690201	E-RING

148	242095406	GASKET
149	242095404	GASKET-EVAP HOUSING,,.250X.250X5.250
150	242095407	GASKET
7A	242095201	INSULATION,I/CONTAINER FRT
F147	242119401	FAN ASSEMBLY,MOTOR ,WITH BLADE
F18	241816601	MOTOR-AUGER
F45	241675701	SOLENOID ASSY,115V
F45D	241675801	SOLENOID,115V
NI	242093001	ICE CONTAINER ASSY,W/MOVING PARTS
NI	242095802	HARNESS-WIRING,AIR HANDLER

FPHB2899LF4 ICE MAKER





FPHB2899LF4 ICE MAKER

1	218976424	TUBE-WATER,64.00`` ,YELLOW
2	243297603	ICE MAKER,COMPLETE ,115 V
23	5303918567	EVAPORATOR KIT
30	242142201	COVER,ICMKR & BUCKET
33	242094401	HOUSING-EVAPORATOR
65	242094301	COVER-WIRING
68	242095001	COVER-FRONT,BUCKET TRIM
F21	5303918568	THERMOSTAT-DEFROST,DEFROST ,ICEMAKER EVAP
F24	242094801	HEATER-DEFROST
F55	242102201	VALVE-WATER,4 POSITION ,115 V
NI	215688131	TAPE,ALUMINUM ,2`` WD X 3.50`` L
NI	218709101	SCREW,HEX HEAD ,10-32 X 0.500
NI	218976432	TUBE-WATER,BROWN/TAN
NI	218976812	TUBE-WATER INLET,VALVE TO I.M.
NI	240363602	SCREW-SHOULDER
NI	240396801	CLAMP,TUBE/WIRING ,NYLON ,BLACK/NATURAL
NI	241503901	CONNECTOR-WATER,STRAIGHT
NI	241518001	NUT,1/2-20 ,NYLON ,WATER HOSE ,(2)
NI	241695906	SCREW,10-16AB X 0.50
NI	241953902	SCREW,NO.8 - 18 X .380 ,3
NI	241965901	TUBE-WATER,FORMED ,64.86``
NI	242039701	SCREW
NI	242041805	TUBE-WATER,ICE MOLD FILL ,W/EXTENSION
NI	242082104	TUBE-WATER
NI	242095401	GASKET-EVAP HOUSING
NI	242095402	GASKET-EVAP HOUSING,.,250X.250X3.300
NI	242095403	GASKET-EVAP HOUSING,.,250X.250X7.750
NI	242095404	GASKET-EVAP HOUSING,.,250X.250X5.250
NI	242095405	GASKET-EVAP HOUSING,.,250X.250X6.600
NI	242096001	INSULATION,I/CONTAINER FRT
NI	242103001	CONNECTOR-WATER,STRAIGHT
NI	242105401	CHUTE-ICE
NI	242124801	GASKET

NI	242124802	GASKET
NI	242146001	GASKET