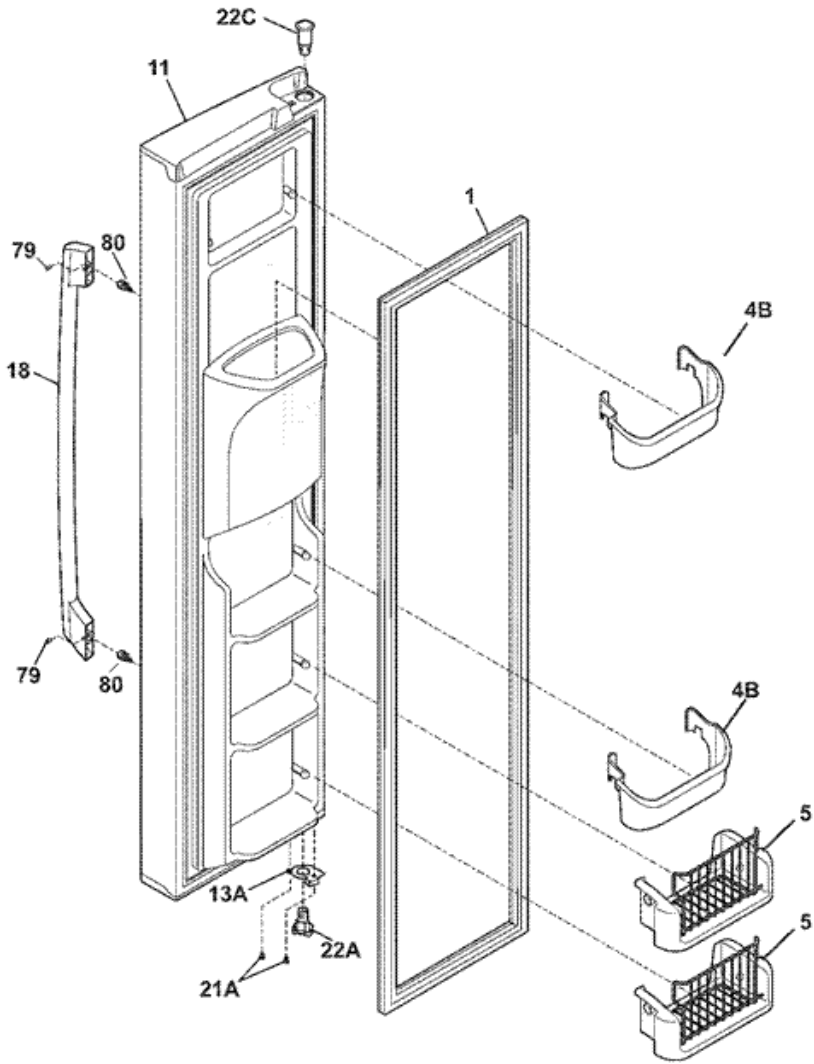


FPHC2399KF1 FREEZER DOOR

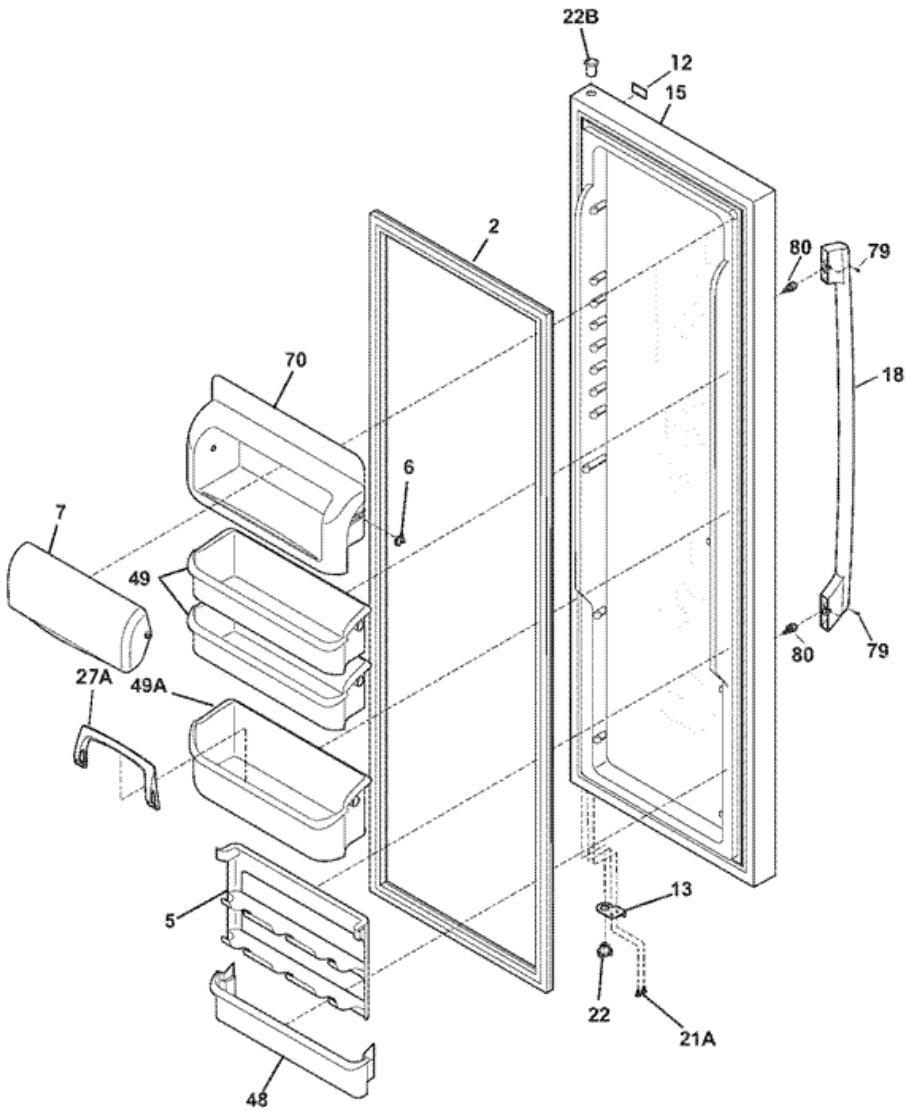




FPHC2399KF1 FREEZER DOOR

5	241545001	BIN-TILT OUT, TILT-OUT (S/P)
11	241837179	DOOR-FRZR, STAINLESS, COMPLETE ASSY (S/P)
18	241972501	HANDLE-DOOR, STAINLESS (S/P)
4B	241808225	BIN-DOOR, PSEUDO, FRZR (S/P)
79	218755401	SCREW-SET, 10-32 X 0.375 (S/P)
80	218755504	SCREW-SHOULDER, NO.10 AB, (S/P)
F1	241510202	GASKET-FRZR DOOR, WHITE, MAGNETIC (S/P)
NI	5303918371	DISPENSER HEATER KIT, 115 (S/P)
NI	240545201	CONNECTOR-WATER, STRAIGHT (S/P)
13A	241942604	DOOR STOP, BLACK, FRZR (S/P)
21A	240442706	SCREW-NO.10-32 X 3/4, ZINC (S/P)
22A	241990302	BEARING-HINGE(FRZ), CLOSER (S/P)
22C	241760401	BEARING, HINGE, TOP (S/P)
FNI	241834703	HARNESS-WIRING, DOOR (S/P)

FPHC2399KF1 REFRIGERATOR DOOR

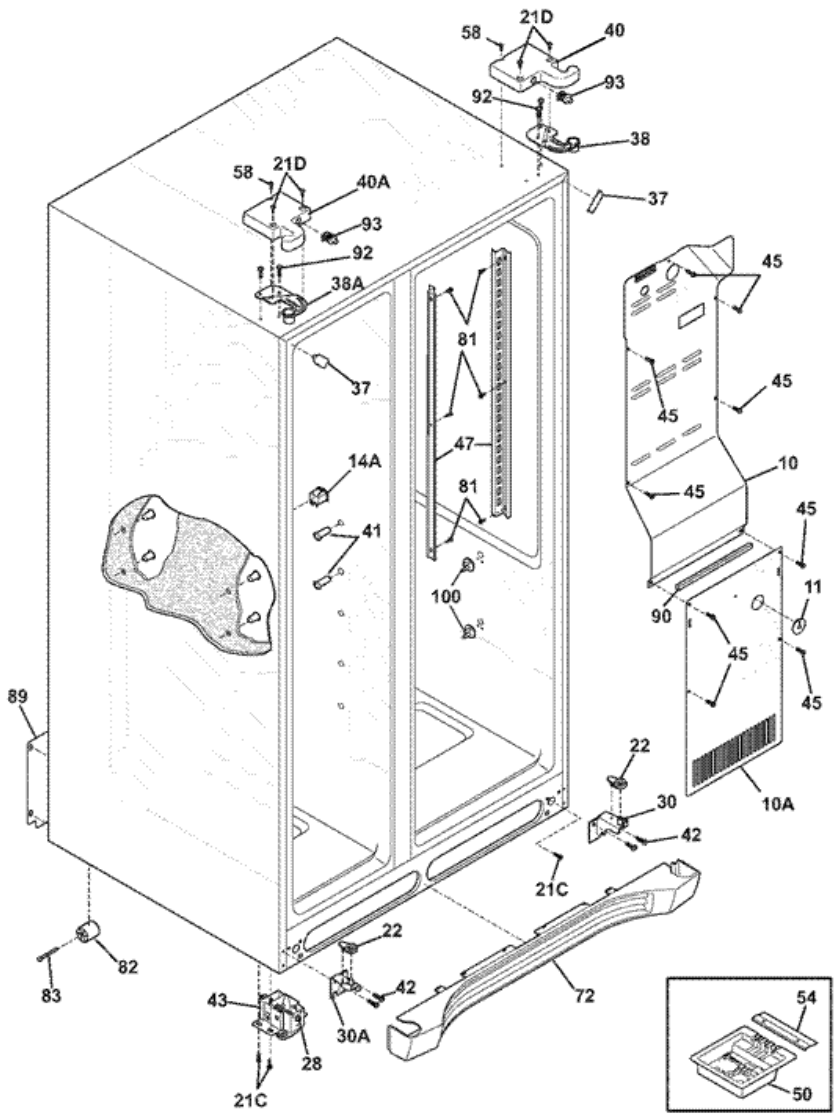




FPHC2399KF1 REFRIGERATOR DOOR

5	241516102	RACK-CAN (S/P)
6	241515901	LUG-DAIRY COMPARTMENT (S/P)
7	241515601	DOOR-DAIRY (S/P)
12	242015101	LABEL-NAMEPLATE (S/P)
13	241942603	DOOR STOP, BLACK, REF (S/P)
15	241837261	DOOR-REFR, STAINLESS, COMPLETE ASSY (S/P)
18	241972501	HANDLE-DOOR, STAINLESS (S/P)
22	241990301	BEARING-HINGE, GRAY (S/P)
48	241808224	BIN-DOOR, REF (S/P)
49	241808222	BIN-DOOR, 2 LITER (S/P)
70	241515801	COMPARTMENT-DAIRY, REMOVABLE (S/P)
79	218755401	SCREW-SET, 10-32 X 0.375 (S/P)
80	218755504	SCREW-SHOULDER, NO.10 AB, (S/P)
F2	241510201	GASKET-REFR DOOR, WHITE, MAGNETIC (S/P)
NI	241779903	LINER, BIN, 2 LITER (S/P)
21A	240442706	SCREW-NO.10-32 X 3/4, ZINC (S/P)
22B	241760403	BEARING, HINGE, TOP (S/P)
27A	241812702	RETAINER, TALL BOTTLE (S/P)
49A	241808223	BIN-DOOR, GALLON, W/TRIM (S/P)
F49A	241780003	LINER, BIN, GALLON (S/P)

FPHC2399KF1 CABINET





FPHC2399KF1 CABINET

10	241509804	COVER-AIR DUCT (S/P)
11	5303208309	PLUG-HOLE, FACTORY TEST (S/P)
22	241917801	PLATE-DOOR CLOSER (S/P)
28	240335502	BOLT-ROLLER ADJ, HEX WASHER HEAD, (S/P)
30	241918001	BRACKET-LOWER HINGE, RH, W/HINGE PIN (S/P)
37	240337612	TRIM-CABINET CORNER, NICKELOID, (2) (S/P)
38	241761301	BRACKET-UPPER HINGE, RH (S/P)
40	241946707	COVER-UPPER HINGE, RH (S/P)
41	241550801	GROMMET-SHELF MTG, 1.40`` LONG (S/P)
42	240578902	SCREW, HEX HEAD, 1/4-20 X 5/8 (S/P)
43	240335006	ROLLER ASSY, FRONT, (2) (S/P)
45	241500303	SCREW, HEX WASHER HEAD, 8-18AB X 0.500 (S/P)
47	241513001	CHANNEL-SHELF MTG, SIDE, (2) (S/P)
50	242000412	BOARD-MAIN POWER (S/P)
54	241532401	CHANNEL (S/P)
58	218781101	SCREW, PAN HEAD, 8-18 X 0.625 (S/P)
72	241969405	GRILLE/KICKPLATE (S/P)
81	5304455650	SCREW, HEX WASHER HEAD, 8-15A X 0.625, (S/P)
82	5304418225	ROLLER, COMPRESSOR BASE, REAR, (2) (S/P)
83	5304455655	RIVET, FLAT HEAD, 1/4 OD X 1-3/4, (S/P)
89	241733902	COVER-ACCESS, W/LABEL (S/P)
90	218249808	SEAL-COIL COVER (S/P)
92	241710601	SCREW, HEX WASHER HD, 1/4 X 7/8, (S/P)
93	241911701	SWITCH, PLUNGER STYLE (S/P)
NI	241852501	CLIP, WIRING HARNESS (S/P)
NI	218755402	SCREW-SET, 10-32 X 0.375 (S/P)
NI	241550701	GROMMET-SHELF MTG, .96`` LONG (S/P)
NI	241835801	HARNESS-WIRING (S/P)
NI	241890603	DEFLECTOR-AIR (S/P)
NI	241867901	HARNESS-WIRING (S/P)
NI	241781601	SEAL-RETURN AIR (S/P)
100	241993101	SUPPORT, CRISPER COVER, FRONT, (4) (S/P)
10A	241719711	COVER-EVAP COIL, LOWER (S/P)

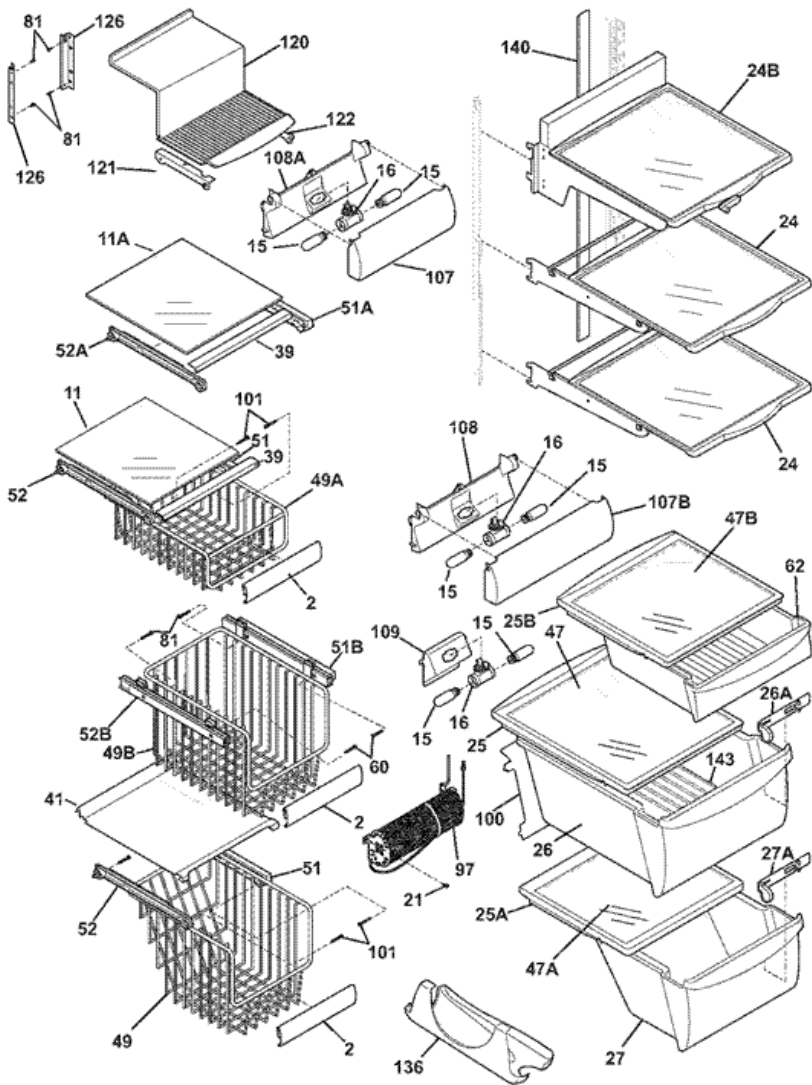
21C	218252201	SCREW, NO.8 TRUSS HD, 10-32CA X 0.500 (S/P)
21D	241548003	SCREW, 10-32 X 3/8 (S/P)
30A	241918002	BRACKET-LOWER HINGE, LH, W/HINGE PIN (S/P)
38A	241761302	BRACKET-UPPER HINGE, LH (S/P)
40A	241946708	COVER-UPPER HINGE, LH (S/P)
F100	240350802	SUPPORT, CRISPER COVER, REAR, (4)
F14A	241547901	SWITCH-LIGHT/LAMP, FRZR DOOR (S/P)
F40A	241891901	HARNESS-WIRING, FREEZER (S/P)

Distribuidor Autorizado

SurteRápido.com

Venta de Refacciones
Electrodomesticas

FPHC2399KF1 SHELVES





FPHC2399KF1 SHELVES

2	241510608	TRIM-BASKET (S/P)
11	240443357	SHELF-FREEZER, GLASS, LOWER (S/P)
15	241552801	LIGHT BULB (S/P)
16	241622802	SOCKET-LIGHT, FRZ LIGHT (S/P)
21	5304455658	SCREW, HX WSHR HD SEMS, 8-15A X 0.625 (S/P)
24	240350137	SHELF-`SPILL-SAFE`, CANTILVER, SLIDING (S/P)
25	240599302	COVER-CRISPER PAN, UPPER (S/P)
26	240351062	PAN-CRISPER, UPPER (S/P)
27	240351241	PAN-CRISPER, LOWER (S/P)
39	240367603	TRIM-SHELF, 11.65`, FRONT (S/P)
41	241637601	BAFFLE-AIR (S/P)
47	240350649	INSERT-PAN COVER, GLASS (S/P)
49	241515001	BASKET-SLIDING (S/P)
51	241514501	HANGER-BASKET, RH (S/P)
52	241514601	HANGER-BASKET, LH (S/P)
60	218362501	SCREW, HEX WASHER HEAD, 8-18AB X 1.250 (S/P)
62	241974602	PAN-MEAT (S/P)
81	5304455650	SCREW, HEX WASHER HEAD, 8-15A X 0.625 (S/P)
97	241532007	WATER TANK (S/P)
NI	241935558	ENERGY GUIDE (S/P)
NI	241781601	SEAL-RETURN AIR (S/P)
NI	240349801	CLIP-SLIDE, PAN-CRISPER (S/P)
NI	240362101	CLIP-SLIDE, COVER-CRISPER (S/P)
NI	241595202	CLIP-SLIDE, PAN-CRISPER (S/P)
100	240326304	COVER-WATER TANK (S/P)
101	218493101	SCREW, HEX WASHER HEAD, 8-18AB X 1-3/4 (S/P)
107	241753601	SHIELD-LIGHT, UPPER DESCONTINUADO
108	241513301	COVER-WIRING, MEAT PAN LIGHT (S/P)
109	241513202	BASE-CRISPER LIGHT SOCKET (S/P)
11A	240443358	SHELF-FREEZER, GLASS, UPPER (S/P)
120	241691701	SHELF-ICE CREAM (S/P)
121	241504701	RAIL-ICE CREAM SHELF, LH (S/P)
122	241504702	RAIL-ICE CREAM SHELF, RH (S/P)

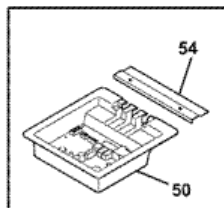
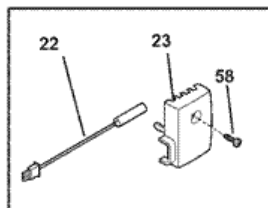
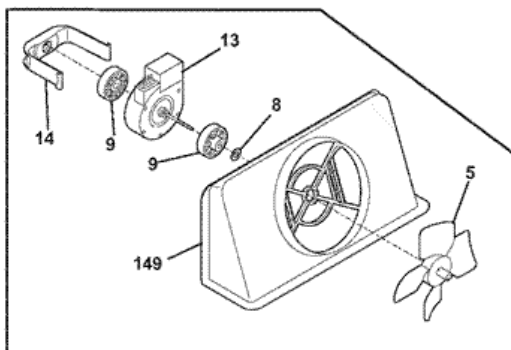
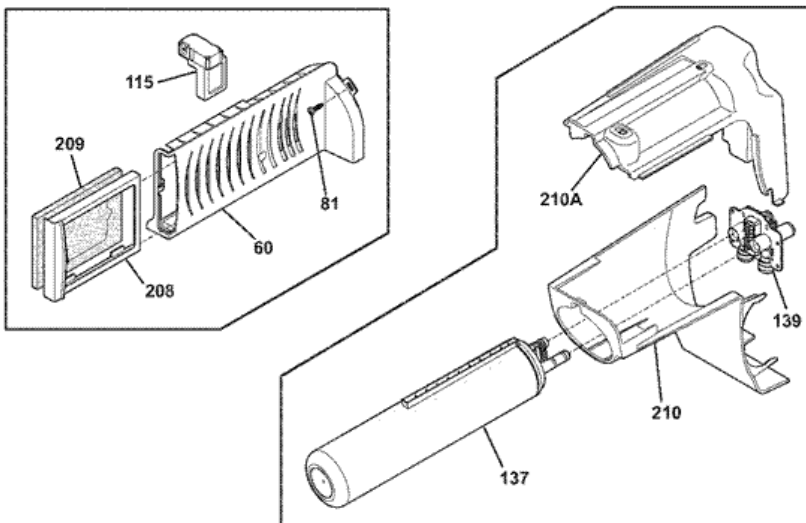
126	241674402	CHANNEL, AUGER MTG, RH (S/P)
126	241674401	CHANNEL, AUGER MTG, LH (S/P)
136	241657701	DISPENSER-CAN, WHITE (S/P)
140	241812501	CHANNEL, WTR TUBE COVER (S/P)
143	240423301	DIVIDER-CRISPER PAN (S/P)
24B	240424615	SHELF-`SPILL-SAFE`, `ASPECT`, COMPLETE (S/P)
25A	240350903	COVER-CRISPER PAN, LOWER (S/P)
25B	240599803	FRAME-MEAT PAN, CANTILEVER (S/P)
26A	241638201	CONTROL-HUMIDITY (S/P)
27A	240362201	CONTROL-HUMIDITY (S/P)
47A	240350603	INSERT-PAN COVER, GLASS (S/P)
47B	240443391	INSERT-PAN COVER, GLASS (S/P)
49A	241528001	BASKET-SLIDING, UPPER, HALF (S/P)
49B	241514901	BASKET-SLIDING, UPPER, FULL (S/P)
51A	241514701	HANGER-SHELF GLASS, RH (S/P)
51B	240579803	HANGER-BASKET, RH (S/P)
52A	241514801	HANGER-SHELF GLASS, LH (S/P)
52B	240579804	HANGER-BASKET, LH (S/P)
FNI	241797601	HARNESS-WIRING (S/P)
F107	241513402	SHIELD-LIGHT, MEAT PAN (S/P)
F108	241753701	HOUSING-LIGHT, UPPER, FRESH FOOD (S/P)
F26A	241638101	FRAME-HUMIDITY CONTROL (S/P)

Distribuidor Autorizado

SurteRápido.com

Venta de Refacciones
Electrodomesticas

FPHC2399KF1 CONTROLS





FPHC2399KF1 CONTROLS

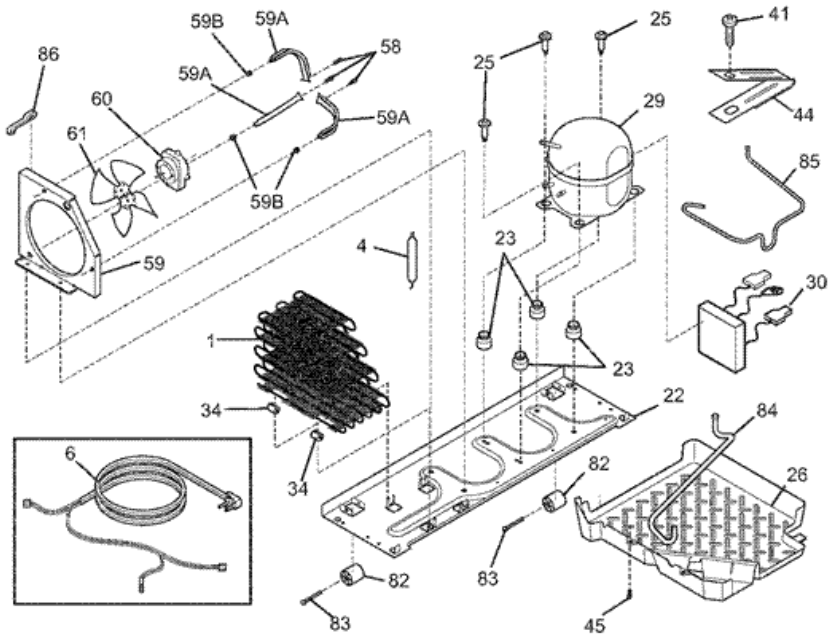
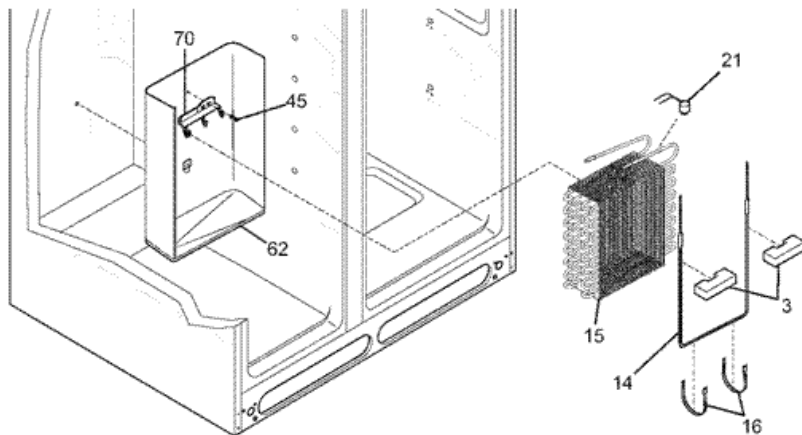
5	5308000010	FAN BLADE, RED, EVAPORATOR FAN (S/P)
8	215474201	WASHER, ``SLINGER``, NYLON (S/P)
9	241518301	BUSHING, MOTOR MOUNTING (S/P)
13	241509402	MOTOR, EVAPORATOR FAN (S/P)
14	241517701	CLIP, EVAP FAN MOTOR (S/P)
22	240597203	SENSOR (S/P)
23	241845401	HOUSING-SENSOR (S/P)
50	242000412	BOARD-MAIN POWER (S/P)
54	241532401	CHANNEL (S/P)
58	5304455650	SCREW, HEX WASHER HEAD, 8-15A X 0.625 (S/P)
60	242014301	HOUSING-DIFFUSER & AIR FILTER (S/P)
81	5304455658	SCREW, HX WSHR HD SEMS, 8-15A X 0.625 (S/P)
NI	241852501	CLIP, WIRING HARNESS (S/P)
NI	241867901	HARNESS-WIRING (S/P)
NI	3205266	EDGE PROTECTOR, WIRING HARNESS (S/P)
NI	241755501	INSULATION-AIR DUCT (S/P)
115	241853801	DAMPER ASSY, W/SEAL (S/P)
137	ULTRAWF	FILTER-WATER, CARBON
139	242009601	BASE-WATER FILTER (S/P)
149	241517601	SHROUD-EVAP FAN MTG (S/P)
208	241754301	SLEEVE, AIR FILTER, FRONT (S/P)
209	241754002	FILTER-AIR (S/P)
210	241983802	HOUSING-WATER FILTR (S/P)
F149	241528303	SEAL, FOAM, EVAP FAN ASSY (S/P)
F210	241998302	MOUNT-WATER FILTER (S/P)

Distribuidor Autorizado

SurteRápido.com

Venta de Refacciones
Electrodomesticas

FPHC2399KF1 SYSTEM



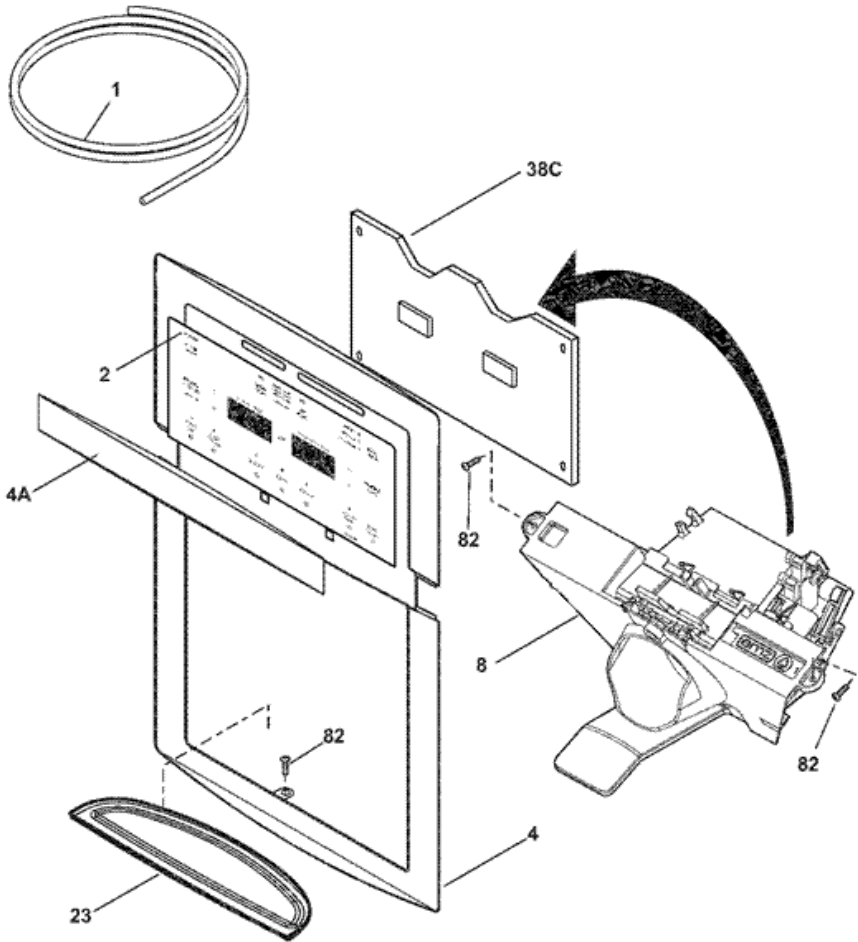


FPHC2399KF1 SYSTEM

1	242039202	CONDENSER (S/P)
3	218679607	BLOCK-EVAP COIL, STYROFOAM, (2) (S/P)
6	241516901	CORD-SERVICE (S/P)
16	5308000110	STRAP-EVAP/HEATER, ALUMINUM, (2) (S/P)
21	5303918214	THERMOSTAT-DEFROST, KIT
22	240330011	BASE-COMPRESSOR MTG (S/P)
23	218513300	GROMMET-COMPR MTG, (4) (S/P)
25	240491503	SCREW-COMPRESSOR MTG, 1/4-28 X 1.16, (4) (S/P)
26	241697501	PAN-DEFROST DRAIN (S/P)
34	240405201	GROMMET, RUBBER, BLACK, COND TUBE/WIRE (S/P)
41	240555002	SCREW-NO.8-32 X 3/8 (S/P)
44	5303001199	CLAMP-SERVICE CORD, STRAIN RELIEF, (S/P)
45	5304455650	SCREW, HEX WASHER HEAD, 8-15A X 0.625, (S/P)
58	240569201	SCREW, 8-18 X 0.500 (S/P)
59	240315506	SHROUD, COND FAN MOTOR (S/P)
60	241584301	MOTOR-CONDENSER FAN
61	241639501	BLADE-CONDENSER FAN (S/P)
62	5304481642	TROUGH-DRAIN (S/P)
70	218990801	BRACKET-EVAP/CVR MTG (S/P)
82	5304418225	ROLLER, COMPRESSOR BASE, REAR, (2) (S/P)
83	5304455655	RIVET, FLAT HEAD, 1/4 OD X 1-3/4, ROLLER PIN (S/P)
84	241957901	TUBE-DRAIN, LOWER (S/P)
85	241846302	TUBE-SUCTION, JUMPER (S/P)
86	240409302	SPACER-COND TUBE, BLACK (S/P)
F4	5303305677	DRIER-FILTER, R134A SYSTEM (S/P)
NI	218252201	SCREW, NO.8 TRUSS HD, 10-32CA X 0.500 (S/P)
NI	240346701	TAPE-FOAM SEAL, SHROUD (S/P)
NI	240359403	SCREW-FAN SHROUD, (2) (S/P)
NI	5303918222	HOT TUBE REPAIR KIT, SERVICE (S/P)
59A	240346501	BRACKET-SUPPORT, COND MTR, (3) (S/P)
59B	240346601	GROMMET-BRACKET, (3) (S/P)
F14	242044113	HEATER-DEFROST (S/P)
F15	5303918284	EVAPORATOR KIT (S/P)

F29	5304475104	COMPRESSOR KIT (S/P)
F30	241577505	INVERTOR (S/P)
FNI	5303918327	HEAT EXCHANGER KIT, SUCTION LINE (S/P)
FNI	241519902	HARNESS-WIRING (S/P)
FNI	241834902	HARNESS-WIRING, MACHINE COMPT (S/P)

**FPHC2399KF1 ICE & WATER
DISPENSER**





FPHC2399KF1 ICE & WATER DISPENSER

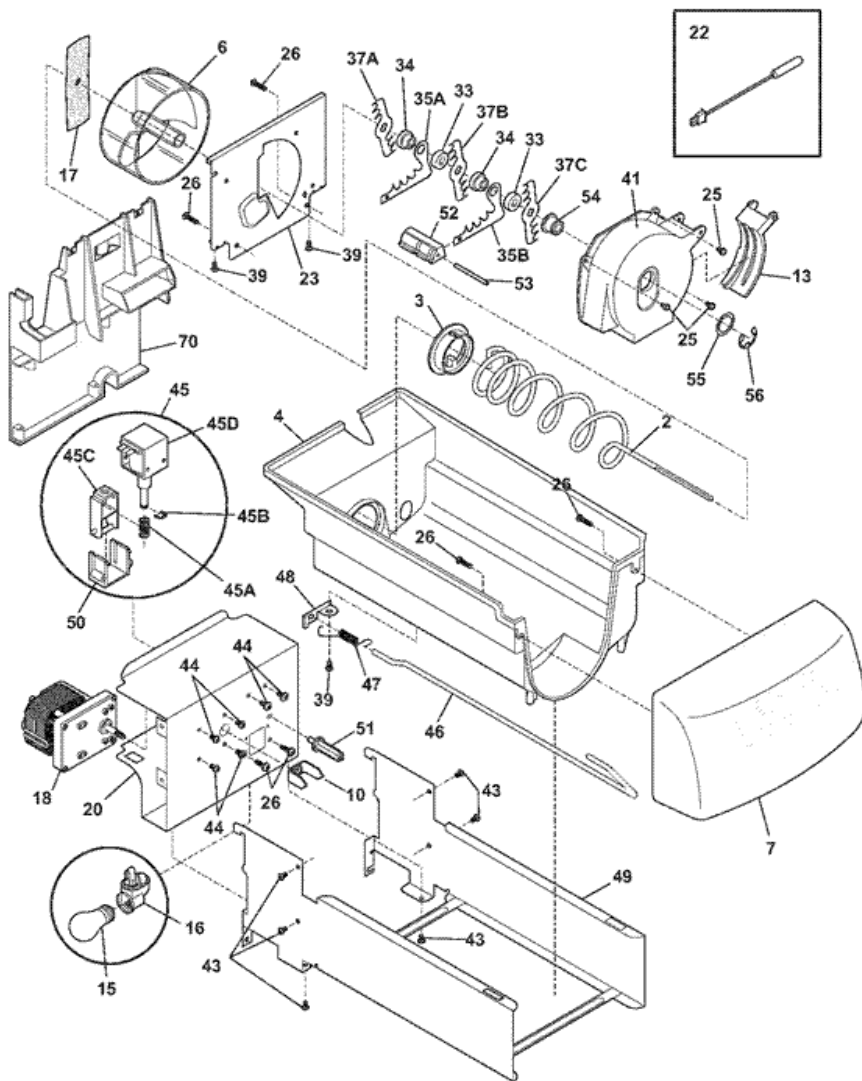
1	218976421	TUBE-WATER INLET, VALVE TO DOOR (S/P)
2	241973816	SWITCH ASSEMBLY, OVERLAY (S/P)
4	241946804	COVER-MODULE (S/P)
8	242074206	MODULE-DISPENSER, CLEAR (S/P)
23	241947006	DRIP TRAY (S/P)
4A	241946901	TRIM, FACADE (S/P)
82	240363402	SCREW-NO.8-18 X 1/2, NO.6 HD PLASK (S/P)
NI	218976915	TUBE-WATER INLET, INLET VALVE, TO FILTER (S/P)
NI	5303918371	DISPENSER HEATER KIT, 115 (S/P)
NI	218976429	TUBE-WATER INLET, 97.50``, BROWN/TAN (S/P)
NI	240561702	SEAL-WATER INLET, INLET VALVE, (S/P)
F38C	241973703	BOARD-CONTROL (S/P)

Distribuidor Autorizado

SurteRápido.com

Venta de Refacciones
Electrodomesticas

FPHC2399KF1 ICE CONTAINER





FPHC2399KF1 ICE CONTAINER

2	241684701	AUGER-ICE (S/P)
3	241685201	CAM-DRIVE (S/P)
4	241515202	CONTAINER-ICE, BUCKET ONLY (S/P)
6	241685101	DRUM-ICE DISP
7	241515302	FRONT-ICE CONTAINER (S/P)
10	241726501	BAR-DRIVE (S/P)
13	241885001	GATE (S/P)
15	241555401	LIGHT BULB (S/P)
16	241559801	SOCKET-LIGHT (S/P)
17	241684501	DRIVE BLADE (S/P)
20	241675502	COVER-MOTOR (S/P)
22	240597203	SENSOR (S/P)
23	241684001	PLATE-FRONT (S/P)
25	241690701	SCREW, HEX WASHER HEAD, 8-32 X 0.375 (S/P)
26	215503203	SCREW, CR PAN HD, 10-16 X 0.500 (S/P)
33	241684801	SPACER (S/P)
34	241689801	SPACER (S/P)
39	241690501	SCREW (S/P)
41	241885001	HOUSING-CRUSHER (S/P)
43	218359202	SCREW, PAN HEAD, 8-32 X 0.250 (S/P)
44	241842101	SCREW, 8-32 X 1/4 (S/P)
46	241684402	CONTROL ROD (S/P)
47	241731801	SPRING-CONTROL ROD (S/P)
48	241684602	BRACKET-CONTROL ROD (S/P)
49	241676501	RAIL ASSY (S/P)
50	241675601	GUIDE-SOLENOID (S/P)
51	241676301	ROTATION STOP (S/P)
52	241684901	SPACER-FIXED BLADES (S/P)
53	241690402	PIN-SPIRAL, FIXED BLADES (S/P)
54	241685001	NUT-AUGER (S/P)
55	241690306	WASHER (S/P)
56	241690201	E-RING (S/P)
70	241504601	PLATE-MOUNTING (S/P)

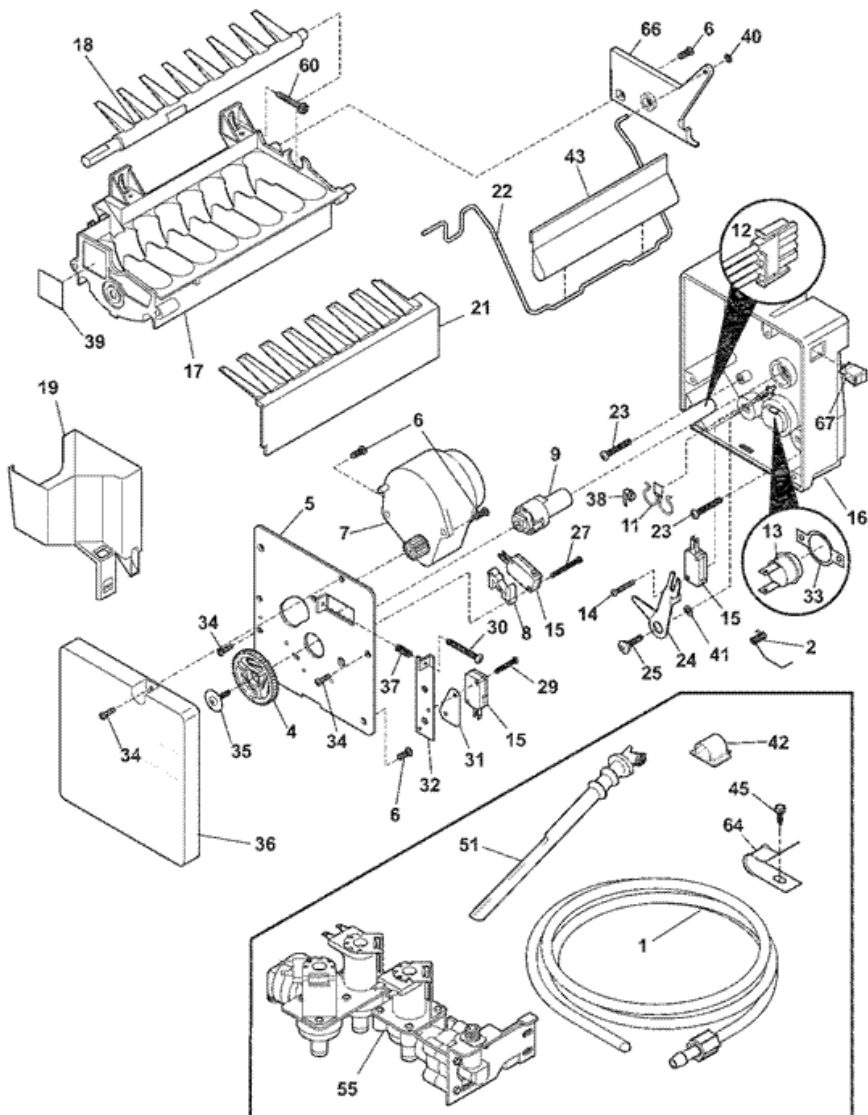
NI	241519401	CLIP, SENSOR (S/P)
NI	241551602	SCREW, HEX HEAD, 8-18B X 0.875 (S/P)
NI	215005101	SCREW, HANGER/RLR MTG, 8-10 X 7/16 (S/P)
NI	241522901	HARNESS-WIRING, ICMKR/CONTAINER (S/P)
NI	240562101	INSULATOR (S/P)
NI	241914703	ICE CONTAINER ASSY, W/MOVING PARTS (S/P)
NI	241716801	CLIP (S/P)
35A	241684301	FIXED BLADE, ROUND (S/P)
35B	241684201	FIXED BLADE, SQUARE (S/P)
37A	241684101	BLADE, CRUSHER NO.1 (S/P)
37B	241684102	BLADE, CRUSHER NO.2 (S/P)
37C	241684103	BLADE, CRUSHER NO.3 (S/P)
45A	241675901	SPRING-SOLENOID (S/P)
45B	241676001	E-RING-SOLENOID (S/P)
45C	241676101	ACTUATOR-SOLENOID (S/P)
F18	241676201	MOTOR-AUGER (S/P)
F45	241675701	SOLENOID ASSY, 115V (S/P)
F45D	241675801	SOLENOID, 115V (S/P)

Distribuidor Autorizado

SurteRápido.com

Venta de Refacciones
Electrodomesticas

FPHC2399KF1 ICE MAKER





FPHC2399KF1 ICE MAKER

1	218976421	TUBE-WATER INLET, VALVE TO DOOR (S/P)
2	5304456650	SPRING-SHUTOFF ARM, ICE MAKER (S/P)
4	5304458380	GEAR (S/P)
5	5304458383	PLATE-MOUNTING (S/P)
6	5304458386	SCREW (S/P)
8	5304458388	SPACER-HOLD SWITCH (S/P)
9	5304456662	CAM (S/P)
12	5304458379	HARNESS-WIRING (S/P)
13	5304456665	THERMOSTAT, ICE MAKER (S/P)
14	5304458384	SCREW (S/P)
16	5304458395	HOUSING, CONTROL (S/P)
17	5304456669	MOLD-ICE MAKER, W/THERM CUT OFF (S/P)
18	5304458377	EJECTOR-ICE (S/P)
19	5304458378	CUP-WATER INLET (S/P)
21	5304458390	ICE STRIPPER (S/P)
22	5304458375	SHUT-OFF ARM (S/P)
23	5304458394	SCREW (S/P)
24	5304458391	LEVER ARM (S/P)
25	5304456676	SCREW, M 4X12.8 NO.2, LEVER ARM/SPRT (S/P)
27	5304458385	SCREW (S/P)
29	5304458393	SCREW (S/P)
30	5304458387	SCREW (S/P)
31	5304458381	INSULATOR (S/P)
32	5304456681	PLATE-VALVE SWITCH (S/P)
33	5304456682	SPRING, TIMING ADJUST (S/P)
34	5304456684	SCREW, PLAZSCREW, 8-10 X 1/2, (3) (S/P)
35	5304456684	SCREW (S/P)
36	5304458376	COVER-ICE MAKER (S/P)
37	5304456682	SPRING-TIMING ADJ (S/P)
38	5304458398	CLIP (S/P)
39	5304458399	CONDUCTOR-HEAT (S/P)
40	5304458401	CLIP-RETAINER (S/P)
41	5304456689	WASHER, NYLON (S/P)

42	218515403	CLIP-GRILLE (S/P)
43	241720601	EXTENSION (S/P)
45	5304455650	SCREW, HEX WASHER HEAD, 8-15A X 0.625 (S/P)
51	241796402	TUBE-WATER FILL, EXTENSION (S/P)
60	5304455651	SCREW, HEX WASHER HEAD, 8-15A X 0.500 (S/P)
64	5304455846	CLAMP, .31 ID, STEEL, WATER TUBE (S/P)
66	5304458374	BRACKET-ICE MAKER (S/P)
67	5304458392	SWITCH-ON/OFF (S/P)
F7	5304458382	MOTOR-ICE MAKER SVO (S/P)
NI	218709101	SCREW, HEX HEAD, 10-32 X 0.500 (S/P)
NI	218976915	TUBE-WATER INLET, INLET VALVE, TO FILTER (S/P)
NI	240545201	CONNECTOR-WATER, STRAIGHT (S/P)
NI	240363602	SCREW-SHOULDER (S/P)
NI	240561702	SEAL-WATER INLET, INLET VALVE, (S/P)
NI	241522901	HARNESS-WIRING, ICMKR/CONTAINER (S/P)
NI	241583301	DEFLECTOR-AIR, ICE MAKER (S/P)
NI	530391844	ICE MAKER, RADIUS CUBE, 115 V, (S/P)
NI	5304458389	SCREW (S/P)
NI	218976429	TUBE-WATER INLET, 97.50``, BROWN/TAN (S/P)
F11	5304458400	THERMAL CUTOFF, ICE MAKER (S/P)
F15	5304456667	SWITCH-MICRO, (3) (S/P)
F55	241734301	VALVE-WATER, TRIPLE SOLENOID