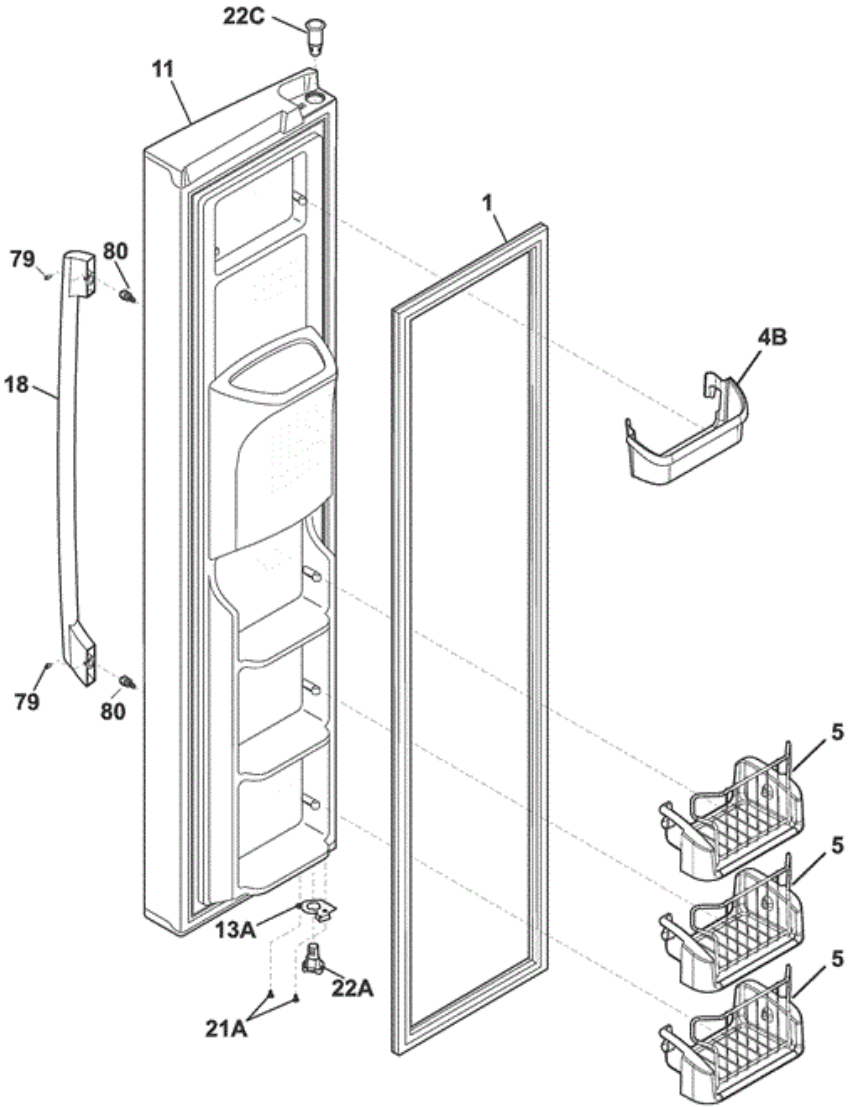


FPHS2699PF0 FREEZER DOOR



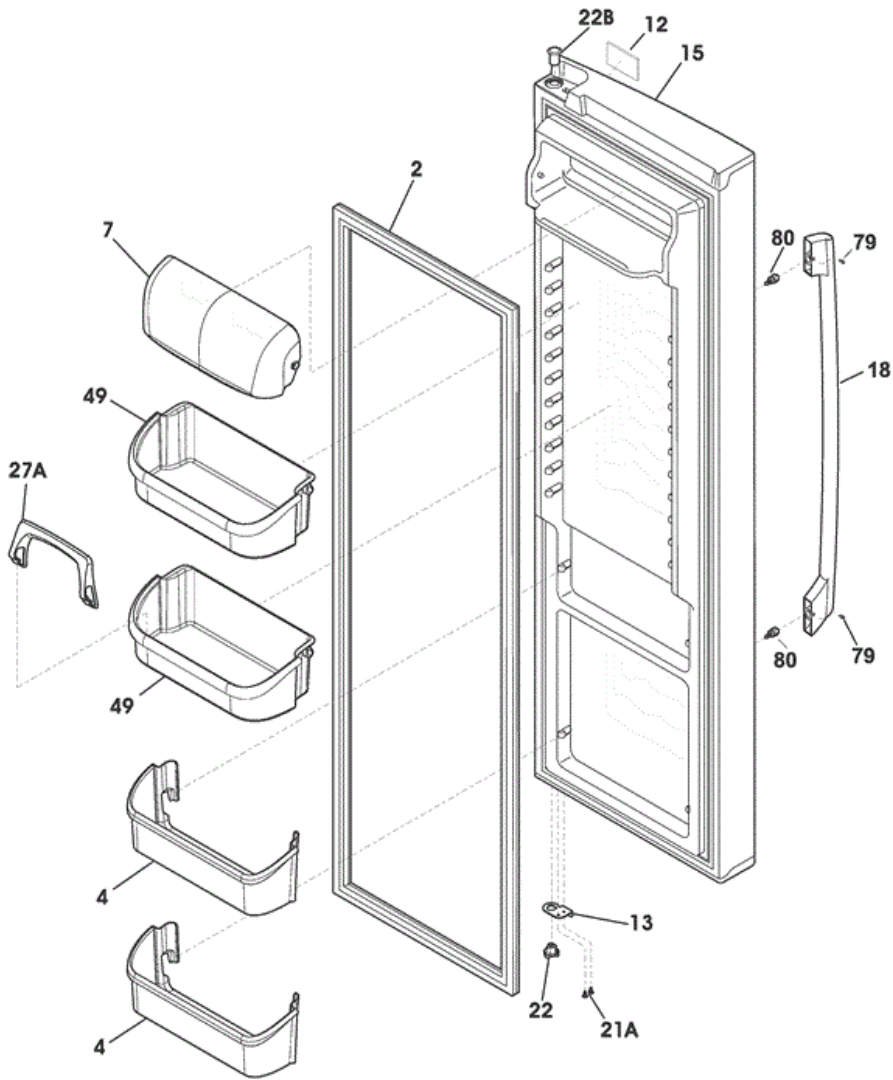


FPHS2699PF0 FREEZER DOOR

11	242178012	DOOR-FRZR,STAINLESS ,COMPLETE ASSY
13A	241990202	DOOR STOP,BLACK ,FRZR
18	241972501	HANDLE-DOOR,STAINLESS
21A	240442706	SCREW-NO.10-32 X 3/4,ZINC
22A	241990302	BEARING-HINGE(FRZ),CLOSER
22C	241760402	BEARING,HINGE ,TOP
4B	240334202	BIN-DOOR,FRZR-UPPER
5	241545005	BIN-TILT OUT,TILT-OUT
79	218755401	SCREW-SET,10-32 X 0.375
80	218755504	SCREW-SHOULDER,NO.10 AB ,HANDLE MOUNTING
F1	241786010	GASKET-FRZR DOOR,GREY ,MAGNETIC
FNI	242288101	HARNESS,WIRING ,DOOR
NI	240451503	SCREW,IND HEX WSHR HD ,8-32 X 0.375 ,TRILOBE
NI	241601002	WRENCH,ALLEN
NI	5303918371	DISPENSER HEATER KIT,115



FPHS2699PF0 REFRIGERATOR DOOR





FPHS2699PF0 REFRIGERATOR DOOR

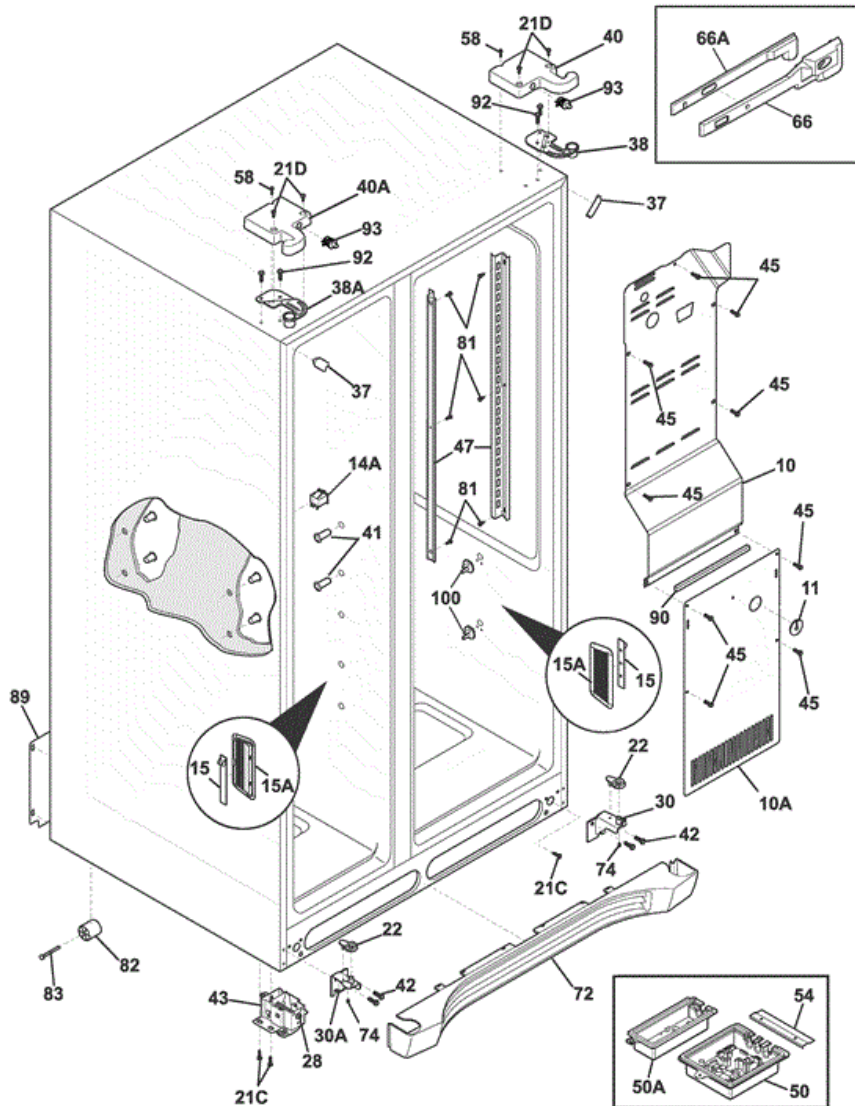
4	240323002	BIN-DOOR,PSEUDO ,CLEAR ,BOTTOM
7	240326203	DOOR-DAIRY
12	242015101	NAMEPLATE
13	241990201	DOOR STOP,BLACK ,REF
15	242178109	DOOR-REFR,STAINLESS ,COMPLETE
18	241972501	HANDLE-DOOR,STAINLESS
21A	240442706	SCREW-NO.10-32 X 3/4,ZINC
22	241990301	BEARING-HINGE,GRAY
22B	241760404	BEARING,HINGE ,TOP
27A	241812702	RETAINER,TALL BOTTLE
49	241808221	BIN-DOOR,GALLON
79	218755401	SCREW-SET,10-32 X 0.375
80	218755504	SCREW-SHOULDER,NO.10 AB ,HANDLE MOUNTING
F2	241786009	GASKET-REFR DOOR,GREY ,MAGNETIC
NI	241601002	WRENCH,ALLEN
NI	241780403	LINER,BIN,BIN

Distribuidor Autorizado

SurteRápido.com

Venta de Refacciones
Electrodomesticas

FPHS2699PF0 CABINET



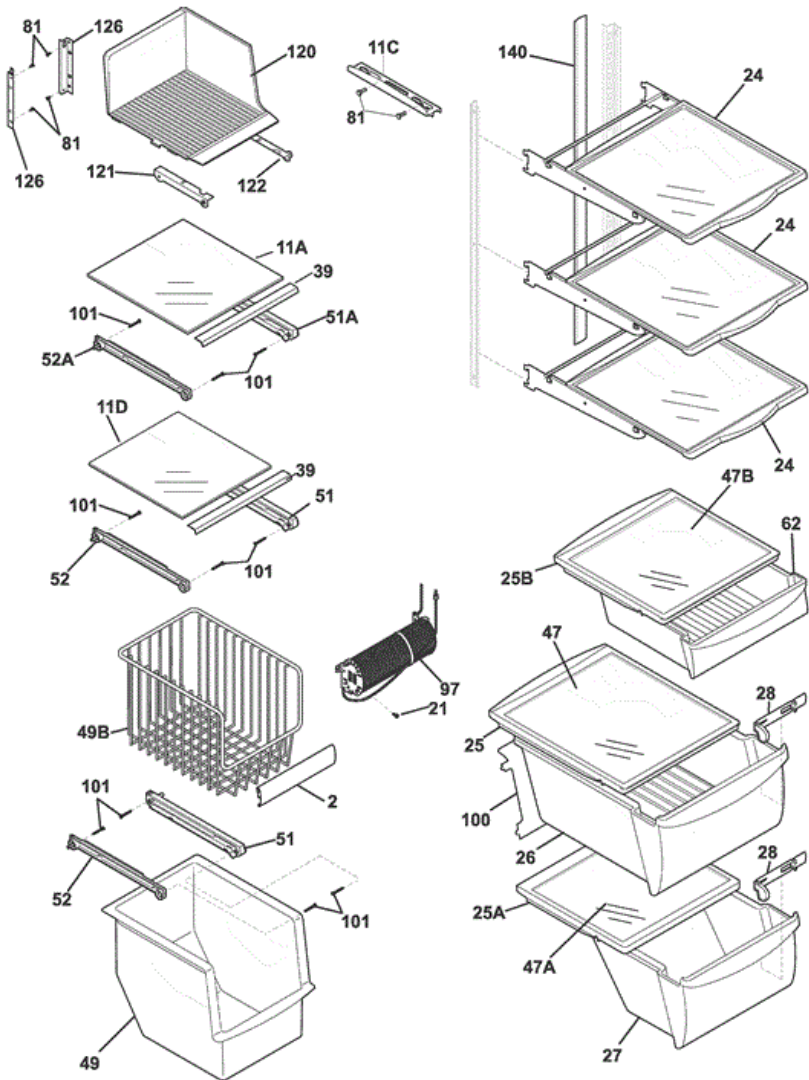


FPHS2699PF0 CABINET

10	240435914	COVER-AIR DUCT
10A	241719711	COVER-EVAP COIL,LOWER
11	5303208309	PLUG-HOLE, FACTORY TEST
15A	242202701	LENS,3 LED CLUSTER
21C	218252201	SCREW,NO.8 TRUSS HD ,10-32CA X 0.500
21D	218781101	SCREW,PAN HEAD ,8-18 X 0.625
22	241917801	PLATE-DOOR CLOSER
28	240335502	BOLT-ROLLER ADJ,HEX WASHER HEAD ,
30	241917901	BRACKET-LOWER HINGE,RH ,W/HINGE PIN
30A	241917902	BRACKET-LOWER HINGE,LH ,W/HINGE PIN
37	242161206	TRIM-CABINET CORNER,GRAY ,(2)
38	241761301	BRACKET-UPPER HINGE,RH
38A	241761302	BRACKET-UPPER HINGE,LH
40	241946709	COVER-UPPER HINGE,GRAY ,RH
40A	241946710	COVER-UPPER HINGE,GRAY ,LH
41	241550801	GROMMET-SHELF MTG,1.40` LONG
42	240578902	SCREW,HEX HEAD ,1/4-20 X 5/8
43	240335006	ROLLER ASSY,FRONT ,(2)
45	241500303	SCREW,HEX WASHER HEAD ,8-18AB X 1/2
47	241513001	CHANNEL-SHELF MTG,SIDE ,(2)
54	241532401	CHANNEL
58	241548003	SCREW,10-32 X 3/8
66	241756801	DAMPER-MEAT KEEPER
66A	241756901	HOUSING-DAMPER
72	241969405	GRILLE/KICKPLATE
74	218755402	SCREW-SET,10-32 X .500 IN
81	5304455650	SCREW,HEX WASHER HEAD ,8-15A X 0.625
82	5304418225	ROLLER,COMPRESSOR BASE ,REAR ,(2)
83	5304455655	RIVET,FLAT HEAD ,1/4 OD X 1-3/4 ,ROLLER PIN
89	241733902	COVER-ACCESS,W/LABEL
90	218249808	SEAL-COIL COVER
92	241710601	SCREW,HEX WASHER HD ,1/4 X 7/8 ,HINGE MTG
100	241993101	SUPPORT-CRISPER CVR

F100	241993001	SUPPORT-CRISPER CVR
F14A	241547901	SWITCH-LIGHT/LAMP,FRZR DOOR
F15	242196201	LIGHT BOARD,3 LED CLUSTER
F40A	241891901	HARNESS-WIRING,FREEZER
F50	242115254	BOARD-MAIN POWER,BOARD & HOUSING
F50A	241891610	POWER BOARD,LED
F50A	242285301	CLIP,RETAINER ,HARNESS
F93	241911705	SWITCH-LIGHT,GREY ,(2)
NI	241512807	SEAL
NI	241550701	GROMMET-SHELF MTG, .96`` LONG
NI	241781601	SEAL-RETURN AIR
NI	241835801	HARNESS-WIRING,REFRIGERATOR
NI	241852502	CLIP,RETAINER ,HARNESS
NI	241868101	AIR GUIDE
NI	241890601	LOUVER,AIR SUPPLY ,CRISPER
NI	242036802	CLIP,PLASTIC

FPHS2699PF0 SHELVES



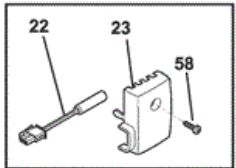
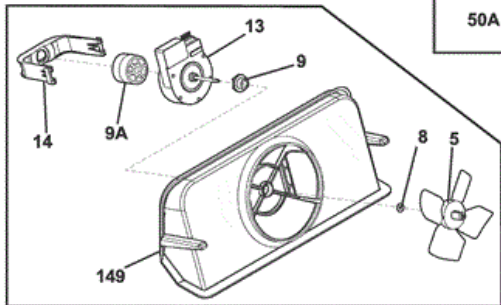
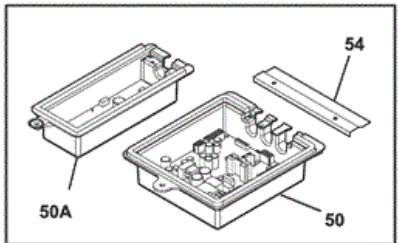
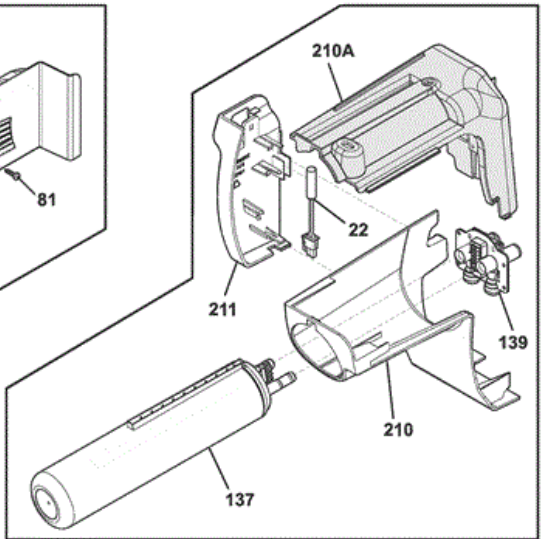
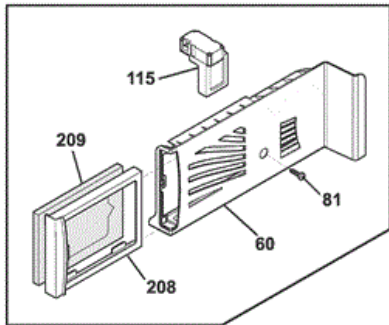


FPHS2699PF0 SHELVES

11A	240350604	SHELF-FREEZER,GLASS ,UPPER
11C	240324101	SHELF-PIZZA
11D	240350605	SHELF-FREEZER,GLASS ,LOWER
2	241510607	TRIM-BASKET
21	5304455658	SCREW,HX WSHR HD SEMS ,8-15A X 0.625
24	240350150	SHELF,SPILL-SAFE ,SLIDING ,CANTILEVER
25	240599301	COVER-CRISPER PAN,UPPER
26	240351061	PAN-CRISPER,UPPER
27	240351240	PAN-CRISPER,LOWER
28	240362201	CONTROL-HUMIDITY
39	240367602	TRIM-SHELF,FRONT
47	240350649	INSERT-PAN COVER,GLASS
100	240326304	COVER-WATER TANK
101	218493101	SCREW,HEX WASHER HEAD ,8-18AB X 1-3/4
120	241691901	SHELF-ICE CREAM
121	241561001	RAIL-ICE CREAM SHELF,LH
122	241692001	RAIL-ICE CREAM SHELF,LH
126	241674401	CHANNEL,AUGER MTG ,LH
126	241674402	CHANNEL,AUGER MTG ,RH
140	241812501	CHANNEL,WTR TUBE COVER
25A	240350903	COVER-CRISPER PAN,LOWER
25B	241969501	COVER-MEAT PAN
47A	240350603	INSERT-PAN COVER,GLASS
47B	240443384	INSERT-PAN COVER,GLASS
49	240564401	BASKET-SLIDING
49B	240530504	BASKET-SLIDING,UPPER ,FULL
51	240343002	HANGER-BASKET,RH
51A	240395502	HANGER-BASKET,RH
52	240343102	HANGER-BASKET,LH
52A	240395602	HANGER-BASKET,LH
62	241969601	PAN-MEAT
81	5304455650	SCREW,HEX WASHER HEAD ,8-15A X 0.625
97	241532007	WATER TANK

NI	240349801	CLIP-SLIDE,PAN
NI	240362101	CLIP-SLIDE,COVER
NI	241595202	CLIP-SLIDE,CRISPER
NI	241868101	AIR GUIDE
NI	242103001	CONNECTOR-WATER,STRAIGHT ,5/16 TO 5/16
NI	242146270	LABEL,ENERGY GUIDE
NI	242200101	CLIP,TUBING ,90 DEG ELBOW

FPHS2699PF0 CONTROLS





FPHS2699PF0 CONTROLS

5	5308000010	FAN BLADE,RED ,EVAPORATOR FAN
8	215474201	WASHER,``SLINGER`` ,NYLON ,EVAP FAN SHAFT
9	241563601	BUSHING-MOTOR MTG
14	242135301	CLIP ,EVAP FAN MOTOR ,EVAP FAN MOTOR
23	241845401	HOUSING-SENSOR
54	241532401	CHANNEL
58	5304455650	SCREW,HEX WASHER HEAD ,8-15A X 0.625
60	242287001	HOUSING,DIFFUSER , & AIR FILTER
81	5304455658	SCREW,HX WSHR HD SEMS ,8-15A X 0.625
115	241853801	DAMPER ASSY,W/SEAL
137	241791601	FILTER-WATER,CARBON
139	242009601	BASE-WATER FILTER
149	241563501	SHROUD-FAN ORFICE
208	241754301	SLEEVE,AIR FILTER ,FRONT
209	242047801	FILTER-AIR
210	241983812	HOUSING-WATER FILTR
211	242286201	COVER,WATER FILTER
9A	241845301	BUSHING-MOTOR MTG
F13	241509402	MOTOR,EVAPORATOR FAN
F149	241528306	SEAL,SHROUD
F210	240363402	SCREW,PLASK ,NO.8-18 X .500
F210	241998302	MOUNT-WATER FILTER
F22	240597203	SENSOR,(2)
F50	242115254	BOARD-MAIN POWER,BOARD & HOUSING
F50A	241891610	POWER BOARD,LED
F50A	242285301	CLIP,RETAINER ,HARNES
NI	241500303	SCREW,HEX WASHER HEAD ,8-18AB X 1/2
NI	241852502	CLIP,RETAINER ,HARNES
NI	241945101	INSULATION-AIR DUCT
NI	242036802	CLIP,PLASTIC

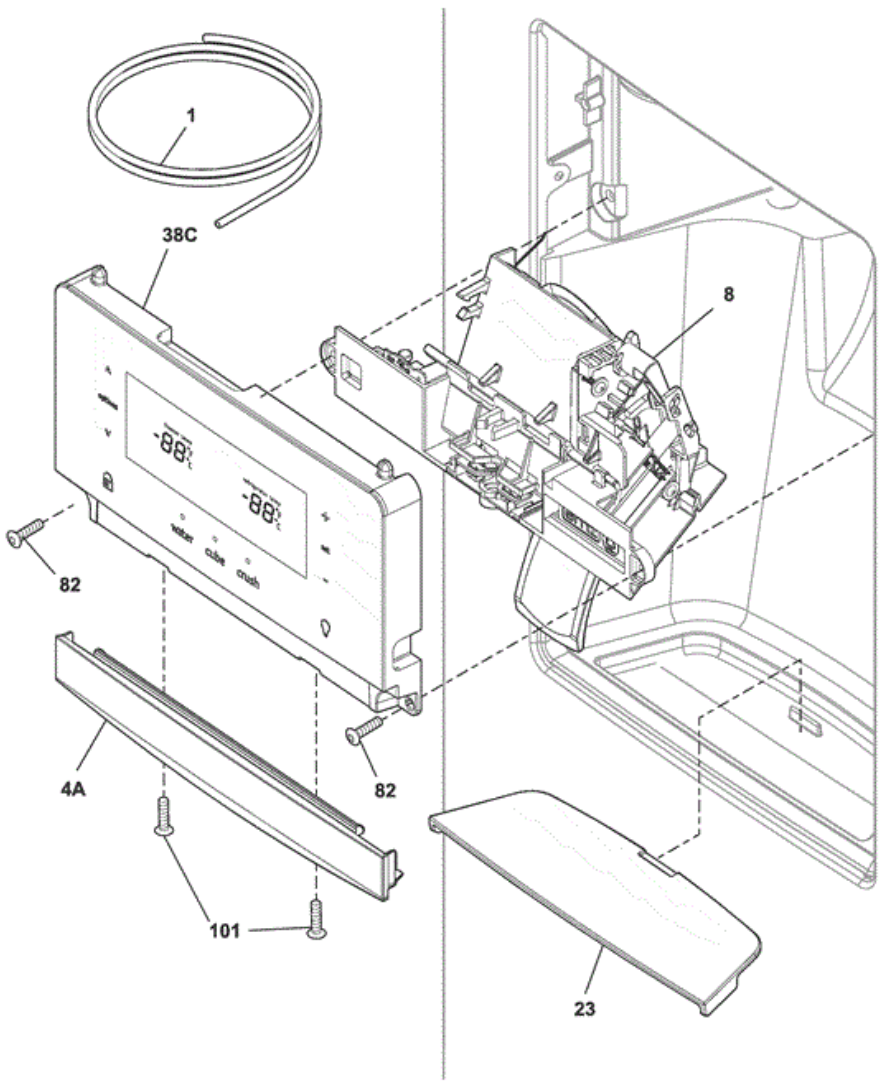


FPHS2699PF0 SYSTEM

3	218679614	BLOCK-EVAP COIL,STYROFOAM ,(2)
16	5308000110	STRAP-EVAP/HEATER,ALUMINUM ,(2)
22	240330012	BASE-COMPRESSOR
23	218513300	GROMMET-COMPR MTG,(4)
25	240491503	SCREW-COMPRESSOR MTG,1/4-28 X 1.16 ,(4)
26	241920606	PAN-DEFROST
32	241982601	CLIP,CONTROLLER ,COMPRESSOR
34	240405201	GROMMET,RUBBER ,BLACK ,COND TUBE/WIRE
41	240555002	SCREW-NO.8-32 X 3/8
44	215174700	CLAMP-SERVICE CORD, STRAIN RELIEF, GALV STEEL
45	5304455650	SCREW,HEX WASHER HEAD ,8-15A X 0.625
55	297286803	CAPACITOR-RUN
58	240569201	SCREW,8-18 X 0.500
59	241946106	SHROUD-COND FAN
61	241639501	BLADE-CONDENSER FAN
62	240429405	TROUGH-DRAIN
70	218990801	BRACKET-EVAP/CVR MTG
82	5304418225	ROLLER,COMPRESSOR BASE ,REAR ,(2)
83	5304455655	RIVET,FLAT HEAD ,1/4 OD X 1-3/4 ,ROLLER PIN
84	241830903	TUBE-DRAIN,LOWER
85	241856903	TUBE-CONNECTOR,SUCTION
86	240409302	SPACER-COND TUBE,BLACK
F1	242106605	CONDENSER
F14	242044113	HEATER-DEFROST
F15	5303918284	EVAPORATOR KIT
F21	5303918214	THERMOSTAT-DEFROST,KIT
F29	240550922	COMPRESSOR,W/O ELECTRICALS
F30	241941003	STARTER
F4	242047603	DRYER-FILTER
F6	241516901	CORD-SERVICE
F60	242018301	MOTOR-CONDENSER FAN
FNI	241519902	HARNESS-WIRING
FNI	242199602	HARNESS-WIRING,MACHINE COMPT

FNI	5303918327	HEAT EXCHANGER KIT,SUCTION LINE
NI	218252201	SCREW,NO.8 TRUSS HD ,10-32CA X 0.500
NI	218709101	SCREW,HEX HEAD ,10-32 X 0.500
NI	240346701	TAPE-FOAM SEAL,SHROUD
NI	240359403	SCREW-FAN SHROUD,(2)
NI	242036801	CLIP-TUBE,DRAIN
NI	5303918222	HOT TUBE REPAIR KIT,SERVICE

**FPHS2699PF0 ICE & WATER
 DISPENSER**





**FPHS2699PF0 ICE & WATER
DISPENSER**

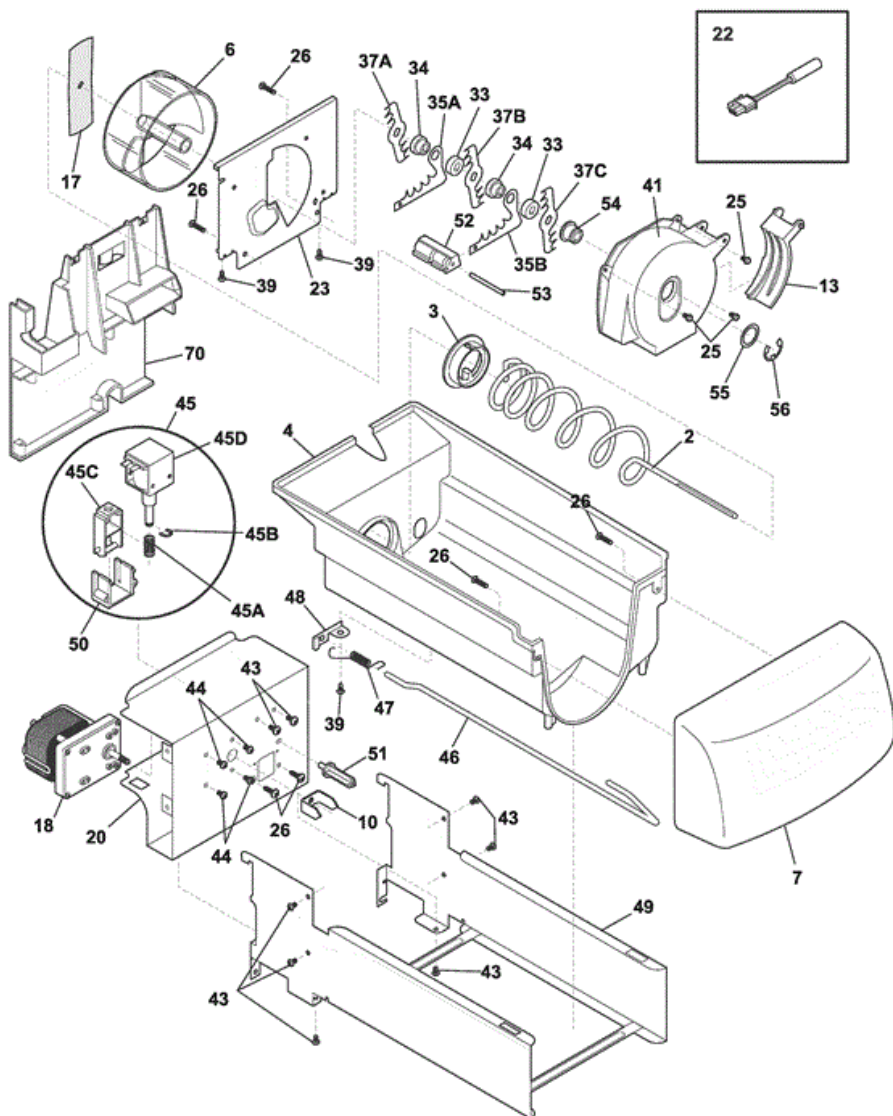
1	218976409	TUBE,WATER ,60`` ,NATURAL ,DOOR
23	242176503	SUMP,DISPENSER ,GREY
4A	242194301	TRIM,FACADE ,STAINLESS
82	240363403	SCREW,8-18 X 0.500 ,2
101	241953902	SCREW,NO.8 - 18 X .380 ,3
F38C	242058222	USER INTERFACE,ASSEMBLY ,GREY ,COMPLETE
F8	242074204	MODULE,DISPENSER ,CLEAR ,W/PADDLE
NI	218976419	TUBE-WATER INLET,5/16 - 34`` ,YELLOW ,
NI	218976429	TUBE-WATER INLET,5/16 - 97.50`` ,BROWN/TAN
NI	218976915	TUBE-WATER INLET,INLET VALVE ,TO I/M INLET
NI	240561703	SEAL-WATER INLET,INLET VALVE ,TO ICE MAKER
NI	5303918371	DISPENSER HEATER KIT,115

Distribuidor Autorizado

SurteRápido.com

Venta de Refacciones
Electrodomesticas

FPHS2699PF0 ICE CONTAINER





FPHS2699PF0 ICE CONTAINER

2	241716101	AUGER-ICE
3	241685201	CAM-DRIVE
4	241561302	CONTAINER-ICE,BUCKET ONLY
6	241685103	DRUM-ICE DISP
7	241561402	FRONT-ICE CONTAINER
10	241726501	BAR-DRIVE
13	241685301	GATE
17	241684501	DRIVE BLADE
20	241675507	COVER-MOTOR
22	240597203	SENSOR,(2)
23	241684001	PLATE-FRONT
25	241690701	SCREW,HEX WASHER HEAD ,8-32T X 0.375
26	215503205	SCREW,CR PAN HD ,10-16 X 0.500
33	241684801	SPACER
34	241689801	SPACER
35A	241684301	FIXED BLADE,ROUND
35B	241684201	FIXED BLADE,SQUARE
37A	241684101	BLADE,CRUSHER NO.1
37B	241684102	BLADE,CRUSHER NO.2
37C	241684103	BLADE,CRUSHER NO.3
39	241690501	SCREW
41	241685601	HOUSING-CRUSHER
43	215005101	SCREW,HANGER/RLR MTG ,8-10 X 7/16
44	218359202	SCREW,PAN HEAD ,8-32 X 0.250
45	241675701	SOLENOID ASSY,115V
45A	241675902	SPRING-SOLENOID
45B	241676001	E-RING-SOLENOID
45C	241676101	ACTUATOR-SOLENOID
45D	241675801	SOLENOID,115V
46	241716002	CONTROL ROD
47	241731801	SPRING-CONTROL ROD
48	241684602	BRACKET-CONTROL ROD
49	241734501	RAIL ASSY

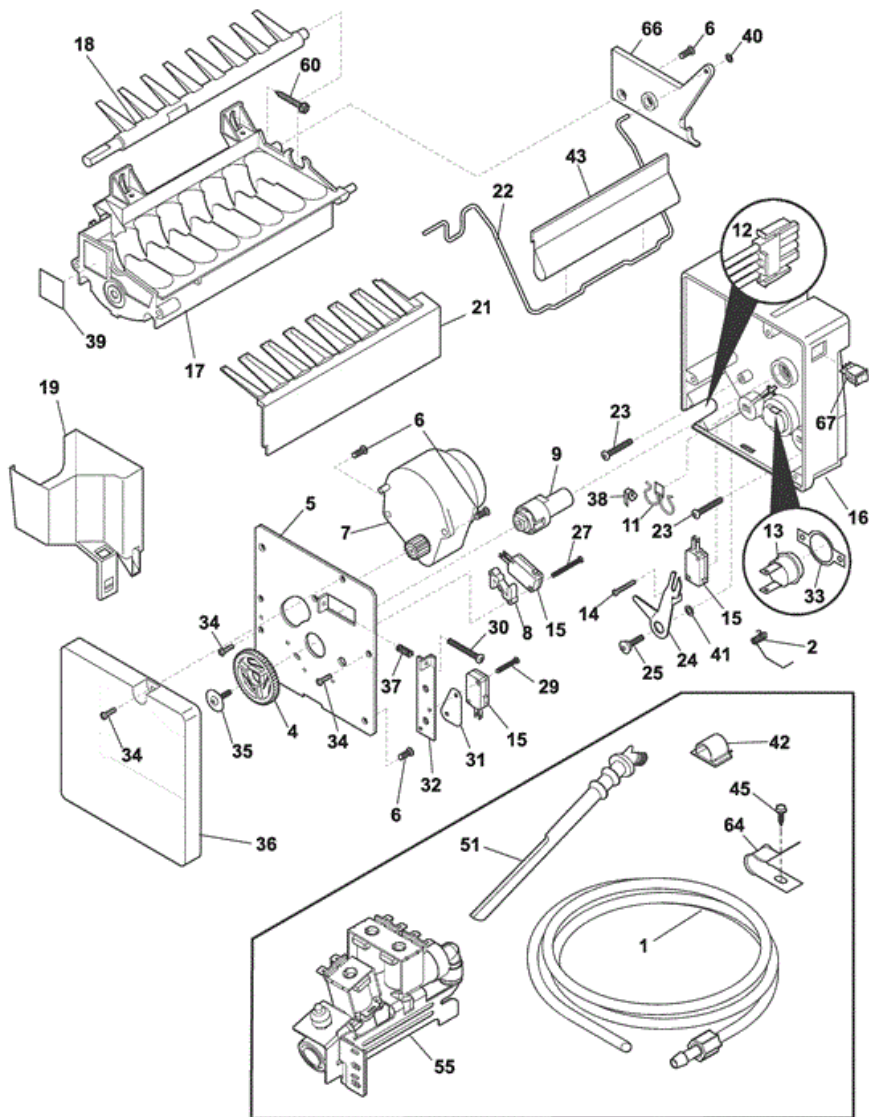
50	241675601	GUIDE-SOLENOID
51	241676301	ROTATION STOP
52	241684901	SPACER-FIXED BLADES
53	241690402	PIN-SPIRAL, FIXED BLADES
54	241685001	NUT-AUGER
55	241690306	WASHER
56	241690201	E-RING
70	241561502	PLATE-MOUNTING
F18	241676201	MOTOR-AUGER
FNI	242150301	HARNESS-WIRING, ICMKR/CONTAINER
NI	240555002	SCREW-NO.8-32 X 3/8
NI	241519401	CLIP, SENSOR
NI	241551602	SCREW, HEX HEAD ,8-18B X 0.875
NI	241587402	DEFLECTOR-ICE
NI	241716801	CLIP
NI	241842101	SCREW, 8-32 X 1/4
NI	241860810	ICE CONTAINER ASSY, W/MOVING PARTS
NI	5304455651	SCREW, HEX WASHER HEAD ,8-15A X 0.500

Distribuidor Autorizado

SurteRápido.com

Venta de Refacciones
Electrodomesticas

FPHS2699PF0 ICE MAKER





FPHS2699PF0 ICE MAKER

1	218976409	TUBE,WATER ,60`` ,NATURAL ,DOOR
2	5304436616	SPRING,TORSION
4	5304458380	GEAR
5	5304458383	PLATE-MOUNTING
6	5304458386	SCREW
8	5304458388	SPACER-HOLD SWITCH
9	5304456662	CAM
12	5304458379	HARNESS-WIRING
13	5304456665	THERMOSTAT,ICE MAKER
14	5304458384	SCREW
16	5304458395	HOUSING,CONTROL
17	5304456669	MOLD-ICE MAKER,W/THERM CUT OFF
18	5304458377	EJECTOR-ICE
19	5304458378	CUP-WATER INLET
21	5304458390	ICE STRIPPER
22	5304458375	SHUT-OFF ARM
23	5304458394	SCREW
24	5304458391	LEVER ARM
25	5304456676	SCREW,M 4X12.8 NO.2 ,LEVER ARM/SPRT
27	5304458385	SCREW
29	5304458393	SCREW
30	5304458387	SCREW
31	5304458381	INSULATOR
32	5304456681	PLATE-VALVE SWITCH
33	5304458403	RETAINER-THERMOSTAT
34	5304455684	SCREW,PLAZSCREW ,8-10 X 1/2 ,(3)
35	5304456684	SCREW
36	5304458376	COVER-ICE MAKER
37	5304408583	SPRING-TIMING ADJ
38	5304458398	CLIP
39	5304458399	CONDUCTOR-HEAT
40	5304458401	CLIP-RETAINER
41	5304456689	WASHER,NYLON

42	218515403	CLIP-GRILLE
43	241720601	EXTENSION
45	241500303	SCREW,HEX WASHER HEAD ,8-18AB X 1/2
51	241796403	TUBE-WATER FILL,EXTENSION
60	218362501	SCREW,HEX WASHER HEAD ,8-18AB X
64	5303001549	CLAMP,0.31 ID ,STEEL ,COPPER WTR LINE
66	5304458374	BRACKET-ICE MAKER
67	5304458392	SWITCH-ON/OFF
F11	5304458400	THERMAL CUTOFF,ICE MAKER
F15	5304456667	SWITCH-MICRO,(3)
F55	242252702	VALVE,SOLENOID ,TRIPLE
F7	5304458382	MOTOR-ICE MAKER SVO
FNI	241709801	ICE MAKER,RADIUS CUBE ,115 V ,NO INSTL PARTS
FNI	242150301	HARNESS-WIRING,ICMKR/CONTAINER
NI	218709101	SCREW,HEX HEAD ,10-32 X 0.500
NI	218976419	TUBE-WATER INLET,5/16 - 34` ,YELLOW
NI	218976429	TUBE-WATER INLET,5/16 - 97.50` ,BROWN/TAN
NI	218976915	TUBE-WATER INLET,INLET VALVE ,TO I/M INLET
NI	240363602	SCREW-SHOULDER
NI	240561703	SEAL-WATER INLET,INLET VALVE ,TO ICE MAKER
NI	241583301	DEFLECTOR-AIR,ICE MAKER
NI	241587402	DEFLECTOR-ICE
NI	5304458389	SCREW